



US00D411645S

United States Patent [19] Perkins

[11] **Patent Number: Des. 411,645**

[45] **Date of Patent: ** Jun. 29, 1999**

[54] **ASH TRAY**

D. 392,408	3/1998	Perkins	D27/103
D. 396,324	7/1998	Perkins	D27/135
1,968,118	7/1934	Ausbrooks	131/231

[75] Inventor: **David R. Perkins**, Manchester, Mass.

[73] Assignee: **Glass Dimensions, Inc.**, Essex, Mass.

[**] Term: **14 Years**

Primary Examiner—Susan J. Lucas
Assistant Examiner—Jennifer Rivard
Attorney, Agent, or Firm—Cesari and McKenna, LLP

[21] Appl. No.: **29/079,915**

[57] **CLAIM**

[22] Filed: **Aug. 8, 1997**

The ornamental design for an ash tray, as show and described.

[51] **LOC (6) Cl.** **27-03**

DESCRIPTION

[52] **U.S. Cl.** **D27/135**

[58] **Field of Search** 131/241, 240.1,
131/237, 231, 187; D27/128, 134, 135,
137, 138, 102, 103, 122

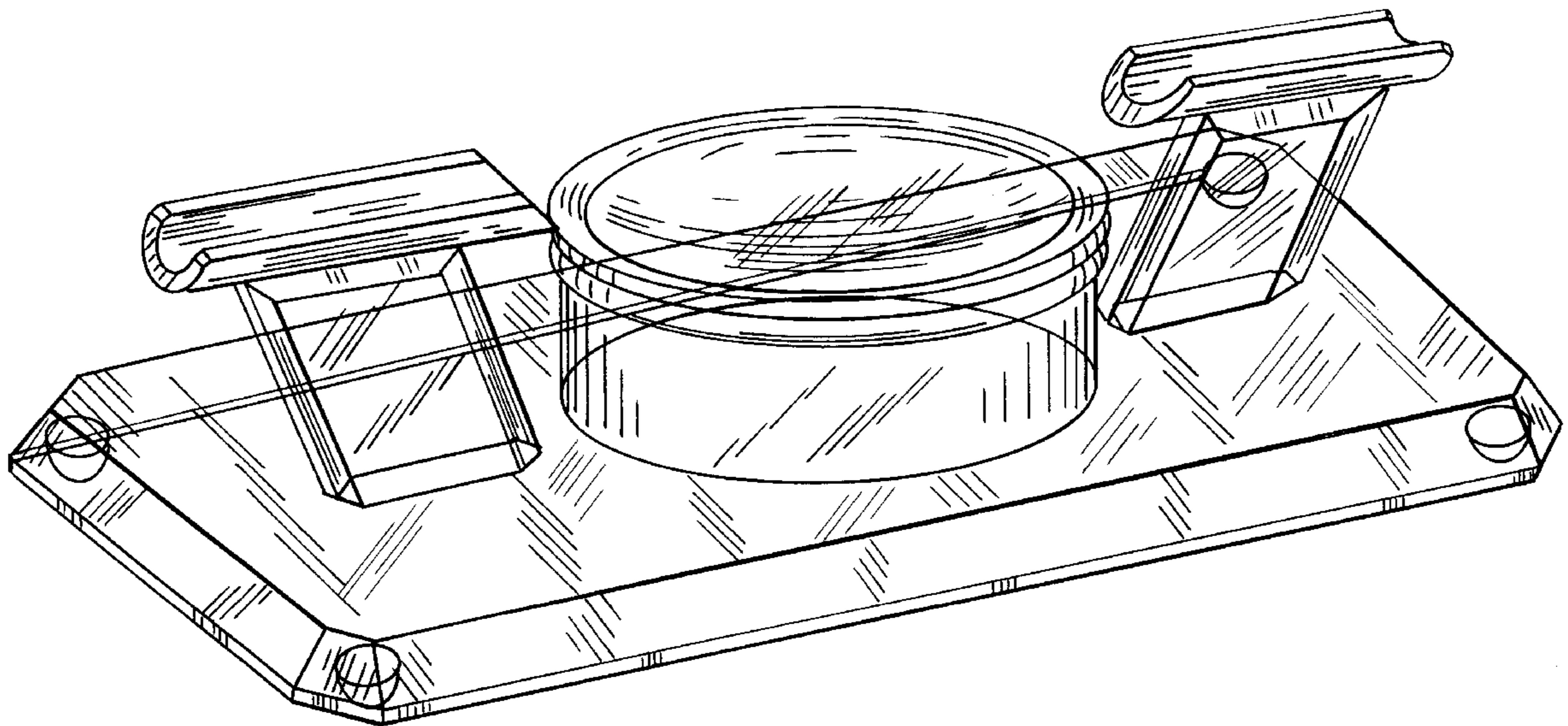
FIG. 1 is a right front perspective view of a rectangular ash tray showing my new design;
FIG. 2 is a rear elevational view thereof;
FIG. 3 is a left side elevational view thereof the right side being a mirror image of the left side;
FIG. 4 is a top plan view thereof; and,
FIG. 5 is a bottom plan view on a smaller scale thereof.

[56] **References Cited**

U.S. PATENT DOCUMENTS

D. 217,942	6/1970	Angetakos	D27/135
D. 241,858	10/1976	Vrignaud	D27/134

1 Claim, 4 Drawing Sheets



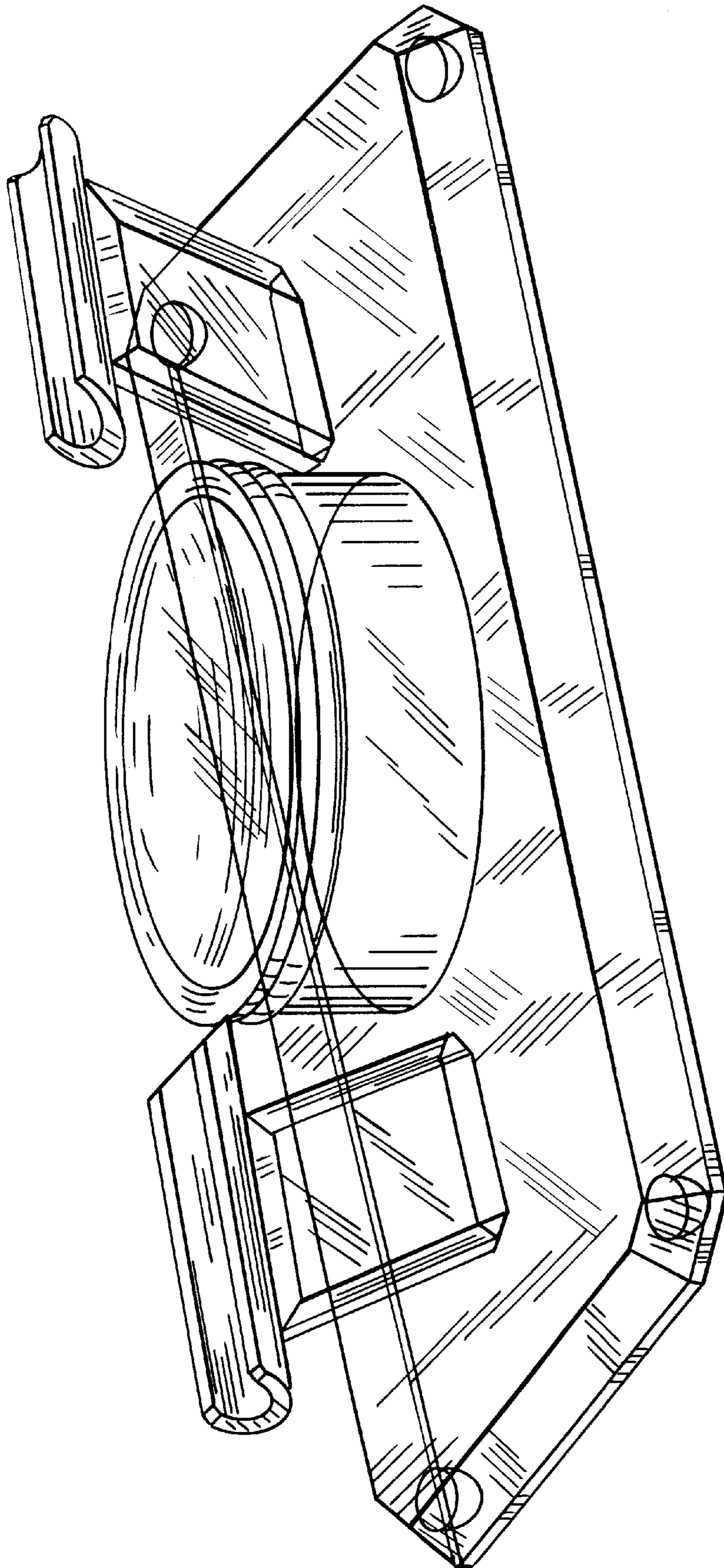


FIG. 1

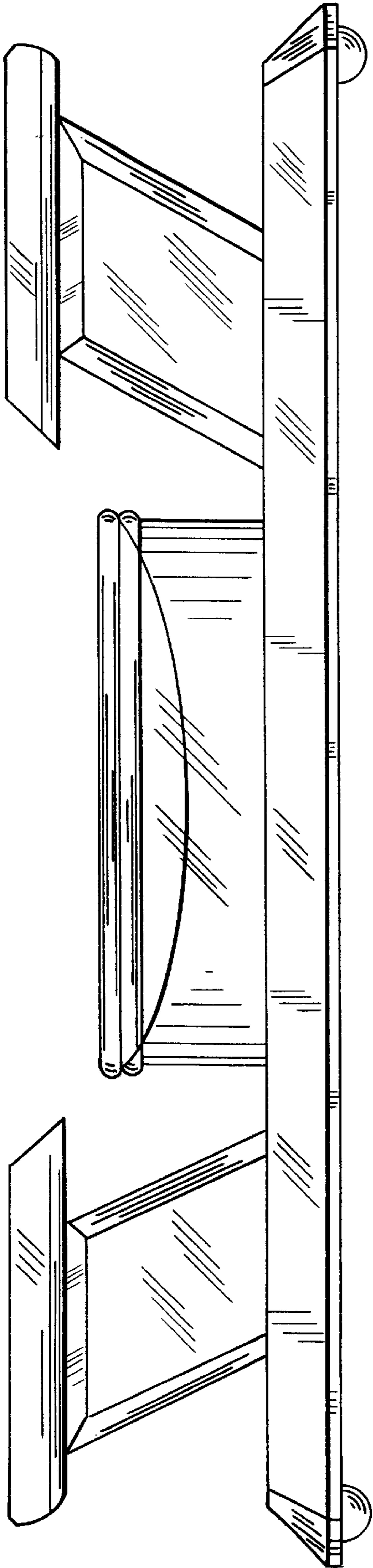


FIG. 2

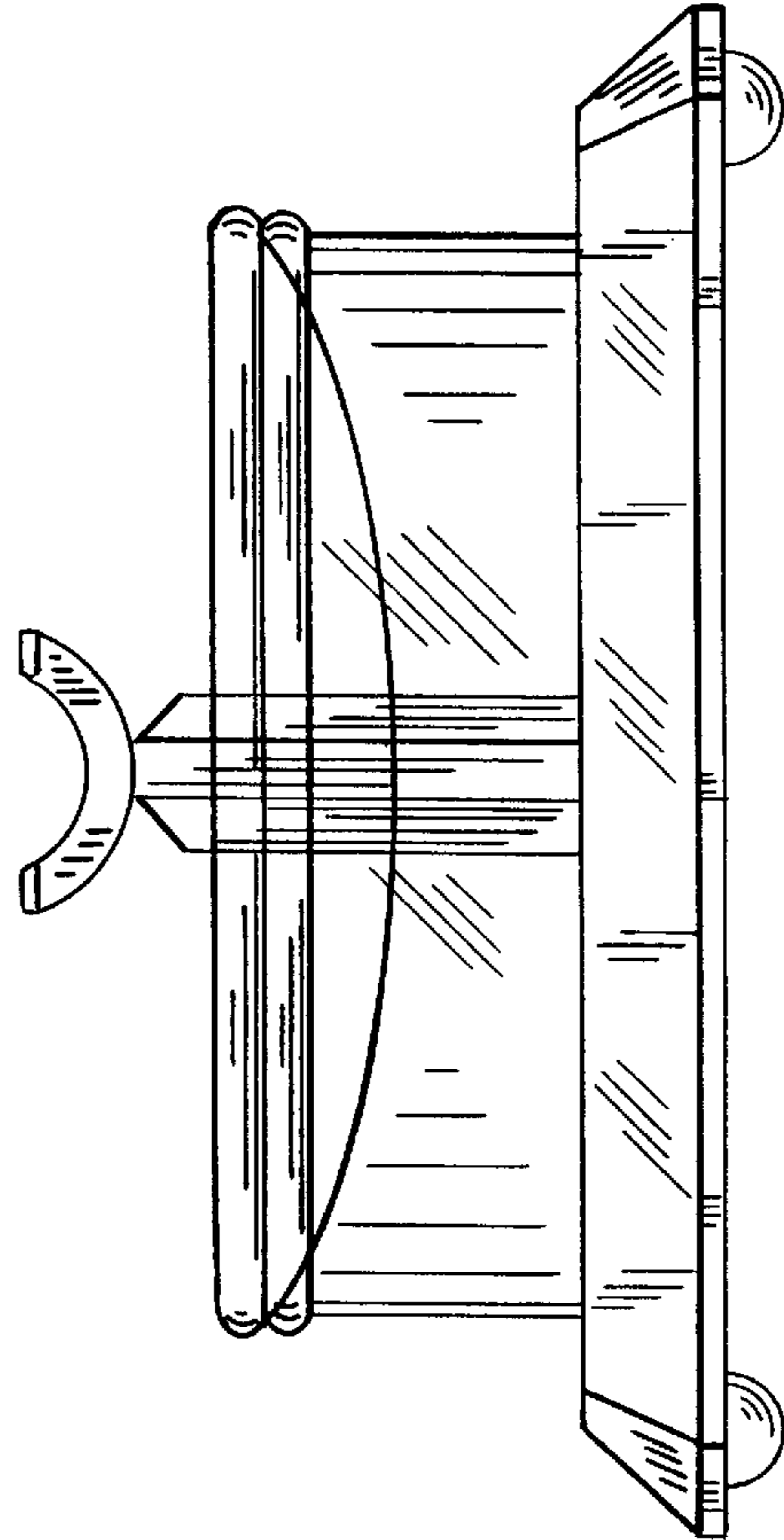


FIG. 3

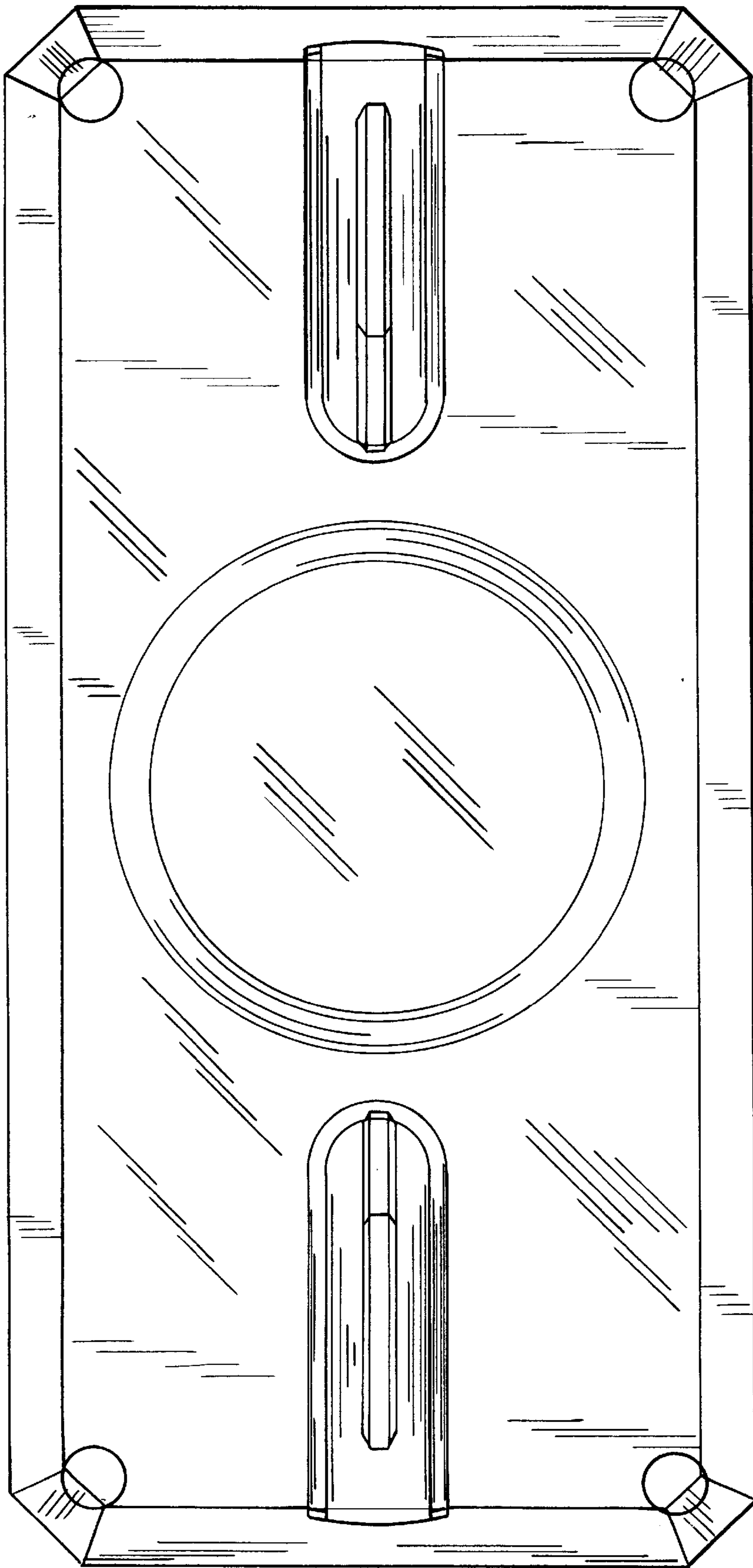


FIG. 4

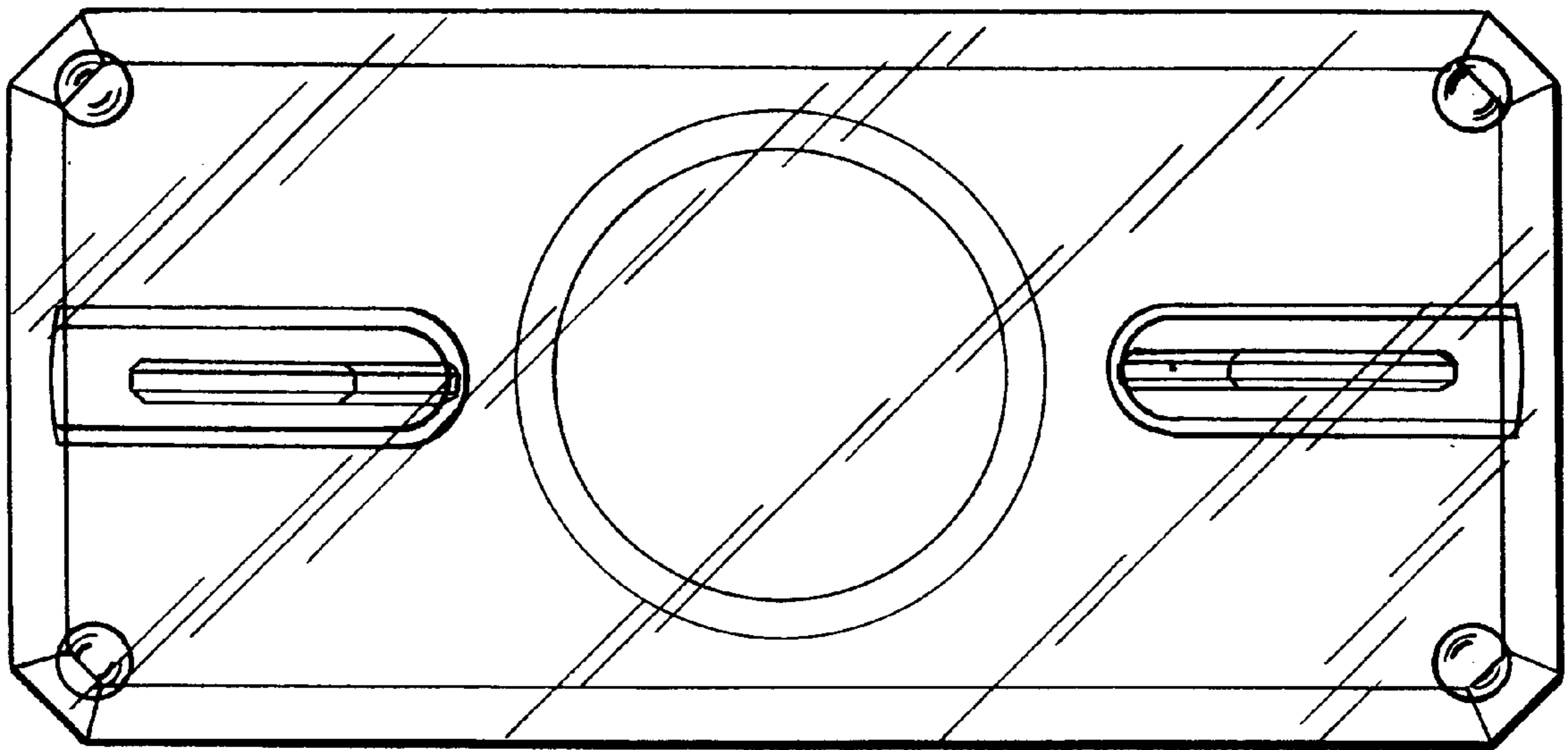


FIG. 5