



US00D411642S

# United States Patent [19] Von Kluck

[11] Patent Number: **Des. 411,642**

[45] Date of Patent: **\*\* Jun. 29, 1999**

[54] **CHANDELIER**

[75] Inventor: **Kevin Von Kluck**, Hudson, Ohio

[73] Assignee: **The L.D. Kichler Co.**, Cleveland, Ohio

[\*\*] Term: **14 Years**

[21] Appl. No.: **29/086,442**

[22] Filed: **Apr. 13, 1998**

[51] **LOC (6) Cl.** ..... **26-05**

[52] **U.S. Cl.** ..... **D26/84**

[58] **Field of Search** ..... D26/72, 80, 81,  
D26/82, 83, 84, 85, 86, 88, 89, 90, 142,  
143, 144; 362/147, 404-408

[56] **References Cited**

**U.S. PATENT DOCUMENTS**

D. 372,552 8/1996 Porter ..... D26/81  
D. 381,108 7/1997 Hsu ..... D26/84

**OTHER PUBLICATIONS**

Illuminating Experiences catalog, p. 5, chandelier #166WH,  
Oct. 1995.  
Progress Lighting catalog, p. 31, chandelier #P4014-10,  
1990.

*Primary Examiner*—Susan J. Lucas  
*Attorney, Agent, or Firm*—Watts, Hoffmann, Fisher &  
Heinke, Co., L.P.A.

[57] **CLAIM**

I claim the ornamental design for a chandelier, as shown and described.

**DESCRIPTION**

FIG. 1 is a perspective view of the chandelier showing my new design;

FIG. 2 is a front elevational view of the chandelier, the rear elevational view being a mirror image;

FIG. 3 is a left side elevational view of the chandelier;

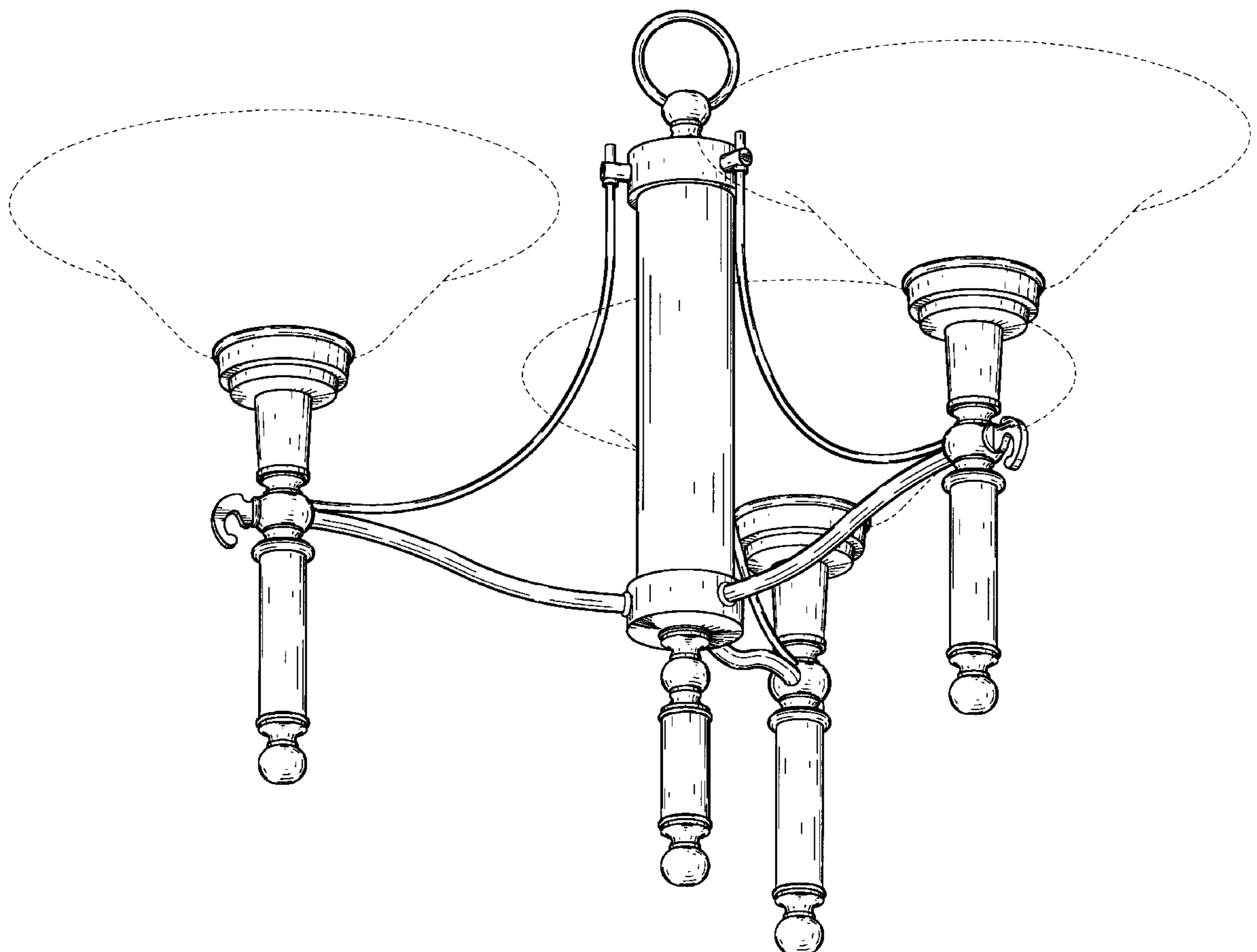
FIG. 4 is a right side elevational view of the chandelier;

FIG. 5 is a top plan view of the chandelier; and,

FIG. 6 is a bottom plan view of the chandelier.

The broken lines shown are for illustrative purposes only and form no part of the claimed design.

**1 Claim, 6 Drawing Sheets**



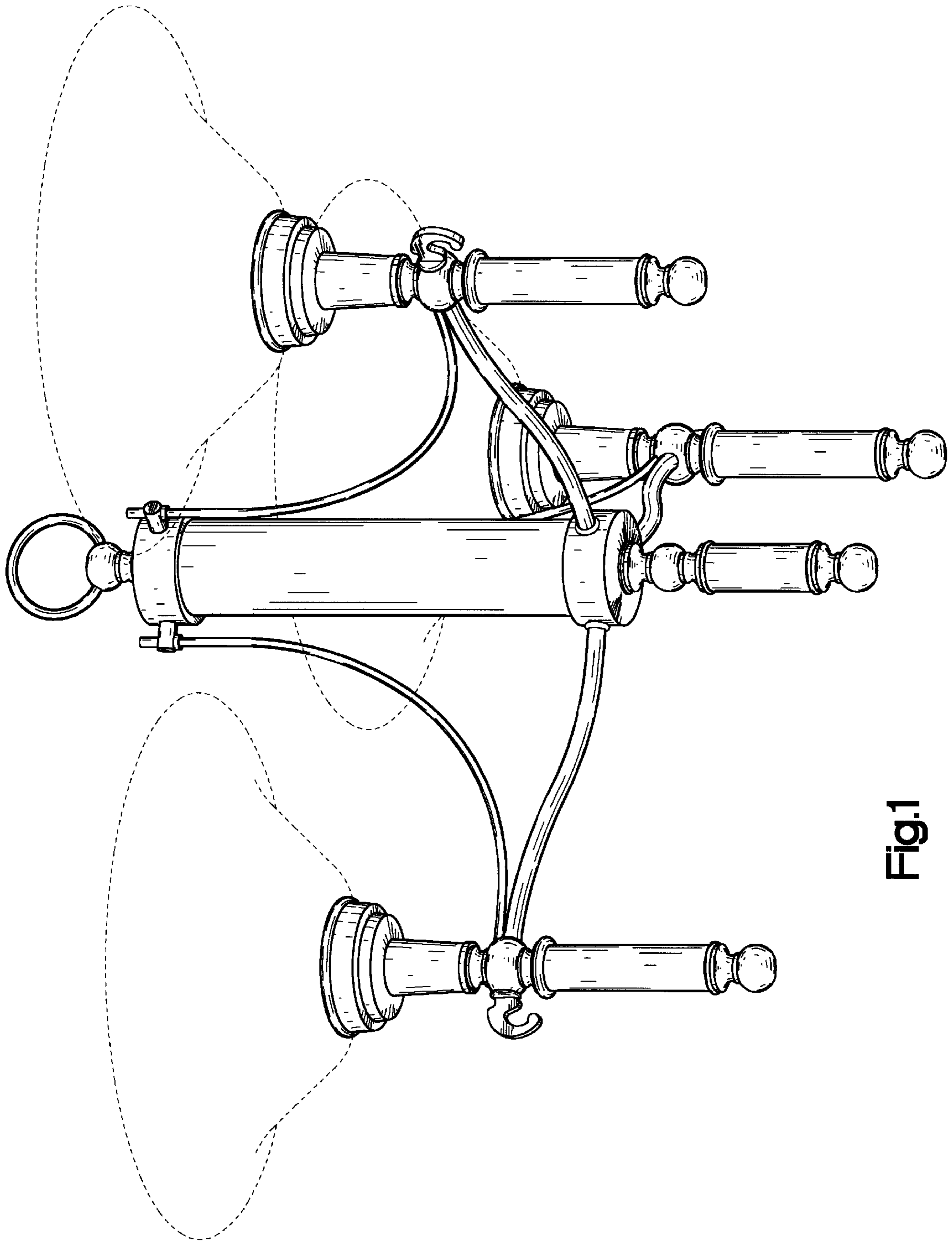


Fig. 1

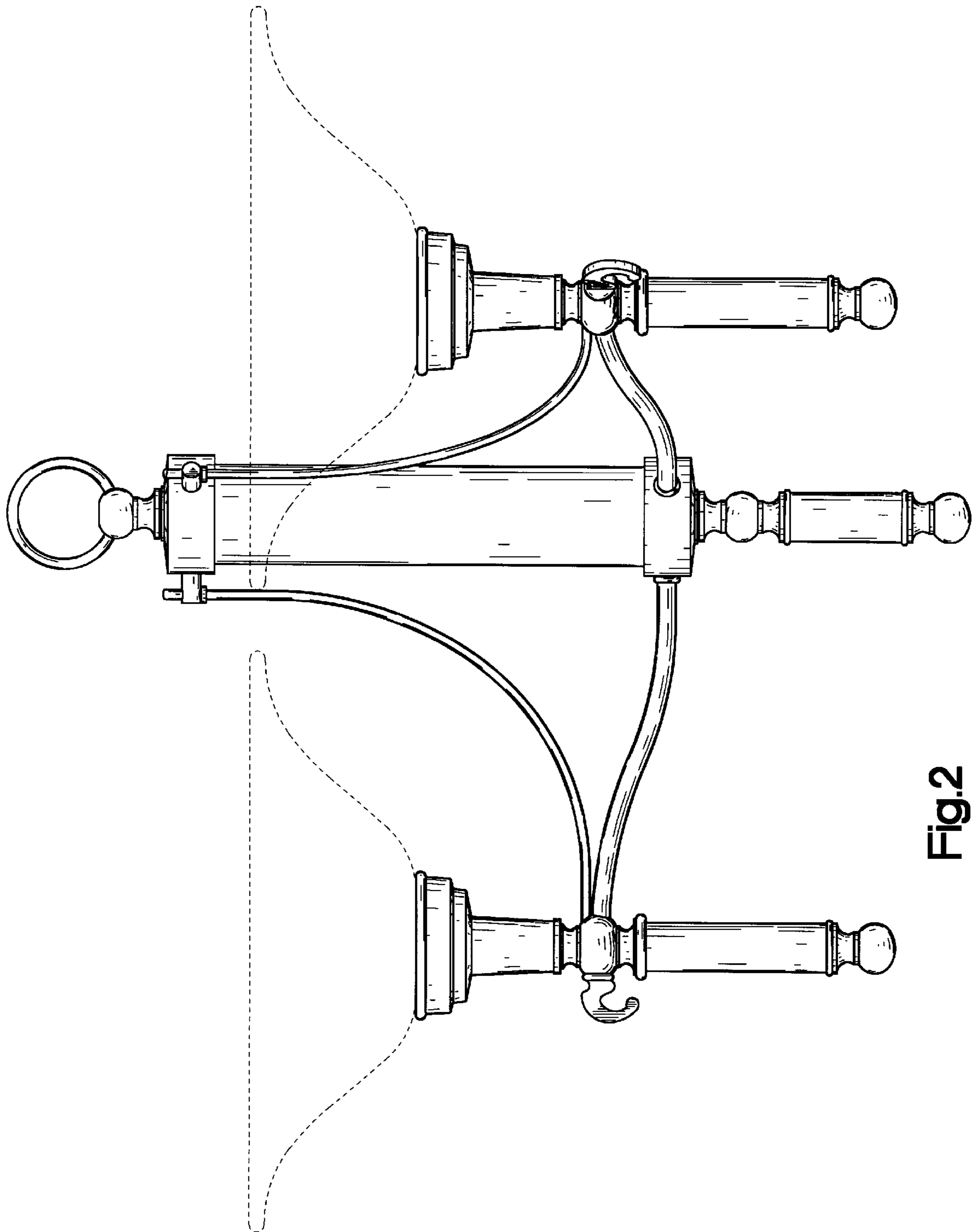


Fig. 2

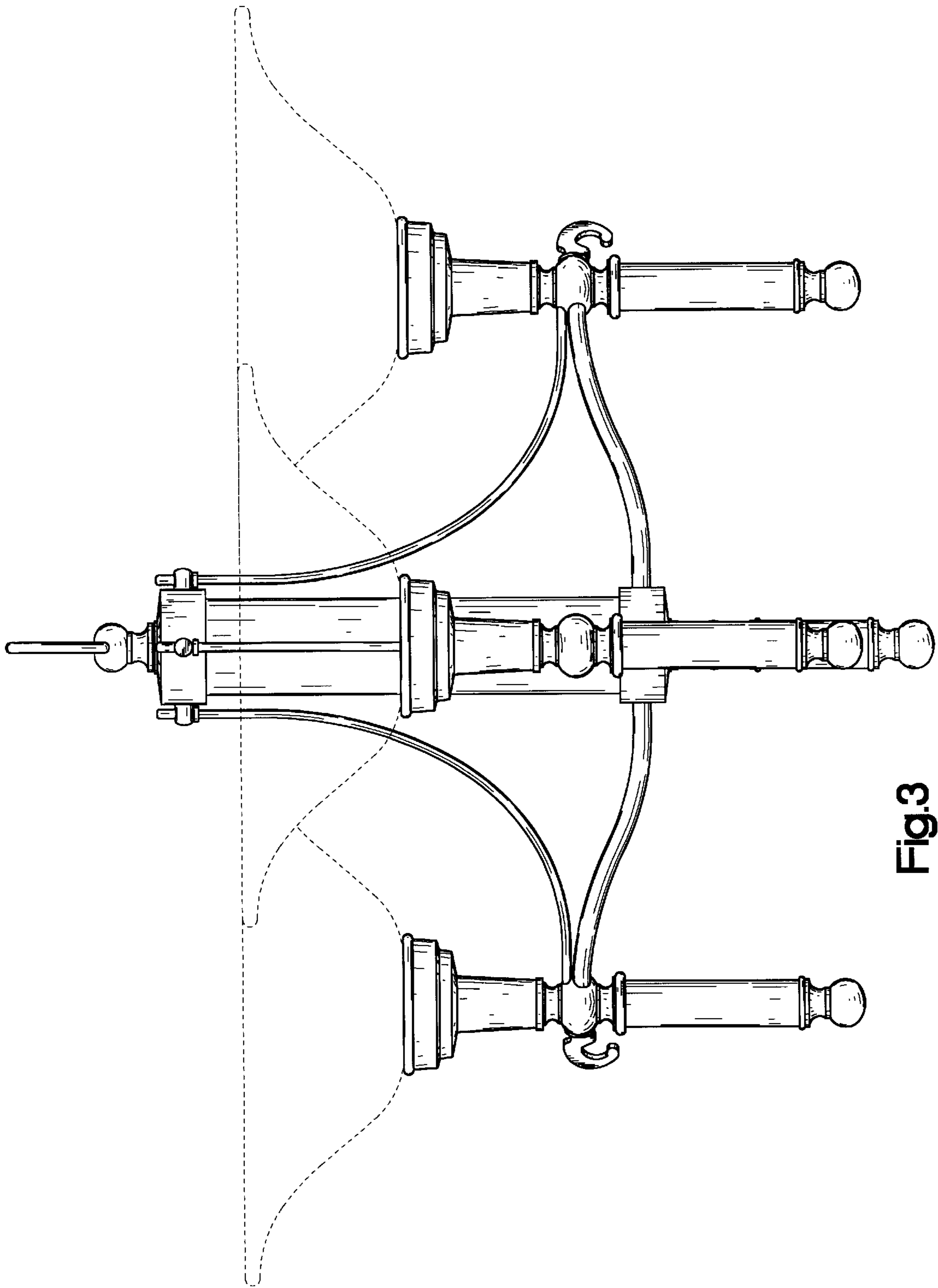


Fig.3

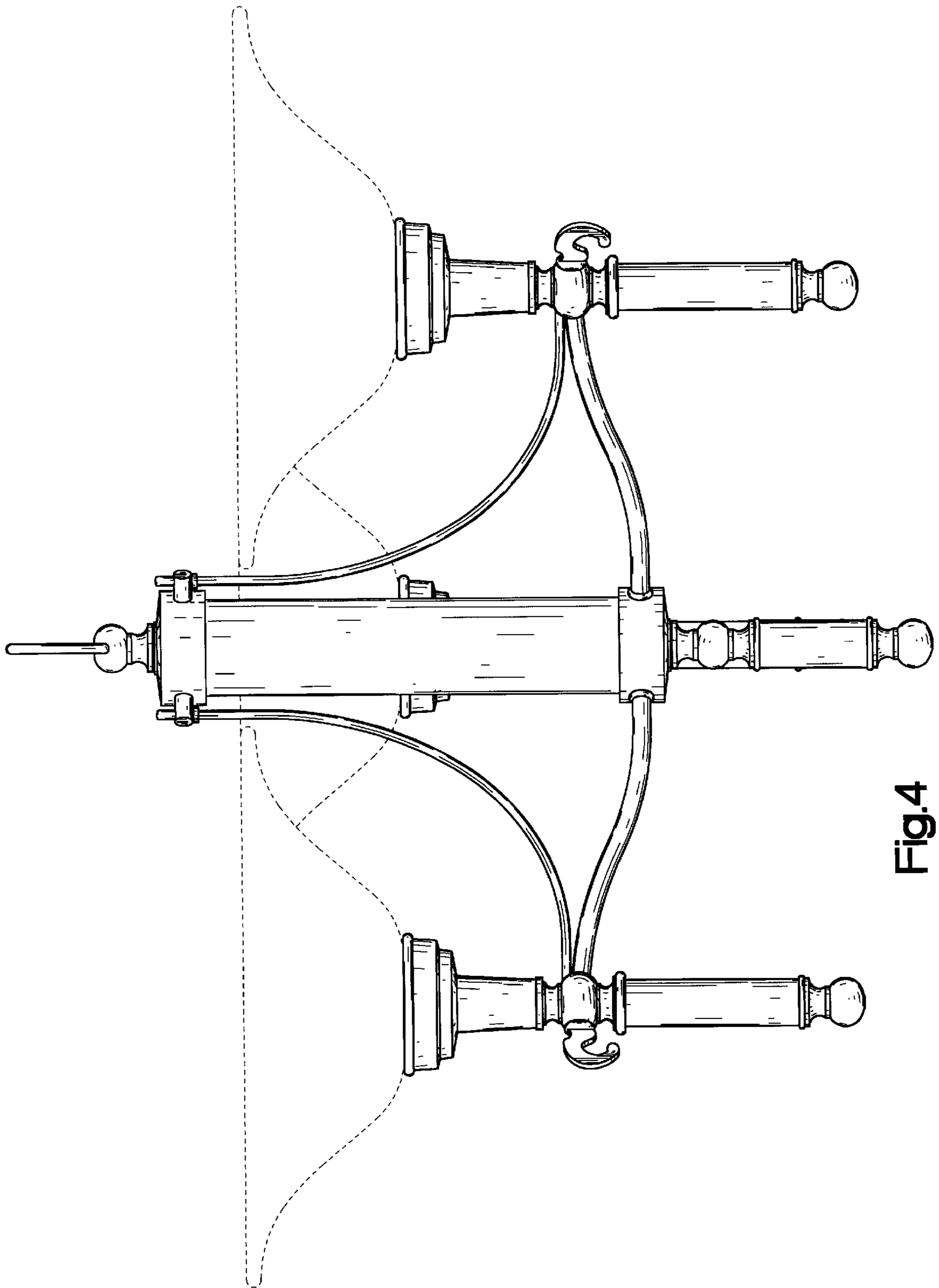


Fig.4

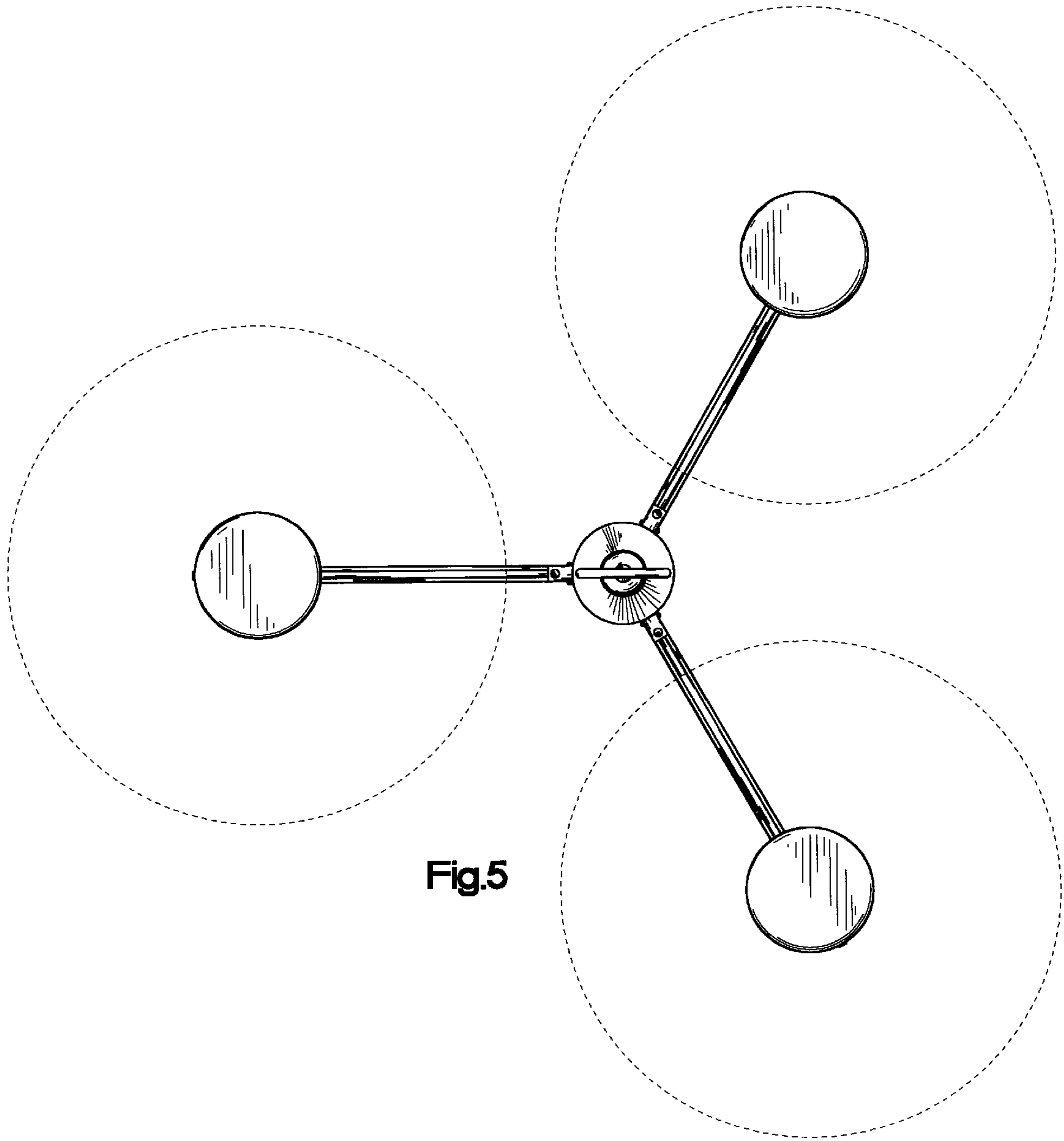


Fig.5

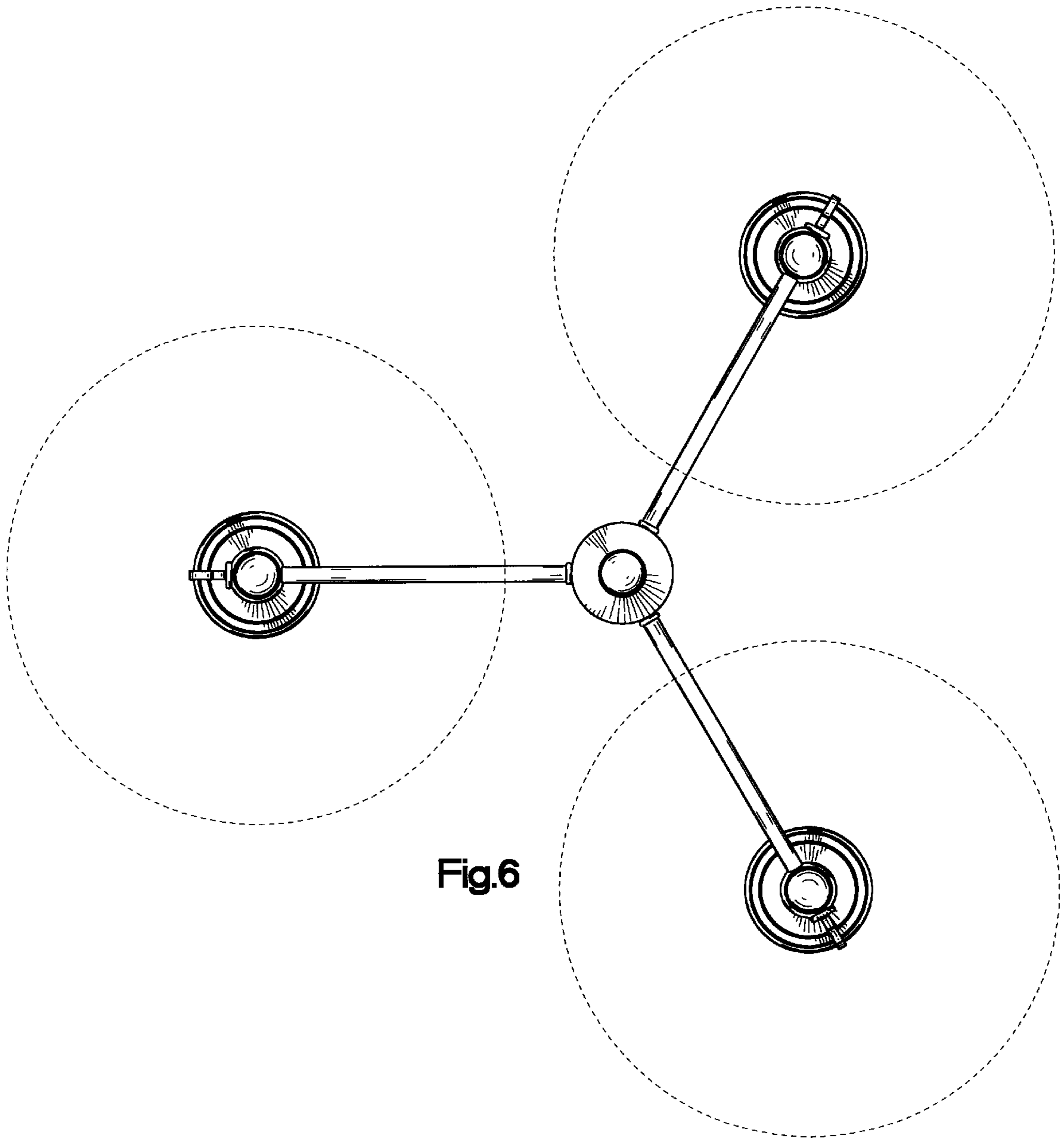


Fig.6