



US00D411641S

United States Patent [19]

Ranieri et al.

[11] Patent Number: **Des. 411,641**

[45] Date of Patent: **** Jun. 29, 1999**

[54] **LIGHTING FIXTURE**

[75] Inventors: **David R. Ranieri; Gregory Randal Holder**, both of Conyers, Ga.

[73] Assignee: **National Service Industries, Inc.**, Atlanta, Ga.

[**] Term: **14 Years**

[21] Appl. No.: **29/090,103**

[22] Filed: **Jun. 30, 1998**

D. 348,746	7/1994	Herst et al.	D26/75 X
2,258,354	10/1941	Doane	D26/74 X
3,560,729	2/1971	Liberman	362/347 X
5,192,129	3/1993	Figuroa	362/346
5,570,947	11/1996	Felland	362/346 X

Primary Examiner—Susan J. Lucas
Attorney, Agent, or Firm—Kenneth E. Darnell

[57] CLAIM

The ornamental design for the lighting fixture, as shown and described.

DESCRIPTION

FIG. 1 is a perspective view taken from the front, bottom, and right side of the lighting fixture;

FIG. 2 is a perspective view taken from the front, bottom, and right side of a second embodiment of the lighting fixture, which is essentially twice the length of the first embodiment; and,

FIG. 3 is a bottom plan view of the second embodiment of the lighting fixture.

The broken lines are shown for illustrative purposes only and form no part of the claimed design.

Related U.S. Application Data

[62] Division of application No. 29/070,945, May 20, 1997, Pat. No. Des. 399,586.

[51] **LOC (6) Cl.** **26-05**

[52] **U.S. Cl.** **D26/74; D26/118**

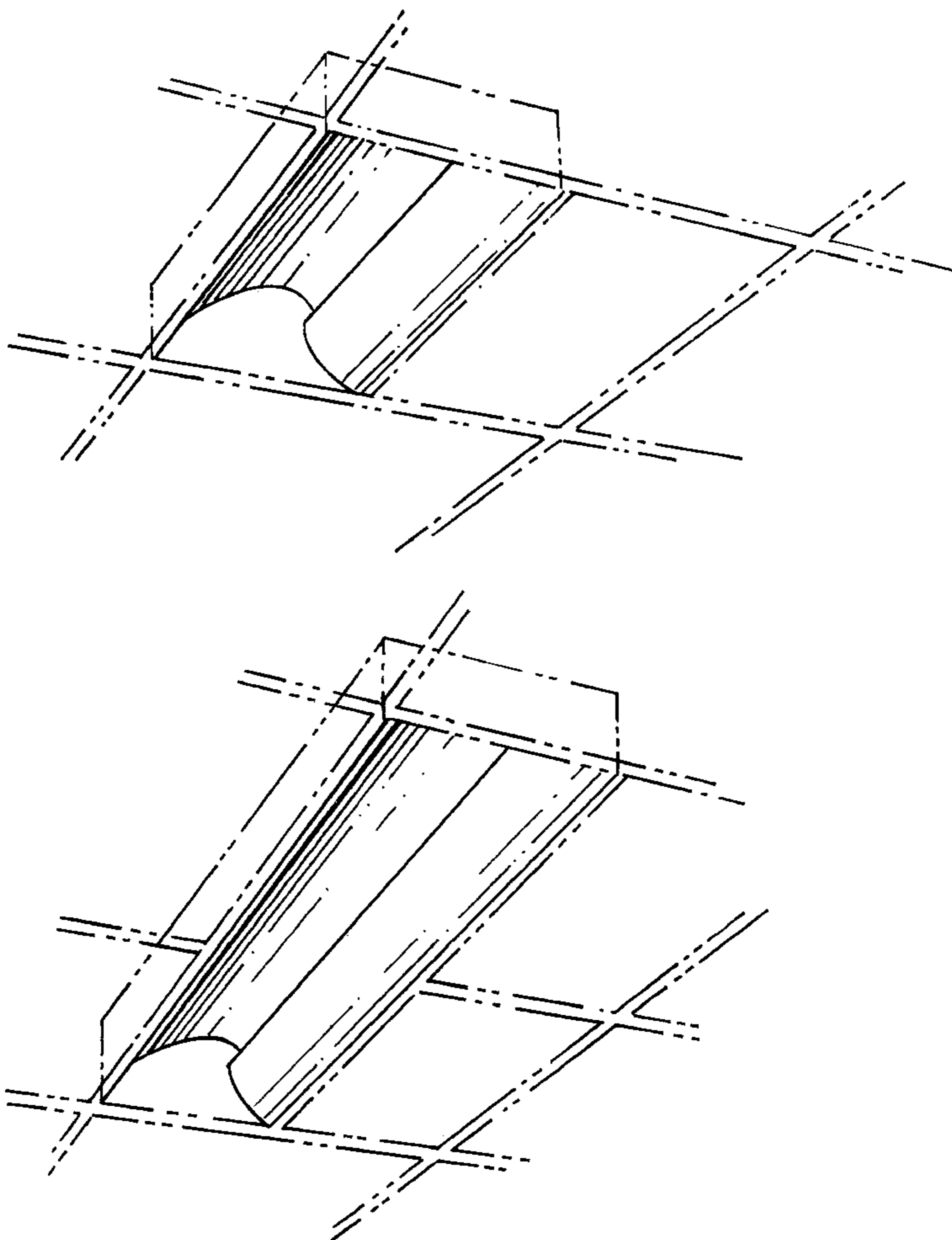
[58] **Field of Search** D26/74-78; 362/147, 362/148, 217, 222, 223, 224, 364, 365, 346, 347

References Cited

U.S. PATENT DOCUMENTS

D. 195,012 4/1963 Hoyle D26/74 X

1 Claim, 1 Drawing Sheet



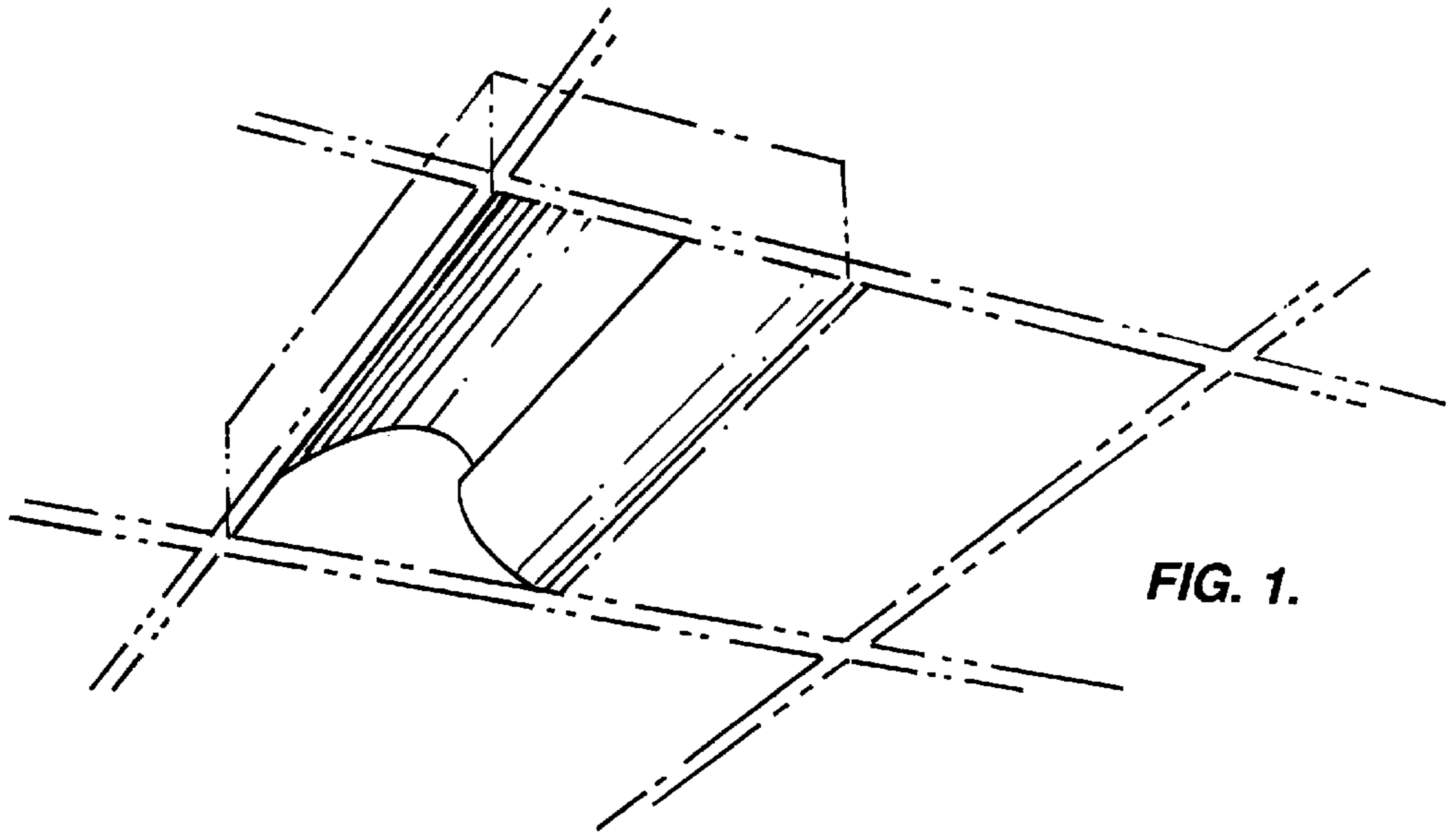


FIG. 1.

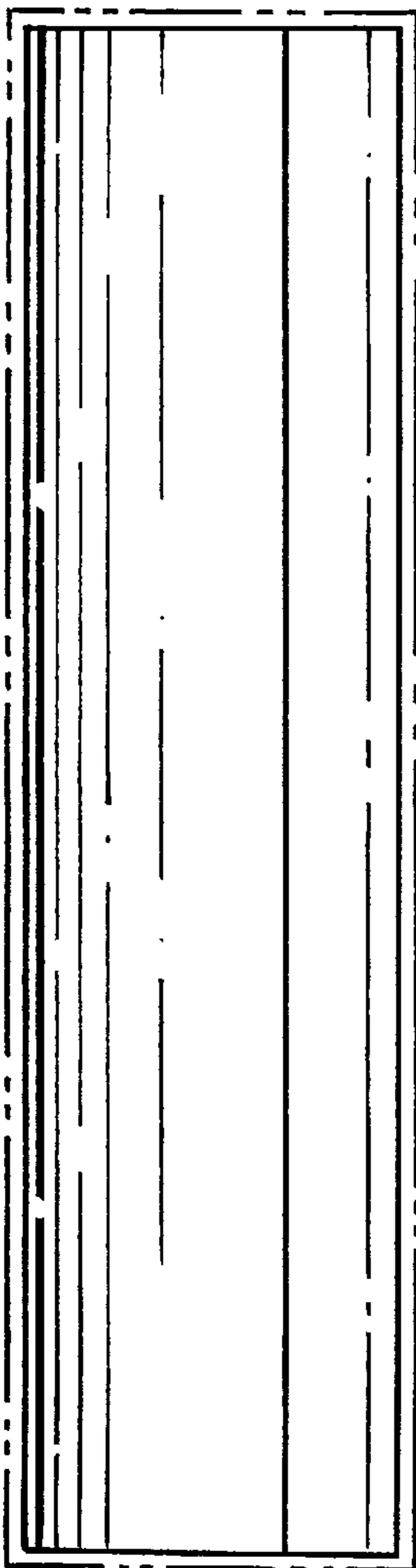


FIG. 3.

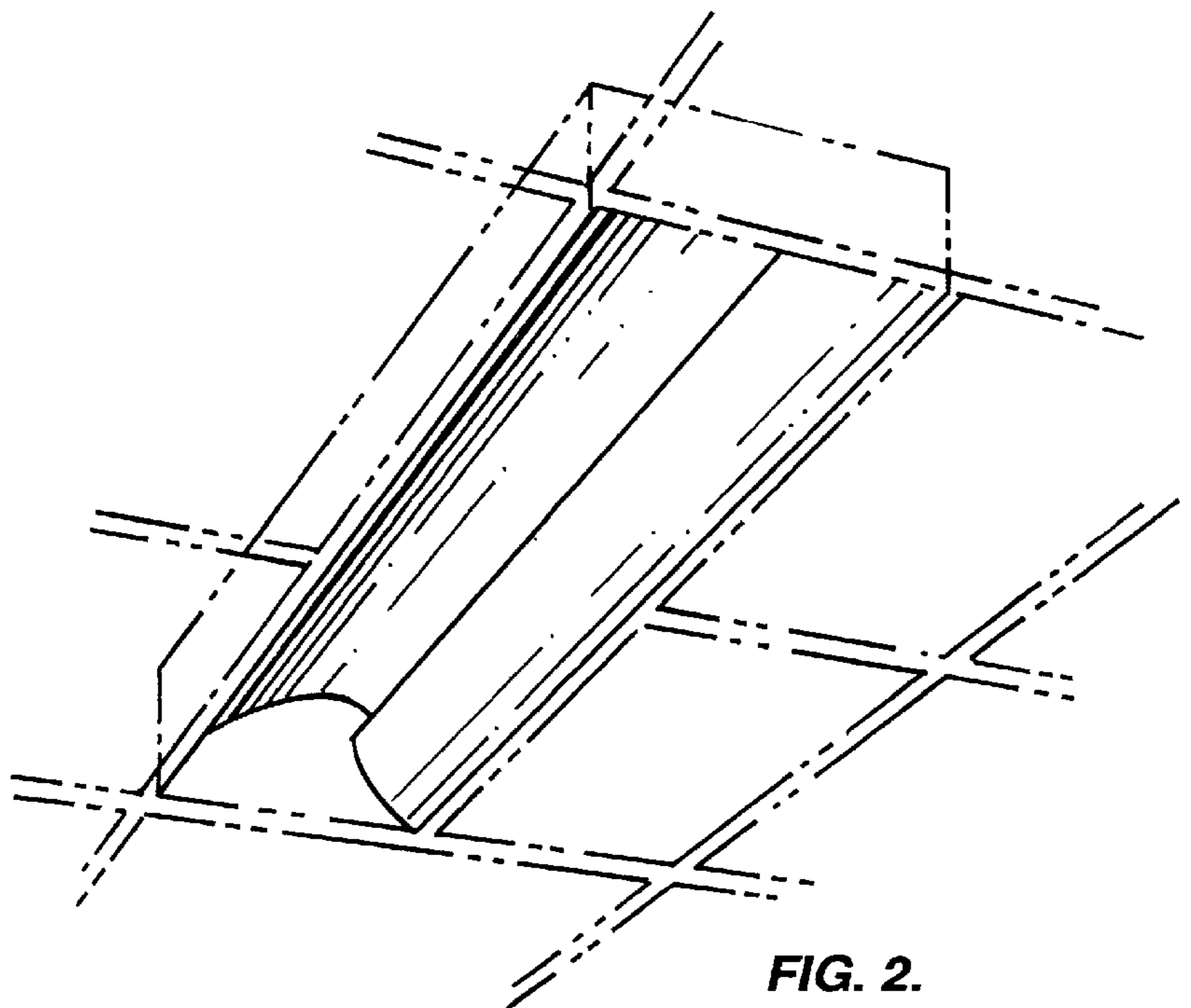


FIG. 2.