



US00D411640S

# United States Patent [19]

Lueken et al.

[11] Patent Number: **Des. 411,640**

[45] Date of Patent: **\*\* Jun. 29, 1999**

[54] **RECESSED GROUND LUMINAIRE**

[75] Inventors: **Thomas Carl Lueken**, Walnut;  
**Michael Scott Neuer**, Covina, both of Calif.

[73] Assignee: **Kim Lighting, Inc.**, City of Industry, Calif.

[\*\*] Term: **14 Years**

[21] Appl. No.: **29/085,226**

[22] Filed: **Mar. 18, 1998**

[51] **LOC (6) Cl.** ..... **26-05**

[52] **U.S. Cl.** ..... **D26/74; D10/113; D26/119**

[58] **Field of Search** ..... **D26/60, 61, 63, D26/74, 118, 119; 362/147, 432, 404, 364, 365, 153.1, 226, 376; D10/113**

[56] **References Cited**

**U.S. PATENT DOCUMENTS**

1,425,139 8/1922 Rumsey ..... 362/153.1  
1,425,140 8/1922 Rumsey ..... 362/153.1

1,480,037 1/1924 Wyatt ..... D26/119 X  
1,496,611 6/1924 Lange et al. .... 362/153.1 X  
5,156,454 10/1992 White ..... 362/153  
5,408,397 4/1995 Tyson ..... 362/153.1 X

**OTHER PUBLICATIONS**

Pp. 114 & 115 from BEGA Catalog Prior To Filing Date.

*Primary Examiner*—Susan J. Lucas  
*Attorney, Agent, or Firm*—Lyon & Lyon LLP

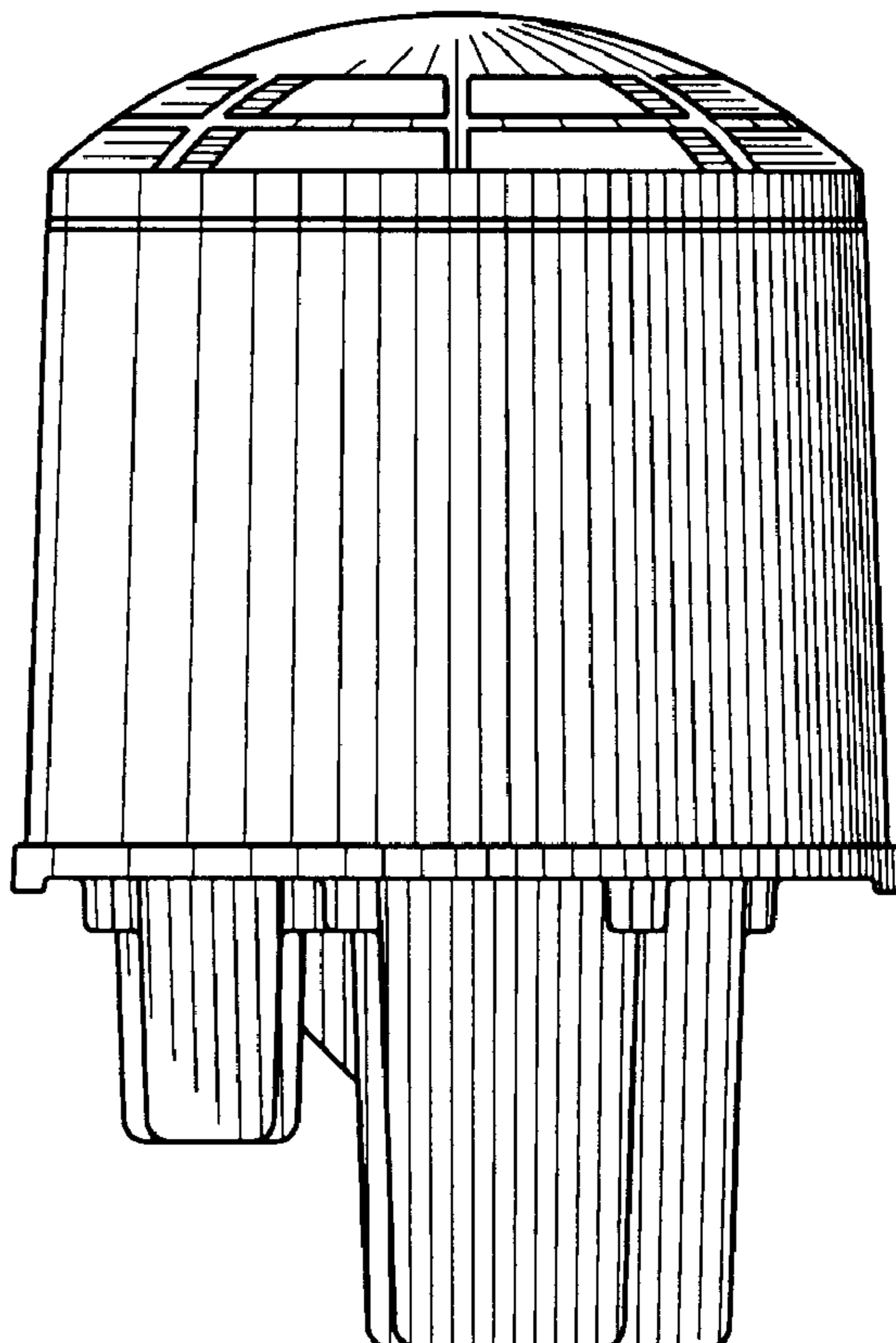
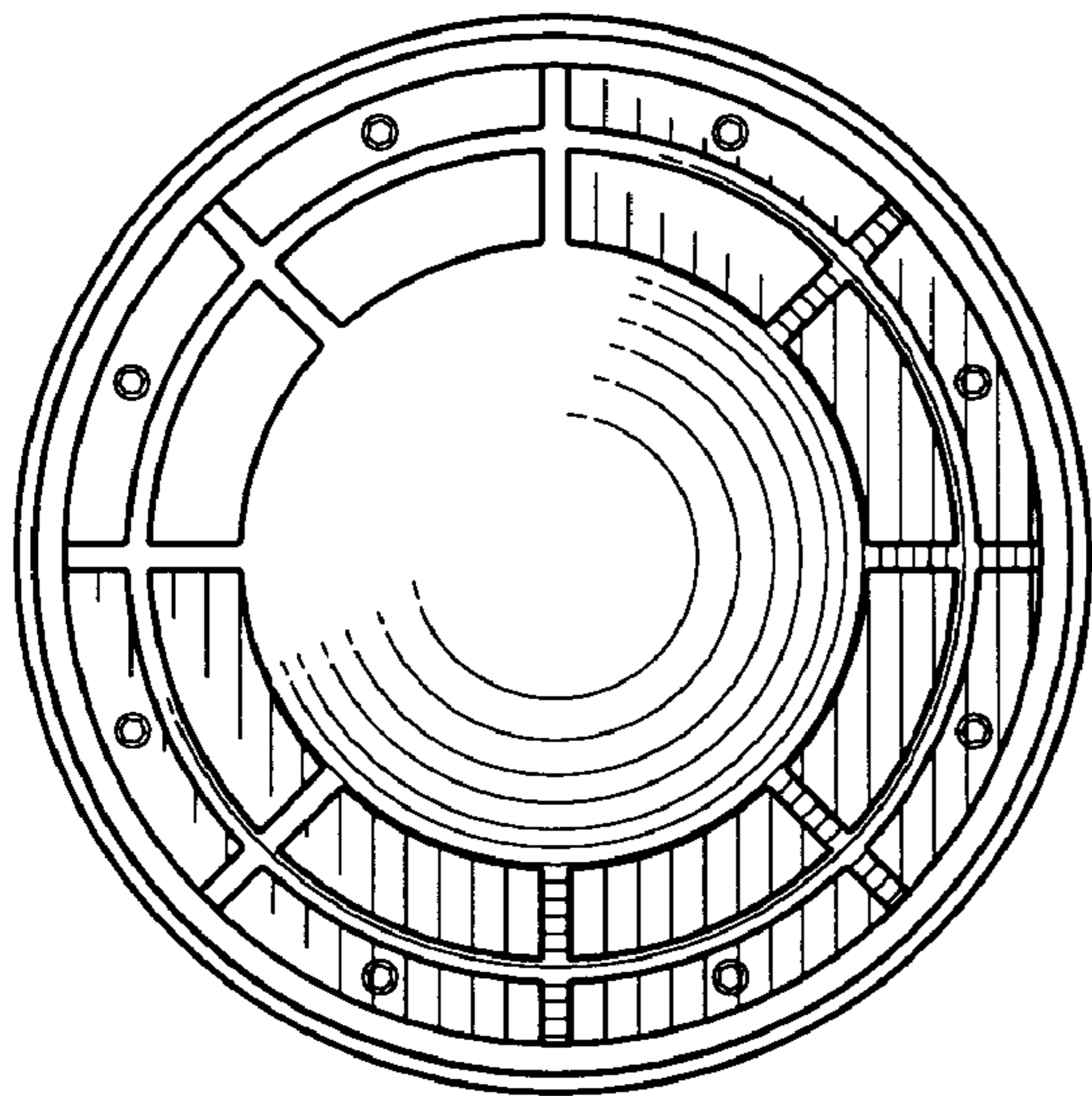
[57] **CLAIM**

The ornamental design for a recessed ground luminaire, as shown and described.

**DESCRIPTION**

FIG. 1 is a top view showing the new design;  
FIG. 2 is a rear elevational view thereof;  
FIG. 3 is a first side elevational view thereof, the opposite side being a mirror image;  
FIG. 4 is a front elevational view; and,  
FIG. 5 is a bottom view.

**1 Claim, 1 Drawing Sheet**



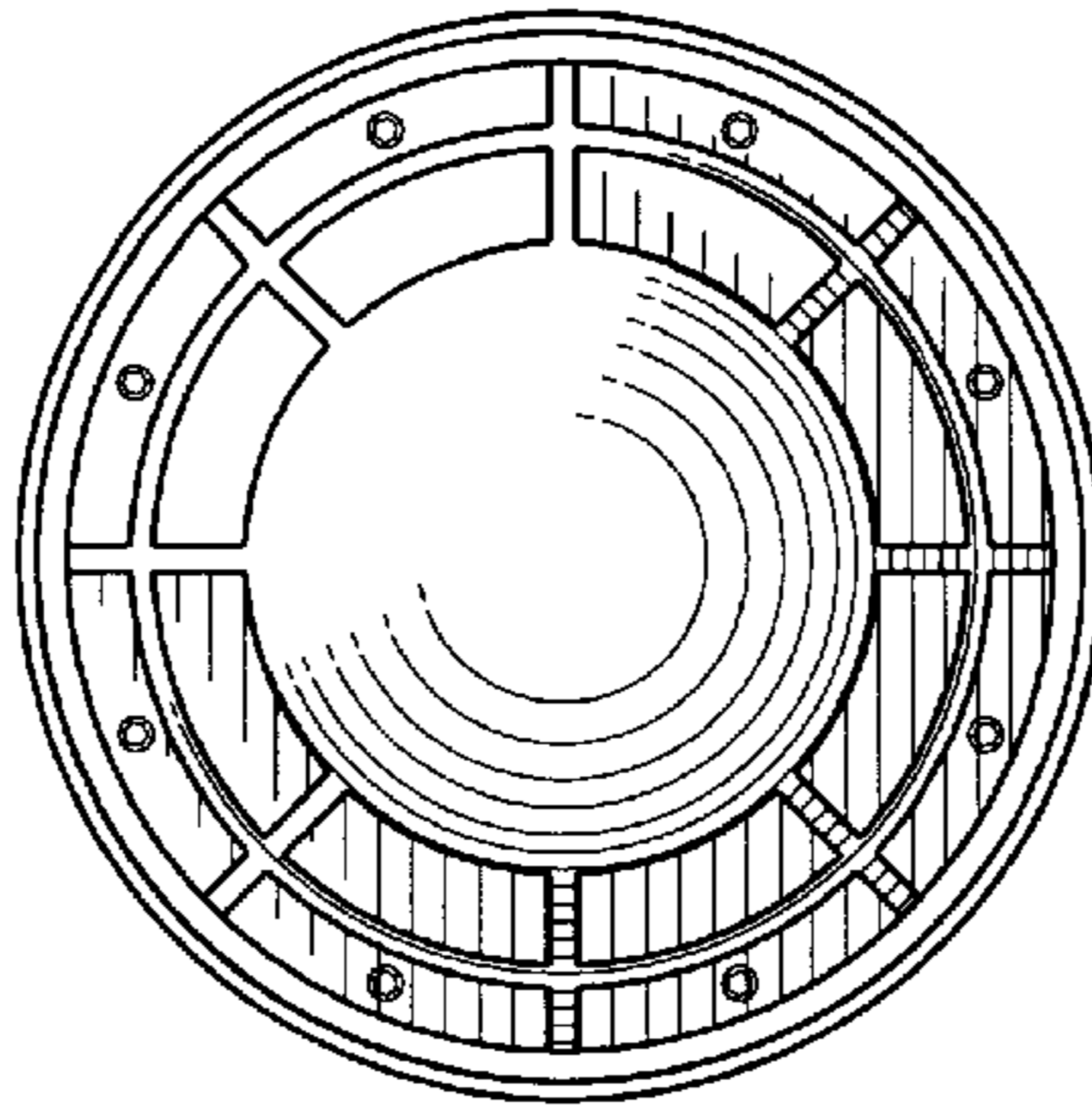


FIG. 1

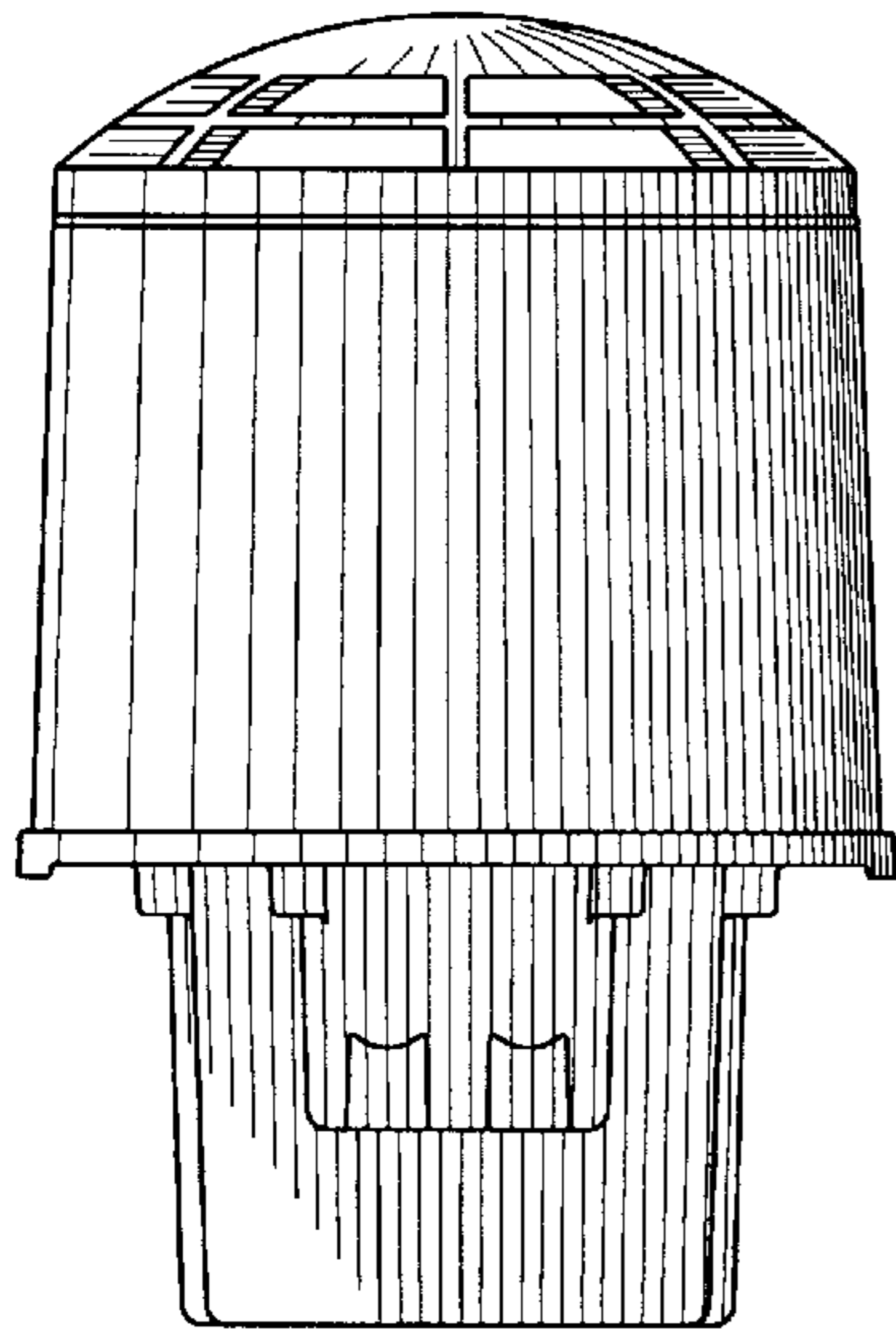


FIG. 2

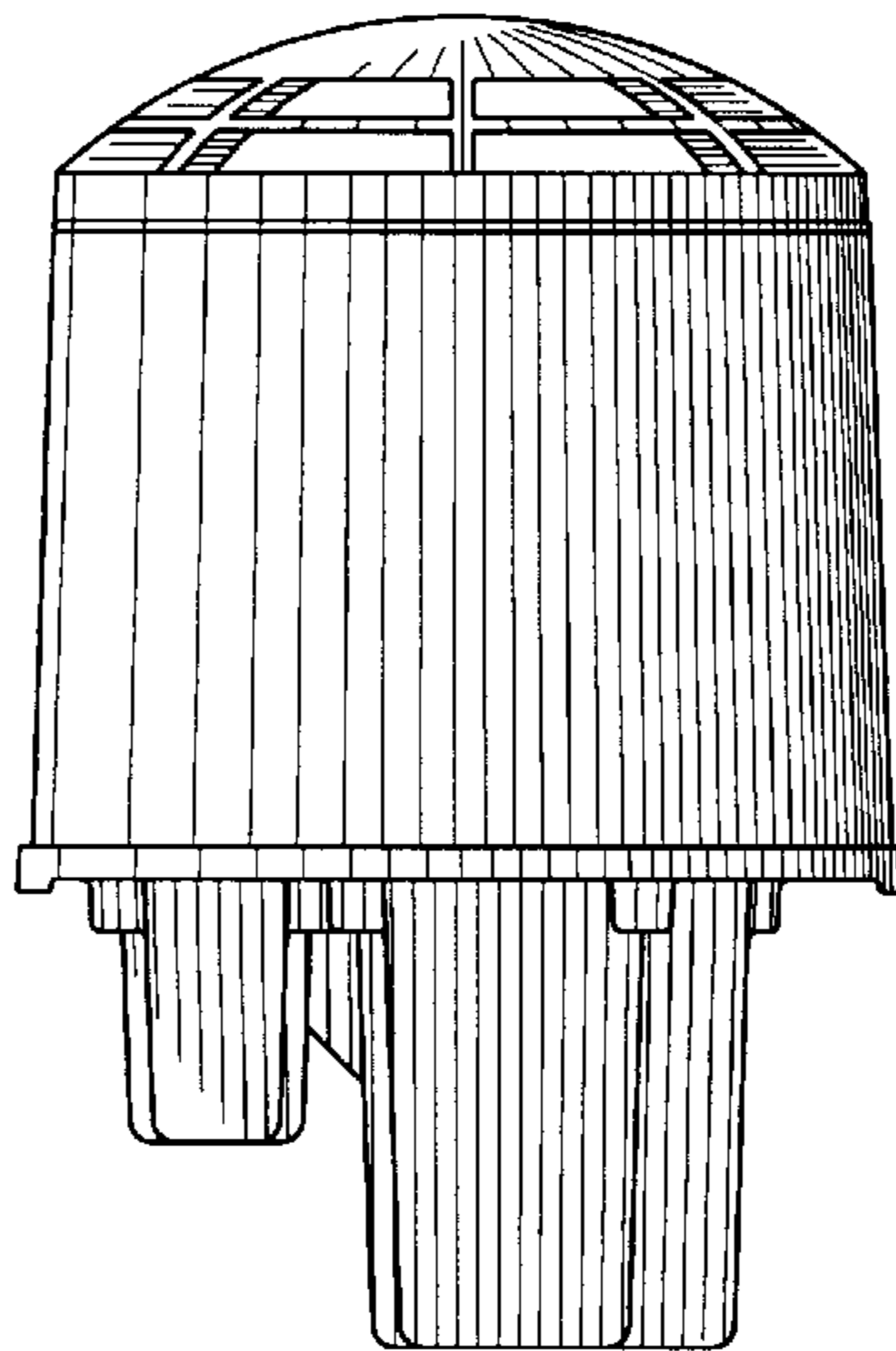


FIG. 3

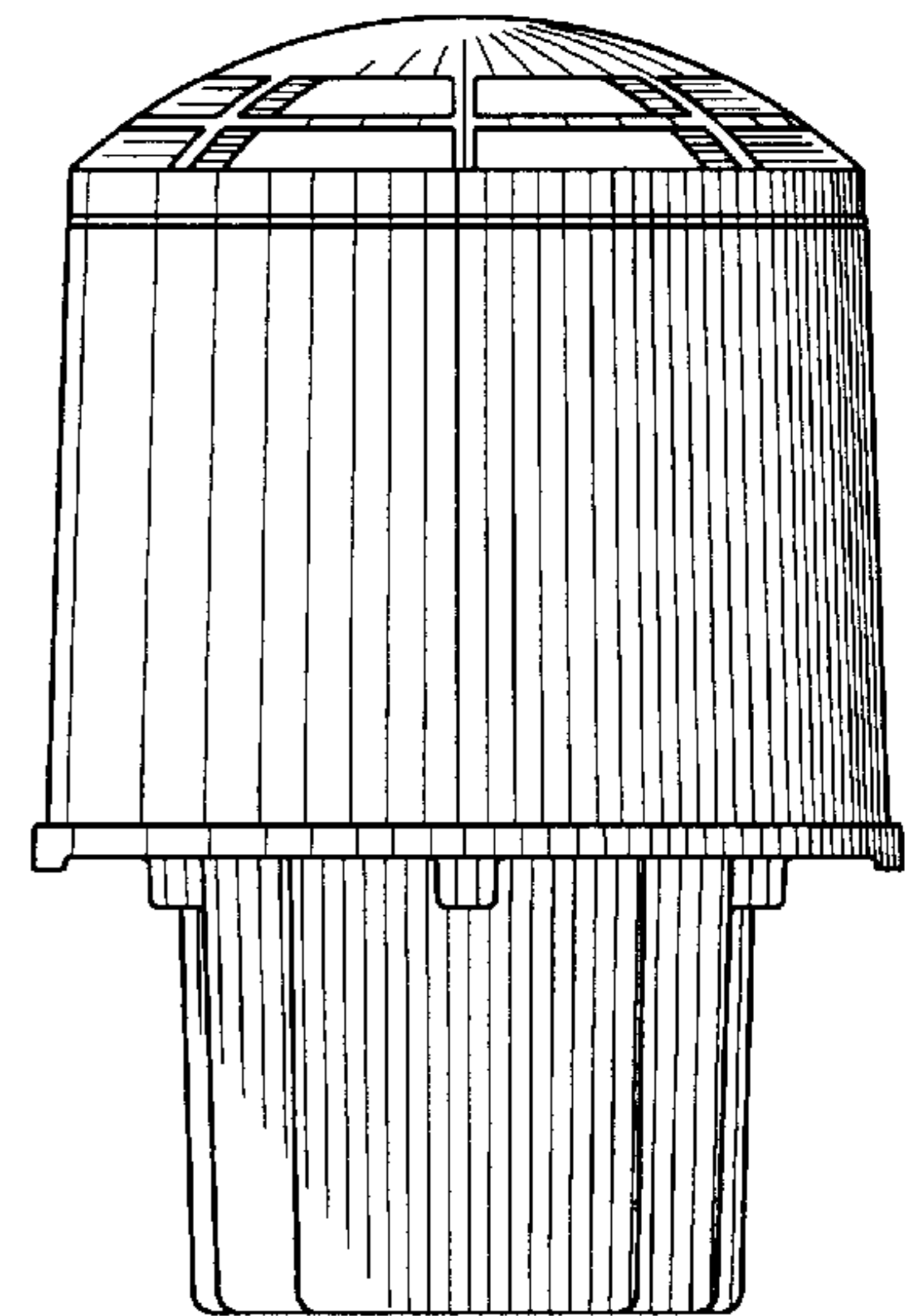


FIG. 4

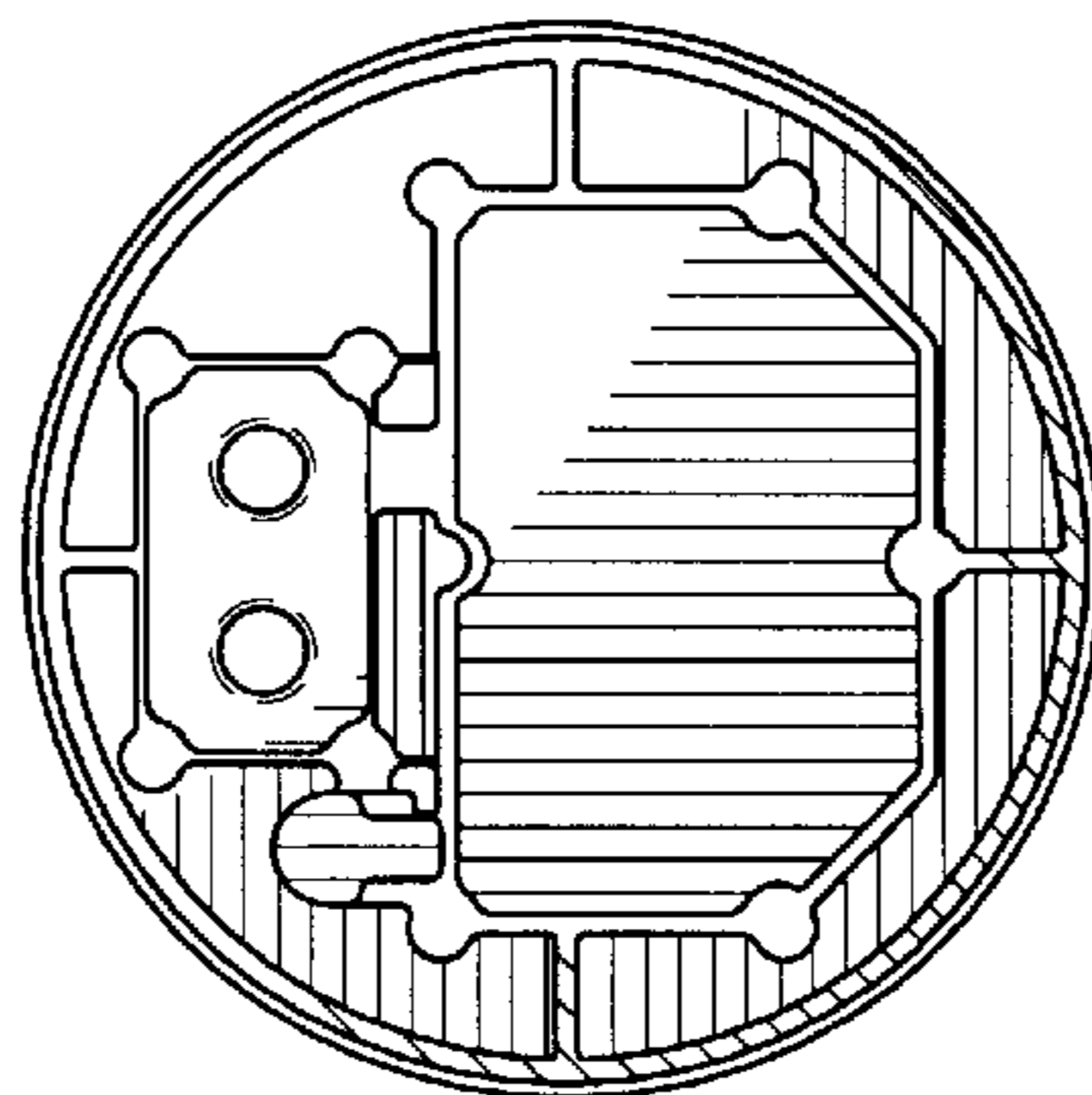


FIG. 5