



US00D411639S

United States Patent [19] Yang

[11] Patent Number: **Des. 411,639**

[45] Date of Patent: **** Jun. 29, 1999**

[54] **DESK LAMP**

[76] Inventor: **Roger Yang**, 15F-7, No.77, Hsin-Tai Wu Rd., Sec.1, Hsi-Chih, Taipei Hsien, Taiwan

[**] Term: **14 Years**

[21] Appl. No.: **29/090,894**

[22] Filed: **Jul. 20, 1998**

[51] **LOC (6) Cl.** **26-05**

[52] **U.S. Cl.** **D26/63**

[58] **Field of Search** D26/93, 102-112, D26/63, 65; 362/410-414

[56] **References Cited**

U.S. PATENT DOCUMENTS

- D. 170,323 9/1953 Lindemann D26/65
- D. 398,411 9/1998 Yang D26/65

- 2,553,094 5/1951 Jarrett et al. 362/413 X
- 2,614,202 10/1952 Canfield 362/413 X
- 5,791,769 8/1998 Yang 362/414 X

Primary Examiner—Susan J. Lucas
Attorney, Agent, or Firm—Rosenberg, Klein & Bilker

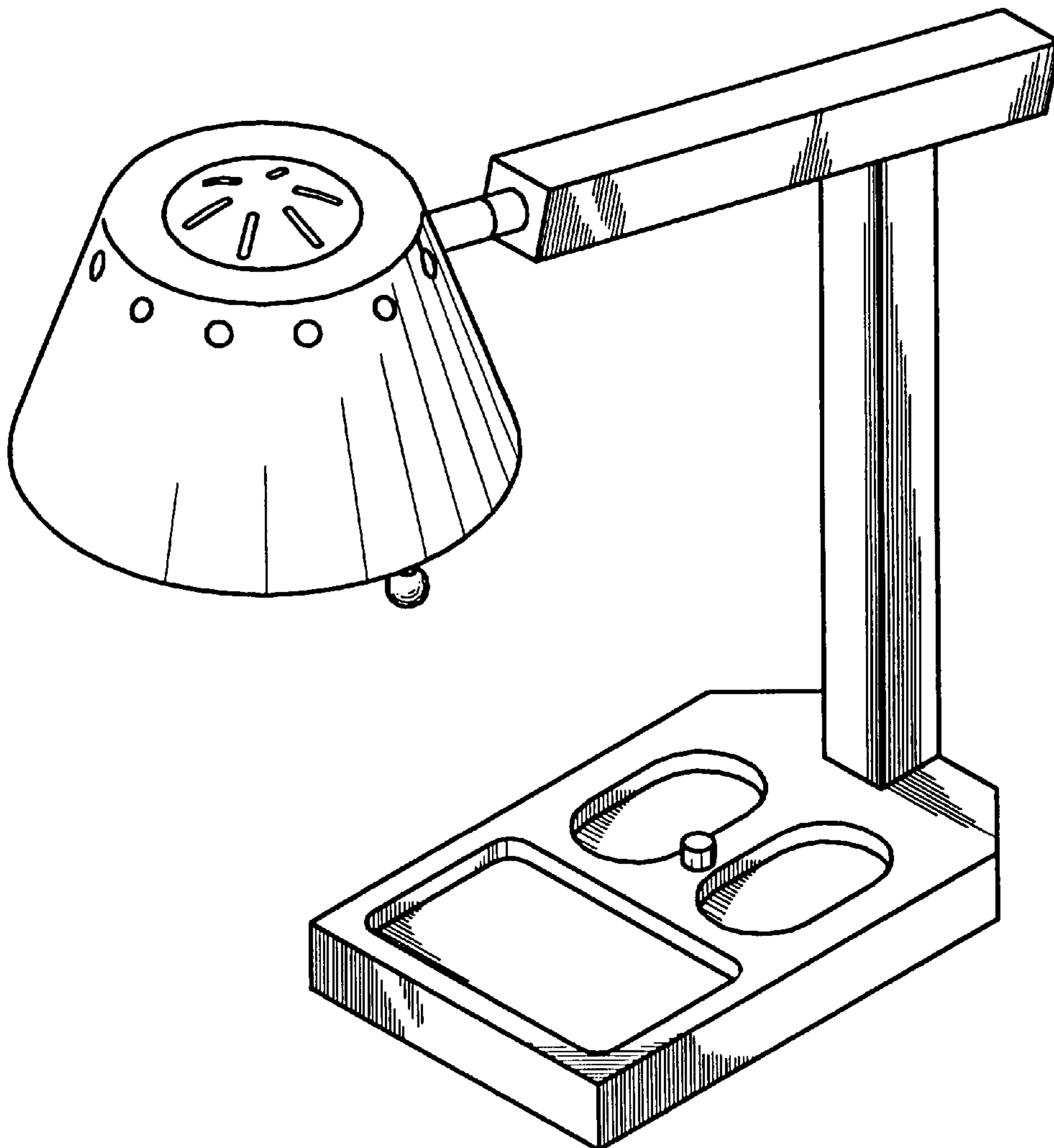
[57] **CLAIM**

The ornamental design for a desk lamp, as shown and described.

DESCRIPTION

FIG. 1 is a perspective view thereof;
FIG. 2 is a right side view thereof;
FIG. 3 is a left side view thereof;
FIG. 4 is a front view thereof;
FIG. 5 is a rear view thereof;
FIG. 6 is a top view thereof; and,
FIG. 7 is a bottom view thereof.

1 Claim, 5 Drawing Sheets



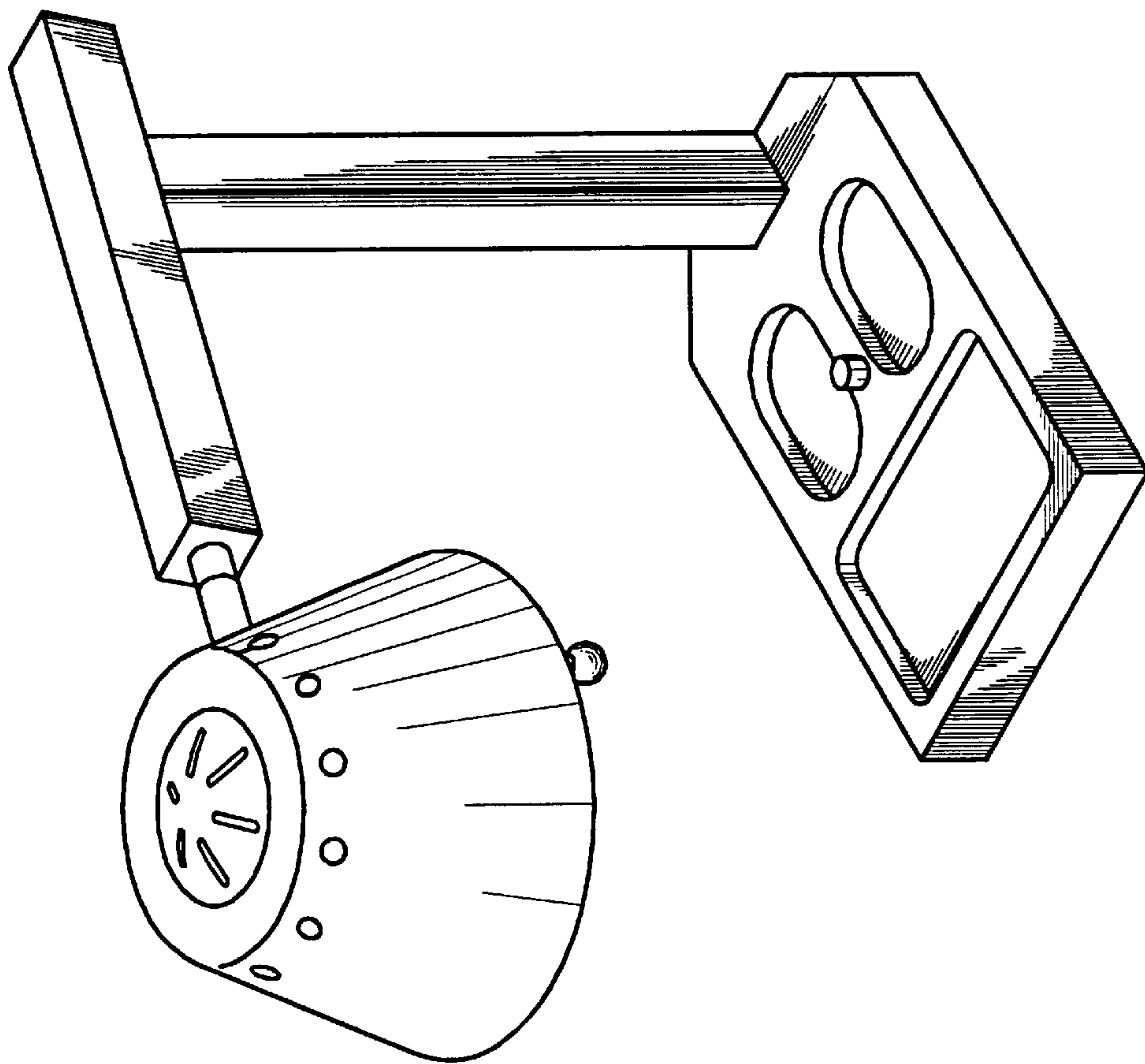


FIG. 1

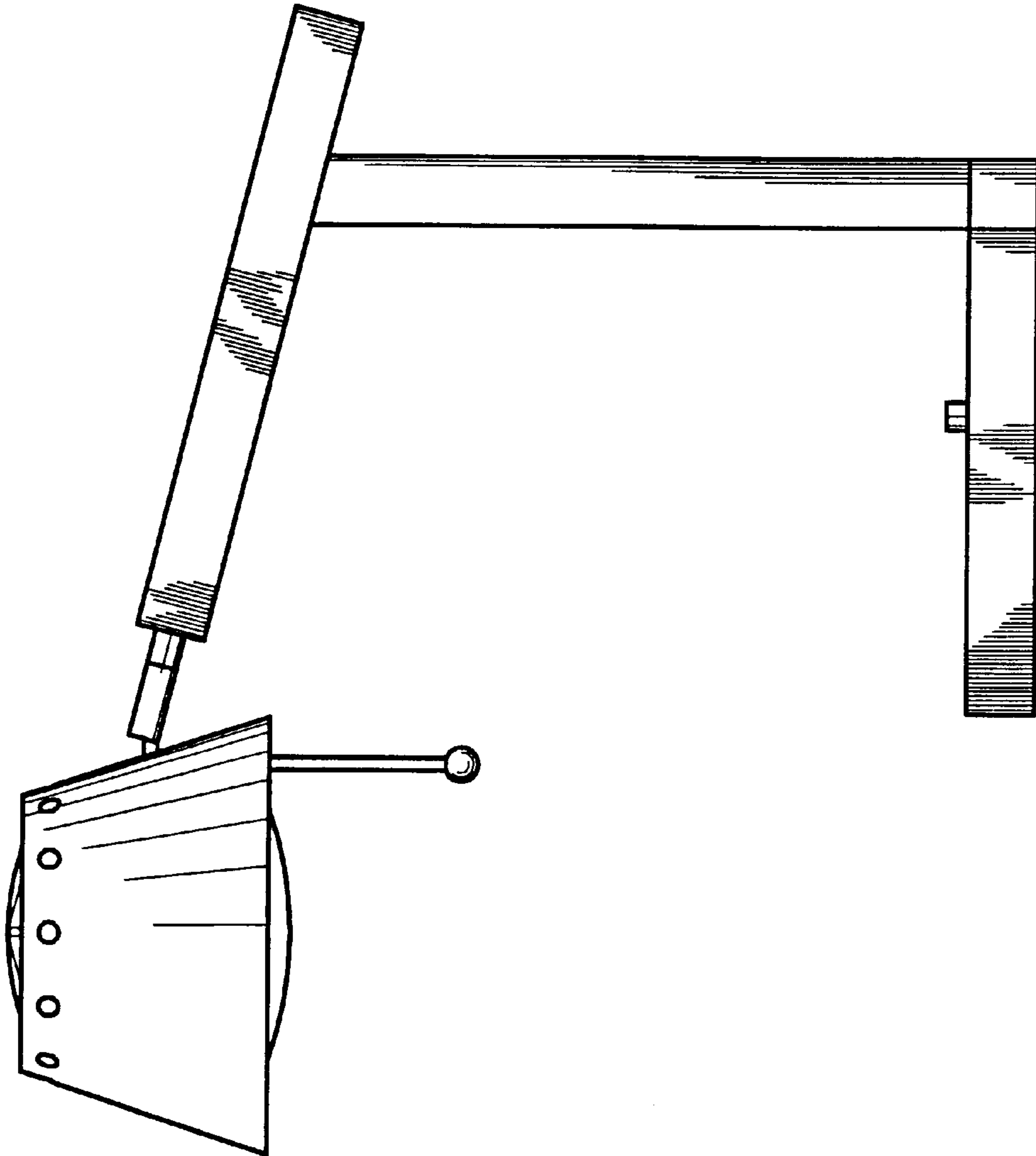


FIG. 2

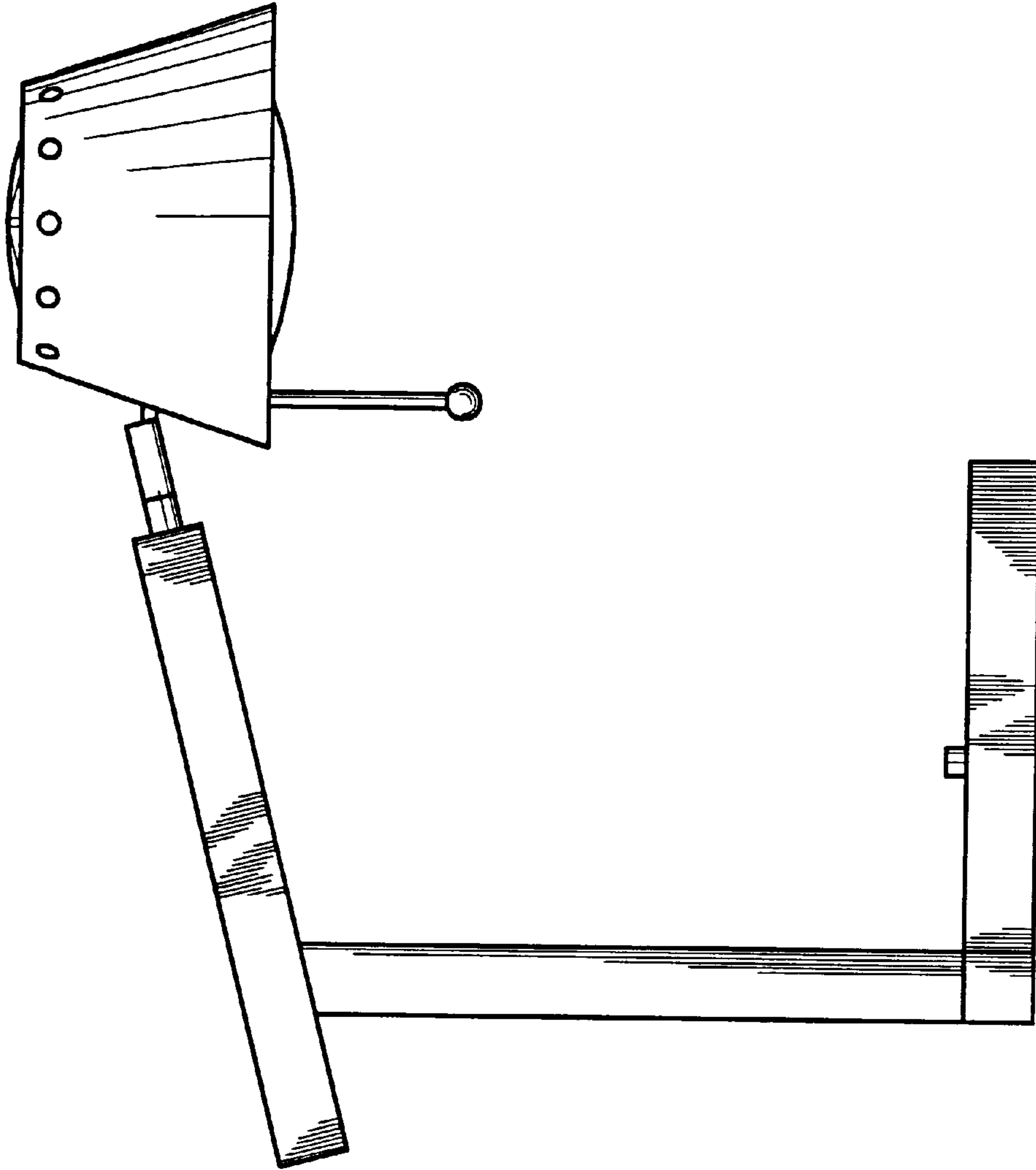


FIG. 3

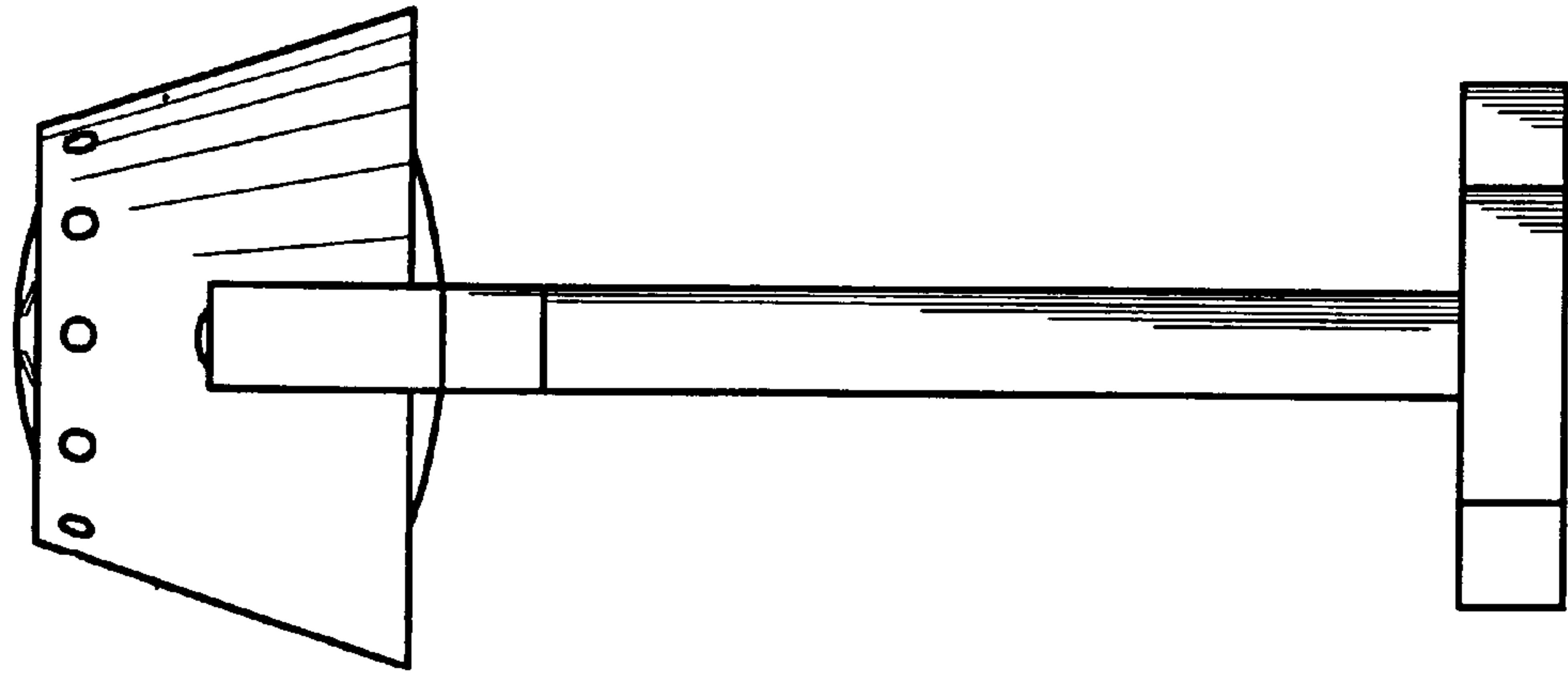


FIG. 5

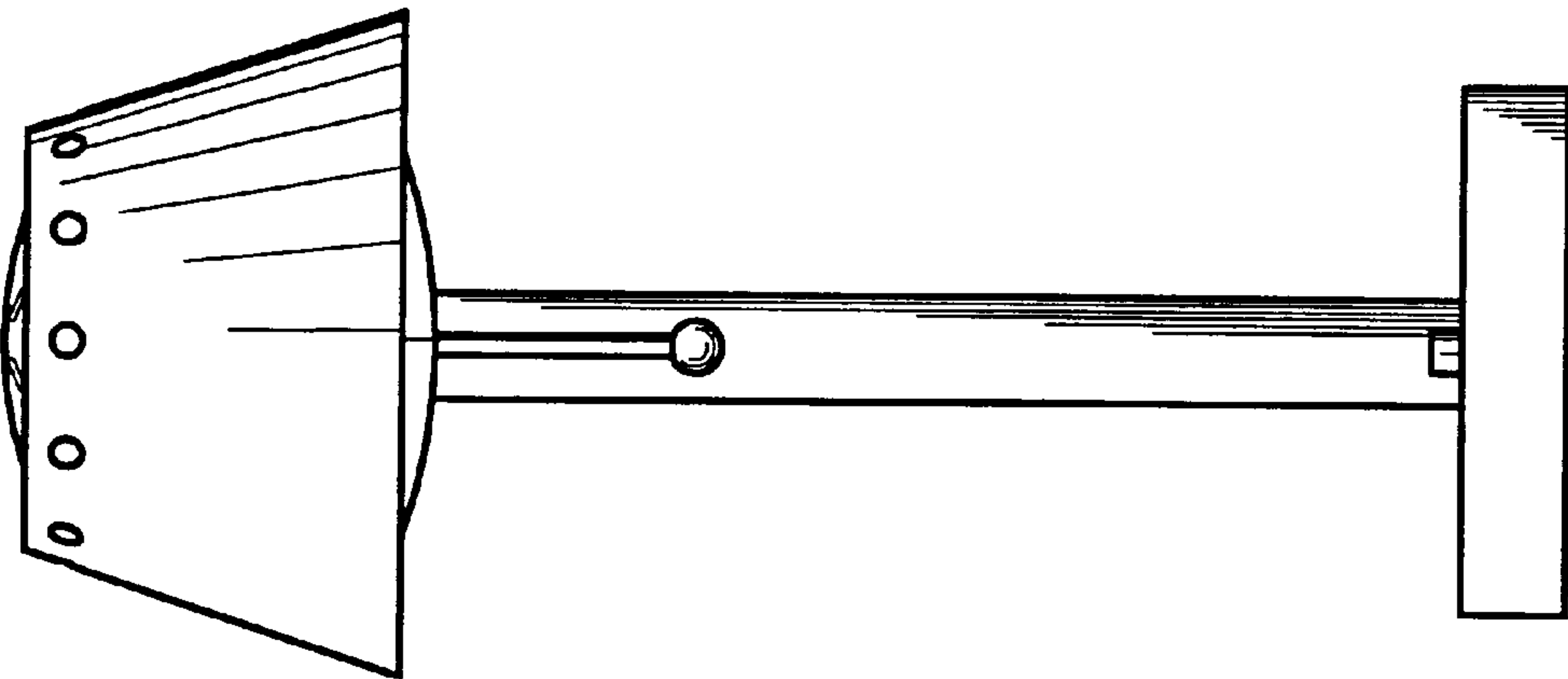


FIG. 4

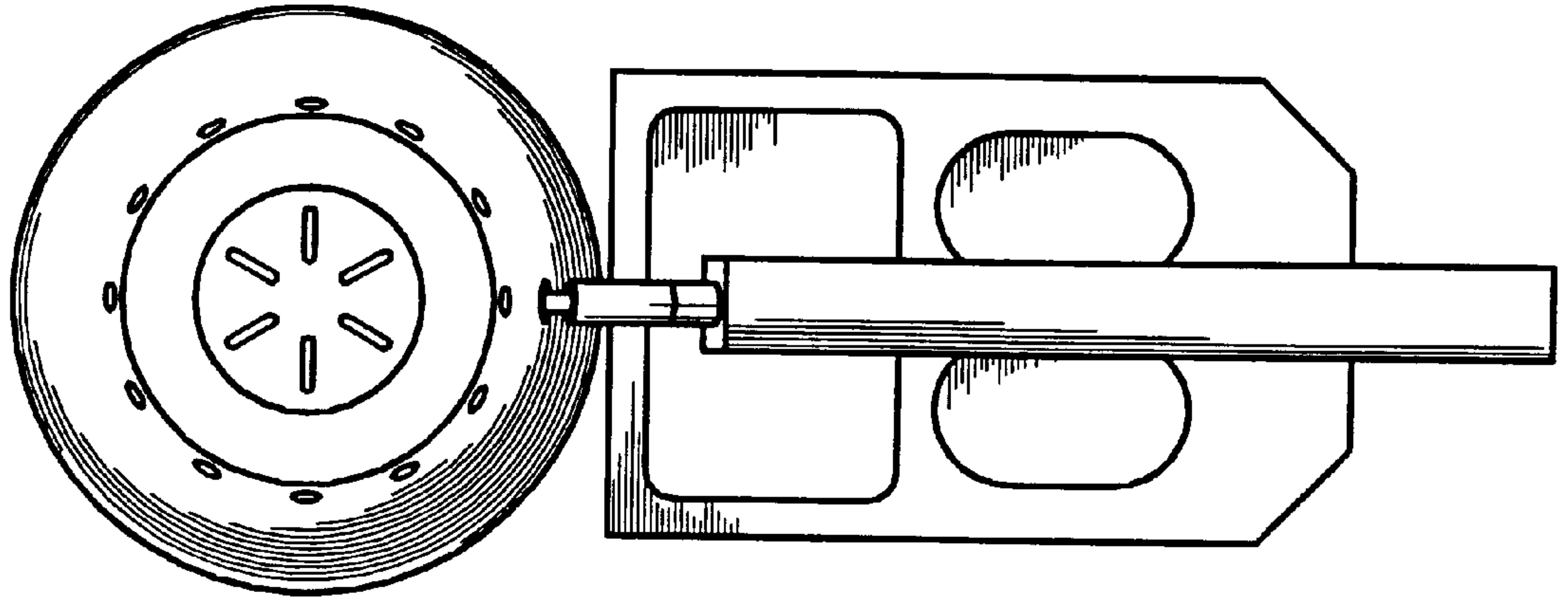


FIG. 6

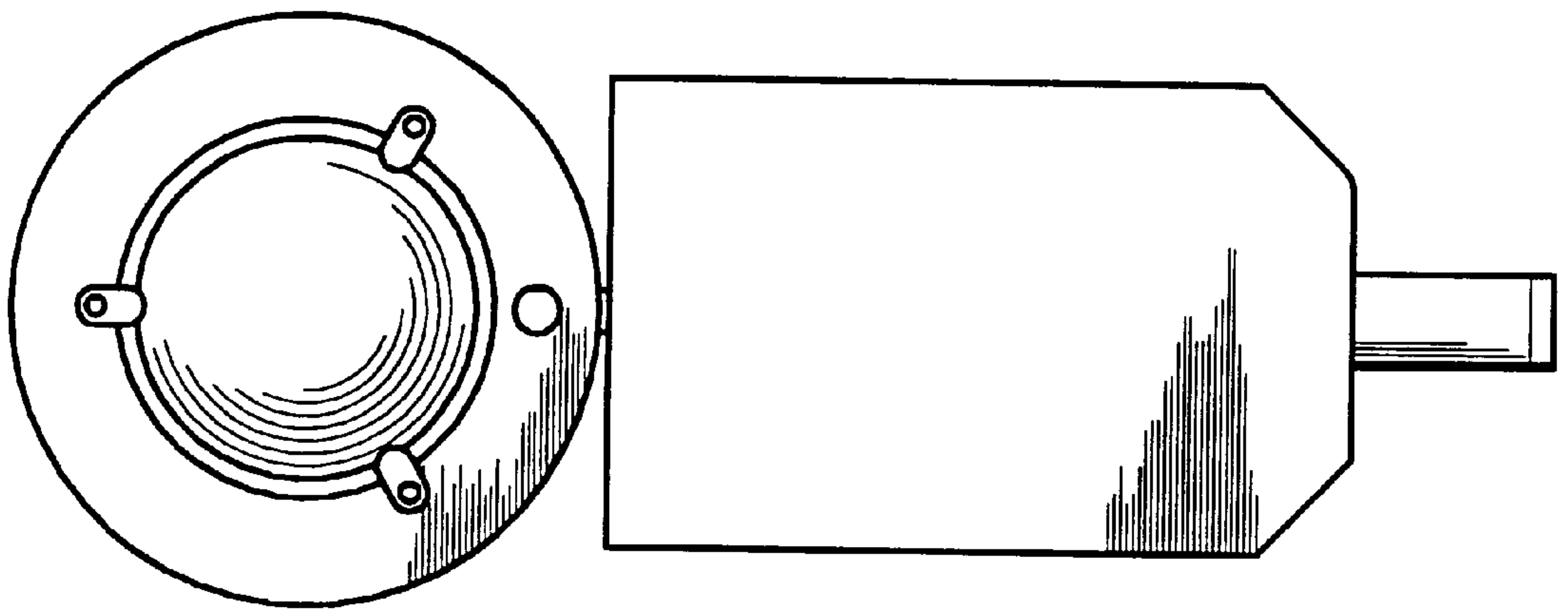


FIG. 7