



US00D411637S

United States Patent [19] Suzuki

[11] **Patent Number: Des. 411,637**

[45] **Date of Patent: ** Jun. 29, 1999**

[54] **TORCH**

D. 401,371 11/1998 Chen D26/38

[75] Inventor: **Hitoshi Suzuki**, Tokyo, Japan

Primary Examiner—Marcus A. Jackson
Attorney, Agent, or Firm—Salter & Michaelson

[73] Assignee: **Hiromori, Inc.**, Tokyo, Japan

[**] Term: **14 Years**

[57] **CLAIM**

[21] Appl. No.: **29/090,750**

The ornamental design for a torch, as shown.

[22] Filed: **Jul. 15, 1998**

DESCRIPTION

[30] **Foreign Application Priority Data**

FIG. 1 is a perspective view of a torch showing my new design;

Jan. 15, 1998 [HK] The Hong Kong Special Administrative Region of the People's Republic of China 9810064

FIG. 2 is a front elevational view thereof;

[51] **LOC (6) Cl.** **26-02**

FIG. 3 is a rear elevational view thereof;

[52] **U.S. Cl.** **D26/38**

FIG. 4 is a left side elevational view thereof;

[58] **Field of Search** D26/37-50; 362/157, 362/158, 183-208

FIG. 5 is a right side elevational view thereof;

FIG. 6 is a top plan view thereof; and,

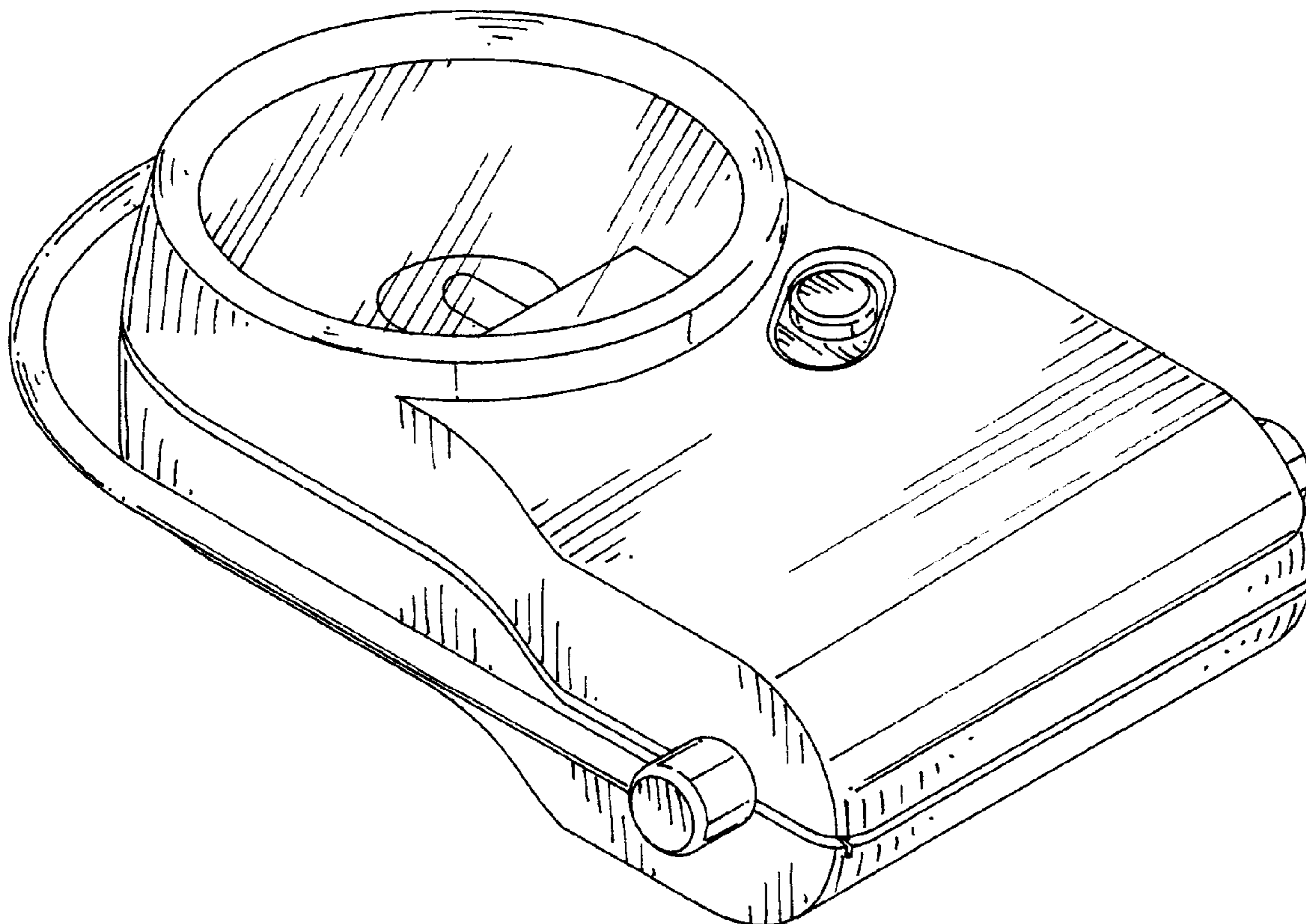
FIG. 7 is a bottom plan view of thereof.

[56] **References Cited**

U.S. PATENT DOCUMENTS

D. 306,212 2/1990 Holterscheidt D26/44

1 Claim, 3 Drawing Sheets



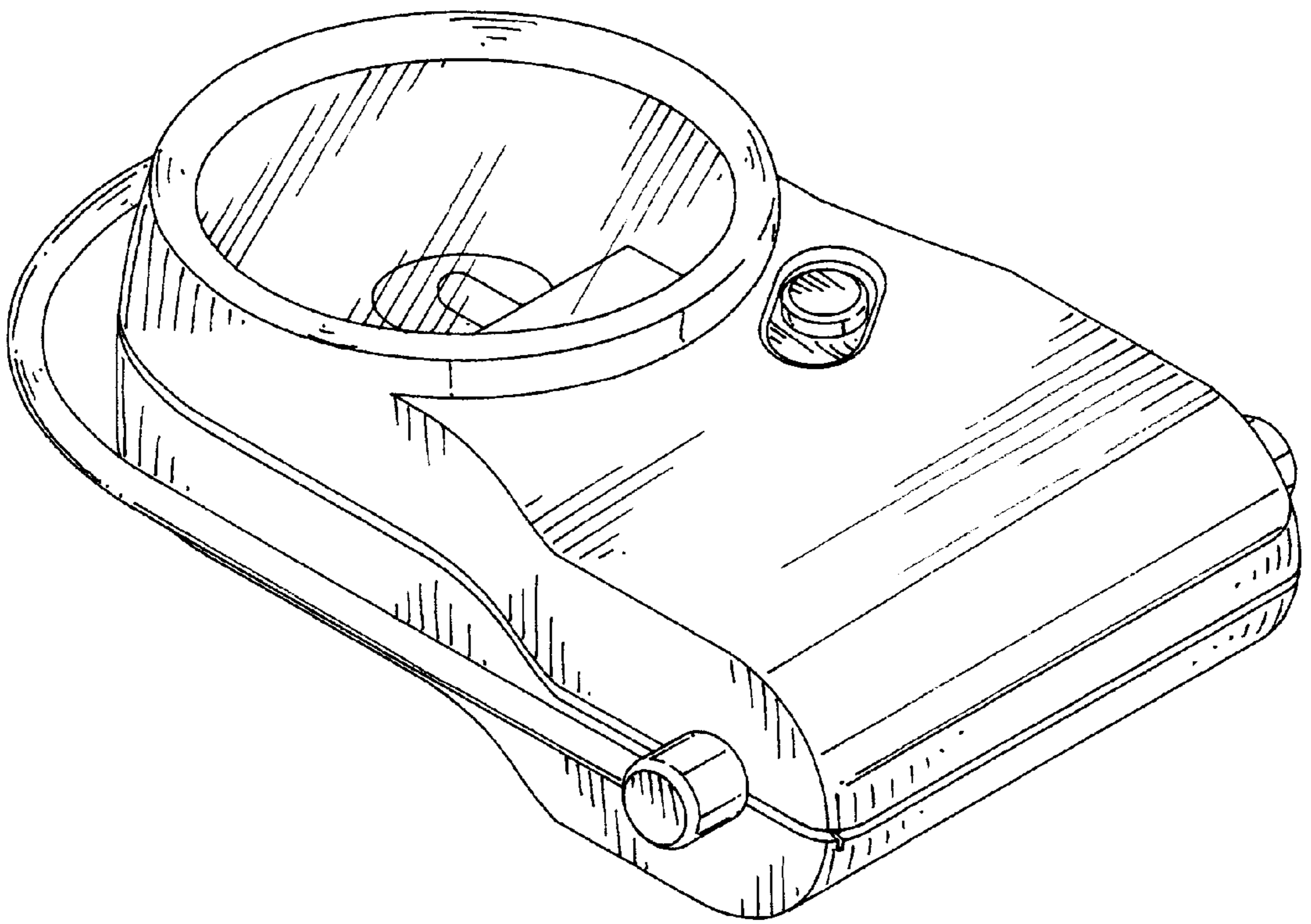


FIG. 1

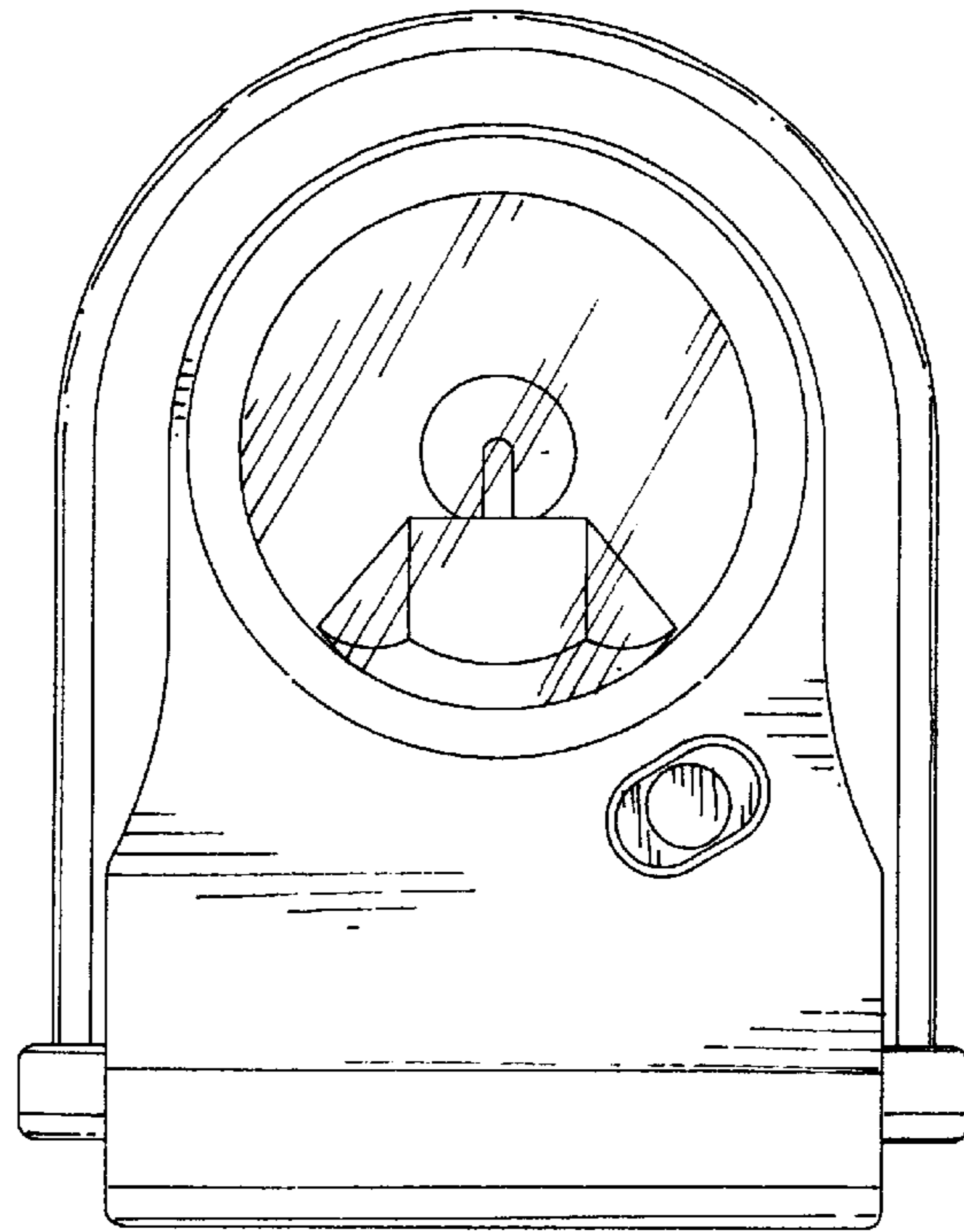


FIG. 2

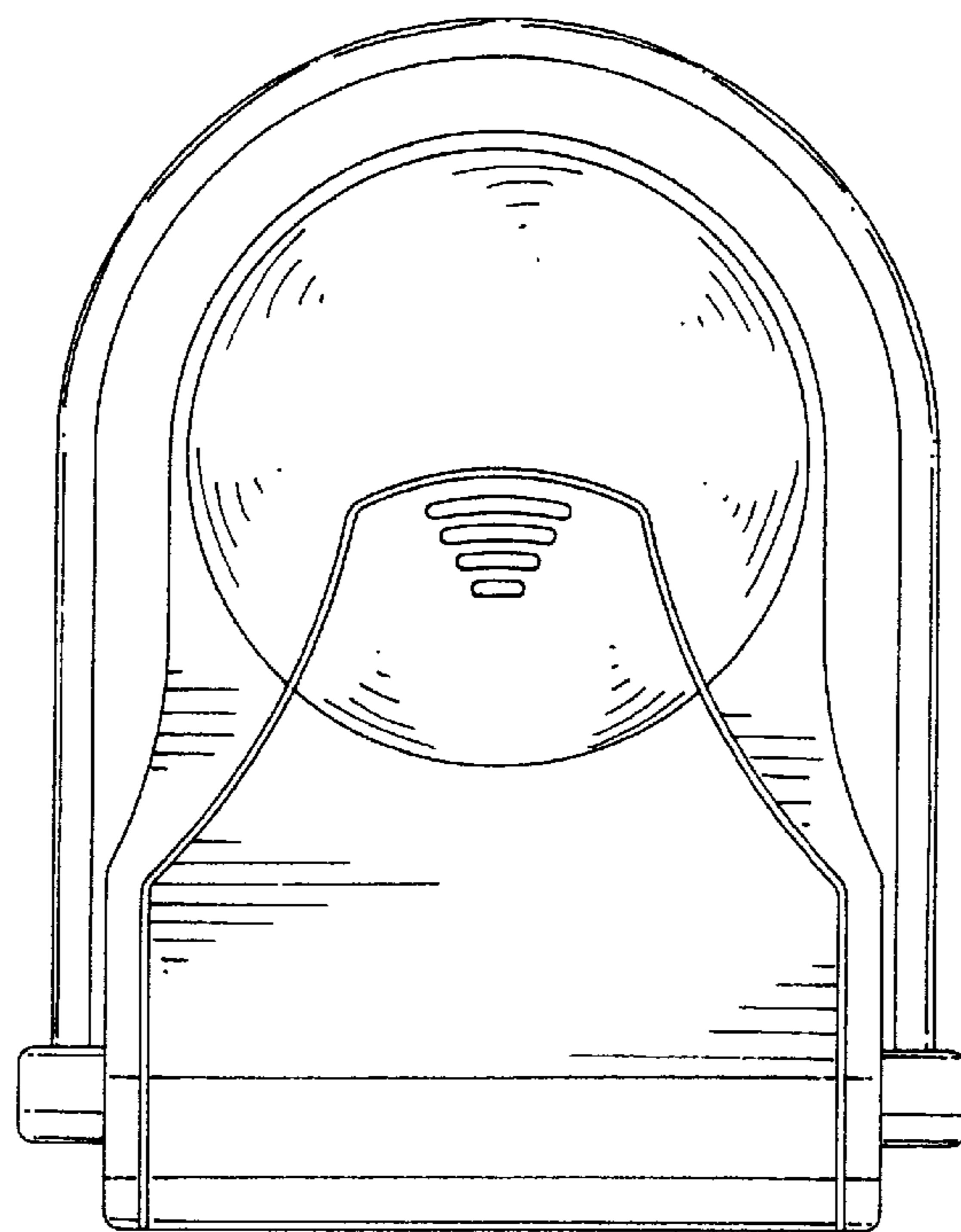


FIG. 3

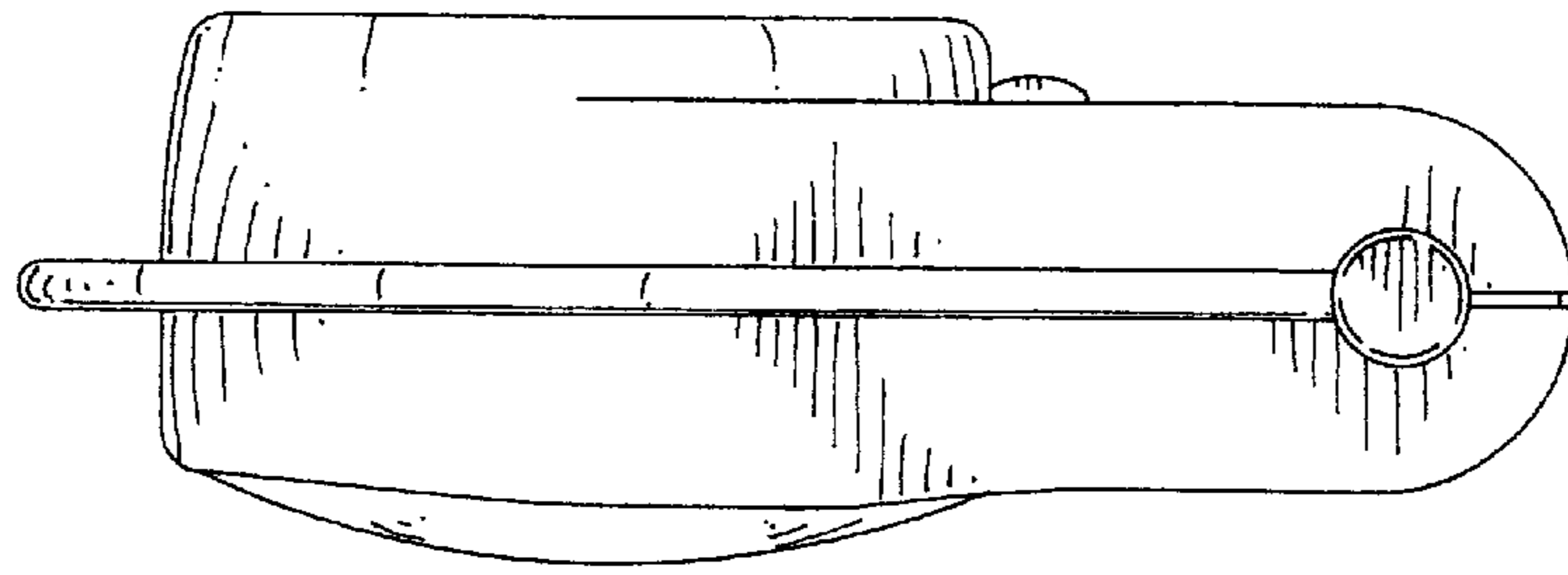


FIG. 4

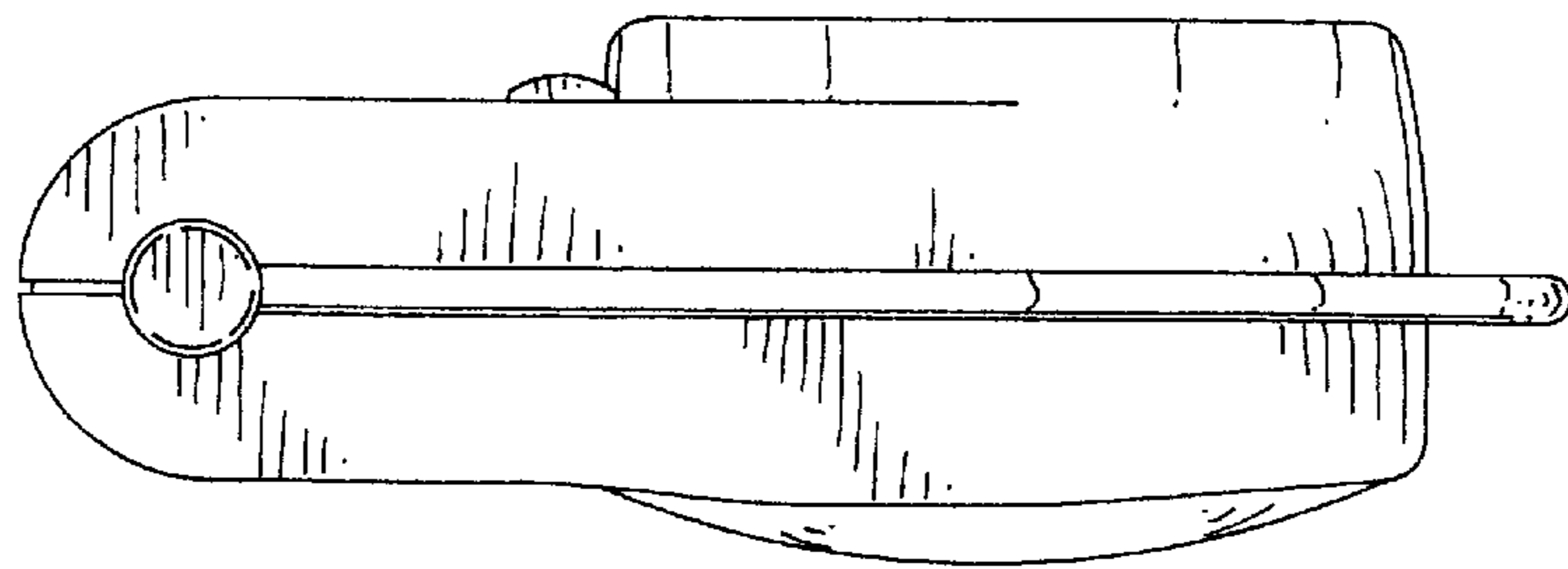


FIG. 5

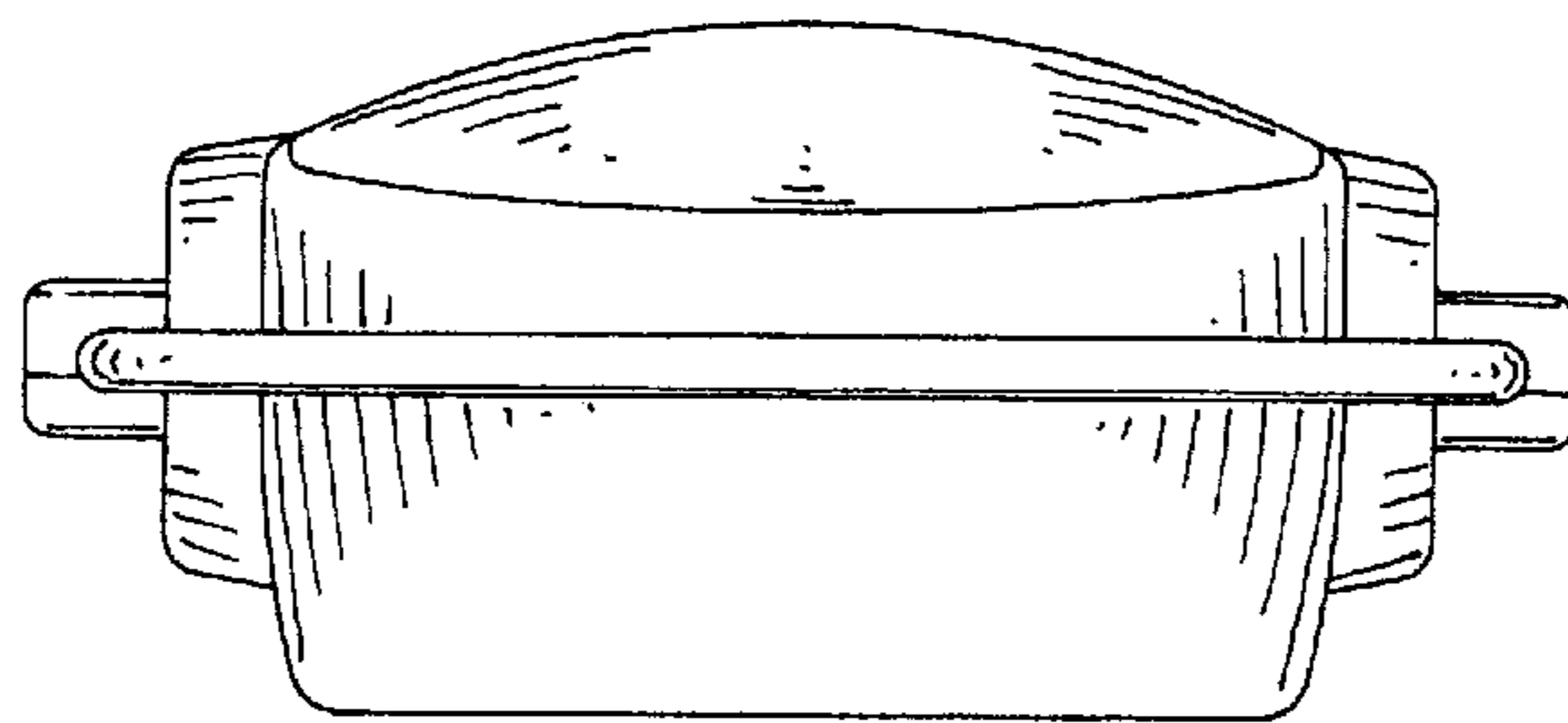


FIG. 6

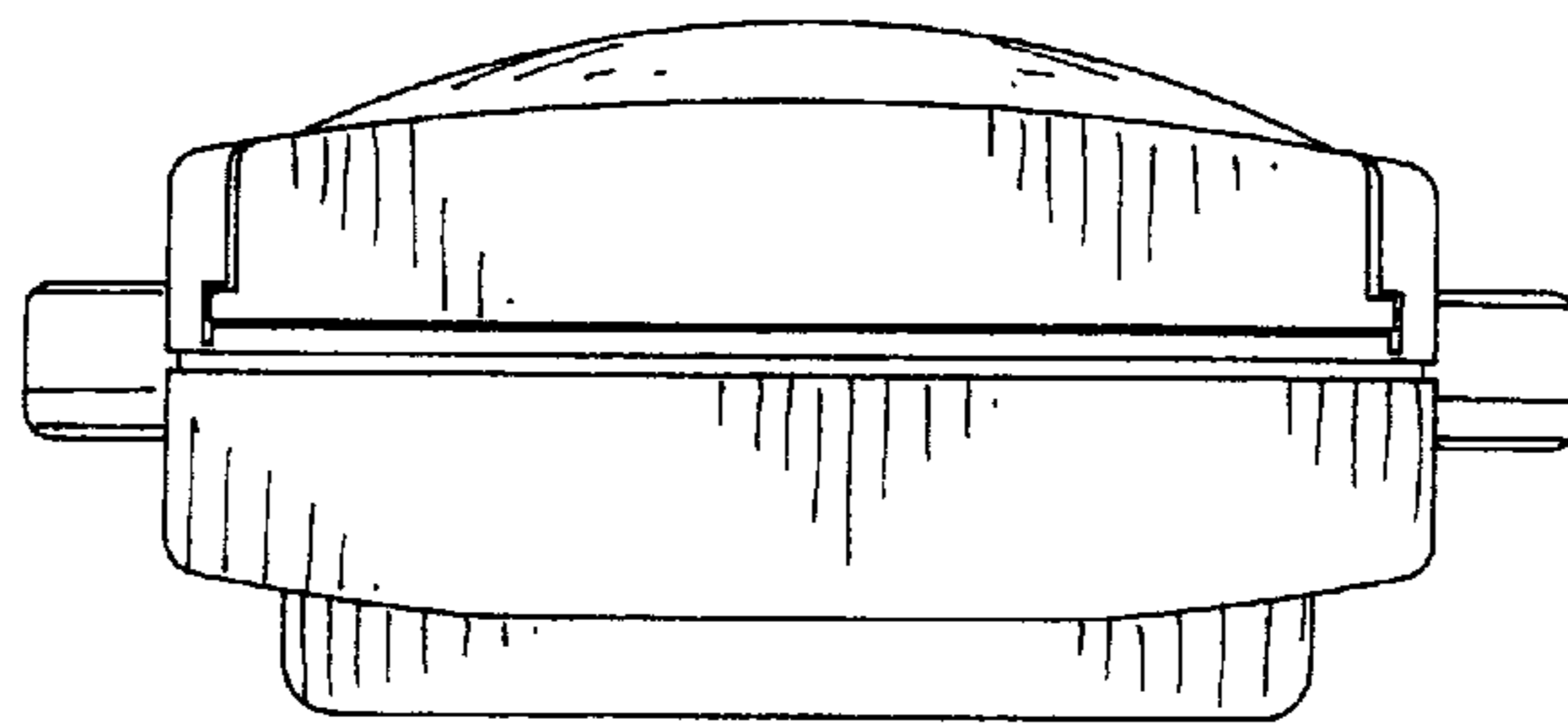


FIG. 7