



US00D411636S

United States Patent [19]
Petruzzi

[11] **Patent Number: Des. 411,636**
[45] **Date of Patent: ** *Jun. 29, 1999**

[54] **CARD LIGHT**

[76] Inventor: **Thomas G. Petruzzi**, 5118 Belleville Ave., Orlando, Fla. 32812

[*] Notice: This patent is subject to a terminal disclaimer.

[**] Term: **14 Years**

[21] Appl. No.: **29/090,096**

[22] Filed: **Jun. 30, 1998**

[51] **LOC (6) Cl.** **26-02**

[52] **U.S. Cl.** **D26/37**

[58] **Field of Search** D26/37-50; 362/157, 362/158, 183-208

[56] **References Cited**

U.S. PATENT DOCUMENTS

D. 336,688	6/1993	Osterhout	D26/37
D. 367,720	3/1996	Sinclair	D26/37
D. 396,120	7/1998	Petruzzi	D26/37
D. 402,067	12/1998	Sinclair	D26/37

Primary Examiner—Marcus A. Jackson
Attorney, Agent, or Firm—Allen, Dyer, Doppelt, Milbrath & Gilchrist, P.A.

[57] **CLAIM**

The ornamental design for a card light, as shown and described.

DESCRIPTION

FIG. 1 is a top plan view of a card light showing my new design, the bottom view being a mirror image;
FIG. 2 is a front elevation view thereof;
FIG. 3 is a rear elevation view thereof;
FIG. 4 is a right side view thereof, the left side being a mirror image;
FIG. 5 is a top left perspective and exploded view thereof illustrating a pen carried therein;
FIG. 6 is a top plan view of the pen, the bottom view being a mirror image;
FIG. 7 is a front elevation view thereof, the rear elevation view being a mirror image;

FIG. 8 is a right side view thereof;
FIG. 9 is a left side view thereof;
FIG. 10 is a top plan view of a second embodiment of FIG. 1, the bottom view being a mirror image;
FIG. 11 is a front elevation view thereof;
FIG. 12 is a rear elevation view thereof;
FIG. 13 is a right side view thereof, the left side being a mirror image;
FIG. 14 is a top left perspective and exploded view thereof illustrating a pen carried therein;
FIG. 15 is a top plan view of the pen, the bottom view being a mirror image;
FIG. 16 is a front elevation view thereof, the rear elevation view being a mirror image;
FIG. 17 is a right side view thereof;
FIG. 18 is a left side view thereof;
FIG. 19 is a top plan view of a third embodiment of FIG. 1, the bottom view being a mirror image;
FIG. 20 is a front elevation view thereof, the rear being the mirror image;
FIG. 21 is a right side view thereof;
FIG. 22 is a left side view thereof;
FIG. 23 is a top left perspective and exploded view thereof illustrating a pen carried therein, descriptive views of the pen are as illustrated with reference to FIGS. 15-18;
FIG. 24 is a top plan view of a fourth embodiment of FIG. 1, the bottom view being a mirror image;
FIG. 25 is a front elevation view thereof, the rear being the mirror image;
FIG. 26 is a right side view thereof;
FIG. 27 is a left side view thereof;
FIG. 28 is a top left perspective and exploded view thereof illustrating a pen carried therein, descriptive views of the pen are as illustrated with reference to FIGS. 15-18;
FIG. 29 is a top plan view of a fifth embodiment of FIG. 1, the bottom view being a mirror image;
FIG. 30 is a front elevation view thereof, the rear being a mirror image;
FIG. 31 is a right side view thereof;
FIG. 32 is a left side view thereof;
FIG. 33 is a top left perspective and exploded view thereof illustrating a pen carried therein;
FIG. 34 is a top plan view of the pen, the bottom view being a mirror image;

(List continued on next page.)

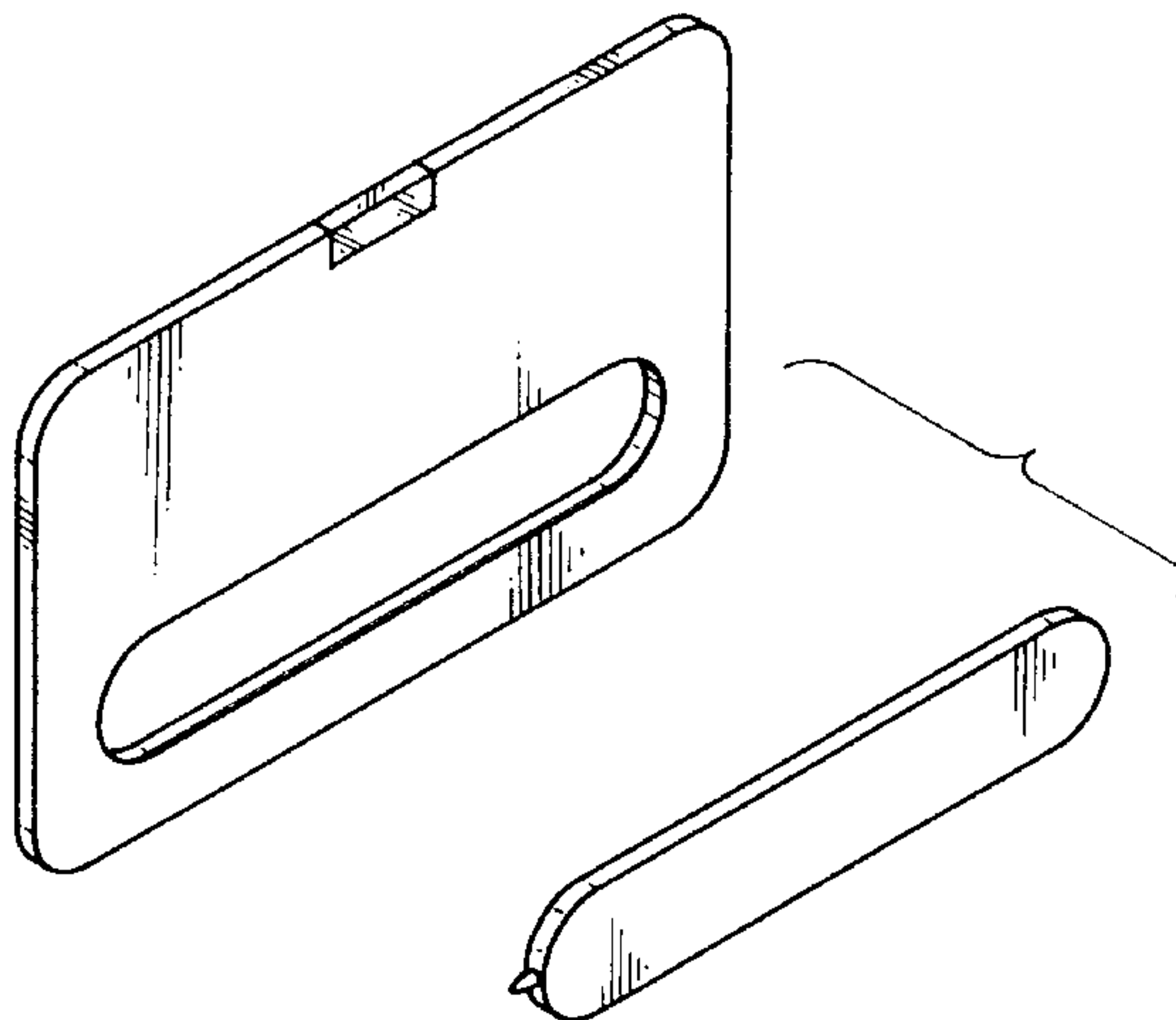
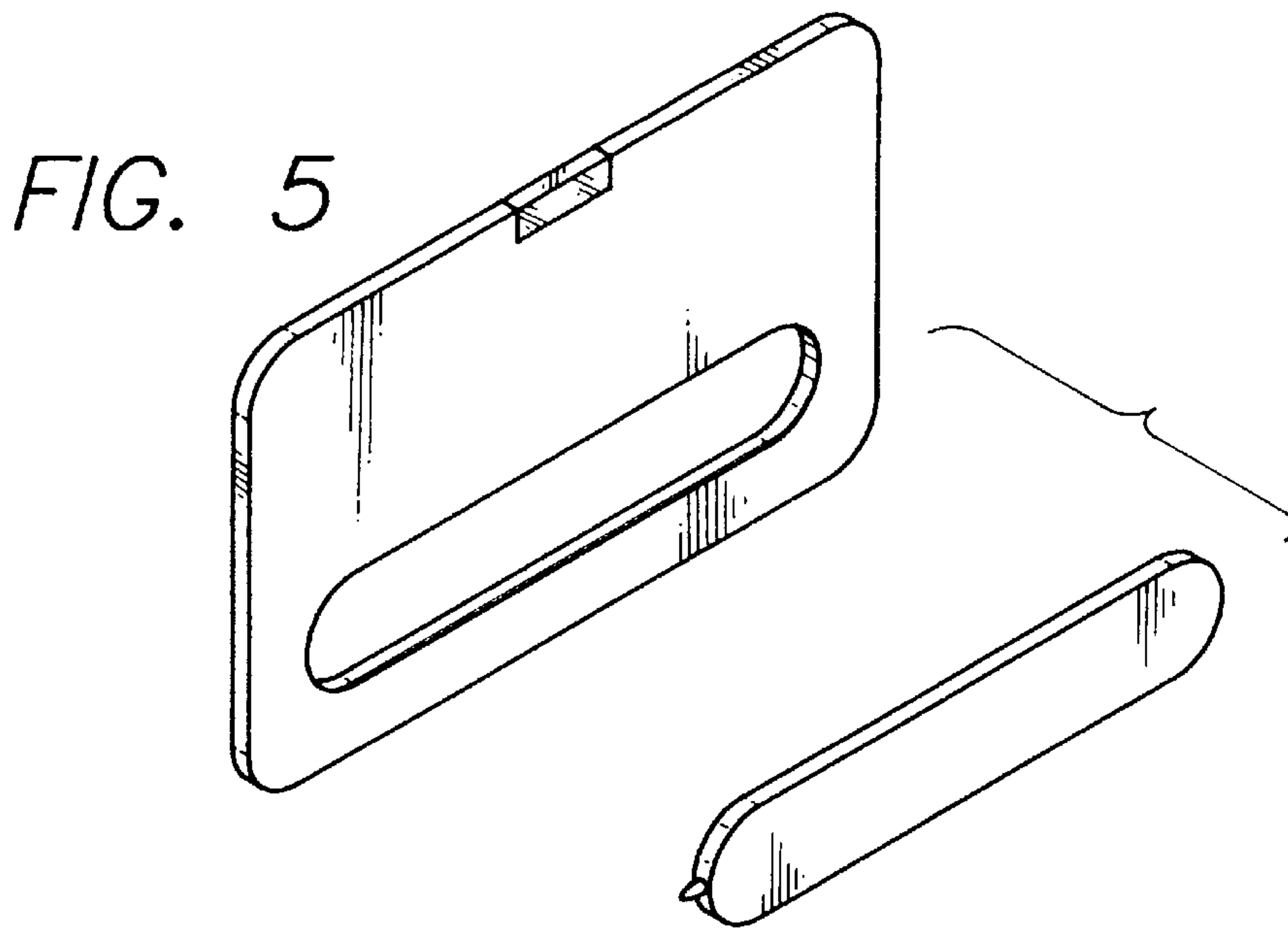
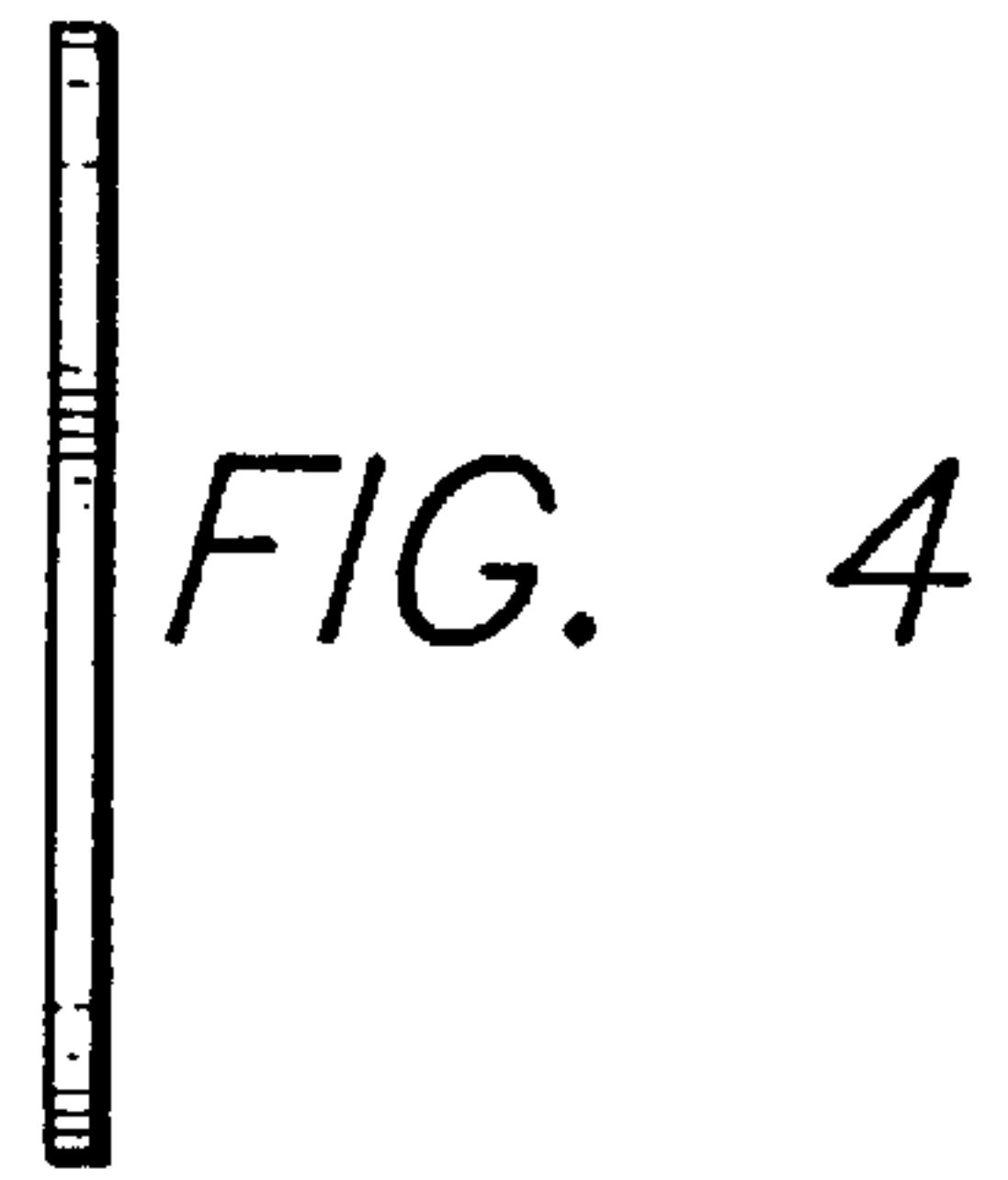
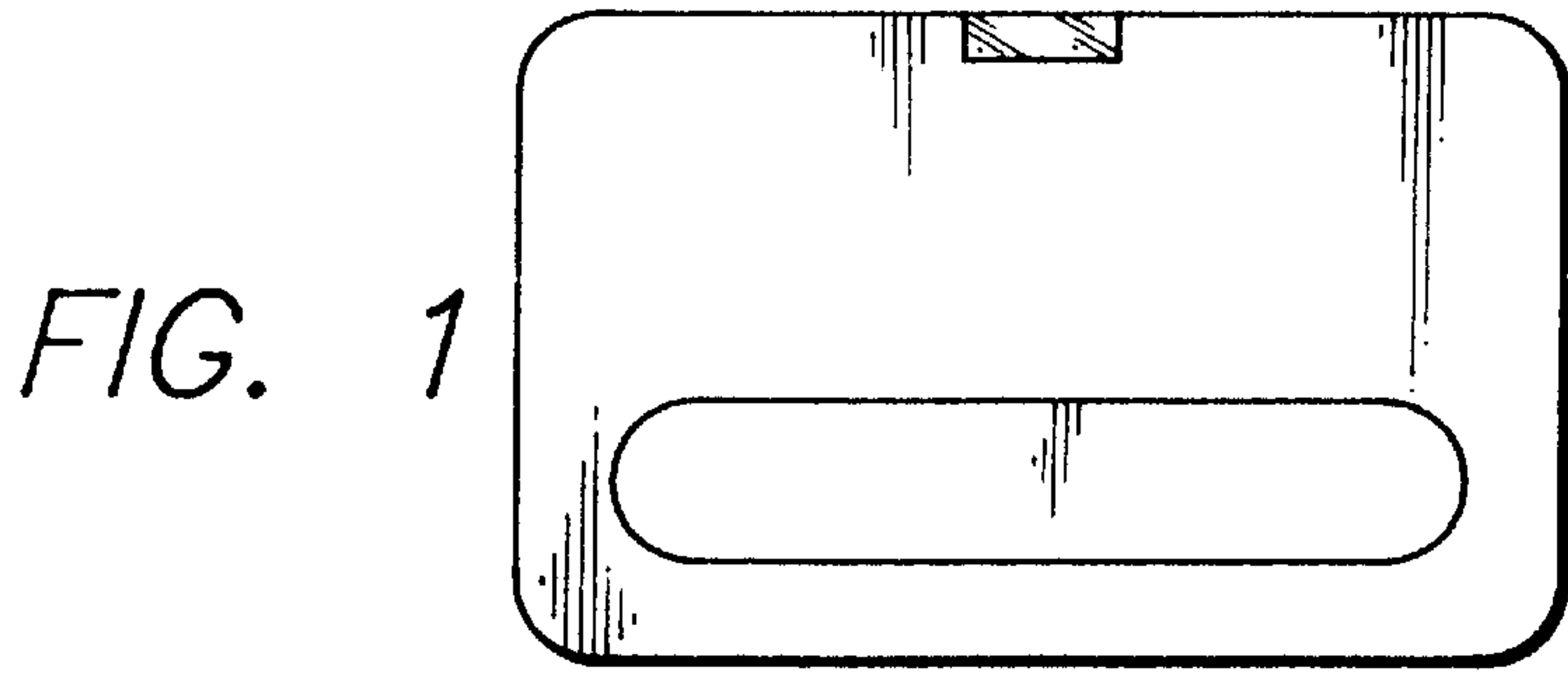


FIG. 35 is a front elevation view thereof, the rear elevation view being a mirror image;
FIG. 36 is a right side view thereof;
FIG. 37 is a left side view thereof;
FIG. 38 is a top plan view of a sixth embodiment of FIG. 1, the bottom view being a mirror image;
FIG. 39 is a front elevation view thereof, the rear being the mirror image;
FIG. 40 is a right side view thereof;
FIG. 41 is a left side view thereof;
FIG. 42 is a top left perspective and exploded view thereof illustrating a pen carried therein, descriptive views of the pen are as illustrated with reference to FIGS. 34-37;
FIG. 43 is a top plan view of a seventh embodiment of FIG. 1;
FIG. 44 is a bottom plan view thereof;
FIG. 45 is a front elevation view thereof, the rear view being a mirror image;
FIG. 46 is a right side view thereof;
FIG. 47 is a left side view thereof;
FIG. 48 is a top left perspective thereof;
FIG. 49 is a top plan view of an eighth embodiment of FIG. 1, the bottom view being a mirror image;
FIG. 50 is a front elevation view thereof;
FIG. 51 is a rear elevation view thereof;
FIG. 52 is a right side view thereof, the left side being a mirror image;
FIG. 53 is a top left perspective and exploded view thereof illustrating a pen carried therein;
FIG. 54 is a top plan view of the pen, the bottom view being a mirror image;
FIG. 55 is a front elevation view thereof, the rear elevation view being a mirror image;
FIG. 56 is a right side view thereof;
FIG. 57 is a left side view thereof;
FIG. 58 is a top plan view of a ninth embodiment of FIG. 1;
FIG. 59 is a bottom plan view thereof;
FIG. 60 is a front elevation view;
FIG. 61 is a rear elevation thereof;
FIG. 62 is a right side view thereof, the left side being a mirror image;

FIG. 63 is a top left perspective and exploded view thereof illustrating a pen carried therein, descriptive views of the pen are as illustrated with reference to FIGS. 54-57;
FIG. 64 is a top plan view of a tenth embodiment of FIG. 1, the bottom view being a mirror image;
FIG. 65 is a front elevation view thereof, the rear elevation view being a mirror image;
FIG. 66 is a right side view thereof;
FIG. 67 is a left side view thereof;
FIG. 68 is a top left perspective and exploded view thereof illustrating a pen carried therein;
FIG. 69 is a top plan view of the pen, the bottom view being a mirror image;
FIG. 70 is a front elevation view thereof, the rear elevation view being a mirror image;
FIG. 71 is a right side view thereof;
FIG. 72 is a left side view thereof;
FIG. 73 is a top plan view of an eleventh embodiment of FIG. 1, the bottom view being a mirror image;
FIG. 74 is a front elevation view thereof;
FIG. 75 is a rear elevation view thereof;
FIG. 76 is a right side view thereof;
FIG. 77 is a left side view thereof;
FIG. 78 is a top left perspective and exploded view thereof illustrating a pen carried therein, descriptive views of the pen are as illustrated with reference to FIGS. 54-57;
FIG. 79 is a top plan view of a twelfth embodiment of FIG. 1, the bottom view being a mirror image;
FIG. 80 is a front elevation view thereof;
FIG. 81 is a rear elevation view thereof;
FIG. 82 is a right side view thereof;
FIG. 83 is a left side view thereof; and,
FIG. 84 is a top left perspective and exploded view thereof illustrating a pen carried therein, descriptive views of the pen are as illustrated with reference to FIGS. 54-57.
The broken line showings are for illustrative purposes only and form no part on the claimed design.

1 Claim, 12 Drawing Sheets



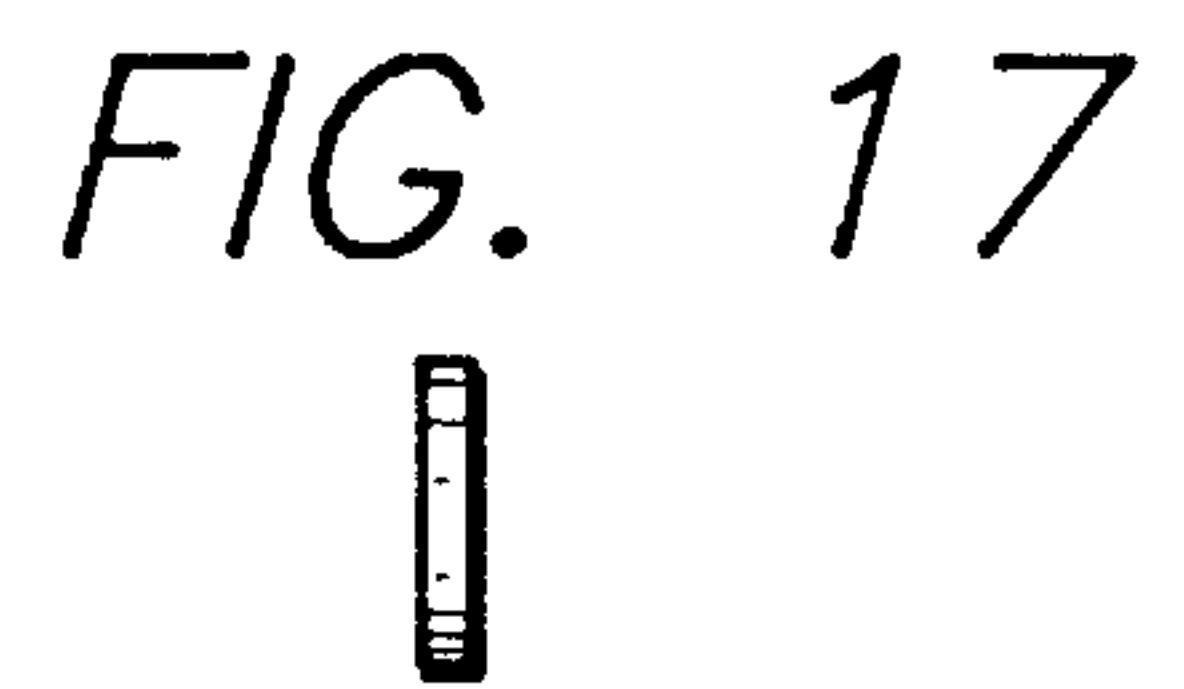
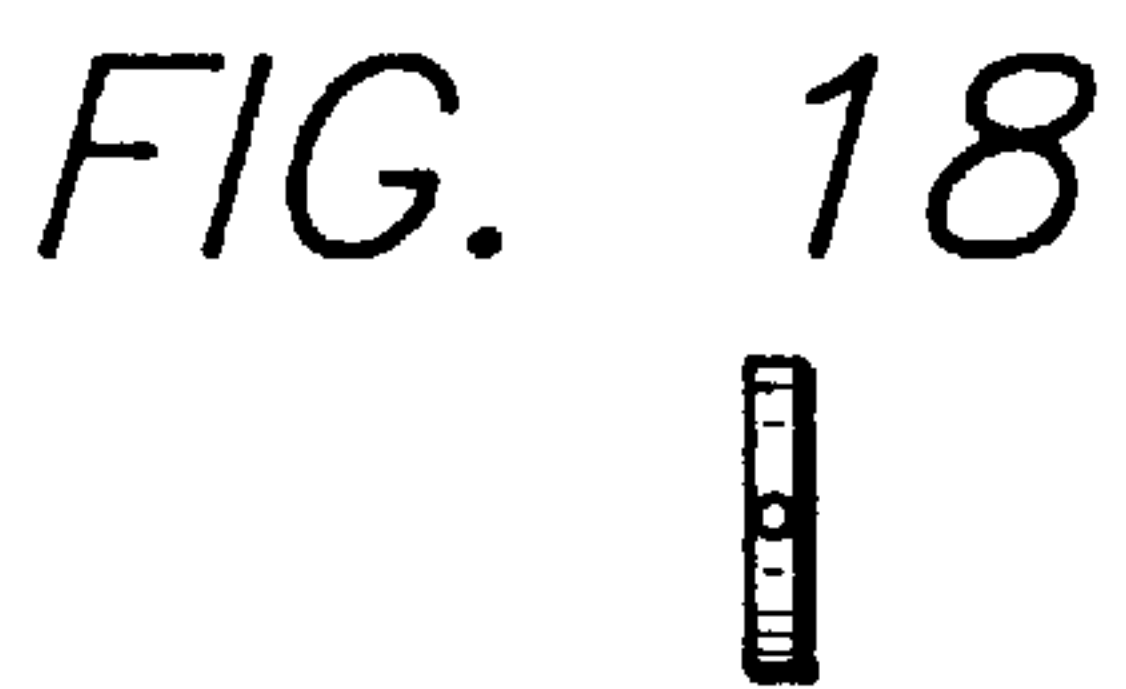
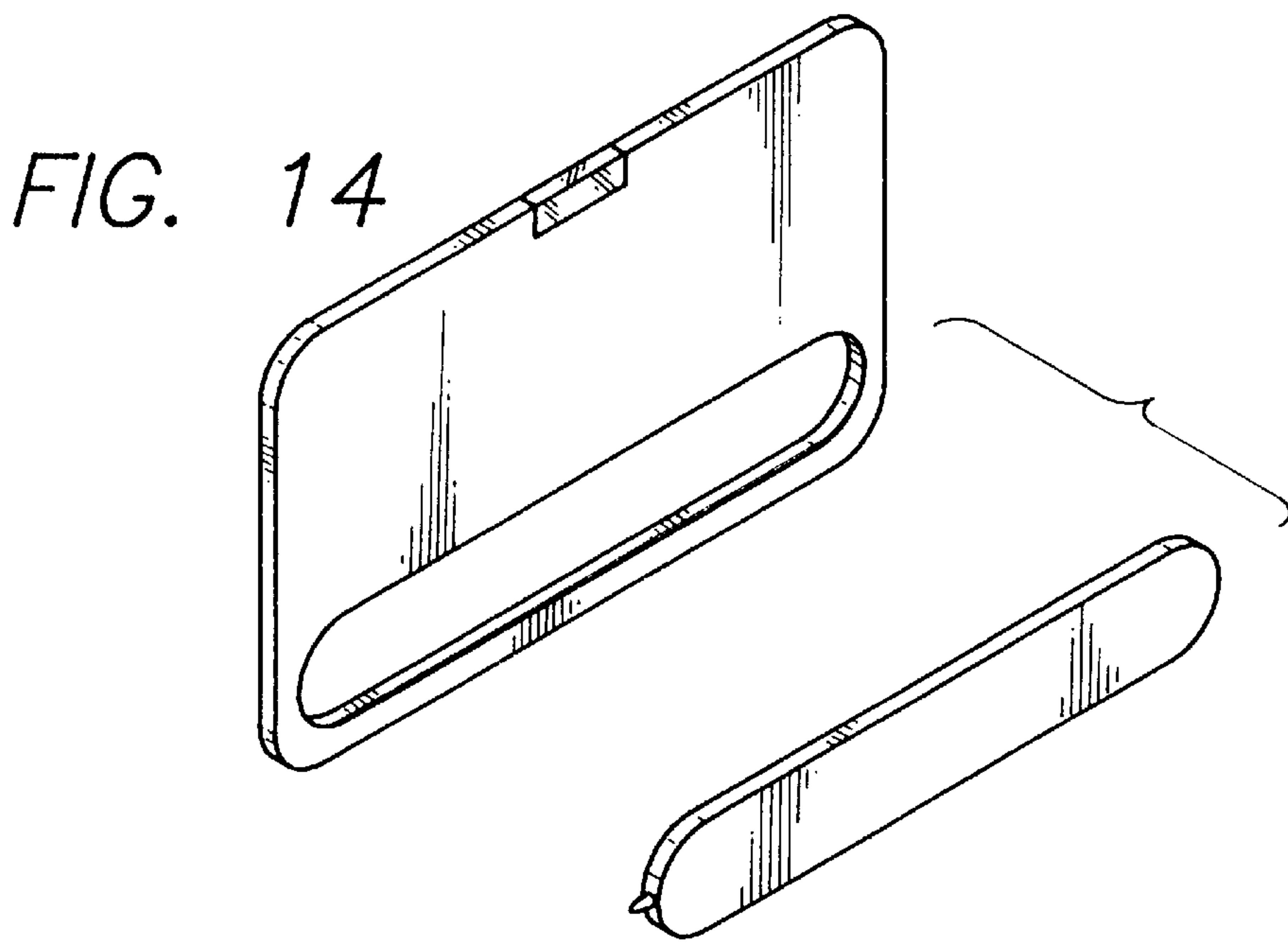
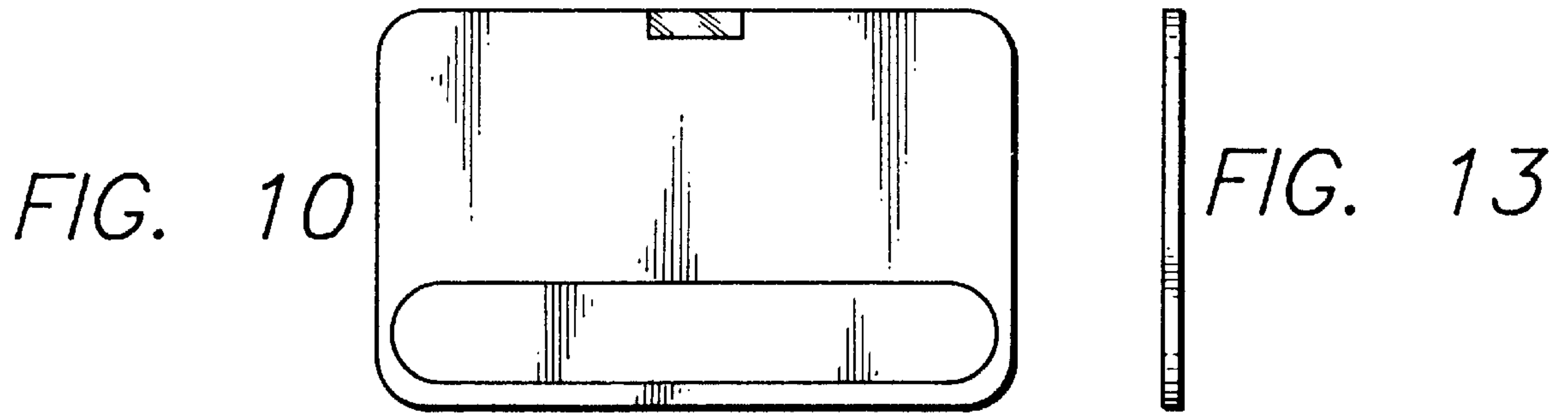


FIG. 20

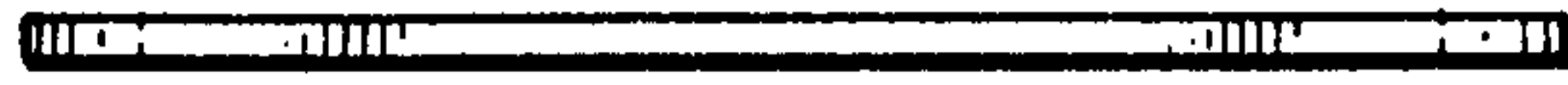


FIG. 22



FIG. 21

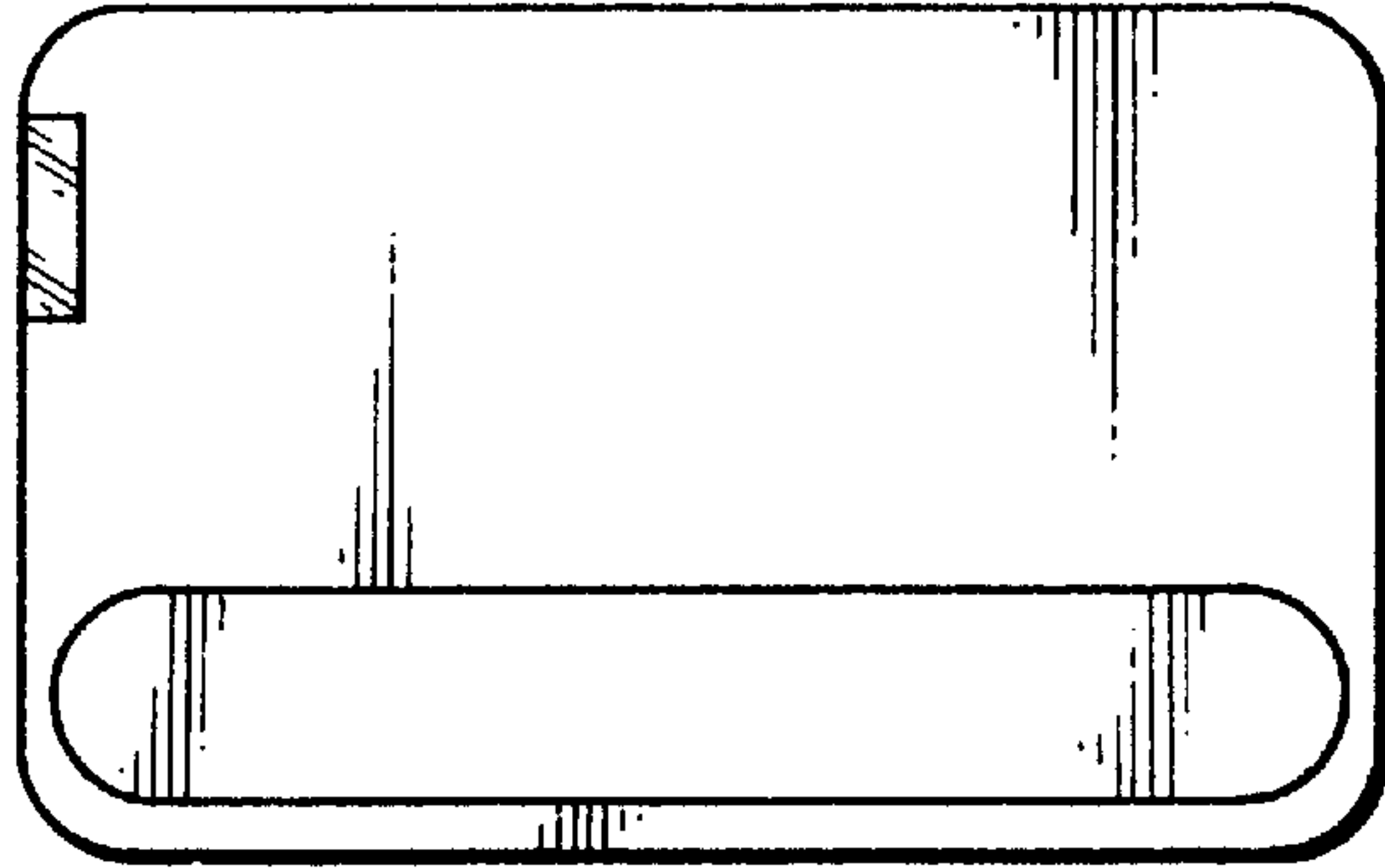


FIG. 19

FIG. 23

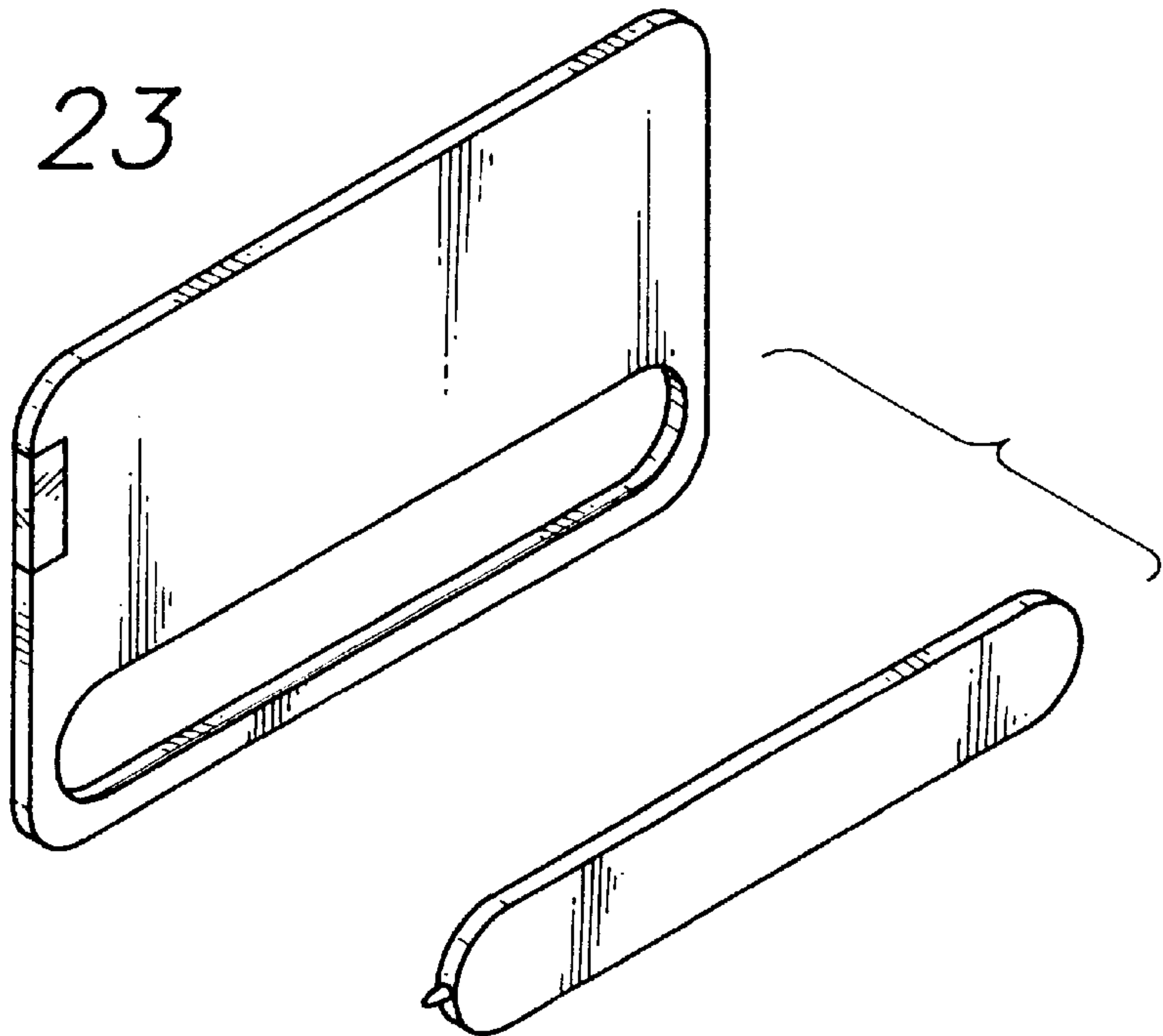


FIG. 25

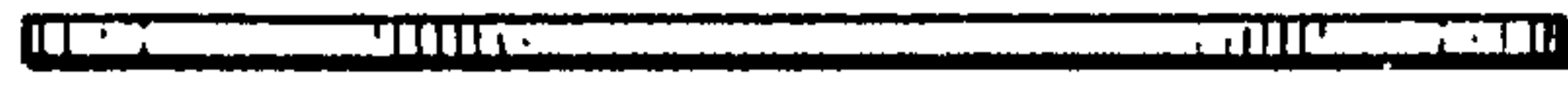


FIG. 27



FIG. 26

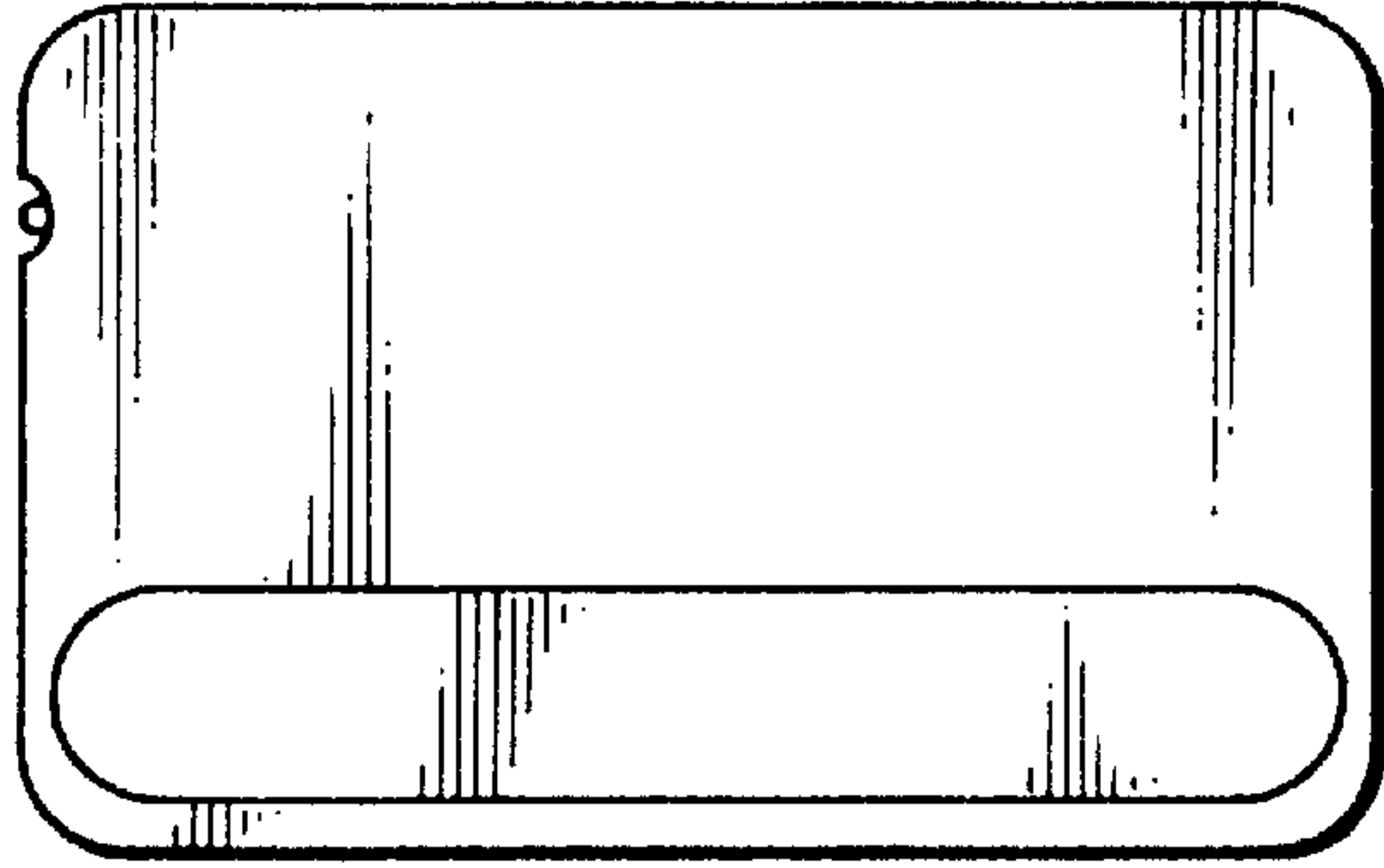


FIG. 24

FIG. 28

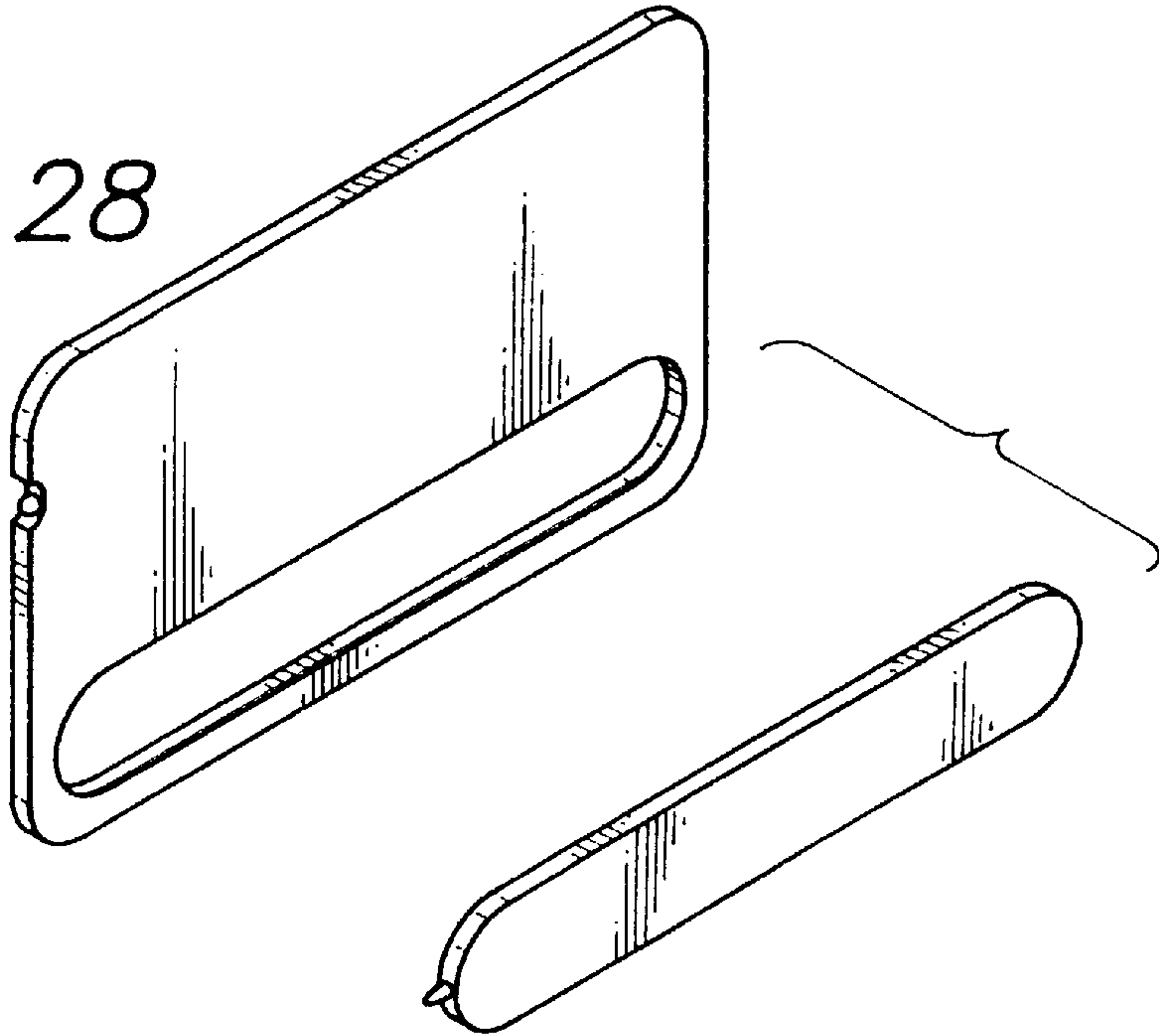


FIG. 29

FIG. 31

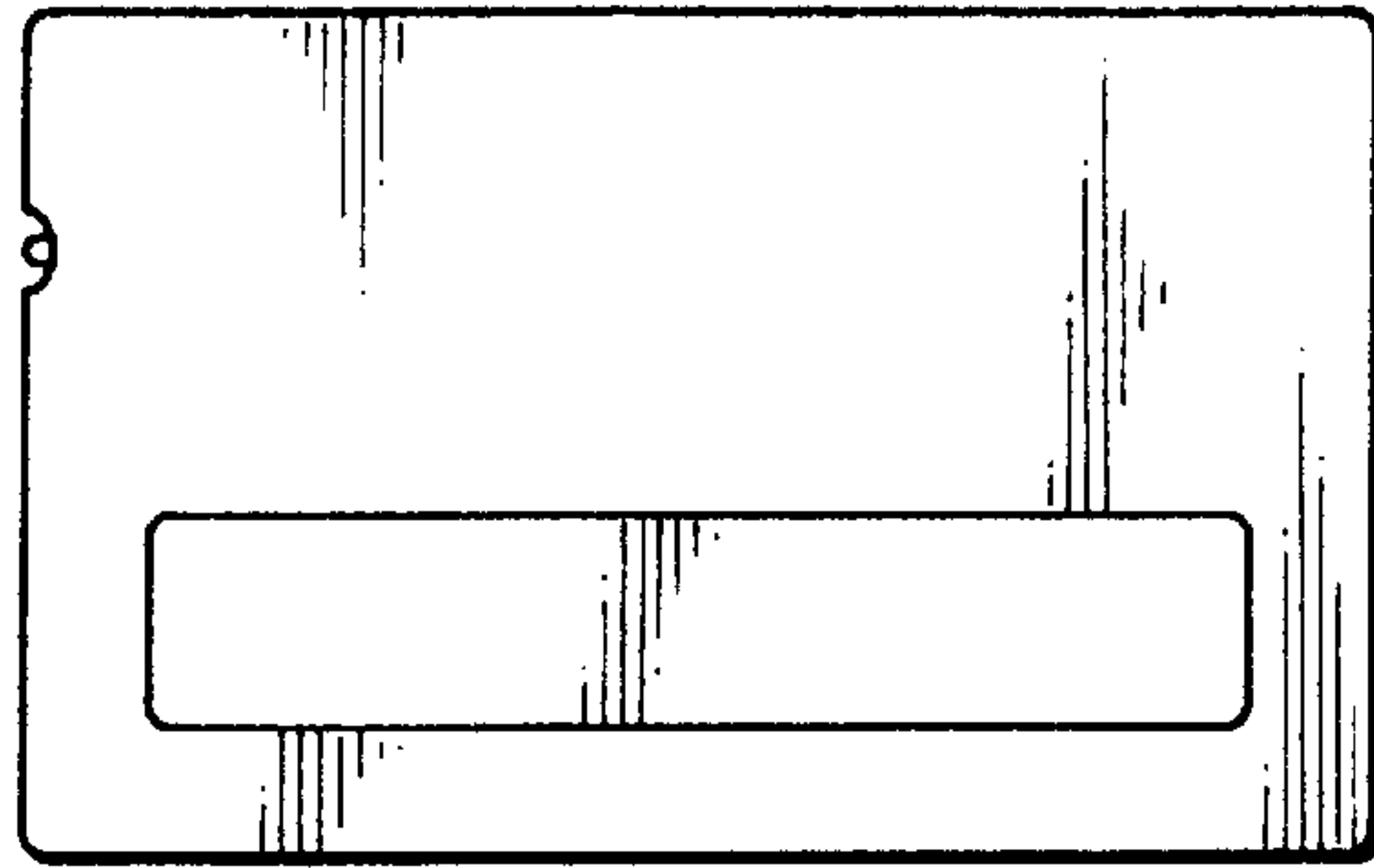


FIG. 32

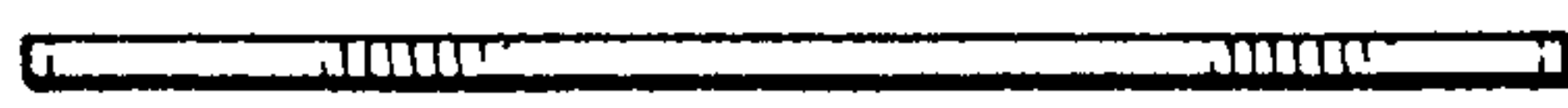


FIG. 30

FIG. 33

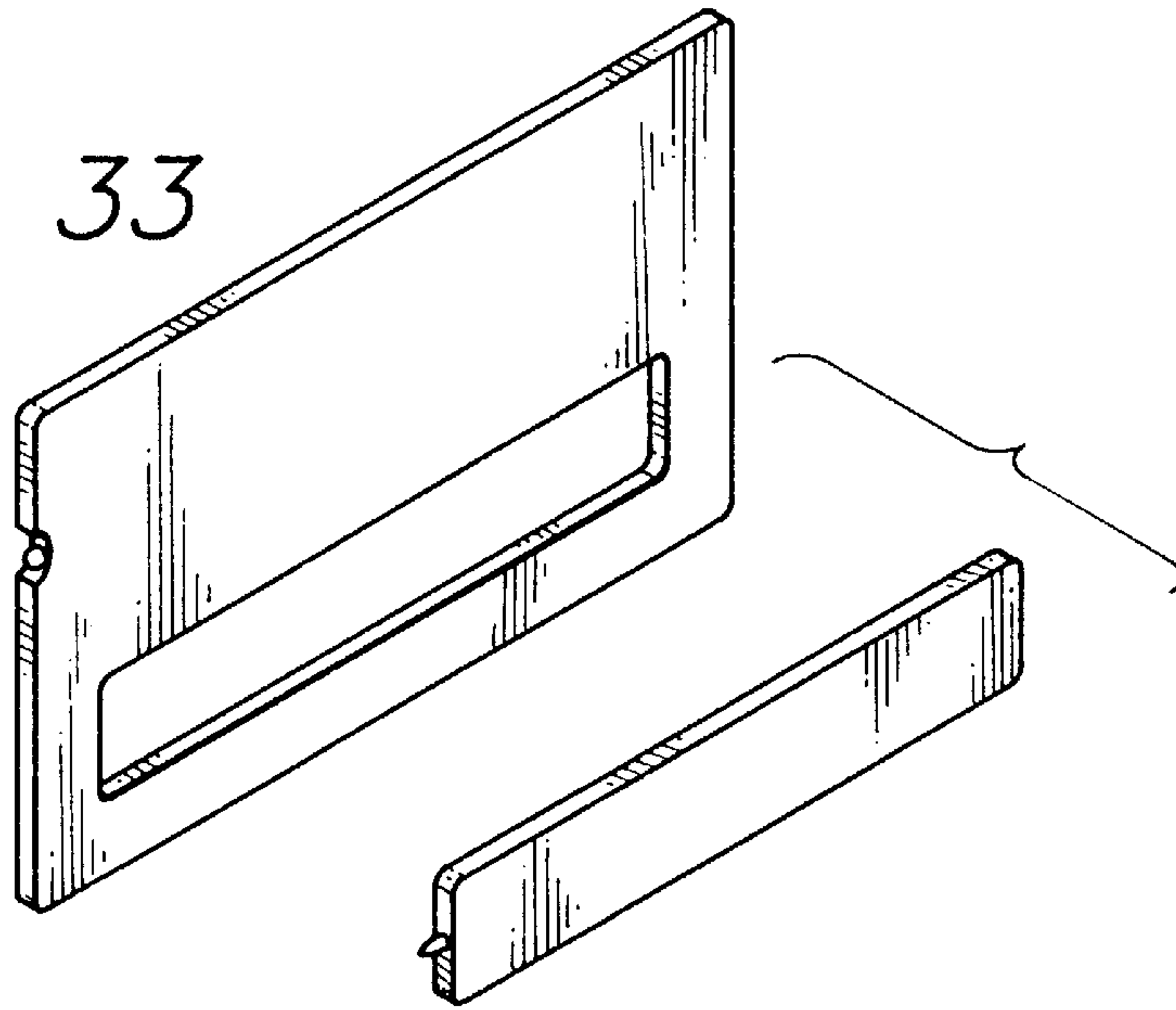


FIG. 35

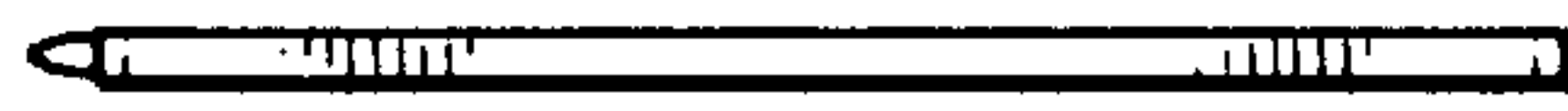


FIG. 37



FIG. 36

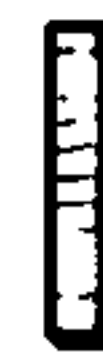


FIG. 34

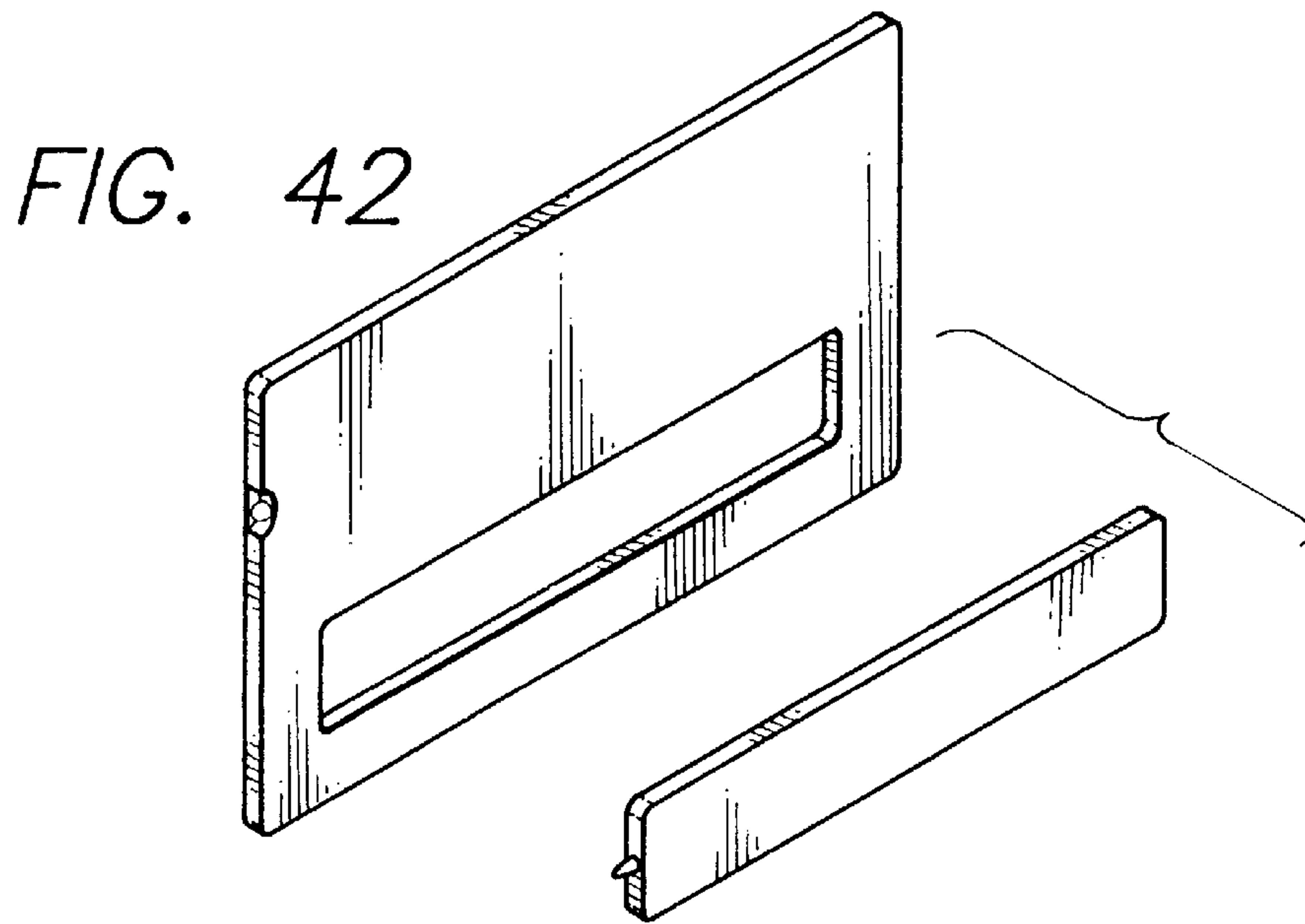
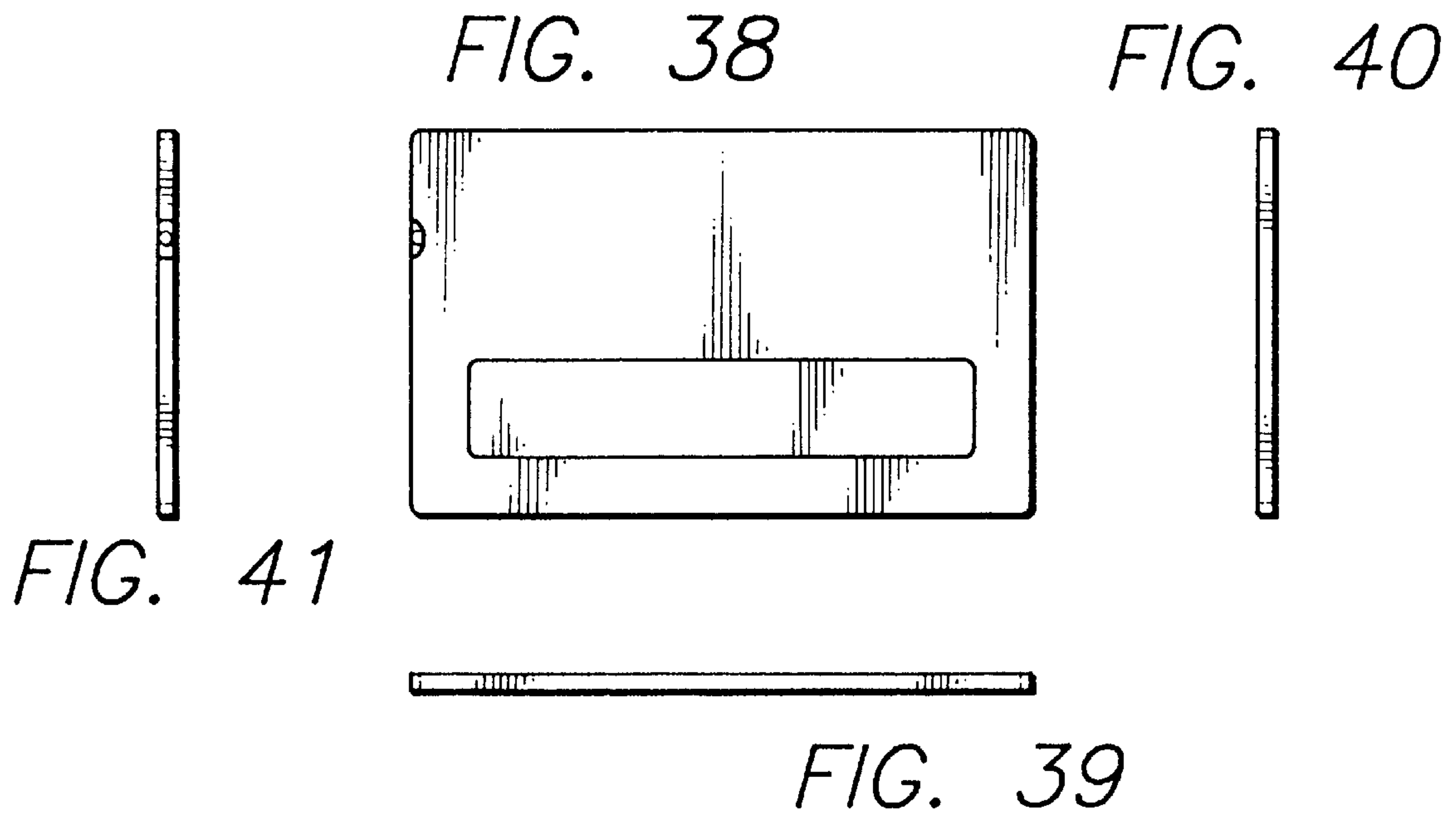


FIG. 44

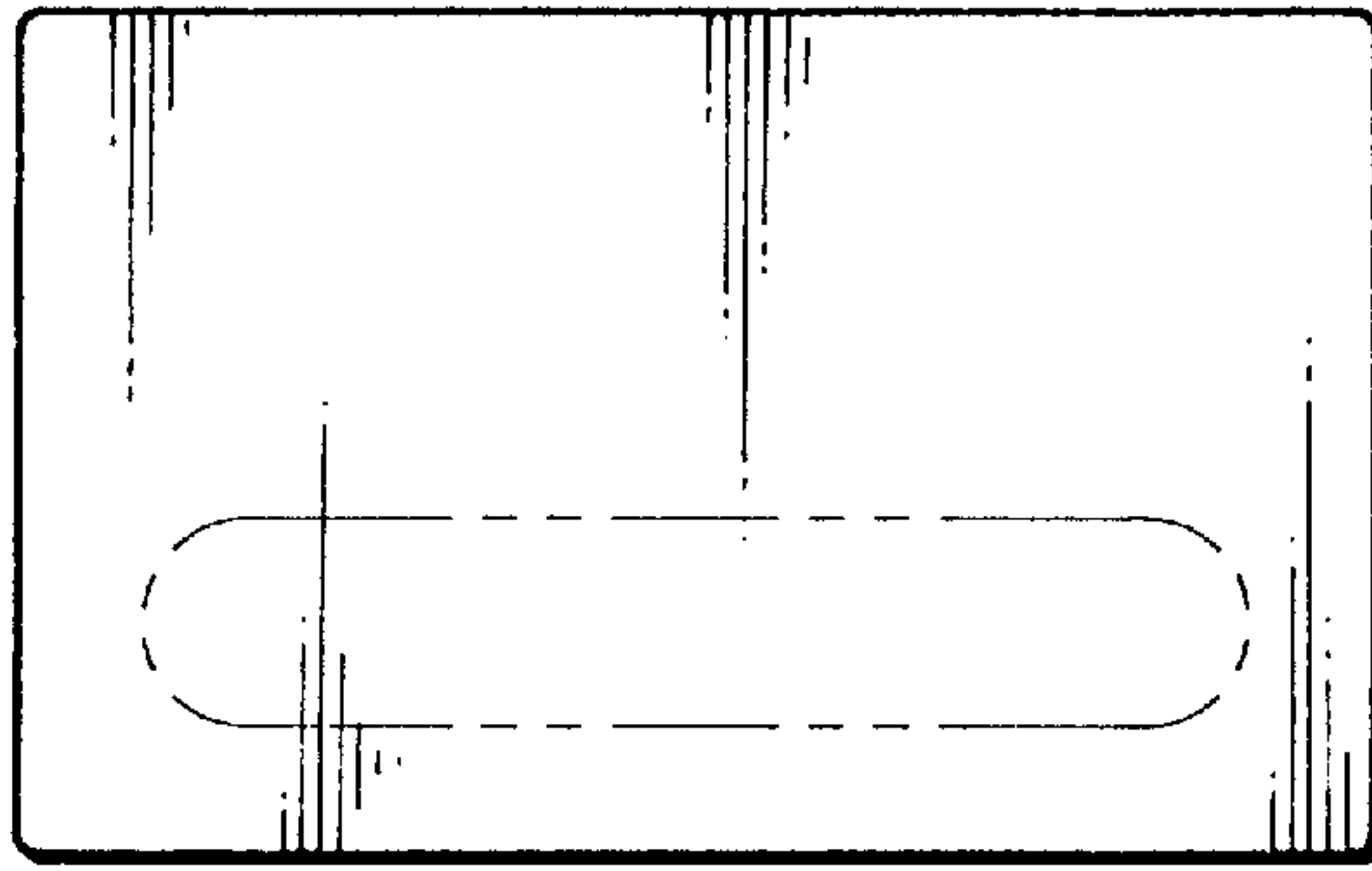


FIG. 43

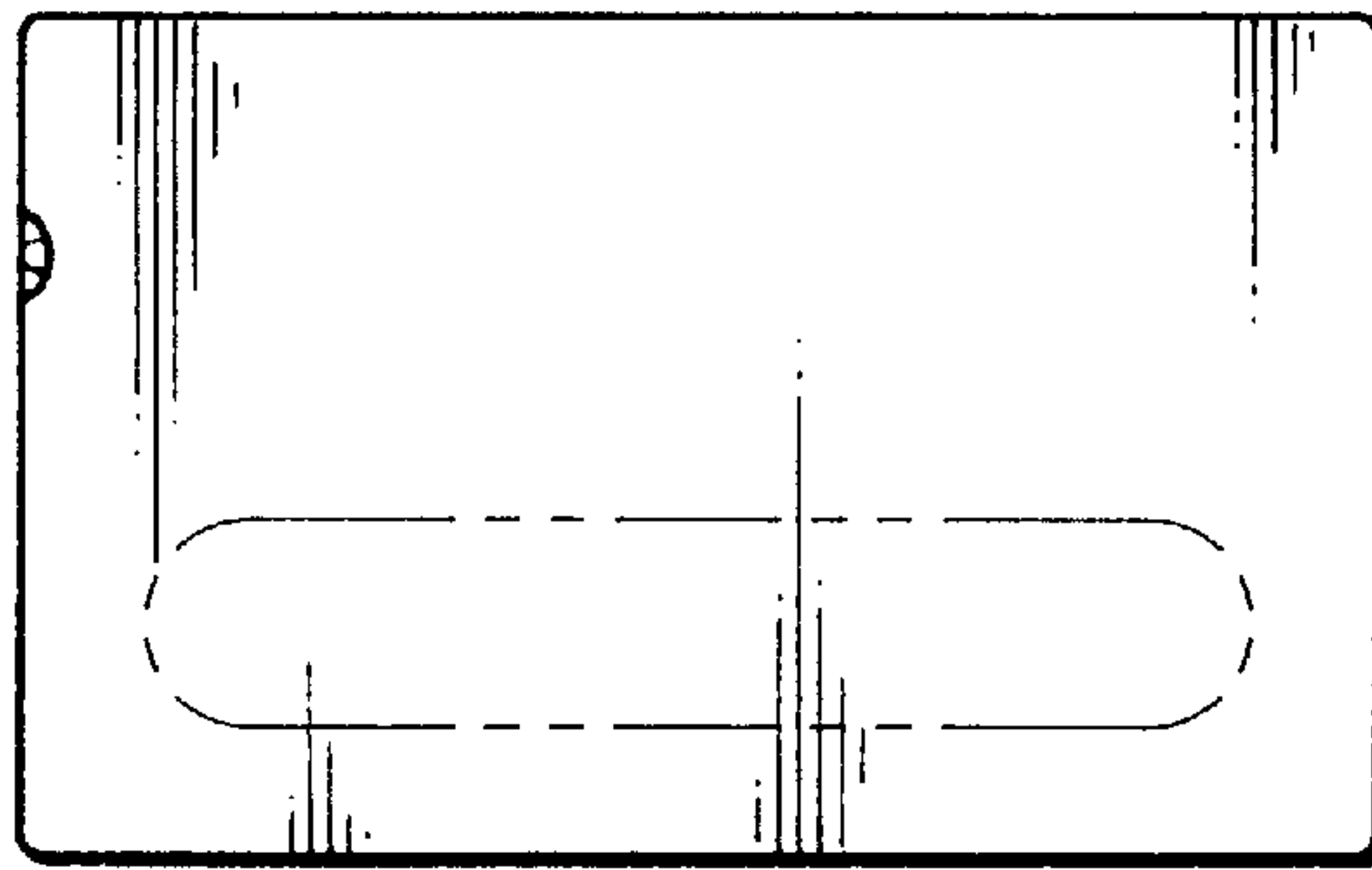


FIG. 46



FIG. 47

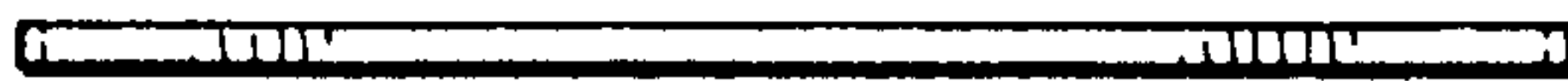


FIG. 45

FIG. 48

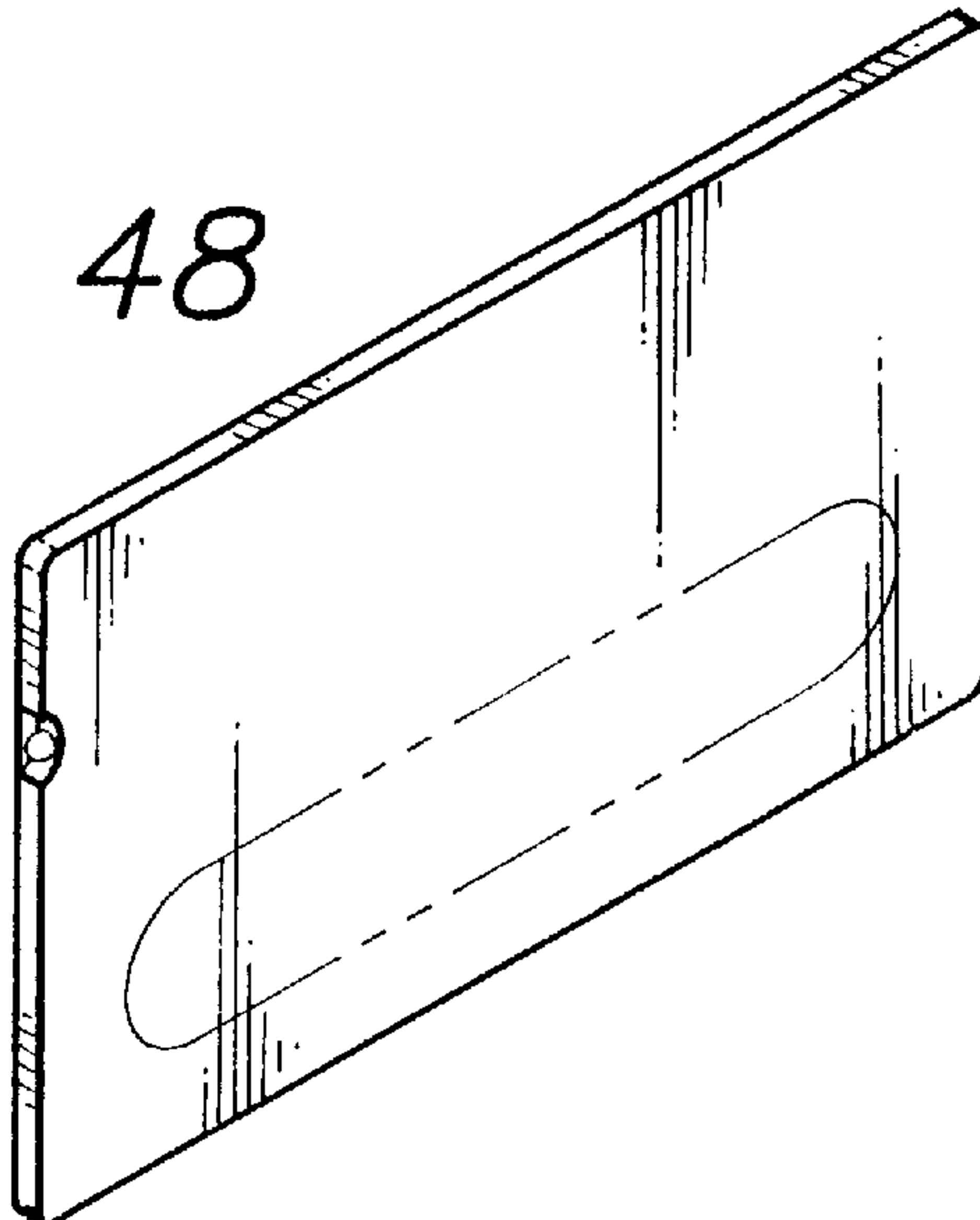




FIG. 49

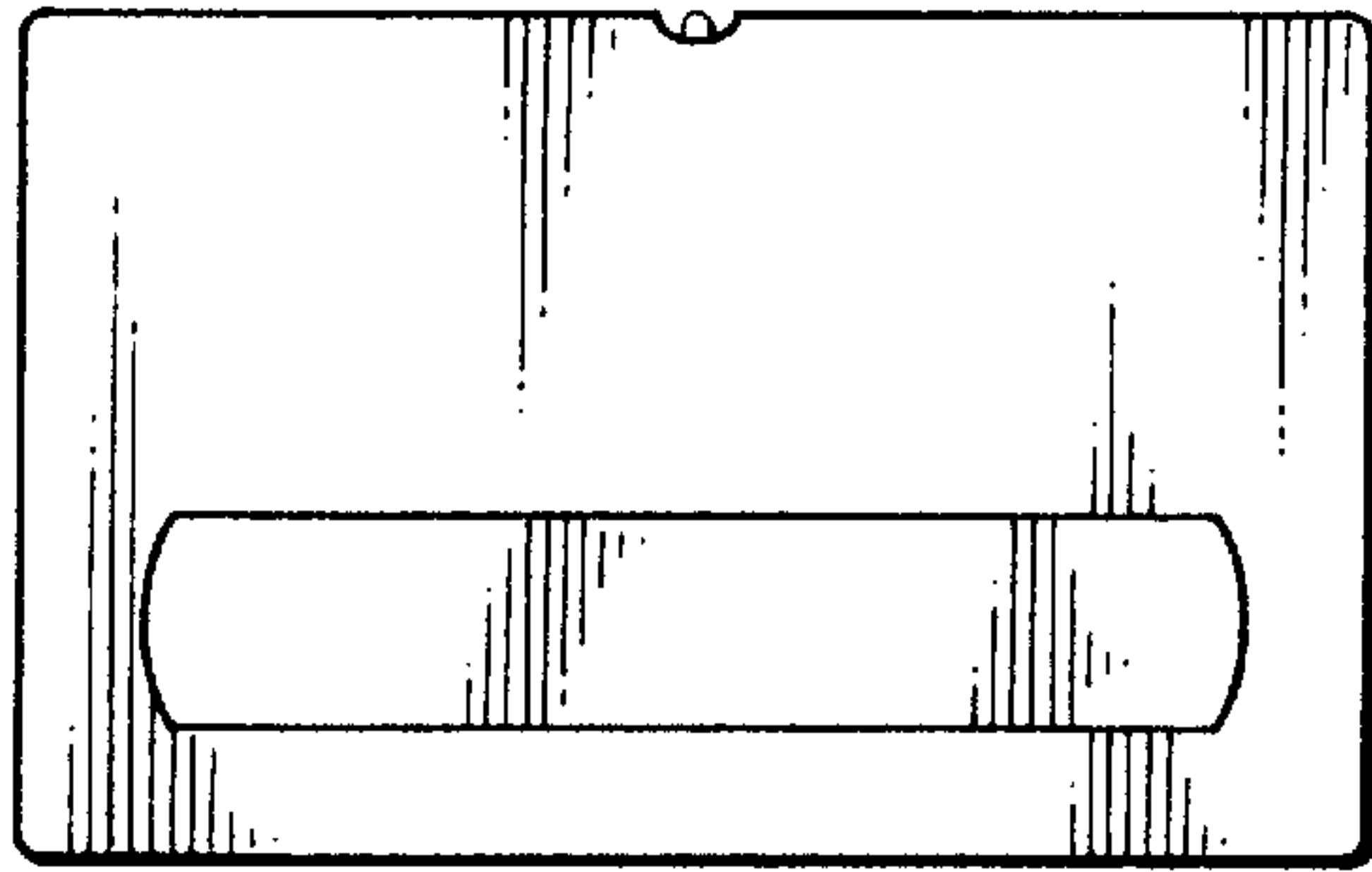


FIG. 52

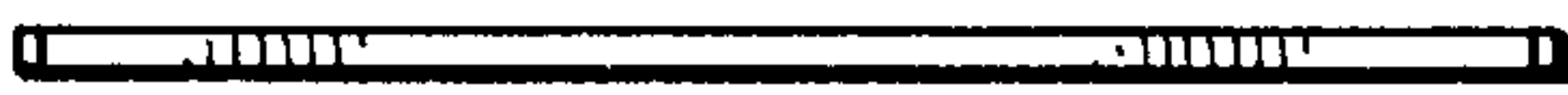


FIG. 51

FIG. 53

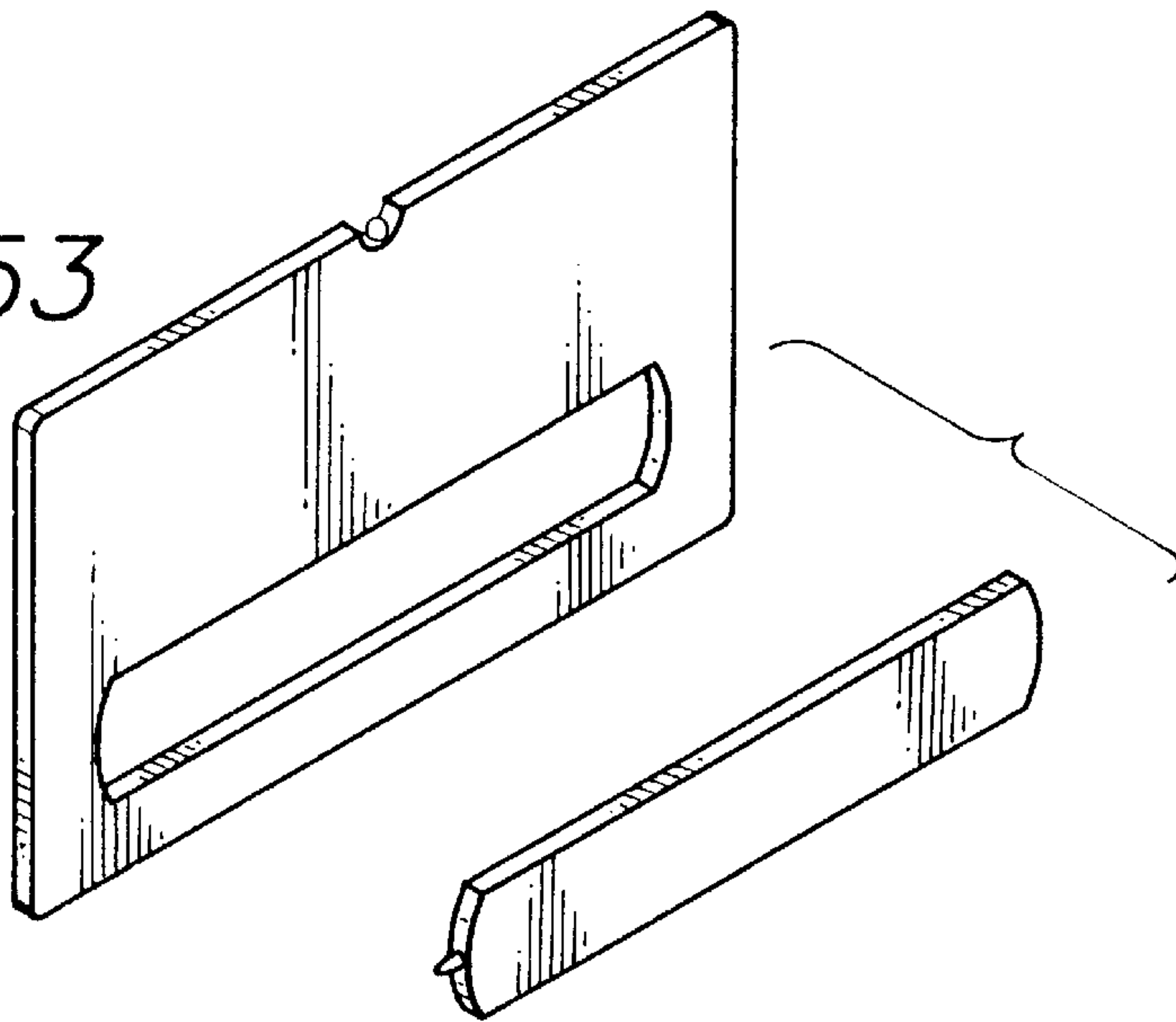


FIG. 55

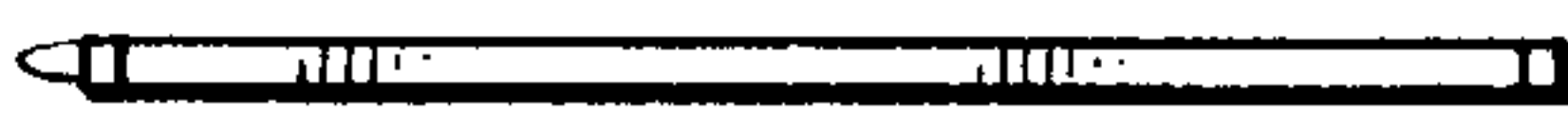


FIG. 57



FIG. 54



FIG. 56

FIG. 60



FIG. 58

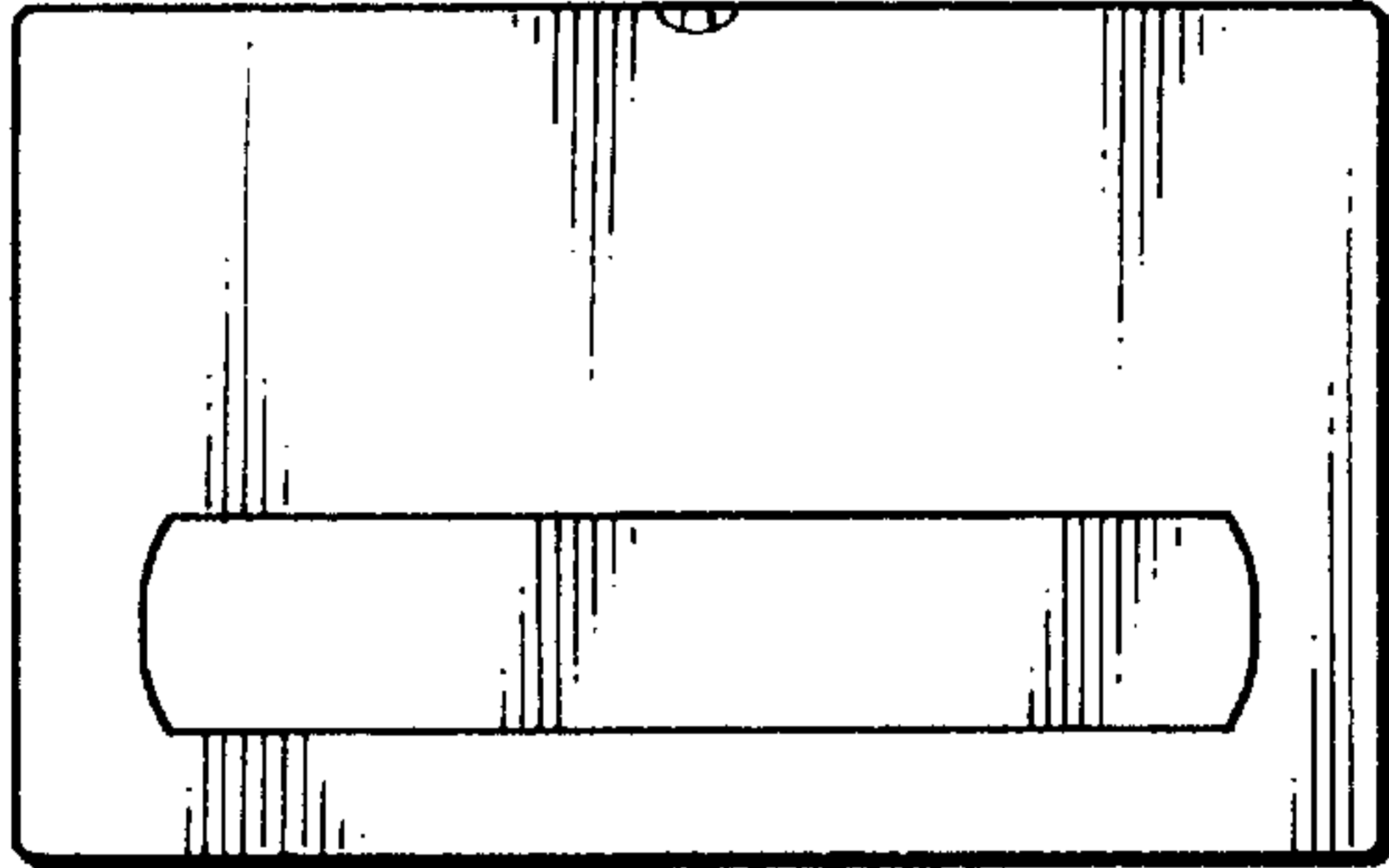


FIG. 59

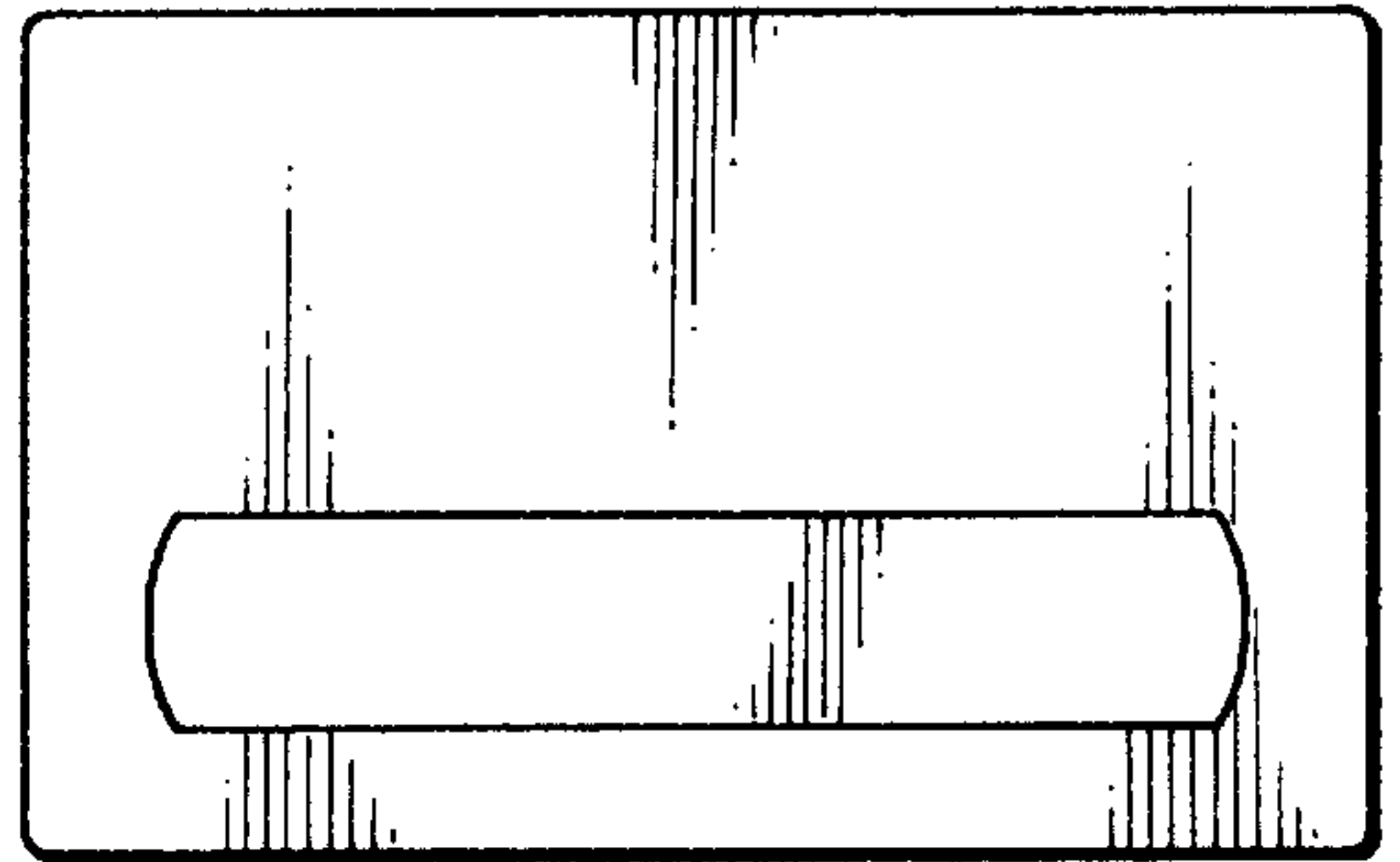


FIG. 62



FIG. 61

FIG. 63

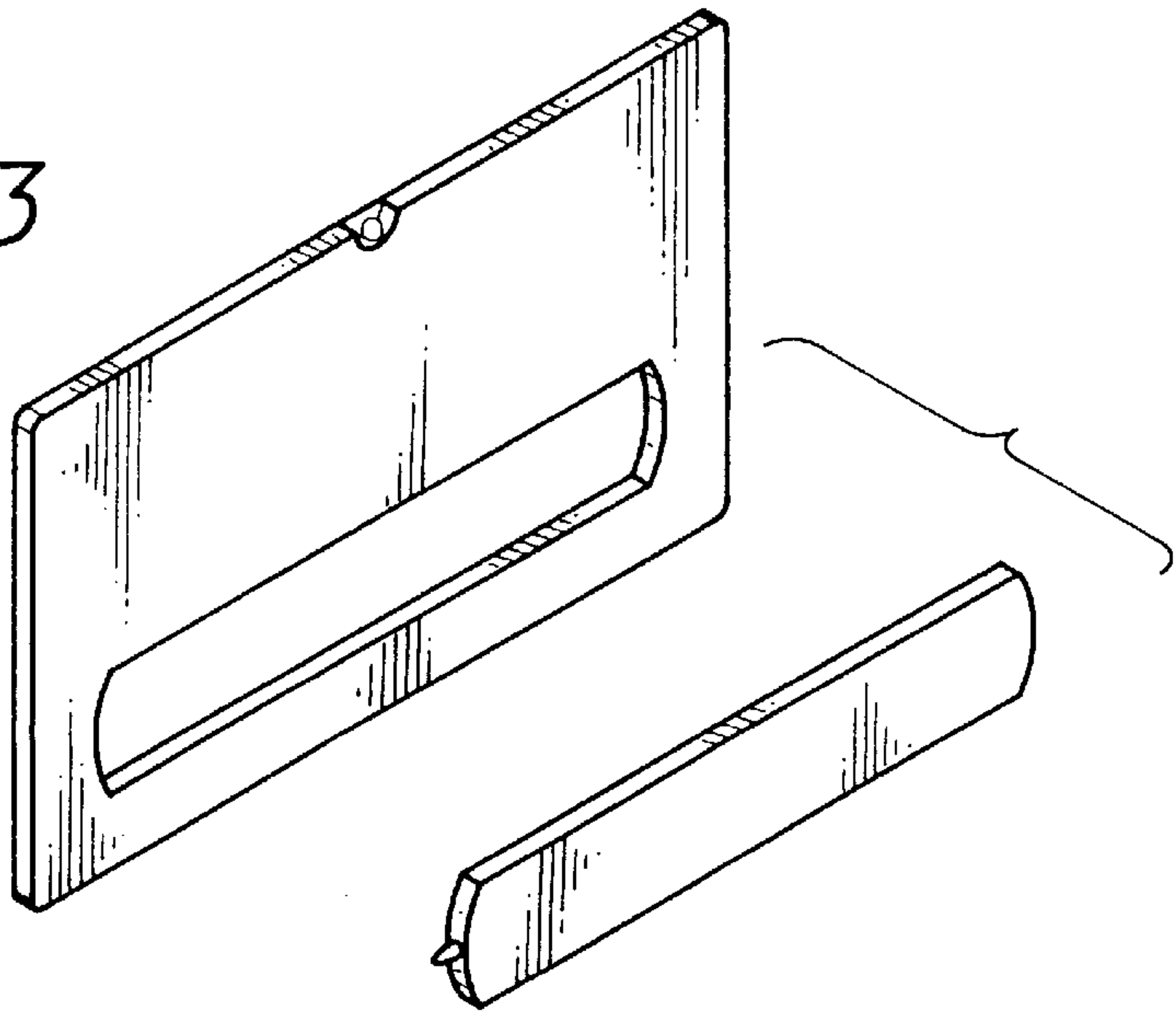


FIG. 64

FIG. 66

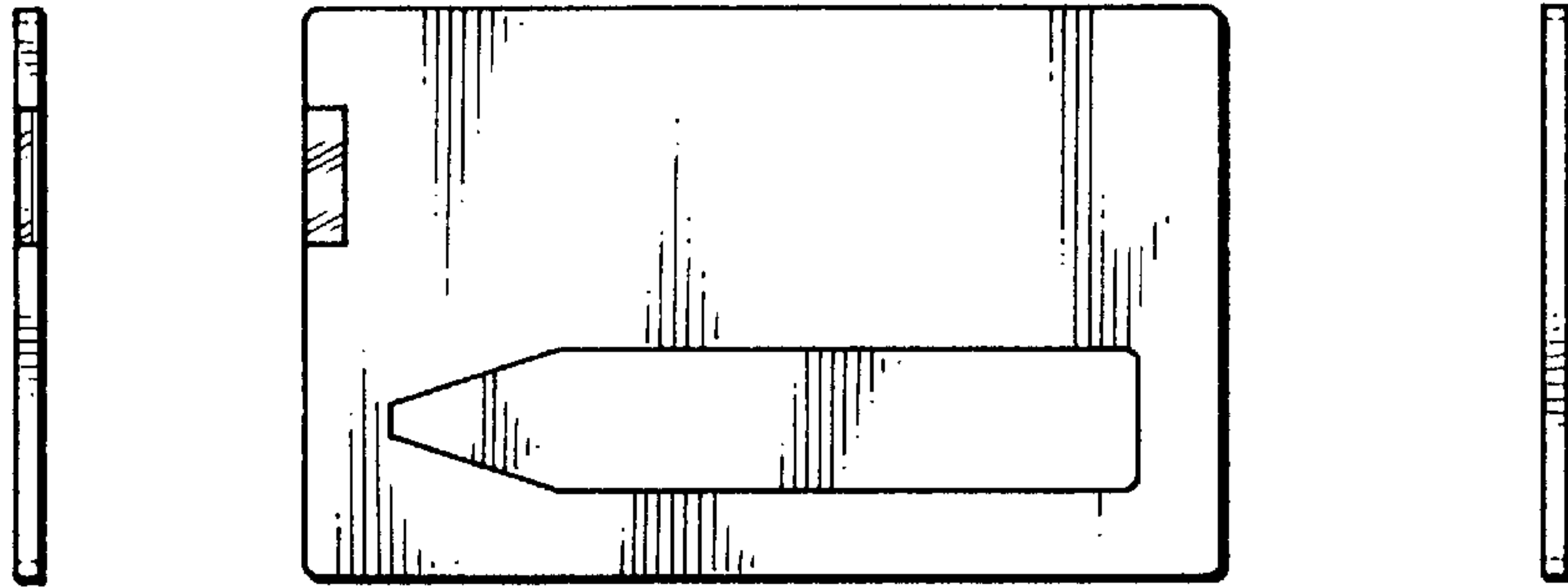


FIG. 67



FIG. 65

FIG. 68

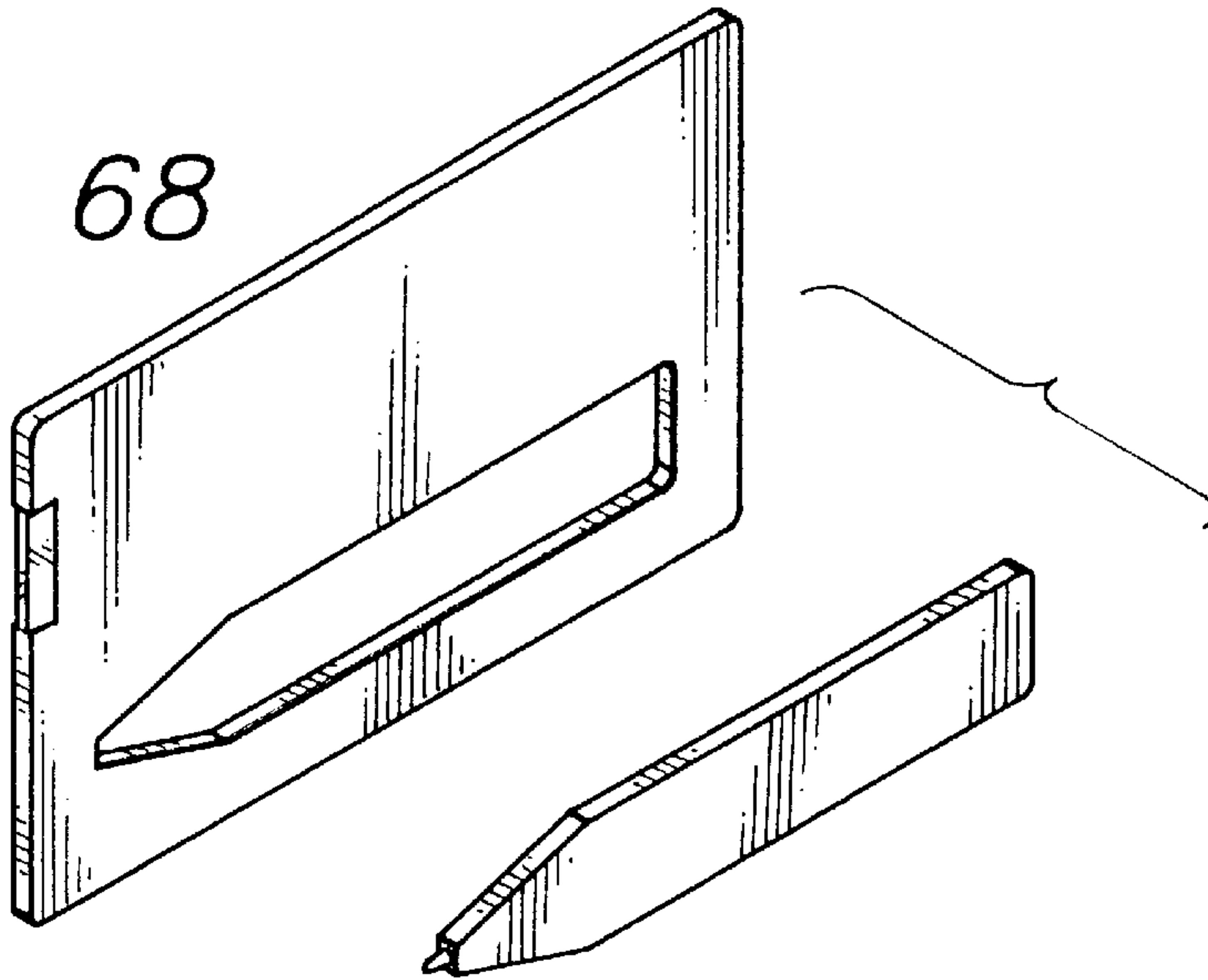


FIG. 70

FIG. 72



FIG. 69

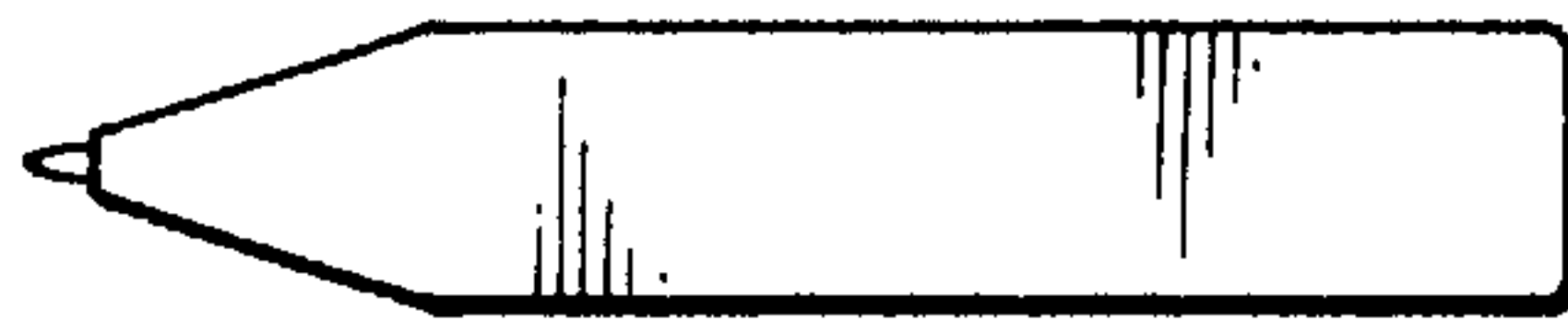


FIG. 71



FIG. 74

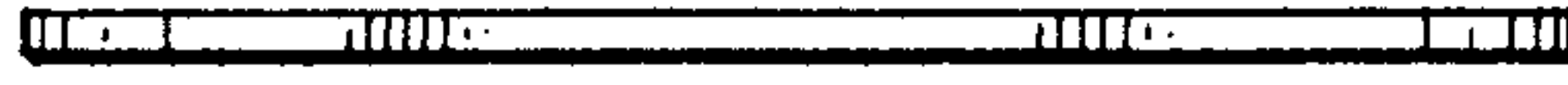


FIG. 77



FIG. 73

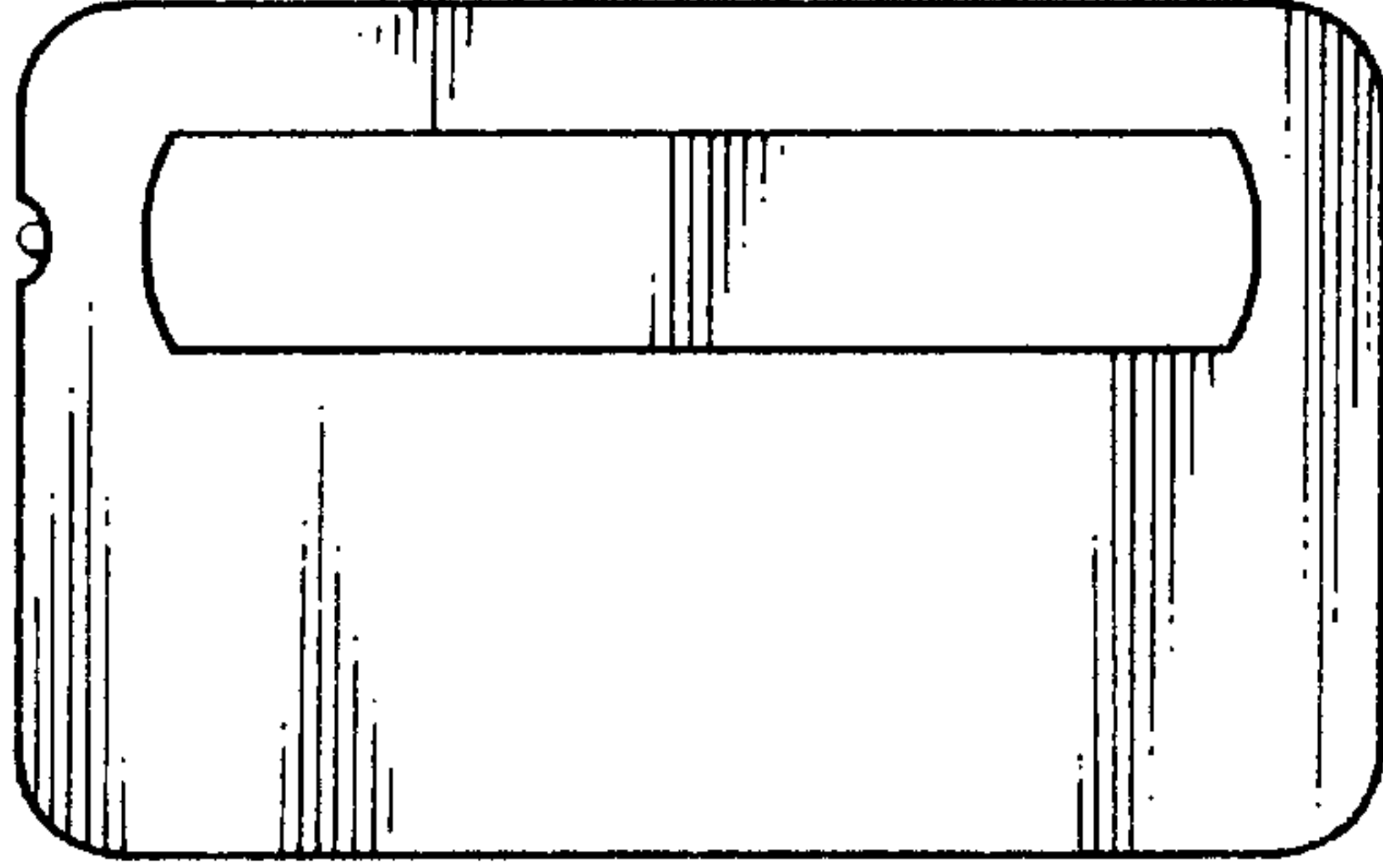


FIG. 76



FIG. 75

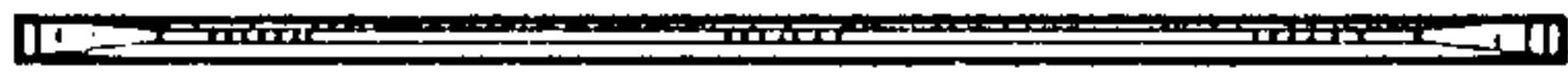


FIG. 78

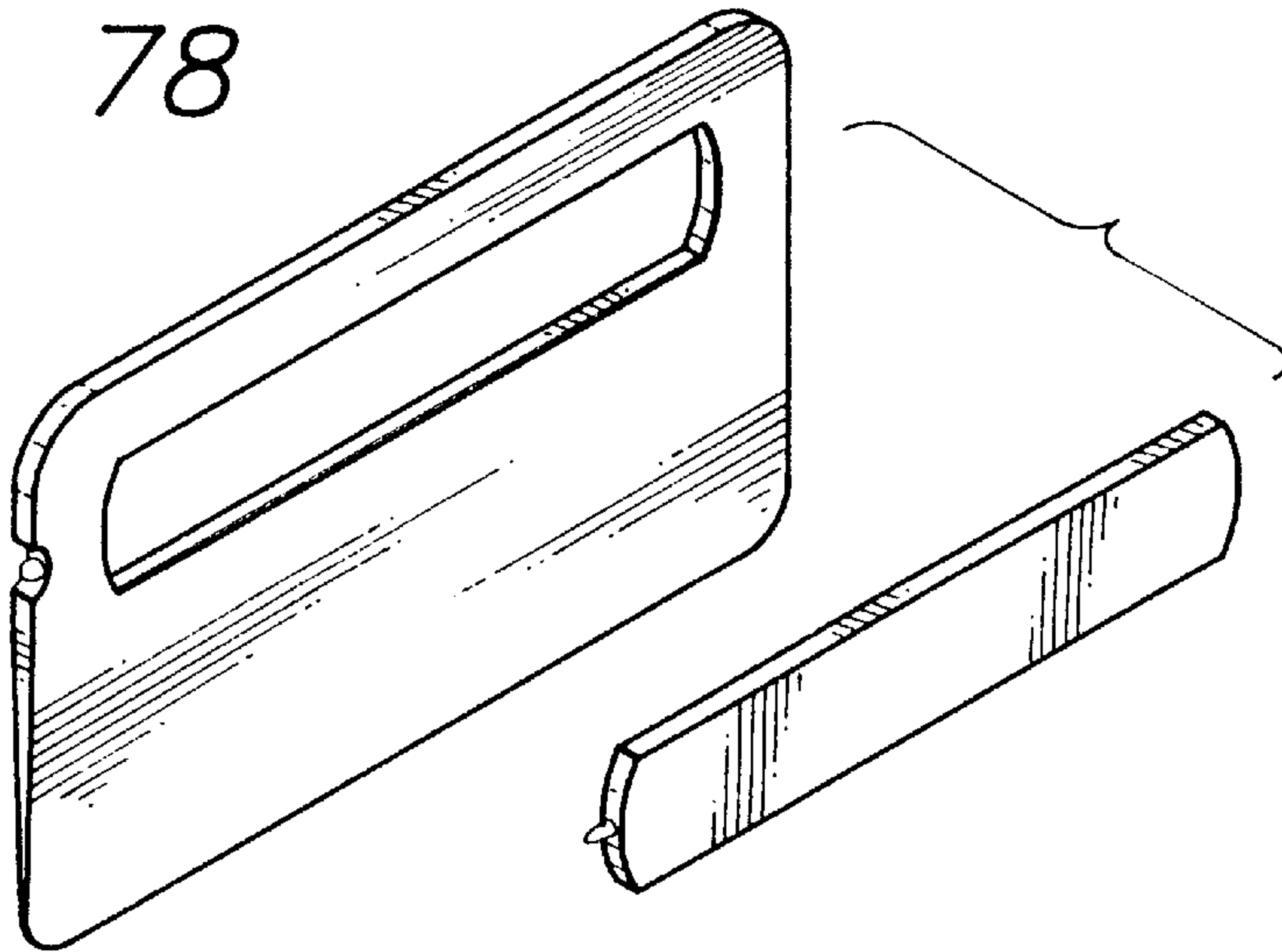


FIG. 80

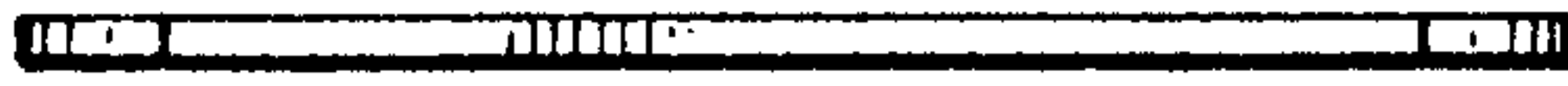


FIG. 83



FIG. 79

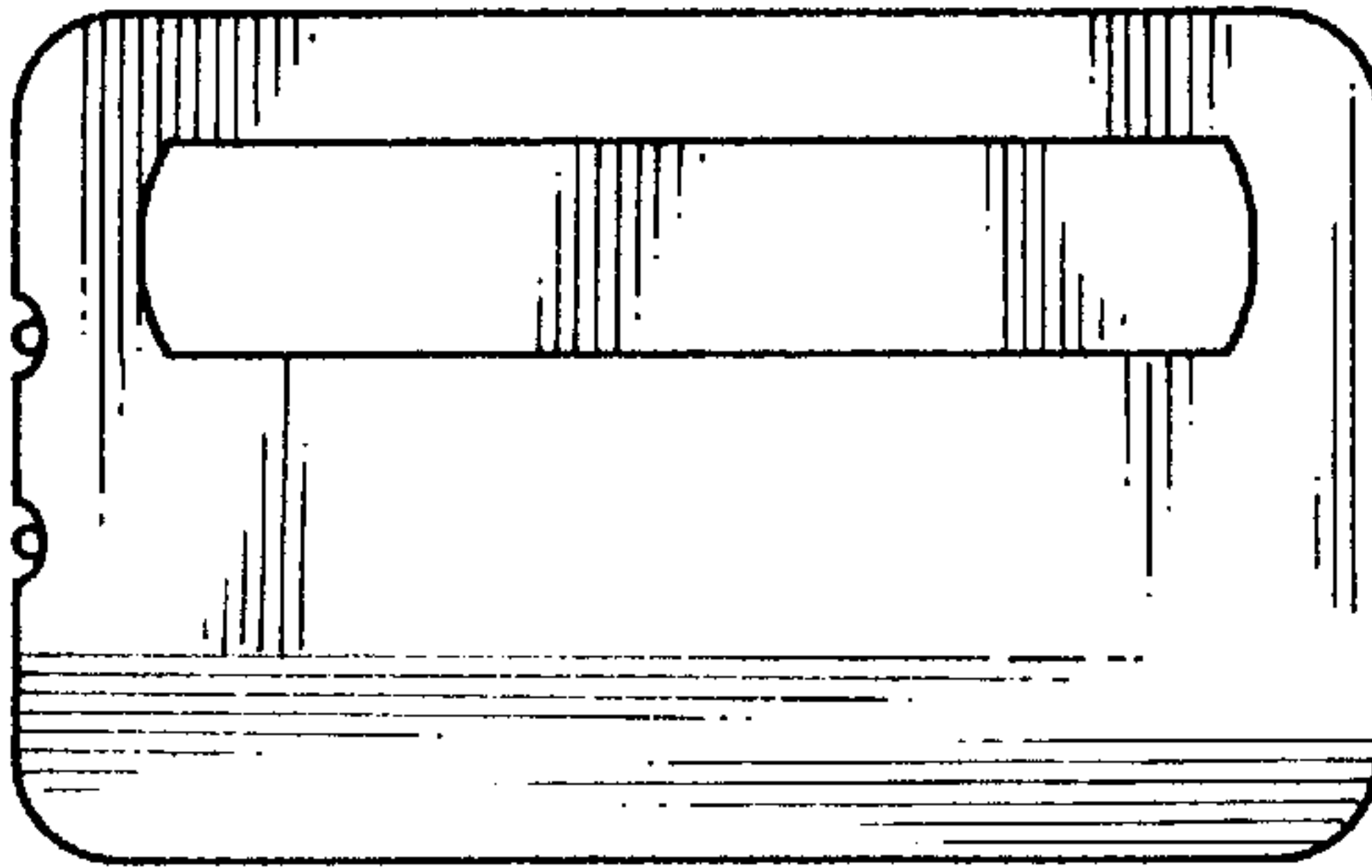


FIG. 82



FIG. 81

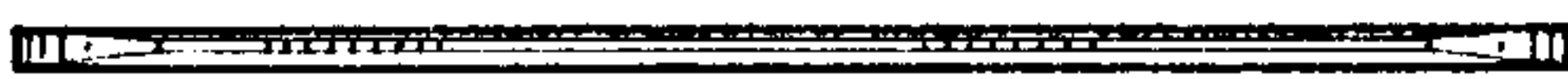


FIG. 84

