



US00D411634S

United States Patent [19] Connelly

[11] **Patent Number: Des. 411,634**

[45] **Date of Patent: ** Jun. 29, 1999**

[54] **ILLUMINATED BOX**

[76] Inventor: **Valerie Connelly**, 918 S. Harlem Ave.,
Glenview, Ill. 60025

[**] Term: **14 Years**

[21] Appl. No.: **29/062,377**

[22] Filed: **Nov. 15, 1996**

[51] **LOC (6) Cl. 26-05**

[52] **U.S. Cl. D26/24; D26/85; D26/104**

[58] **Field of Search D26/24, 118, 104,
D26/85; D20/10; 362/806, 810, 812, 362;
40/450, 451, 452, 550, 551, 552, 541, 564;
D9/418**

[56] **References Cited**

U.S. PATENT DOCUMENTS

D. 272,475	1/1984	Yahraus	D26/24
3,666,936	5/1972	Webster, Jr. et al.	362/806 X
4,754,380	6/1988	Wang	362/812 X

Primary Examiner—Susan J. Lucas
Attorney, Agent, or Firm—Armstrong Teasdale LLP

[57] **CLAIM**

I claim the ornamental design for an illuminated box, as shown and described.

DESCRIPTION

FIG. 1 is a perspective view of an illuminated box constructed in accordance with my new design.

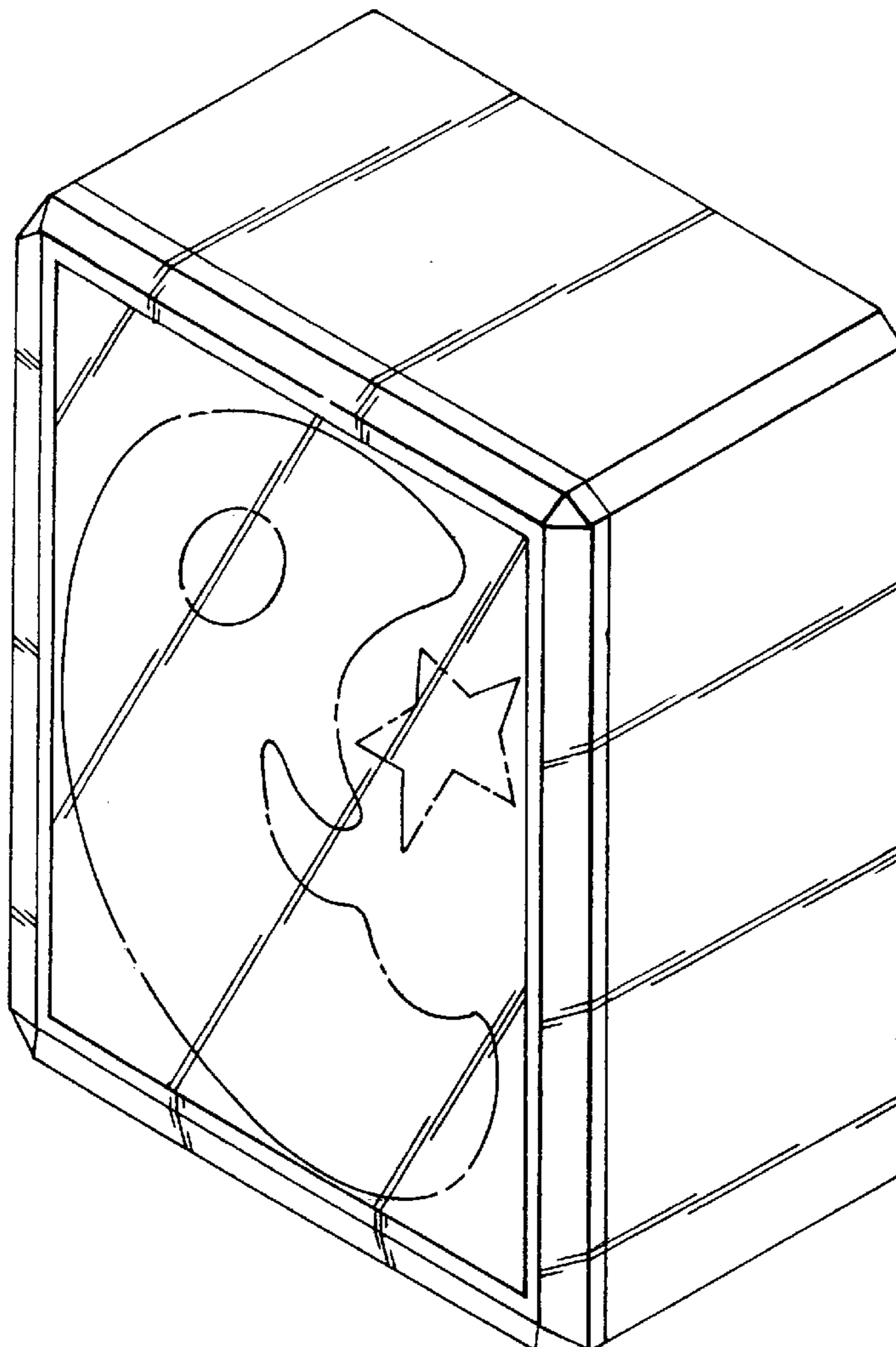
FIG. 2 is a top plan view of the illuminated box, the lid being omitted for purposes of disclosure only,

FIG. 3 is a perspective view of the lid, the box being omitted for purposes of disclosure only;

FIG. 4 is a side elevational view of the illuminated box, it being understood that the opposite side is a mirror image of the side shown; and,

FIG. 5 is an end view of the box, it being understood that the opposite end is a mirror image of the end shown.

1 Claim, 2 Drawing Sheets



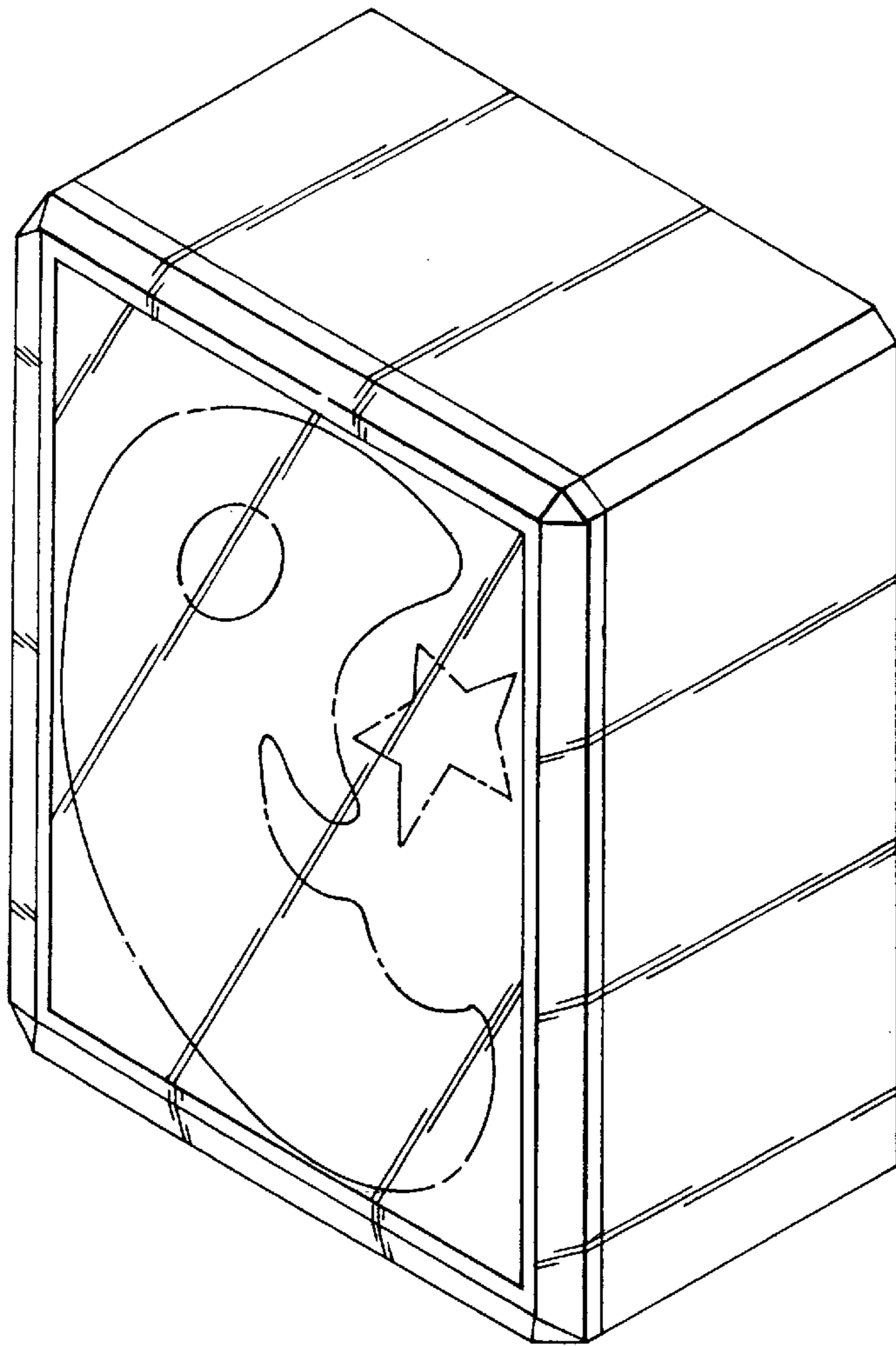


Fig. 1

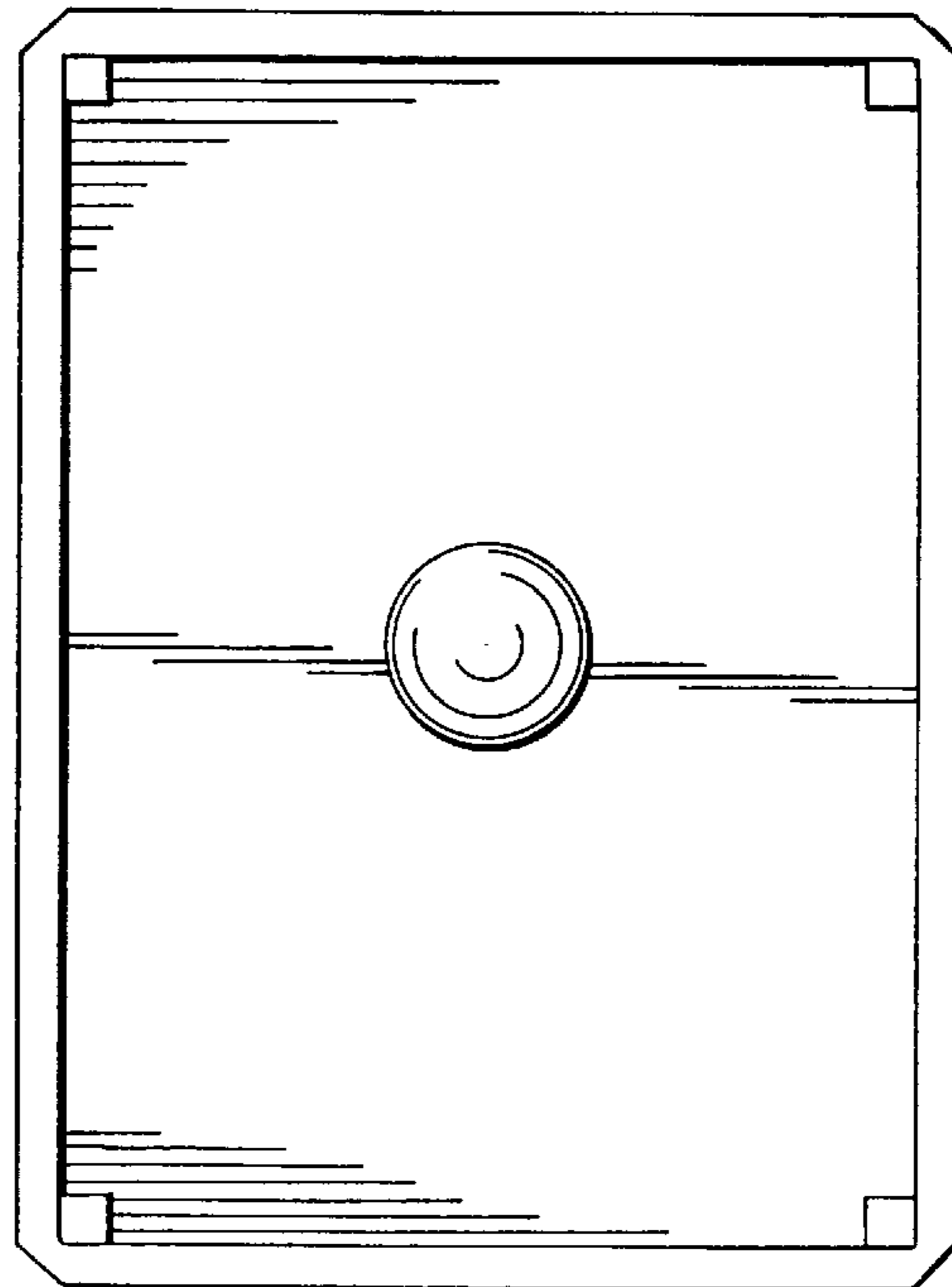


Fig. 2

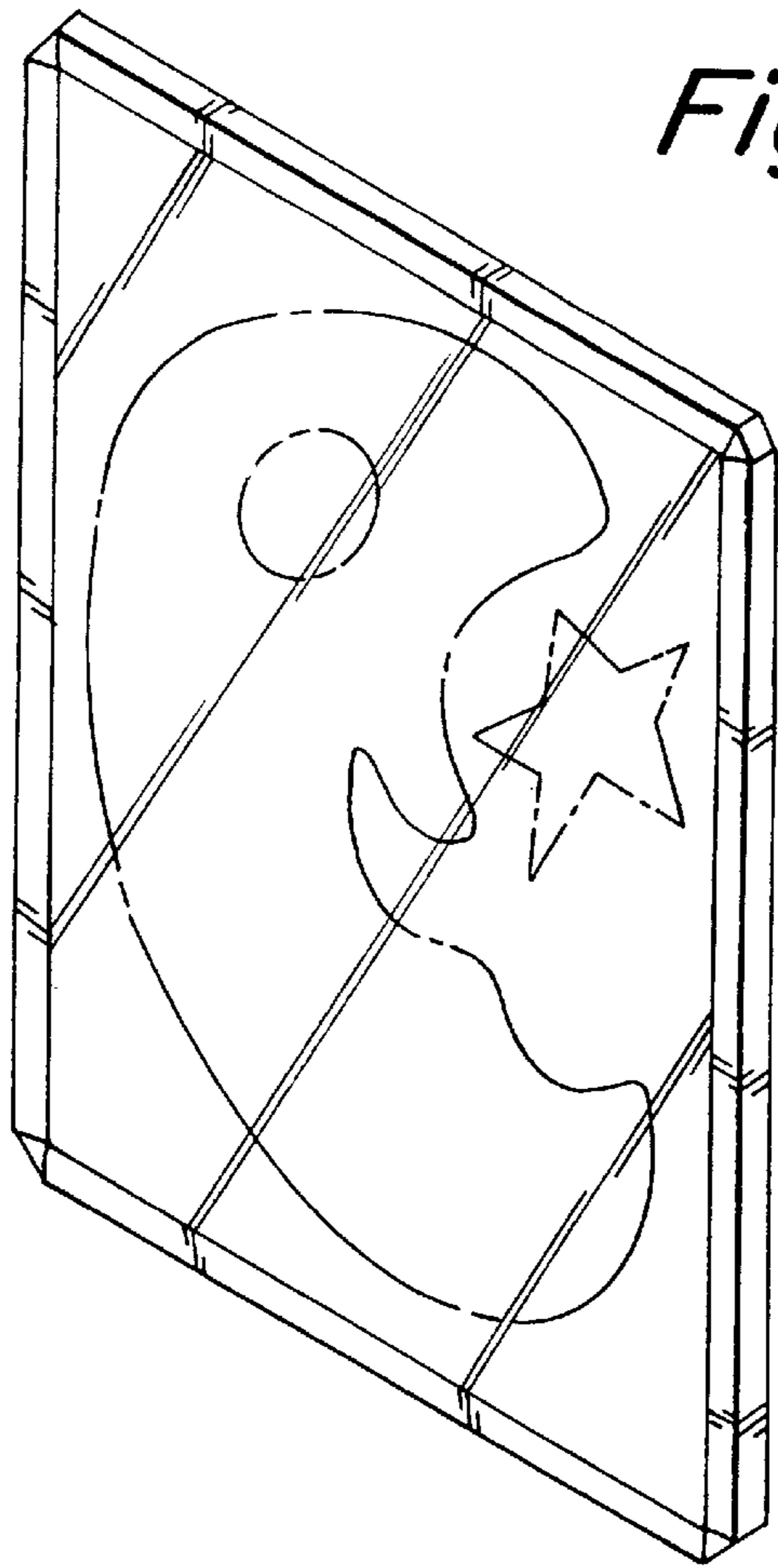


Fig. 3

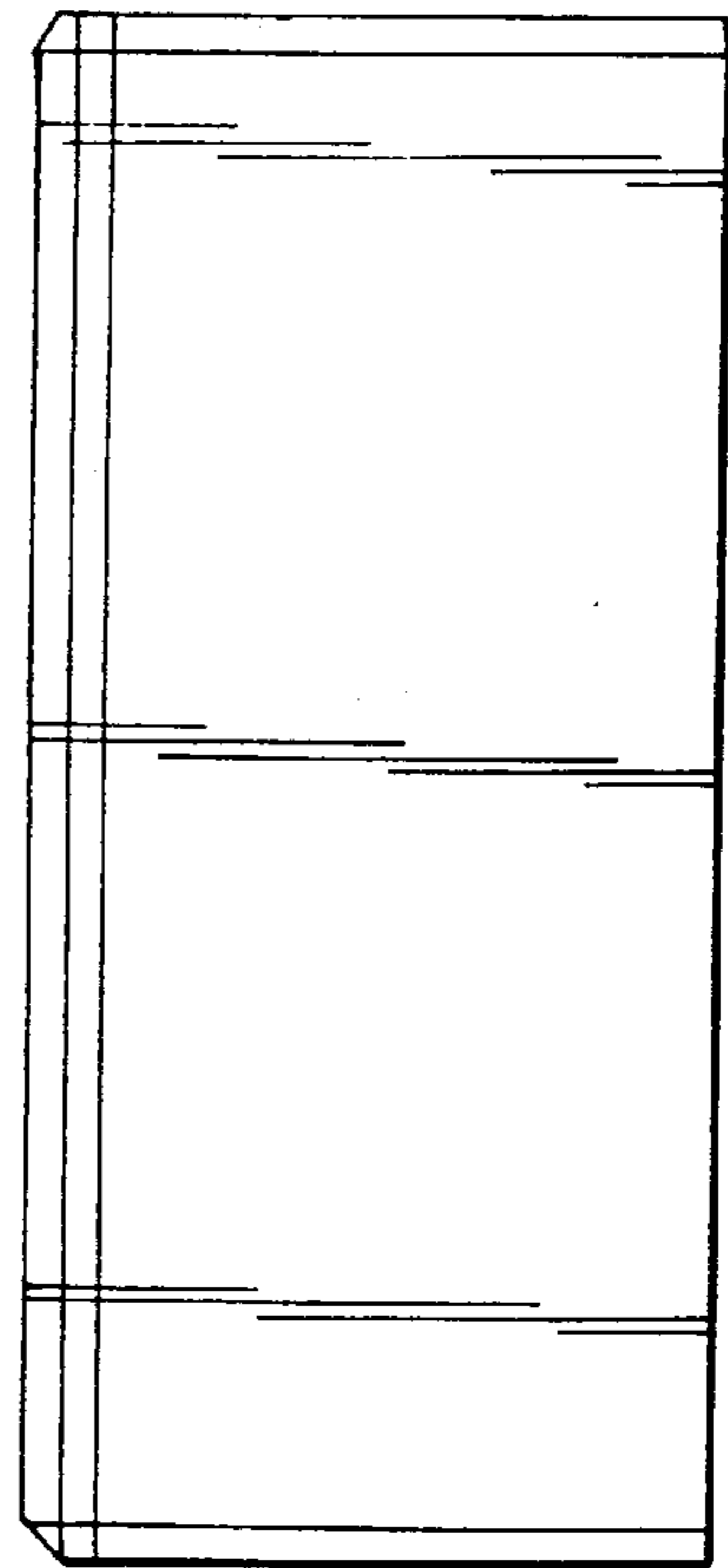


Fig. 4

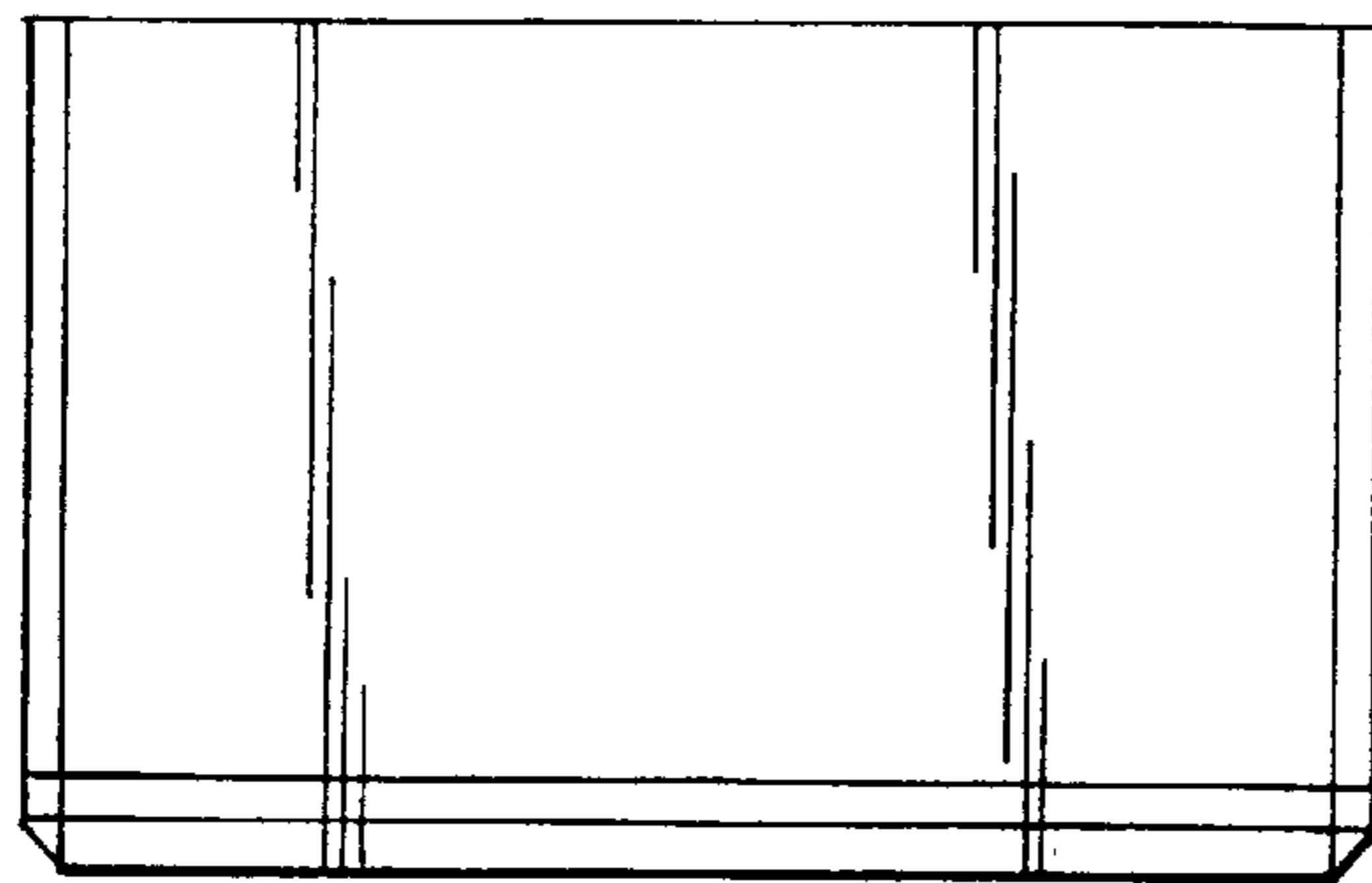


Fig. 5