



US00D411631S

United States Patent [19]
Shen

[11] **Patent Number: Des. 411,631**

[45] **Date of Patent: ** Jun. 29, 1999**

[54] **PROJECTIVE LAMP**

D. 326,532 5/1992 Hume et al. D26/2

[76] Inventor: **Wei Hong Shen**, 6F, No. 416, Sec. 4,
Jen-Ai Rd., Taipei, Taiwan

Primary Examiner—Marcus A. Jackson
Attorney, Agent, or Firm—Rosenberg, Klein & Bilker

[**] Term: **14 Years**

[57] **CLAIM**

[21] Appl. No.: **29/089,154**

The ornamental design for a “projective lamp,” as shown and described.

[22] Filed: **Jun. 9, 1998**

DESCRIPTION

[51] **LOC (6) Cl.** **26-04**

[52] **U.S. Cl.** **D26/2**

[58] **Field of Search** D26/1, 2, 3, 4,
D26/26; 362/326, 334, 335, 337, 351, 355;
313/113, 315, 318, 493

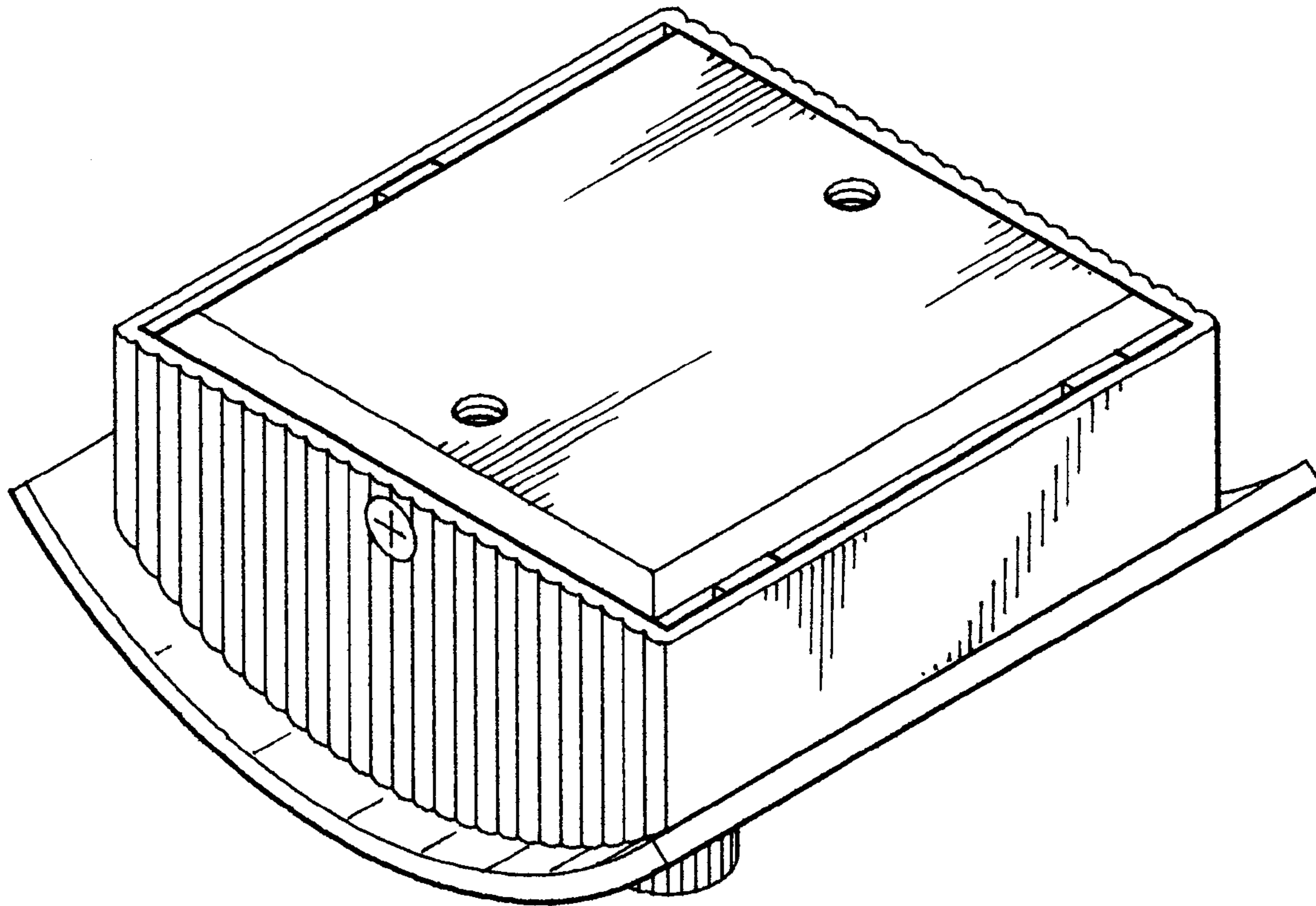
FIG. 1 is the perspective view of a “projective lamp” showing my new design;
FIG. 2 is the front elevational view thereof;
FIG. 3 is the rear elevational view thereof;
FIG. 4 is the left side elevational view thereof;
FIG. 5 is the right side elevational view thereof;
FIG. 6 is the top plan view thereof; and,
FIG. 7 is the bottom plan view thereof.

[56] **References Cited**

U.S. PATENT DOCUMENTS

D. 326,160 5/1992 Vrancart et al. D26/2

1 Claim, 4 Drawing Sheets



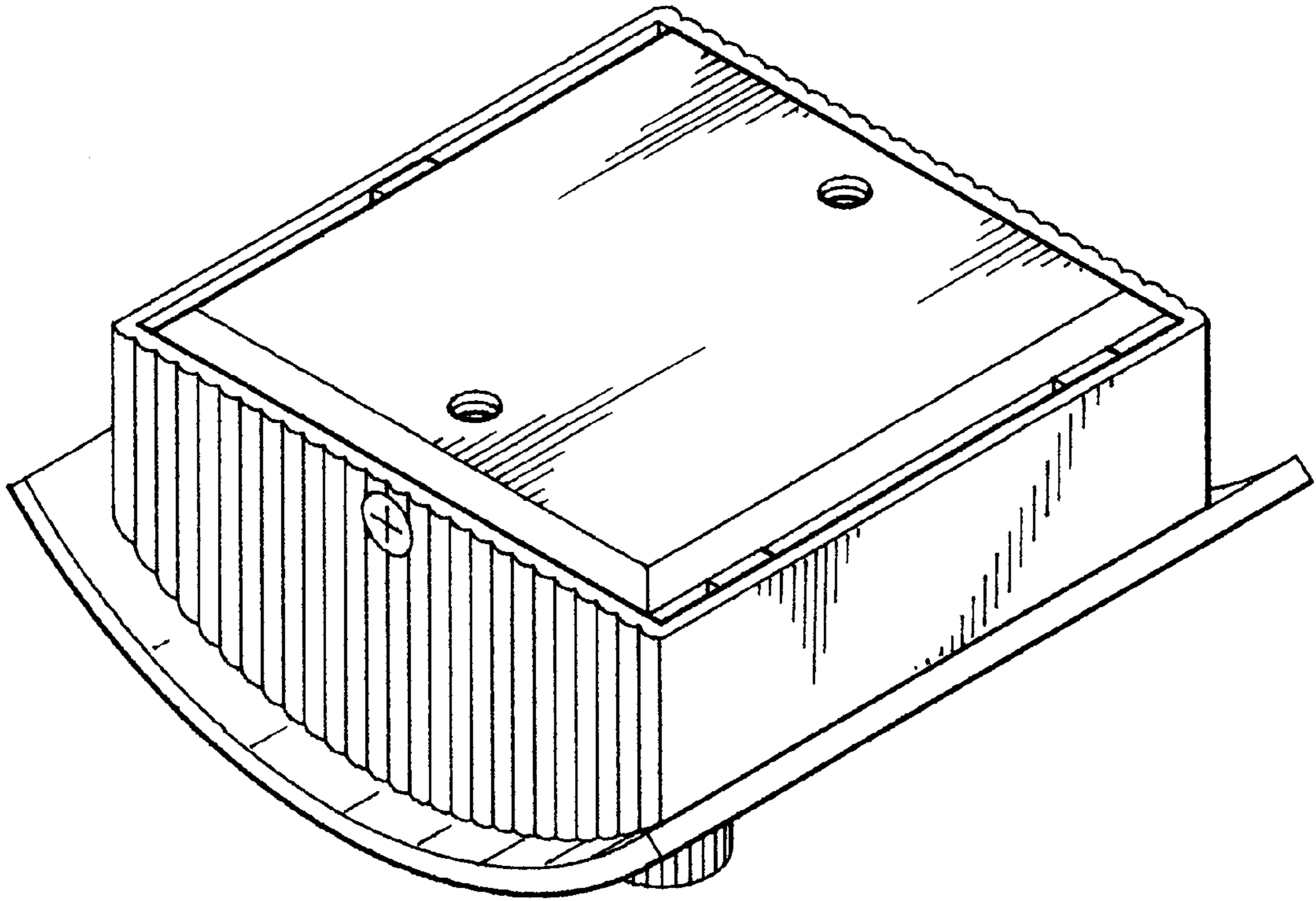


FIG. 1

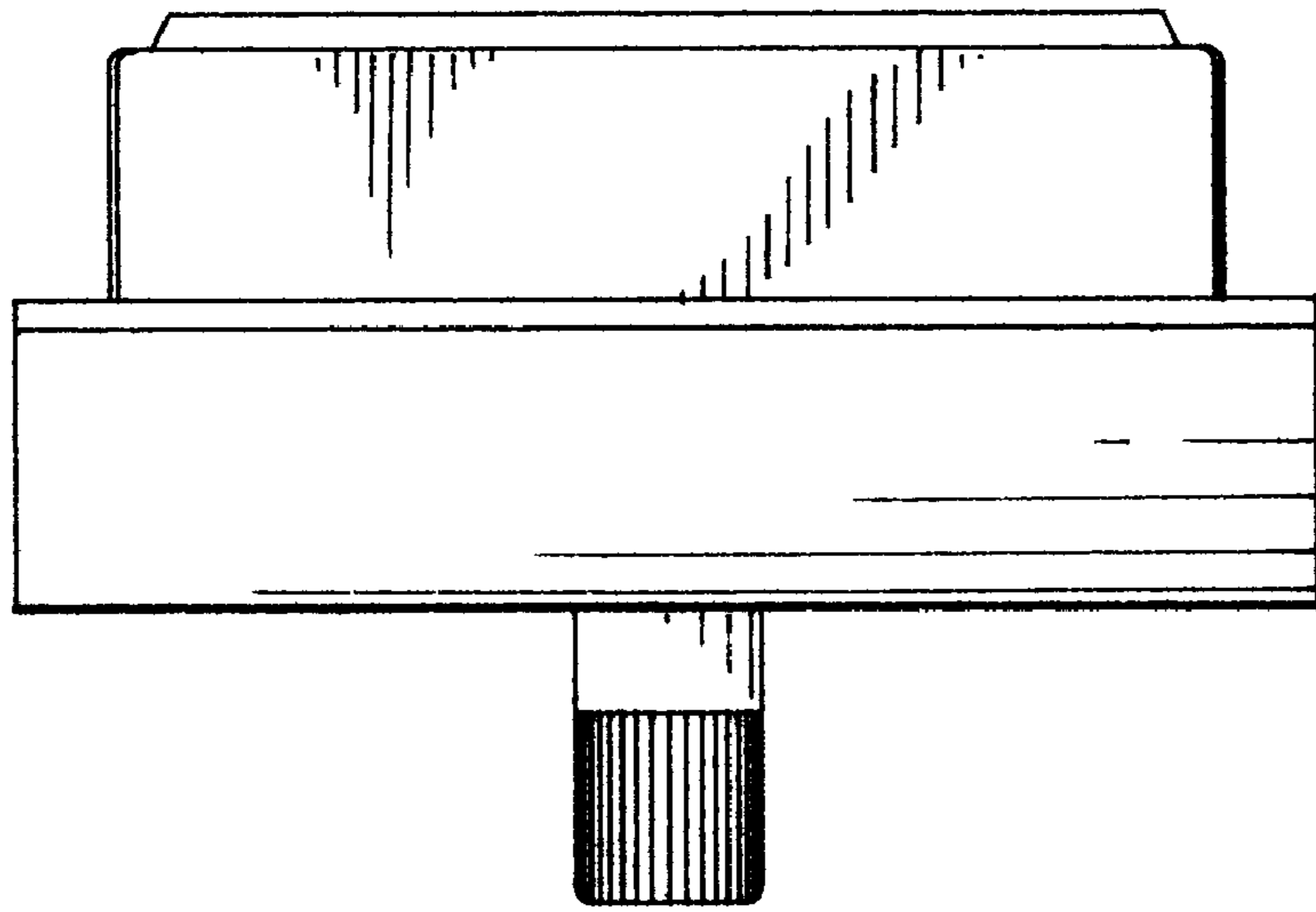


FIG. 2

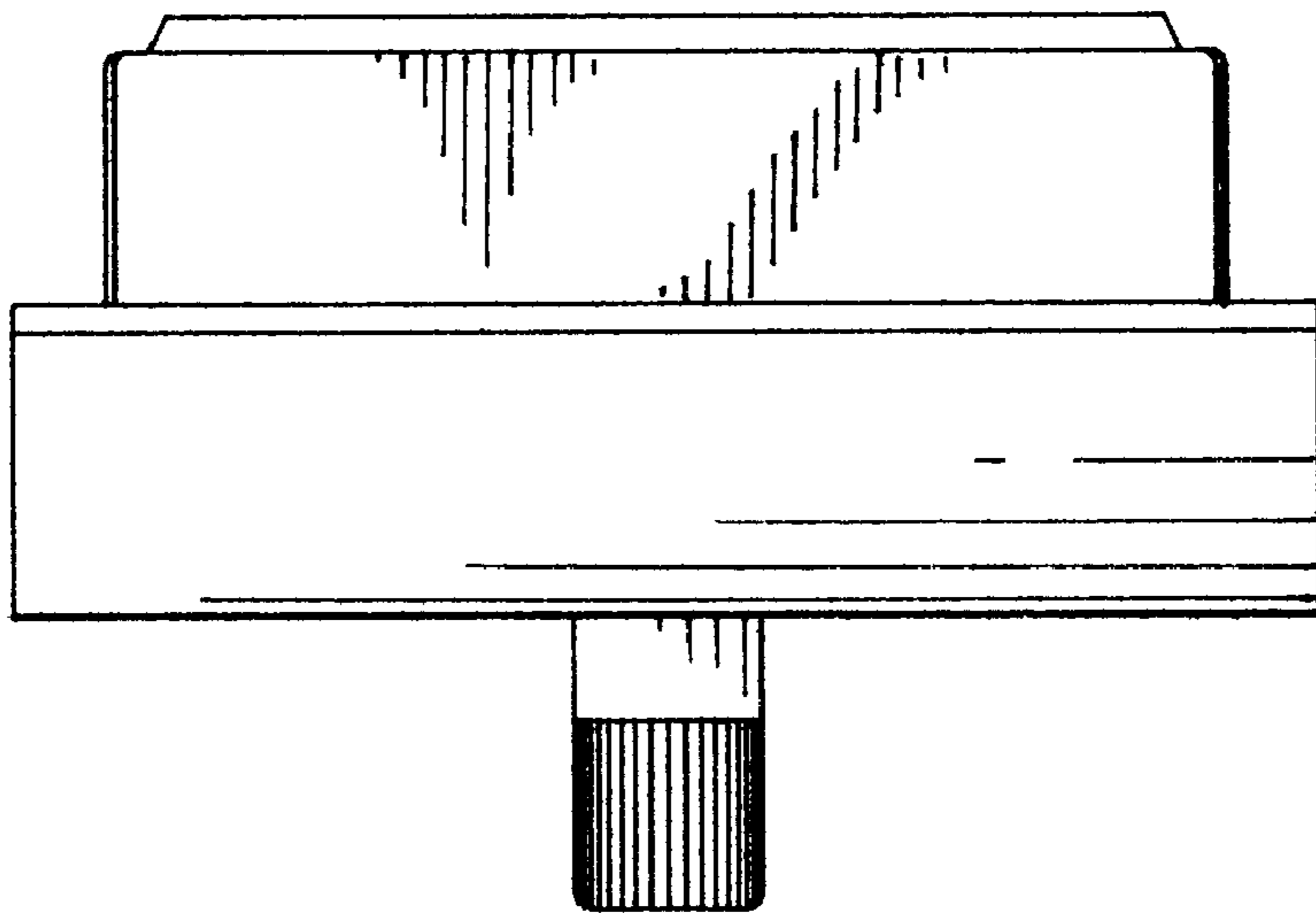


FIG. 3

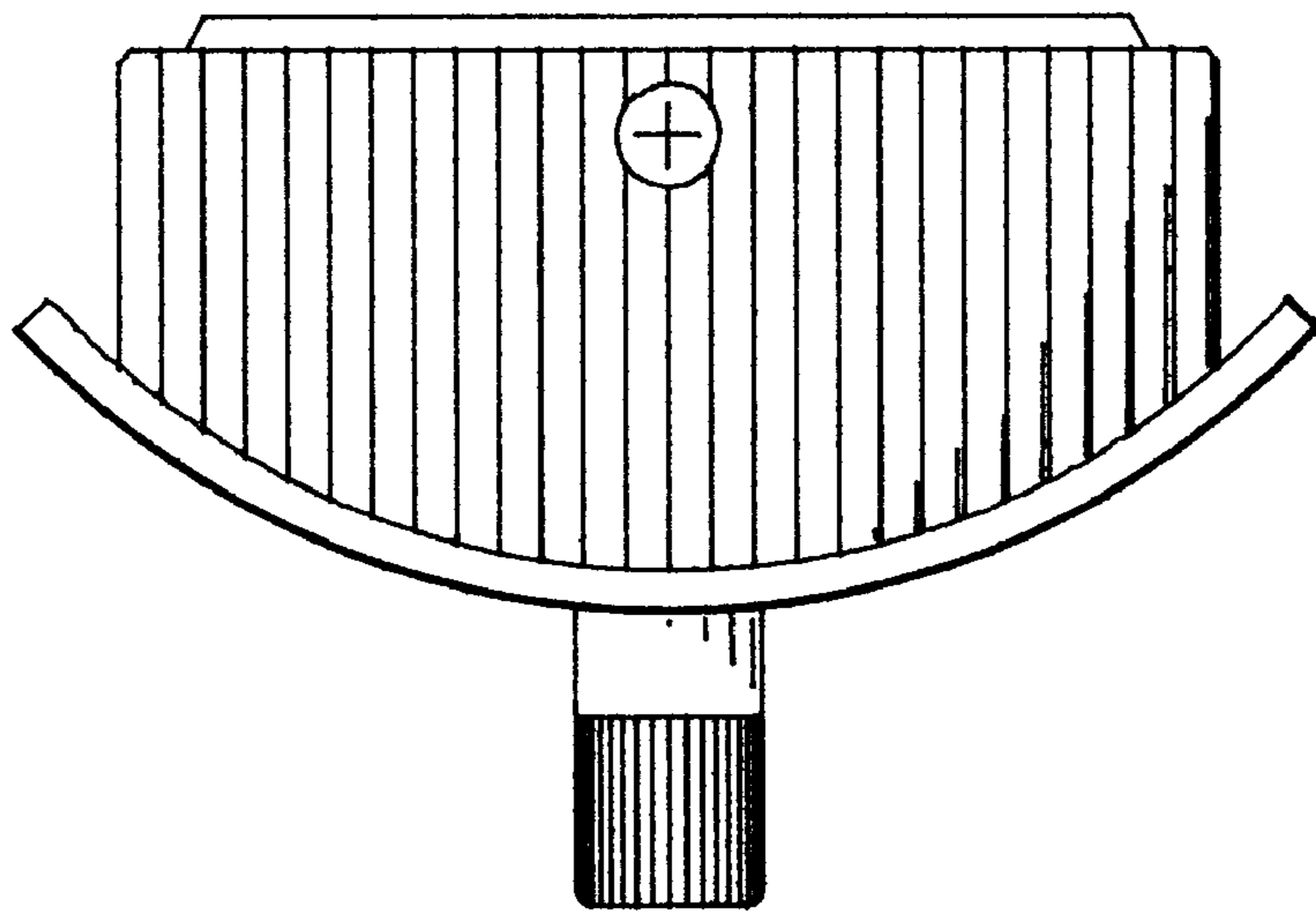


FIG. 4

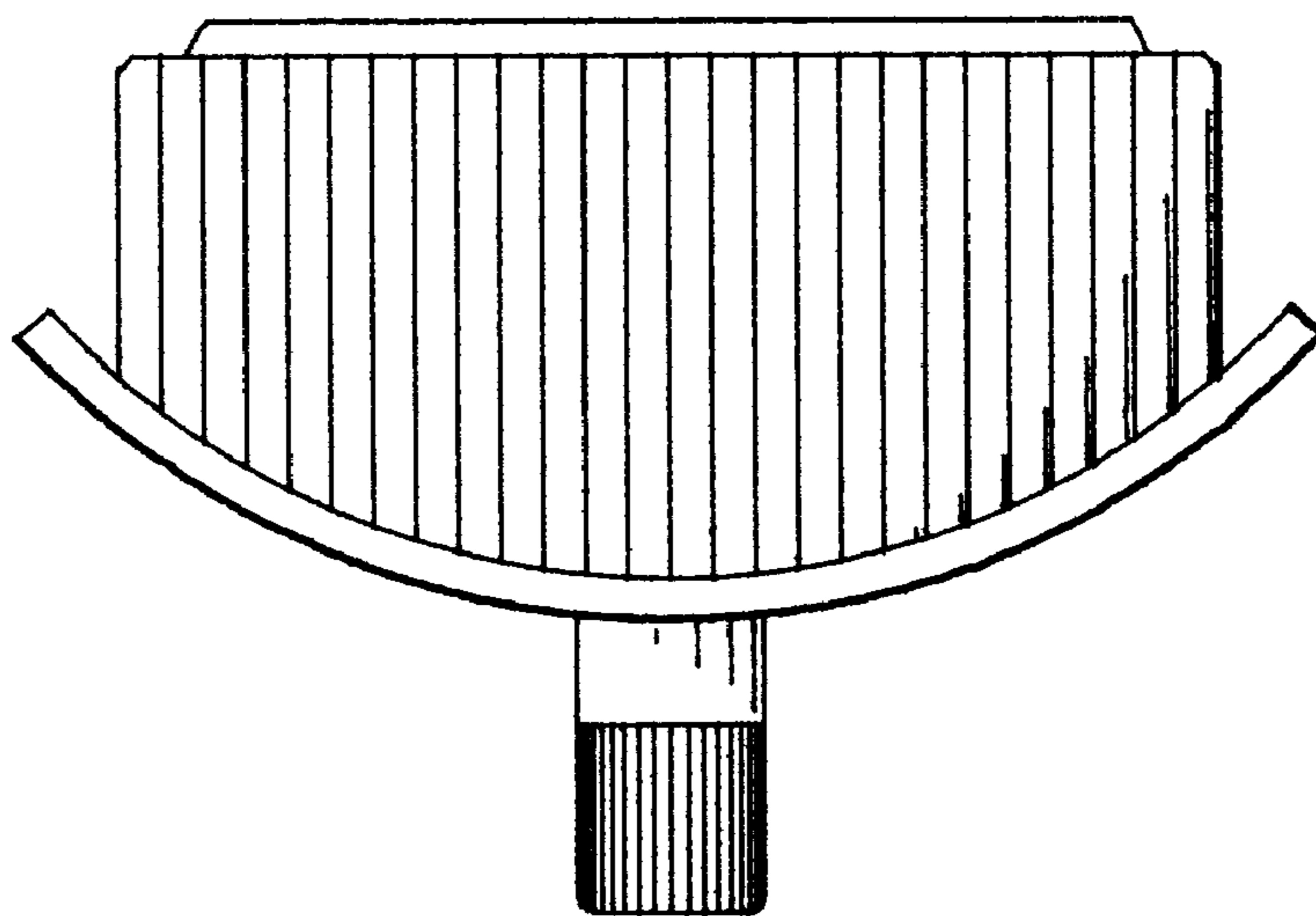


FIG. 5

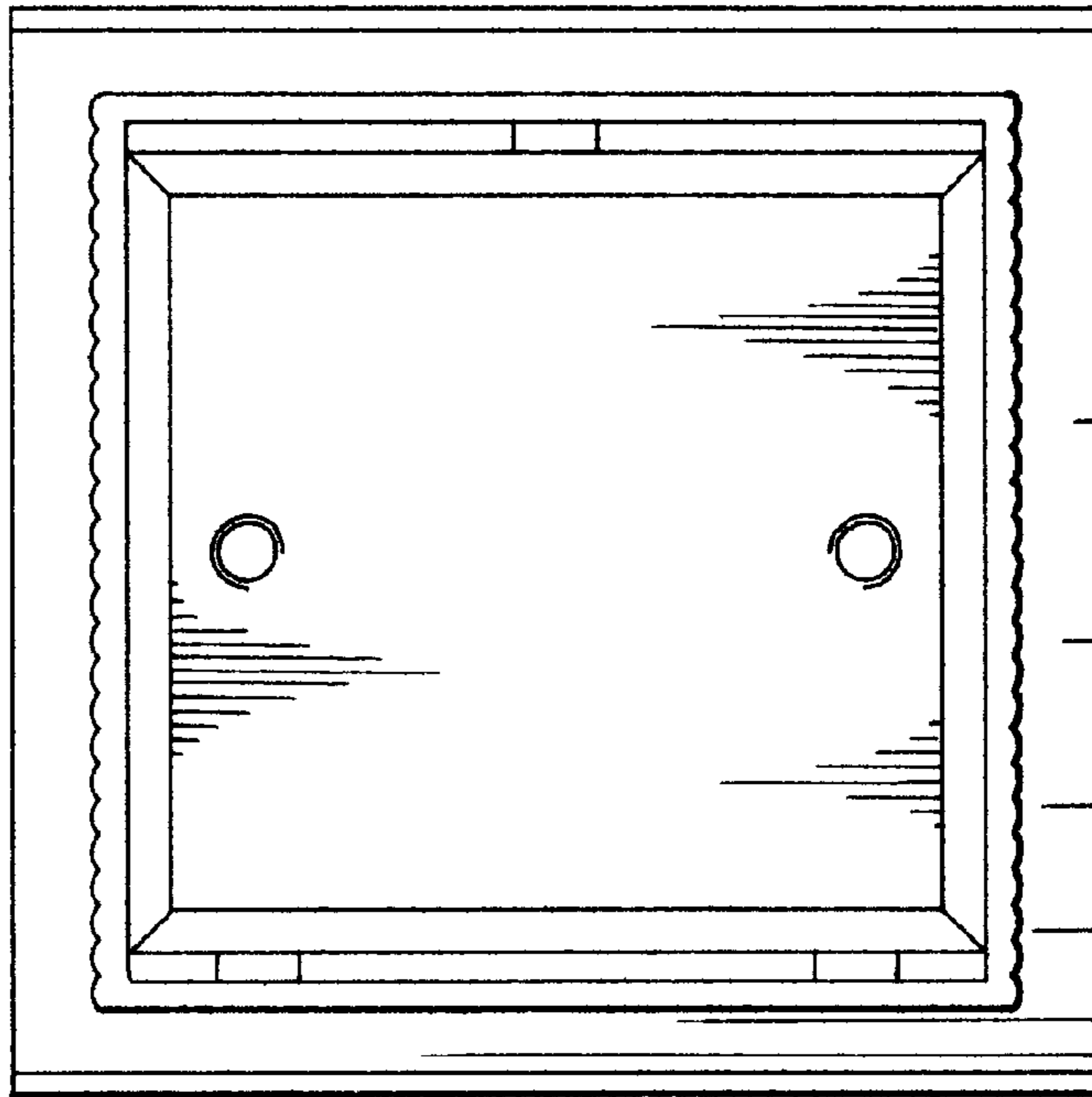


FIG. 6

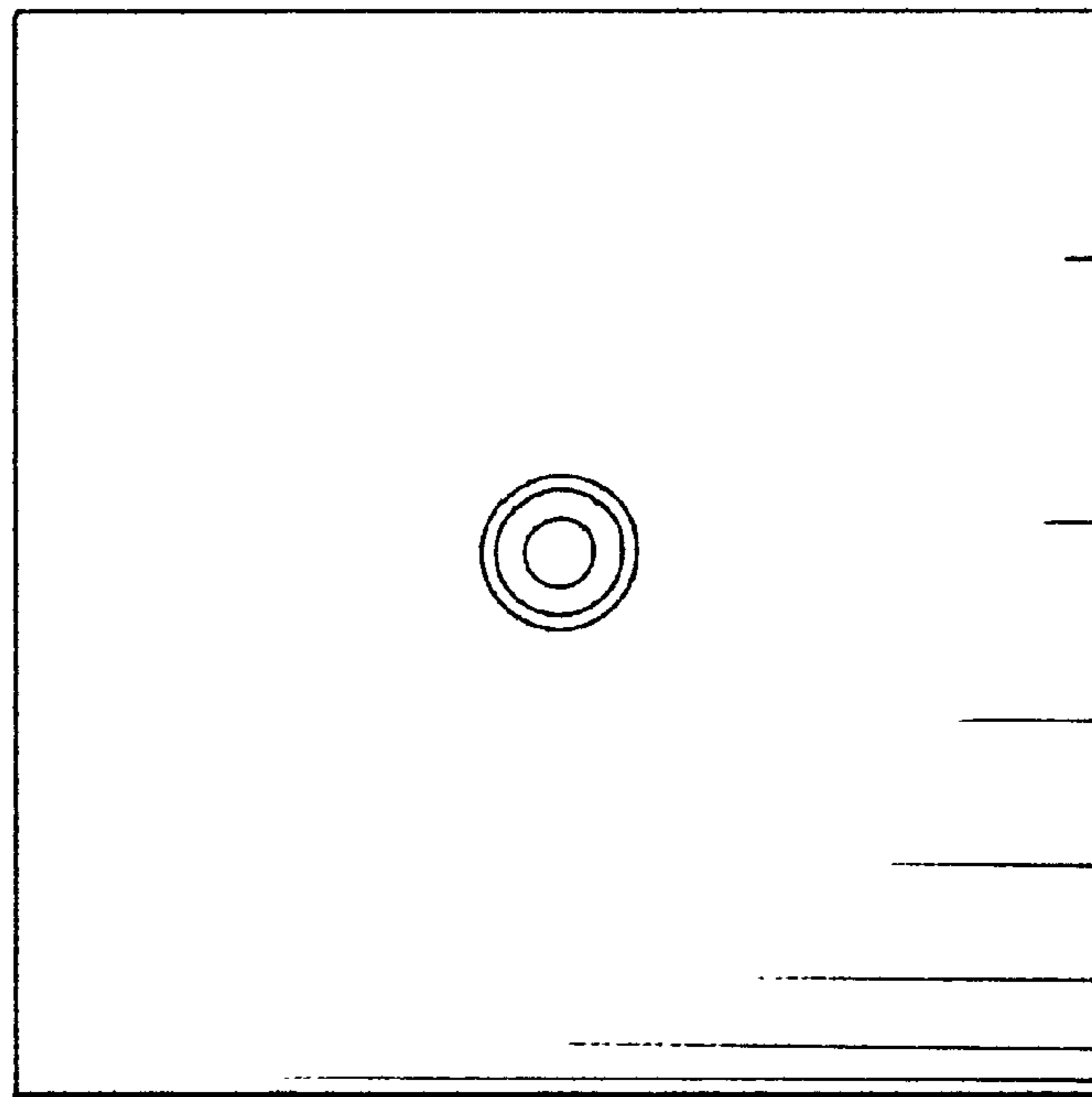


FIG. 7