



US00D411629S

# United States Patent [19] Mandell

[11] **Patent Number: Des. 411,629**  
[45] **Date of Patent: \*\* Jun. 29, 1999**

## [54] SHED PANEL

- [75] Inventor: **Jonathan N. Mandell**, North Canton, Ohio
- [73] Assignee: **Rubbermaid Incorporated**, Wooster, Ohio
- [\*\*] Term: **14 Years**
- [21] Appl. No.: **29/088,552**
- [22] Filed: **May 27, 1998**
- [51] **LOC (6) Cl.** ..... **25-01**
- [52] **U.S. Cl.** ..... **D25/138**
- [58] **Field of Search** ..... D25/58, 138; 52/36.1, 52/192, 22, 23, 36.2, 66

## [56] **References Cited**

### U.S. PATENT DOCUMENTS

D. 300,362	3/1989	Adams	.....	D25/33
D. 325,979	5/1992	Mahler	.....	D25/33
D. 332,332	1/1993	Markey	.....	D34/1
D. 364,468	11/1995	Maple	.....	D25/16
D. 365,154	12/1995	Maple	.....	D25/16
D. 375,168	10/1996	Hunt et al.	.....	D25/16
D. 375,169	10/1996	Hunt et al.	.....	D25/16
D. 384,419	9/1997	Dickinson et al.	.....	D25/16
D. 393,724	4/1998	Sagol	.....	D25/16
1,981,434	11/1934	Shodron	.....	52/192
2,270,161	1/1942	Briggs	.....	189/2
3,543,456	12/1970	Gregoire	.....	52/92
4,115,967	9/1978	Kragt	.....	52/90
4,294,051	10/1981	Hughes, Jr.	.....	52/98
4,425,742	1/1984	Markey et al.	.....	52/90
4,677,797	7/1987	Roth	.....	52/94
4,837,999	6/1989	Stayner	.....	D25/138
5,005,327	4/1991	Becker	.....	52/192
5,036,634	8/1991	Lessard et al.	.....	52/79.1
5,647,181	7/1997	Hunts	.....	52/282.1

### FOREIGN PATENT DOCUMENTS

2240024 7/1991 United Kingdom .

## OTHER PUBLICATIONS

- Catalog page, Shed panels; Handy Home Products, P. O. Box 548, Walled Lake, Michigan 48390-3222. Published at least as early as 1991.
- P. 9, Shed panels; Handy Home Products, P. O. Box 548, Walled Lake, Michigan 48390-3222. Published at least as early as 1991.
- Brochure page, Shed panels; Arrow, P. O. Box 14, Haskell, New Jersey 07420. Publication date Dec., 1990.
- Sell sheet, Shed panels; Spacemaker, 3069 Wolfedale Road, Mississauga, Ontario, Canada L5C 1V9. Published at least as early as 1991.
- P. 12, Shed panels; Heinz Kettler Metallwarenfabrik GmbH, D-4763 Ense-Parsit, Postfach 1020. Published at least as early as 1991.
- Sell sheet, Shed panels; Royal Rubbermaid Structures, Ltd., 1147 Akron Road, Wooster, Ohio 44691. Publication date 1995.
- Catalog page, Shed panels; Rubbermaid Incorporated, 1147 Akron Road, Wooster, Ohio 44691. Publication date Jul. 1997.

*Primary Examiner*—Doris Clark  
*Attorney, Agent, or Firm*—Richard B. O’Planick

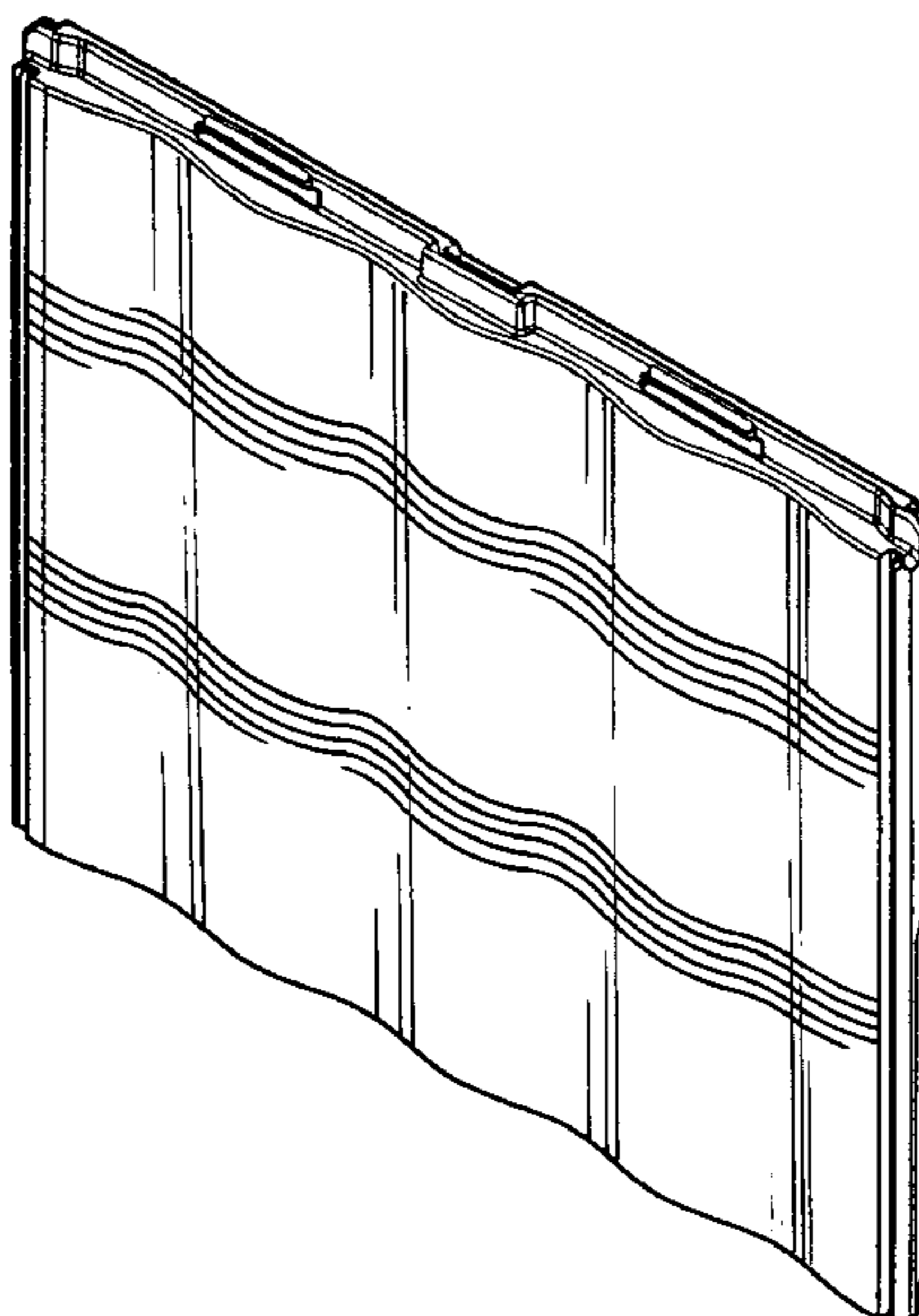
## [57] **CLAIM**

The ornamental design for a shed panel, as shown and described.

## **DESCRIPTION**

FIG. 1 is a top right front perspective view of a shed panel showing my new design;  
FIG. 2 is a front elevational view thereof;  
FIG. 3 is a left side elevational view thereof; the right side elevational view being a mirror image;  
FIG. 4 is a top plan view thereof;  
FIG. 5 is a bottom plan view thereof; and,  
FIG. 6 is a rear elevational view thereof.

**1 Claim, 2 Drawing Sheets**



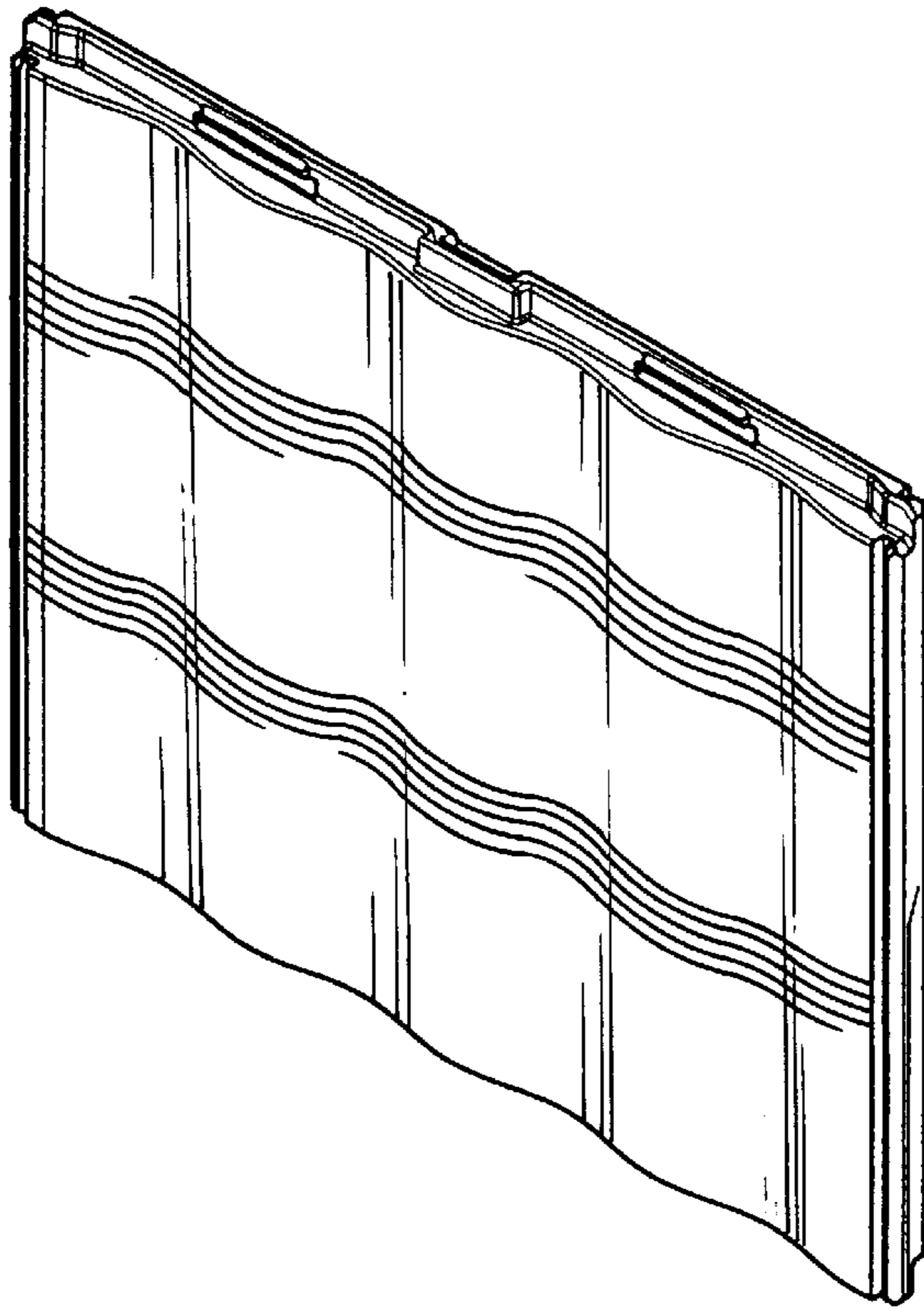


Fig-1

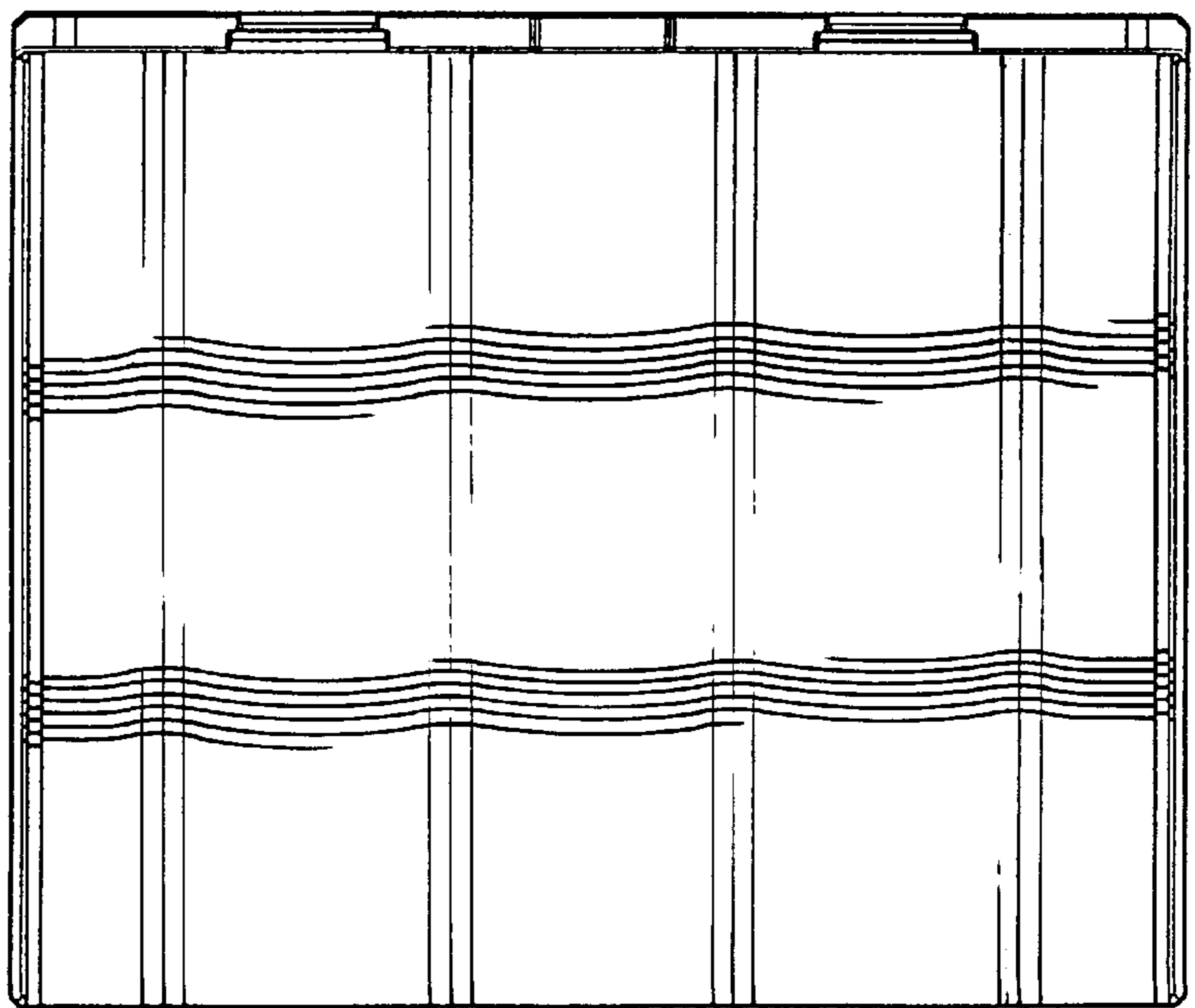


Fig-2



Fig-3

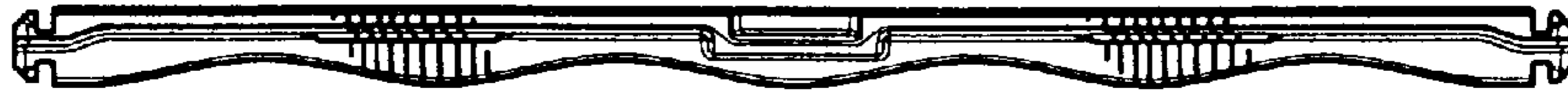


Fig-4



Fig-5

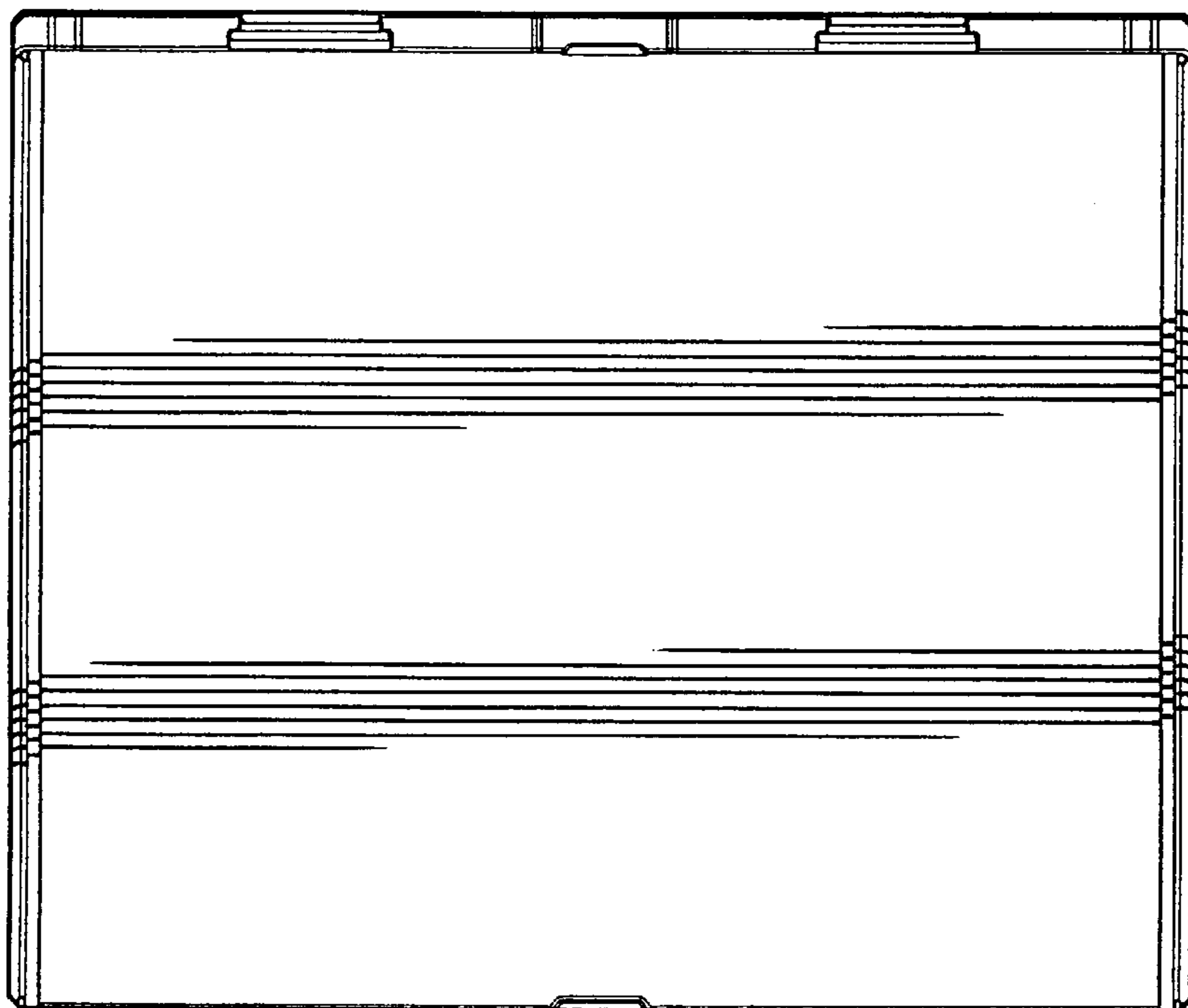


Fig-6