



US00D411628S

# United States Patent [19] Dyer

[11] **Patent Number: Des. 411,628**  
[45] **Date of Patent: \*\* Jun. 29, 1999**

[54] **WALL PANEL FOR POULTRY NEST STRUCTURE**

4,537,001 8/1985 Uppstrom ..... D25/138

[75] Inventor: **Bill Wesley Dyer**, Cullman, Ala.

*Primary Examiner*—Doris Clark  
*Attorney, Agent, or Firm*—Veal & Associates

[73] Assignee: **Dyer Poultry Supply, Inc.**, Cullman, Ala.

[57] **CLAIM**

[\*\*] Term: **14 Years**

The ornamental design for the wall panel for poultry nest structure, as shown and described.

[21] Appl. No.: **29/066,517**

**DESCRIPTION**

[22] Filed: **Feb. 18, 1997**

FIG. 1 is a front perspective view of a wall panel for poultry nest structure, showing my new design, FIG. 2 is a rear perspective, thereof, FIG. 3 is a front elevational view, FIG. 4 is a rear elevational view, FIG. 5 is a side elevational view, FIG. 6 is a side elevational view of the side opposite that shown in FIG. 5, FIG. 7 is a top plan view, FIG. 8 is a bottom view; and, FIG. 9 is a perspective view, the broken lines showing a poultry nest structure are for illustrative purposes only and form no part of the claimed design.

[51] **LOC (6) Cl.** ..... **25-01**

[52] **U.S. Cl.** ..... **D25/138**

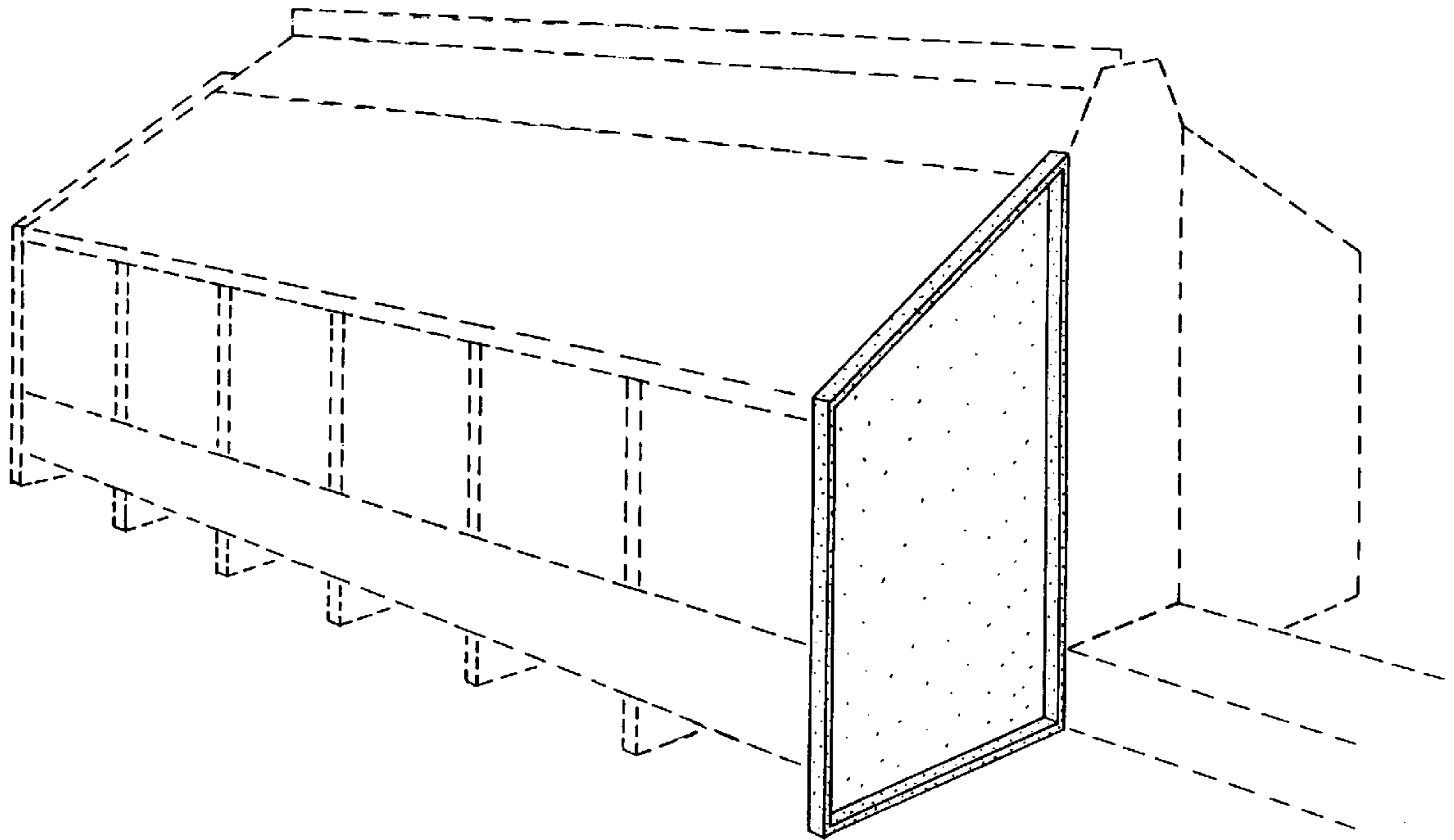
[58] **Field of Search** ..... D25/138, 58; 52/223.6, 52/474, 475.1, 476; D30/108, 2, 119; 119/482, 436, 416, 437, 445, 487

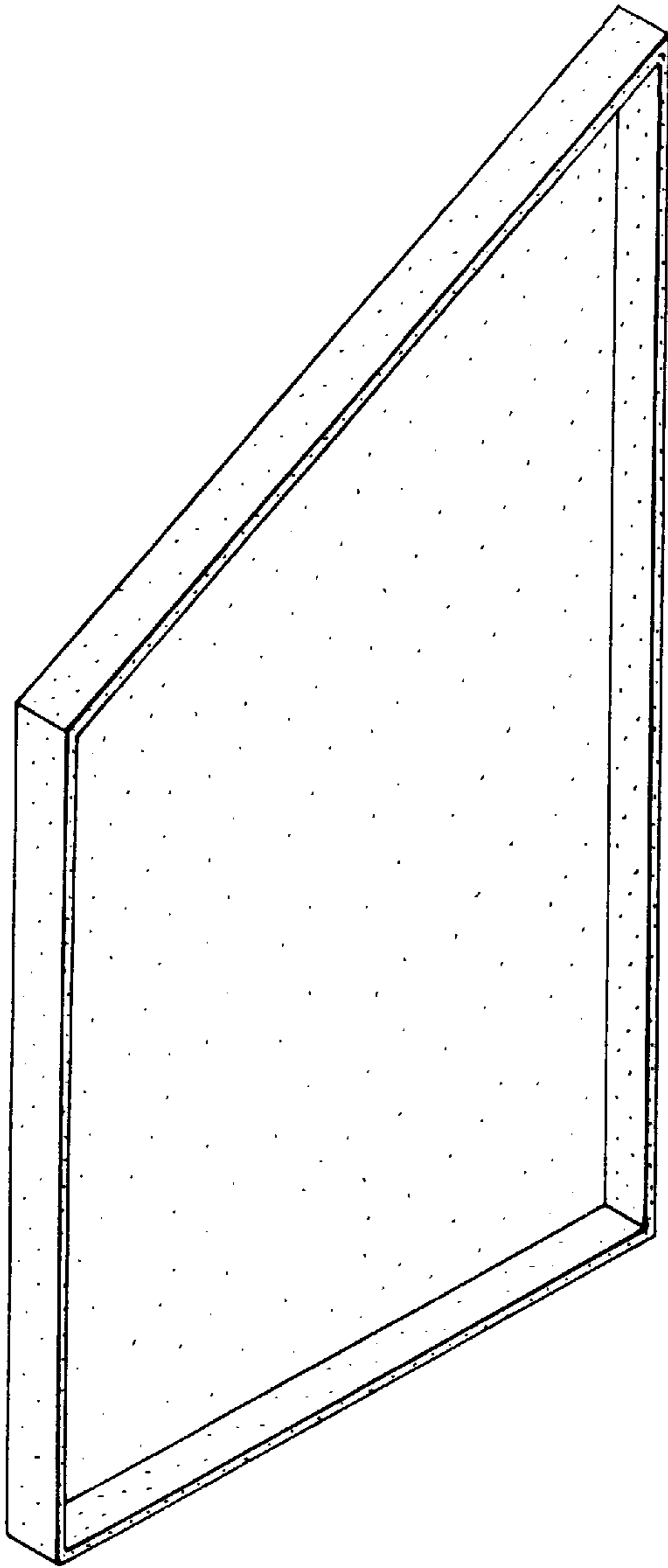
[56] **References Cited**

**U.S. PATENT DOCUMENTS**

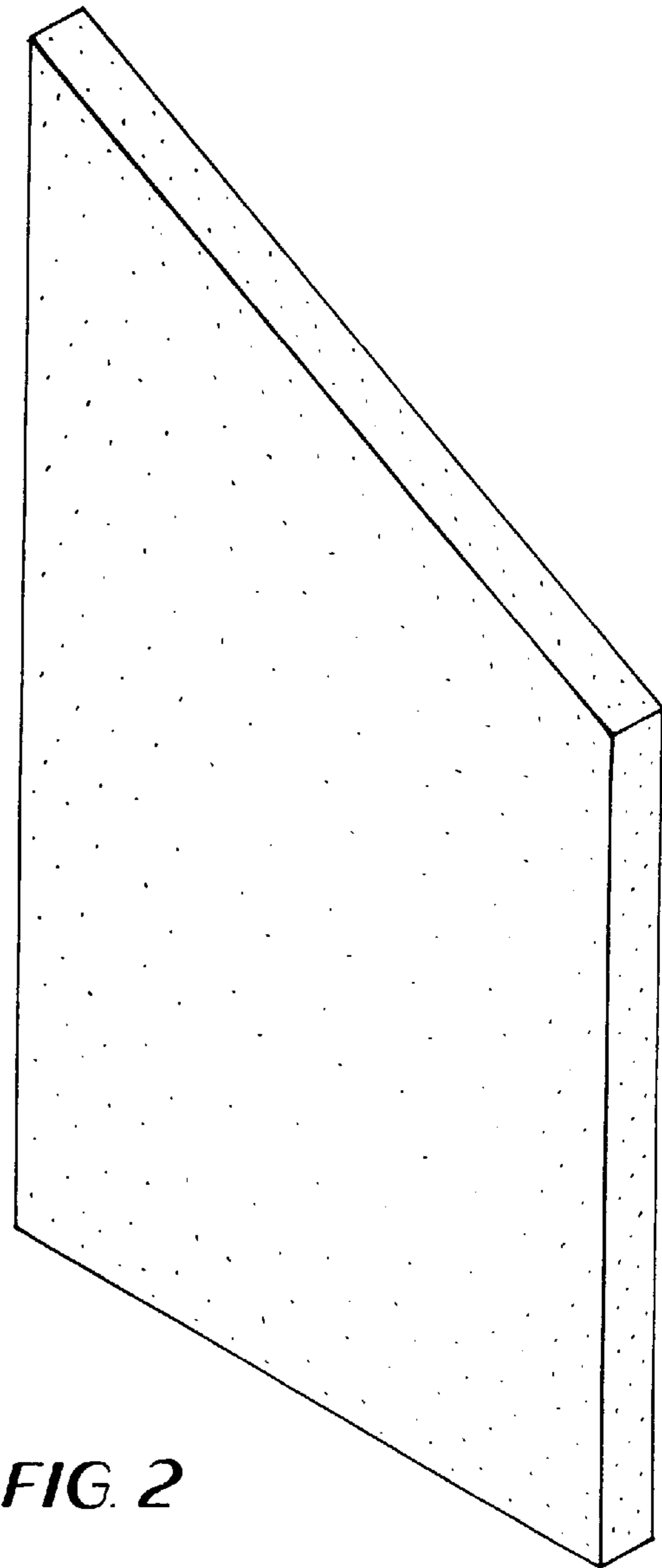
D. 349,783	8/1994	Berger	.....	D30/108
1,618,404	2/1927	Berry	.....	119/482
1,715,175	5/1929	Stark et al.	.....	119/482
1,737,073	11/1929	Boldt	.....	119/482

**1 Claim, 3 Drawing Sheets**





*FIG 1*



*FIG 2*

FIG. 3

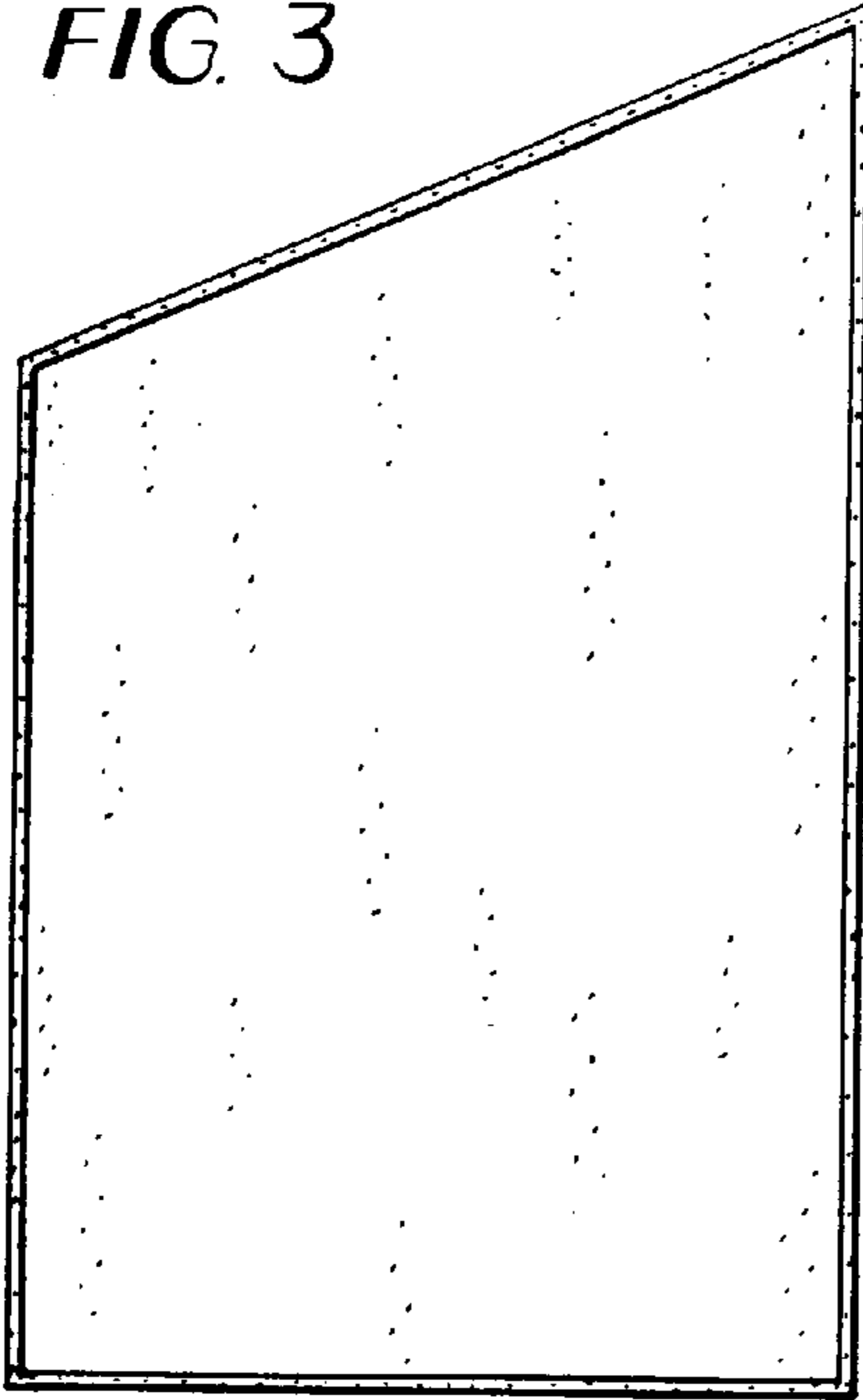


FIG. 4

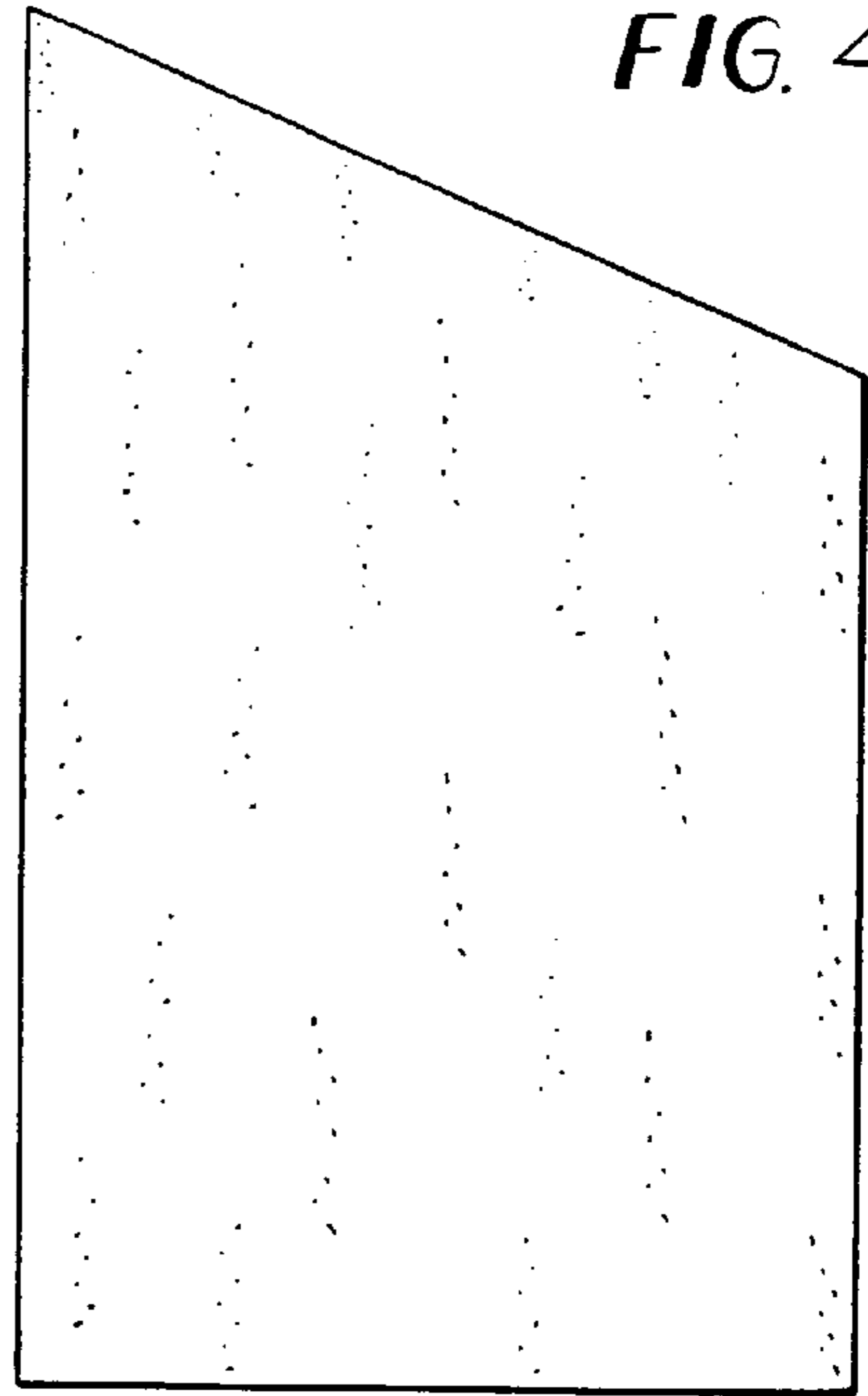


FIG. 5

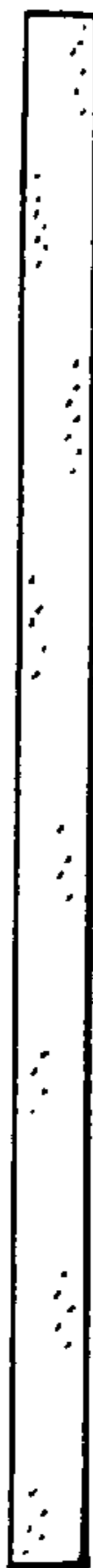


FIG. 6



FIG. 7

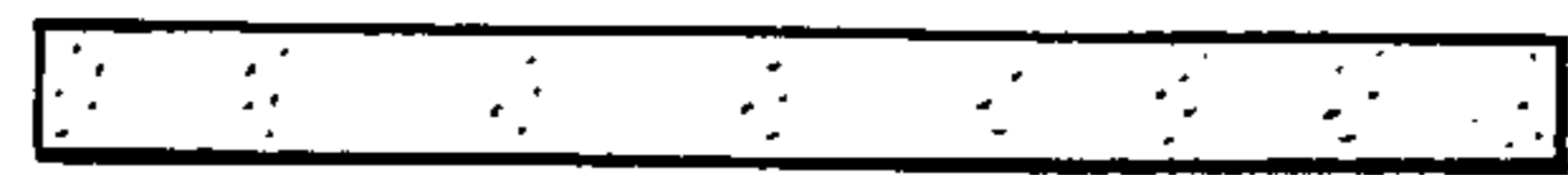
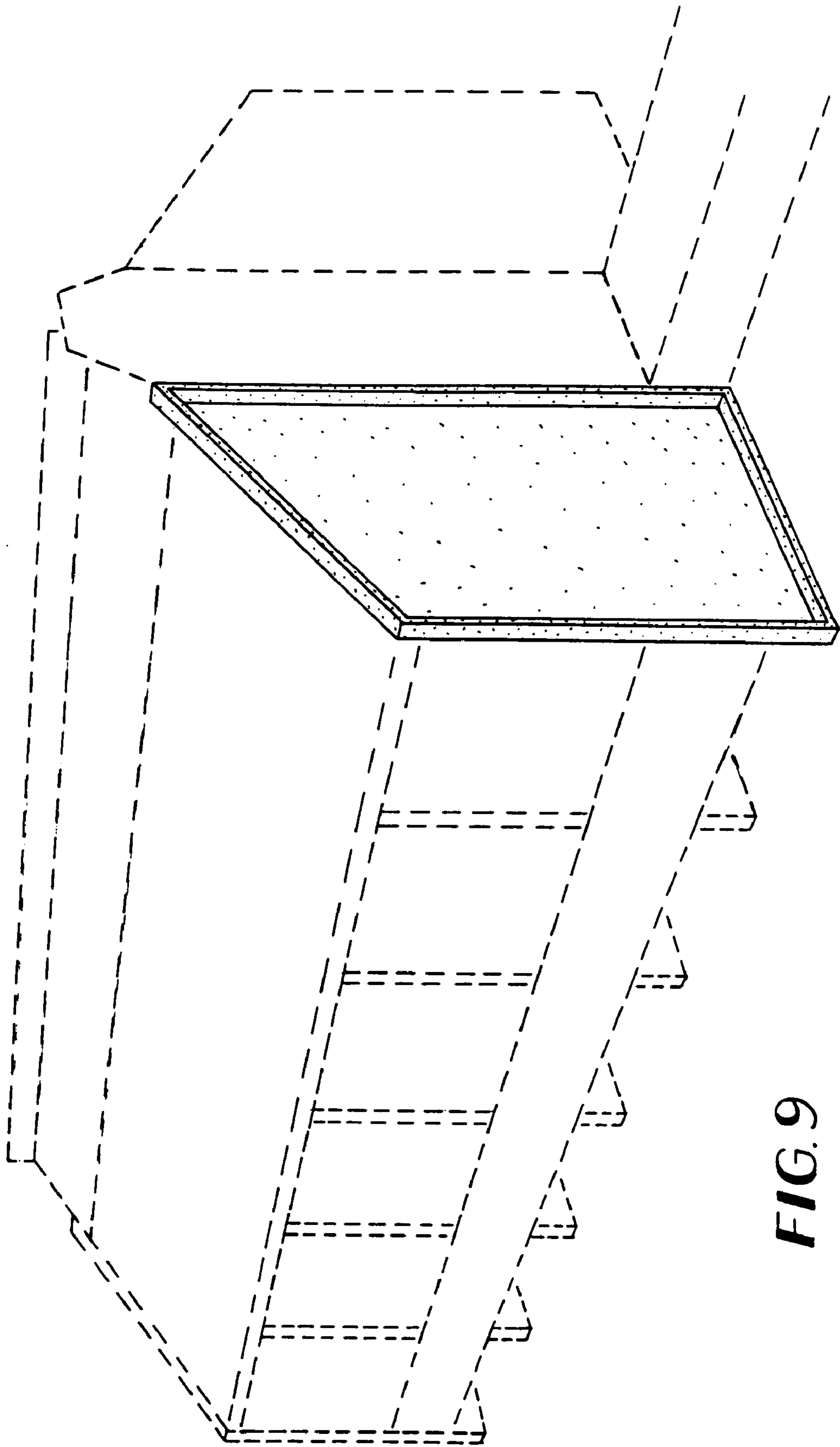


FIG. 8



**FIG. 9**