



US00D411627S

# United States Patent [19] Oliver

[11] **Patent Number: Des. 411,627**

[45] **Date of Patent: \*\* Jun. 29, 1999**

[54] **WINDOW COMPONENT EXTRUSION**

D. 334,819 4/1993 Cole .  
D. 336,343 6/1993 Cole .  
D. 355,720 2/1995 Bancroft ..... D25/124

[75] Inventor: **Teresa Oliver**, Kent, Wash.

[73] Assignee: **Mikron Industries, Inc.**, Kent, Wash.

*Primary Examiner*—Doris Clark  
*Attorney, Agent, or Firm*—Richardson & Folise

[\*\*] Term: **14 Years**

[57] **CLAIM**

[21] Appl. No.: **29/090,874**

The ornamental design for a window component extrusion, as shown and described.

[22] Filed: **Jul. 17, 1998**

[51] **LOC (6) Cl.** ..... **25-01**

**DESCRIPTION**

[52] **U.S. Cl.** ..... **D25/124**

FIG. 1 is a top right perspective view of the window component extrusion which is broken in the center indicating indefinite length; and,

[58] **Field of Search** ..... D25/124, 52, 60,  
D25/125; 52/204.1, 205.1, 474-476; 49/DIG. 1,  
DIG. 2, 504-505

FIG. 2 is a bottom left perspective view of the window component extrusion shown in FIG. 1.

[56] **References Cited**

**U.S. PATENT DOCUMENTS**

D. 325,094 3/1992 Dallaire ..... D25/124

**1 Claim, 1 Drawing Sheet**

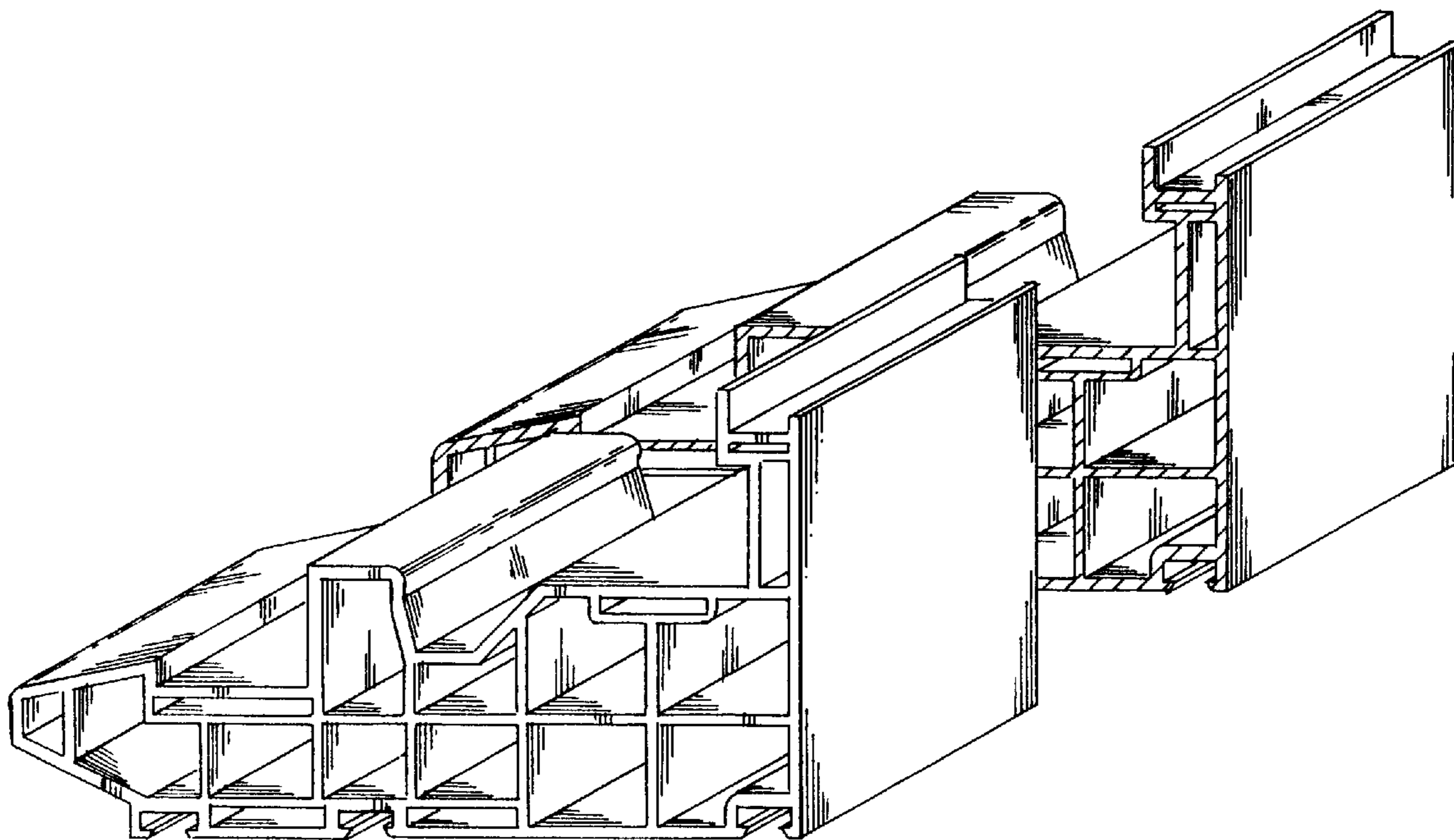


FIG. 1

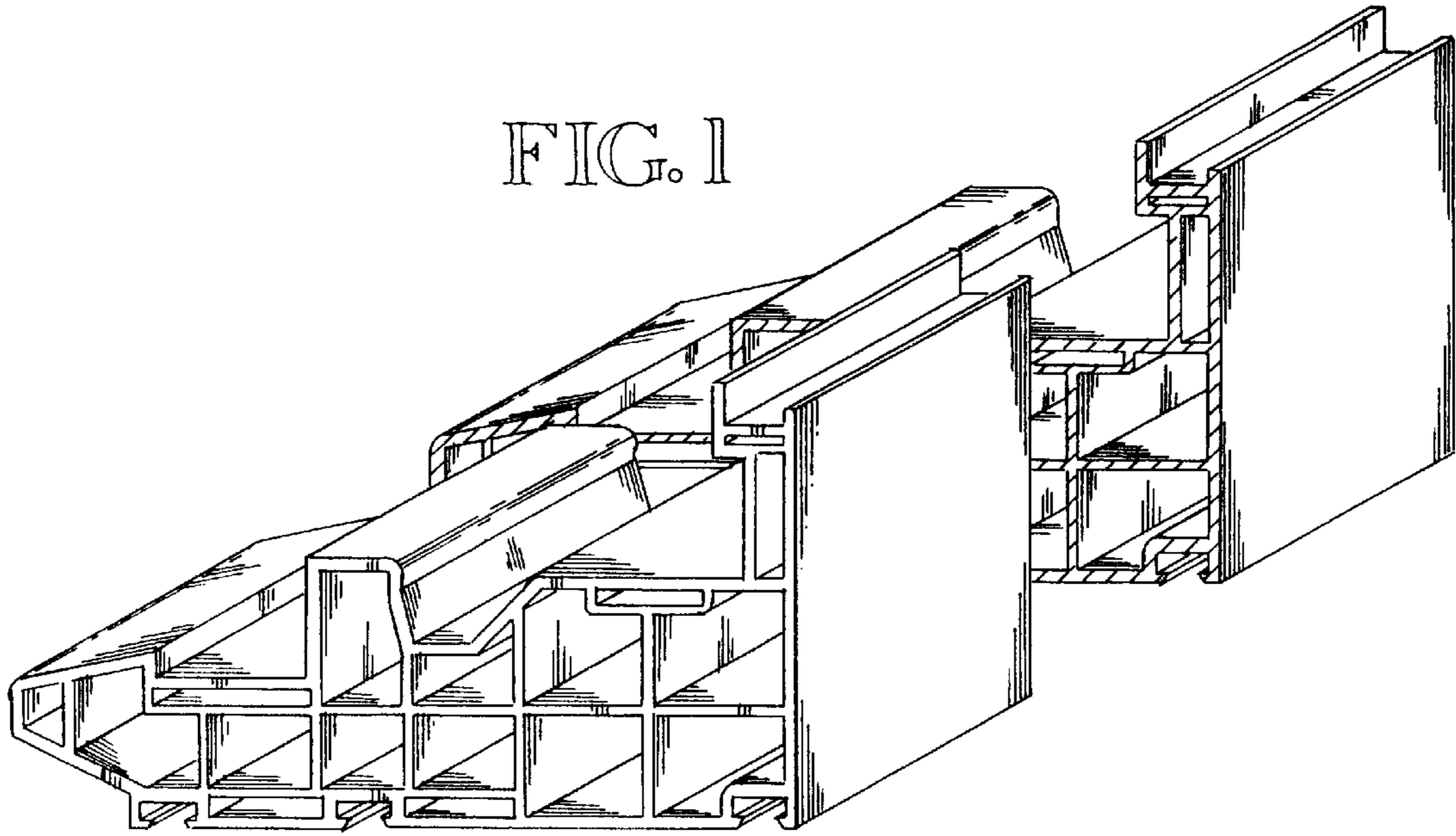


FIG. 2

