



US00D411625S

# United States Patent [19]

Fuller et al.

[11] Patent Number: **Des. 411,625**

[45] Date of Patent: **\*\* Jun. 29, 1999**

[54] **STORAGE SHED LID**

[75] Inventors: **John Fuller**, Madison, Wis.; **Jonathan Mandell**, North Canton, Ohio

[73] Assignee: **Rubbermaid Incorporated**, Wooster, Ohio

[\*\*] Term: **14 Years**

[21] Appl. No.: **29/088,524**

[22] Filed: **May 26, 1998**

[51] **LOC (6) Cl.** ..... **25-02**

[52] **U.S. Cl.** ..... **D25/56**

[58] **Field of Search** ..... D25/56, 138; 52/22, 52/23, 36.1, 36.2, 66, 192

[56] **References Cited**

**U.S. PATENT DOCUMENTS**

D. 241,334	9/1976	Howard	.....	D25/56
D. 300,362	3/1989	Adams	.....	D25/33
D. 325,979	5/1992	Mahler	.....	D25/33
D. 332,332	1/1993	Markey	.....	D34/1
D. 364,468	11/1995	Maple	.....	D25/16
D. 365,154	12/1995	Maple	.....	D25/16
D. 375,168	10/1996	Hunt et al.	.....	D25/16
D. 375,169	10/1996	Hunt et al.	.....	D25/16
D. 384,419	9/1997	Dickinson et al.	.....	D25/16
D. 393,724	4/1998	Sagol	.....	D25/16
2,270,161	1/1942	Briggs	.....	189/2
3,407,549	10/1968	Friedberg	.....	52/36.2
3,543,456	12/1970	Gregoire	.....	52/92
4,115,967	9/1978	Kragt	.....	52/90
4,294,051	10/1981	Hughes, Jr.	.....	52/98
4,425,742	1/1984	Markey et al.	.....	52/90
4,677,797	7/1987	Roth	.....	52/94
5,167,341	12/1992	Morton et al.	.....	52/66

**FOREIGN PATENT DOCUMENTS**

2240024 7/1991 United Kingdom .

**OTHER PUBLICATIONS**

Catalog page, Shed panels; Handy Home Products, P. O. Box 548, Walled Lake, Michigan 48390-3222. Published at least as early as 1991.

P. 9, Shed panels; Handy Home Products, P. O. Box 548, Walled Lake, Michigan 48390-3222. Published at least as early as 1991.

Brochure page, Shed panels; Arrow, P. O. Box 14, Haskell, New Jersey 07420. Publication date Dec., 1990.

Sell sheet, Shed panels; Spacemaker, 3069 Wolfedale Road, Mississauga, Ontario, Canada L5C 1V9. Published at least as early as 1991.

P. 12, Shed panels; Heinz Kettler Metallwarenfabrik GmbH, D-4763 Ense-Parsit, Postfach 1020. Published at least as early as 1991.

Sell sheet, Shed panels; Royal Rubbermaid Structures Ltd., 1147 Akron Road, Wooster, Ohio 44691. Publication date 1995.

Catalog page, Shed panels; Rubbermaid Incorporated, 1147 Akron Road, Wooster, Ohio 44691. Publication date Jul., 1997.

*Primary Examiner*—Doris Clark

*Attorney, Agent, or Firm*—Richard B. O'Planick

[57] **CLAIM**

The ornamental design for a storage shed lid, as shown and described.

**DESCRIPTION**

FIG. 1 is a top right front perspective view of a storage shed lid showing our new design; the broken line showing of a base for a storage shed is for illustrative purposes only and forms no part of the claimed design.

FIG. 2 is a front elevational view thereof;

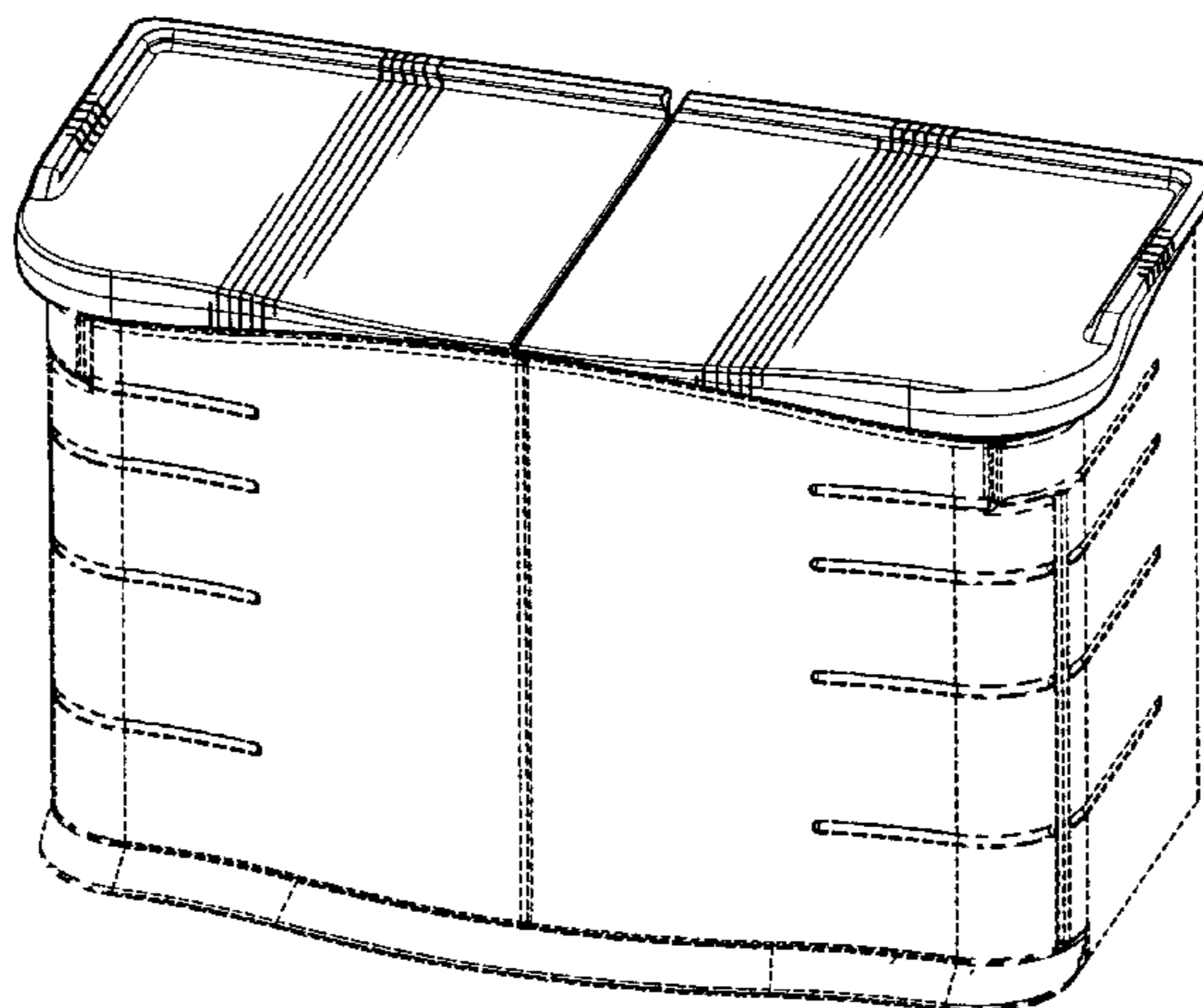
FIG. 3 is a left side elevational view thereof; the right side elevational view being a mirror image;

FIG. 4 is a top plan view thereof;

FIG. 5 is a rear elevational view thereof; and,

FIG. 6 is a bottom plan view thereof.

**1 Claim, 2 Drawing Sheets**



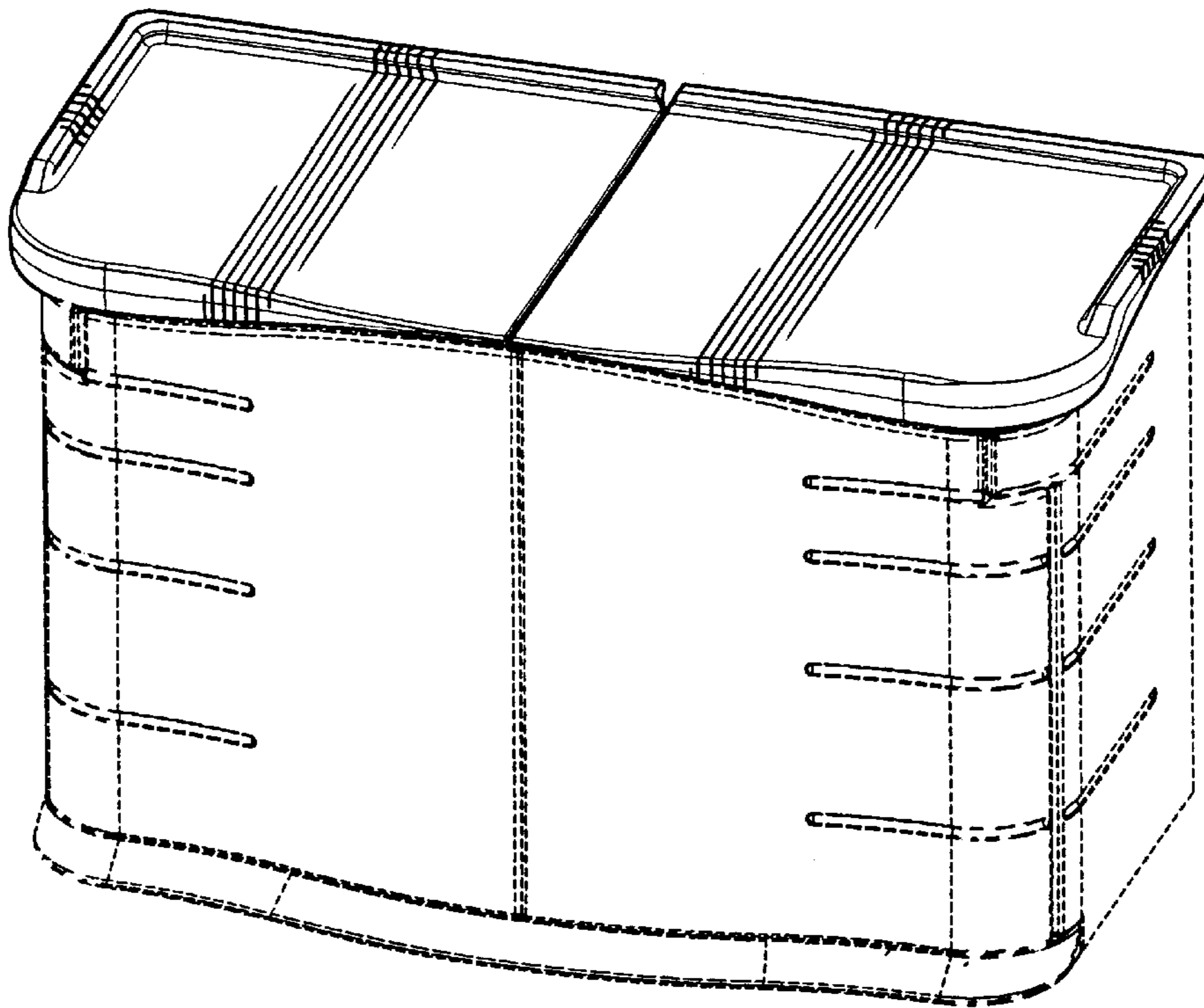


Fig-1

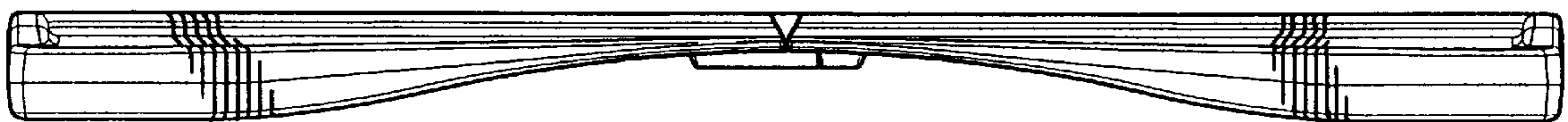
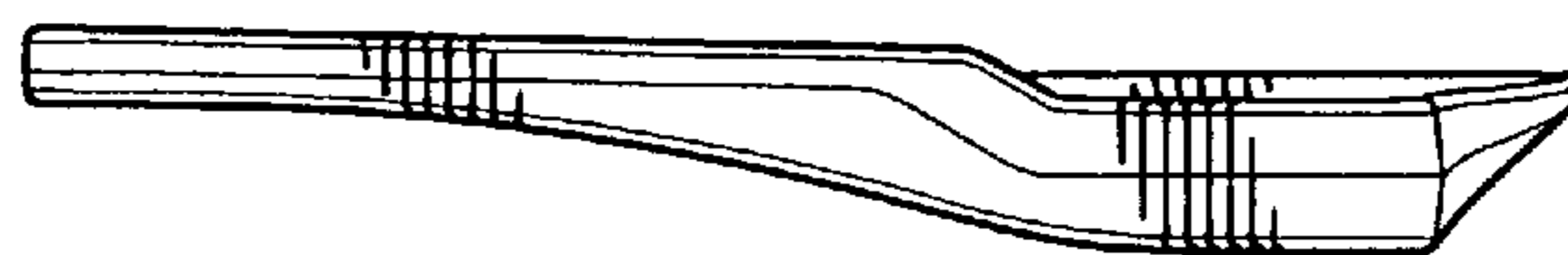


Fig-2

Fig-3



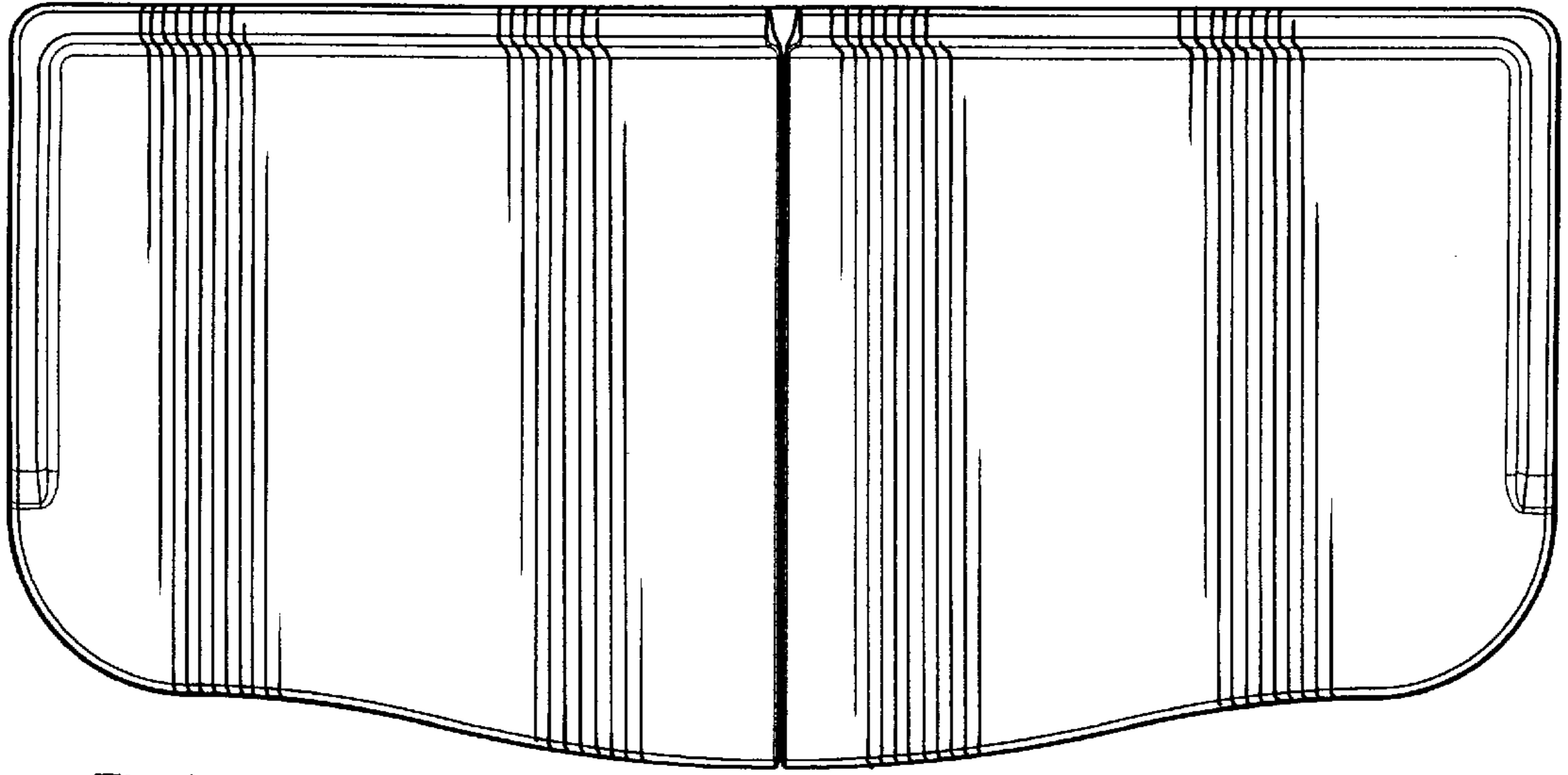


Fig-4



Fig-5

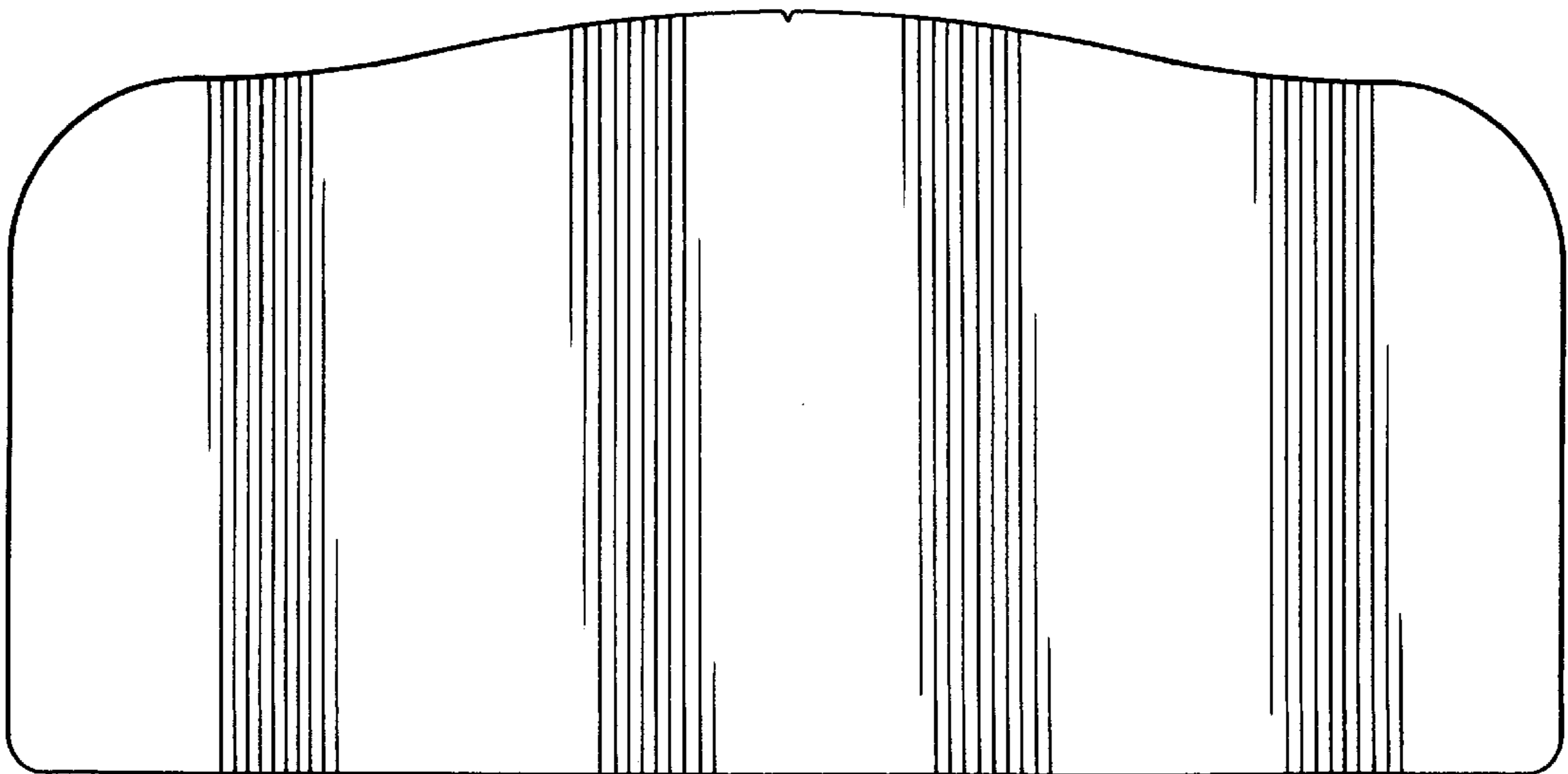


Fig-6