



US00D411623S

# United States Patent [19] Schiavoni

[11] Patent Number: **Des. 411,623**

[45] Date of Patent: **\*\* Jun. 29, 1999**

[54] **DEVICE FOR IMPROVING ORAL MOTOR FUNCTION**

5,334,218 8/1994 Johnson .  
5,735,772 4/1998 Schiavoni ..... 606/235 X  
5,814,074 9/1998 Branam ..... 606/234

[76] Inventor: **Mary E. Schiavoni**, 136 Arlington St.,  
Brighton, Mass. 02135

[\*\*] Term: **14 Years**

### FOREIGN PATENT DOCUMENTS

12655 of 1896 United Kingdom .  
2159720 12/1985 United Kingdom .

[21] Appl. No.: **29/086,119**

*Primary Examiner*—Stella Reid  
*Attorney, Agent, or Firm*—O'Connell Law Firm

[22] Filed: **Apr. 6, 1998**

### [57] CLAIM

[51] **LOC (6) Cl.** ..... **24-04**

[52] **U.S. Cl.** ..... **D24/193**

[58] **Field of Search** ..... D24/193, 190,  
D24/194; 606/234, 235, 236; 482/11

I claim the ornamental design for a device for improving oral motor function, as shown.

### DESCRIPTION

### [56] References Cited

#### U.S. PATENT DOCUMENTS

2,115,405 4/1938 Allen .  
3,118,667 1/1964 Barons .  
3,867,770 2/1975 Davis .  
4,997,182 3/1991 Kussick ..... 482/11  
5,213,553 5/1993 Light .  
5,263,976 11/1993 Williams .

FIG. 1 is a view in side elevation of a device for improving oral motor function showing my new design with the opposite side being identical thereto; FIG. 2 is a view in front elevation of the device of FIG. 1; FIG. 3 is a view in rear elevation of the device of FIG. 1; FIG. 4 is a top plan view of the device of FIG. 1; and, FIG. 5 is a bottom plan view of the device of FIG. 1.

**1 Claim, 3 Drawing Sheets**

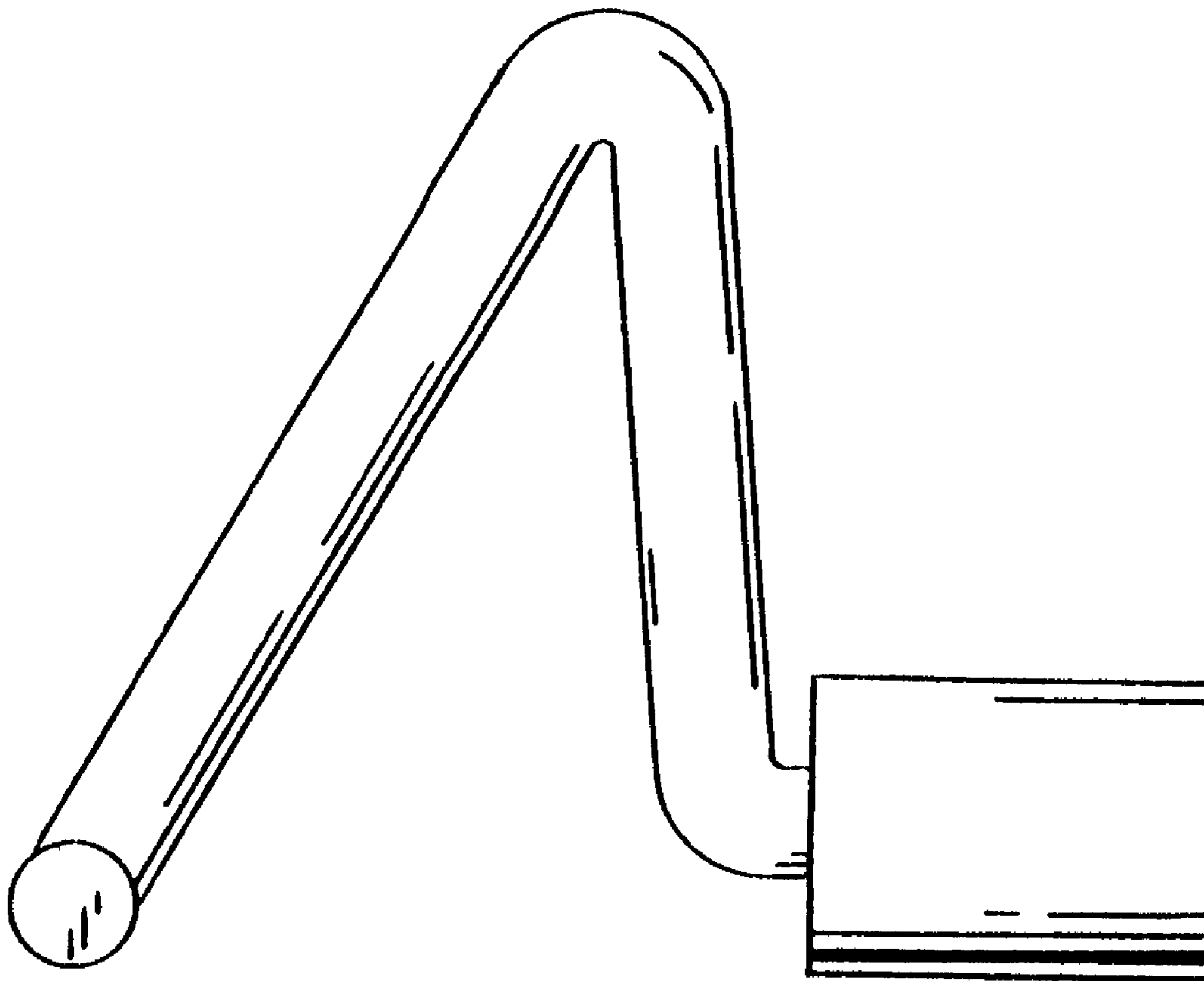


FIG. 1

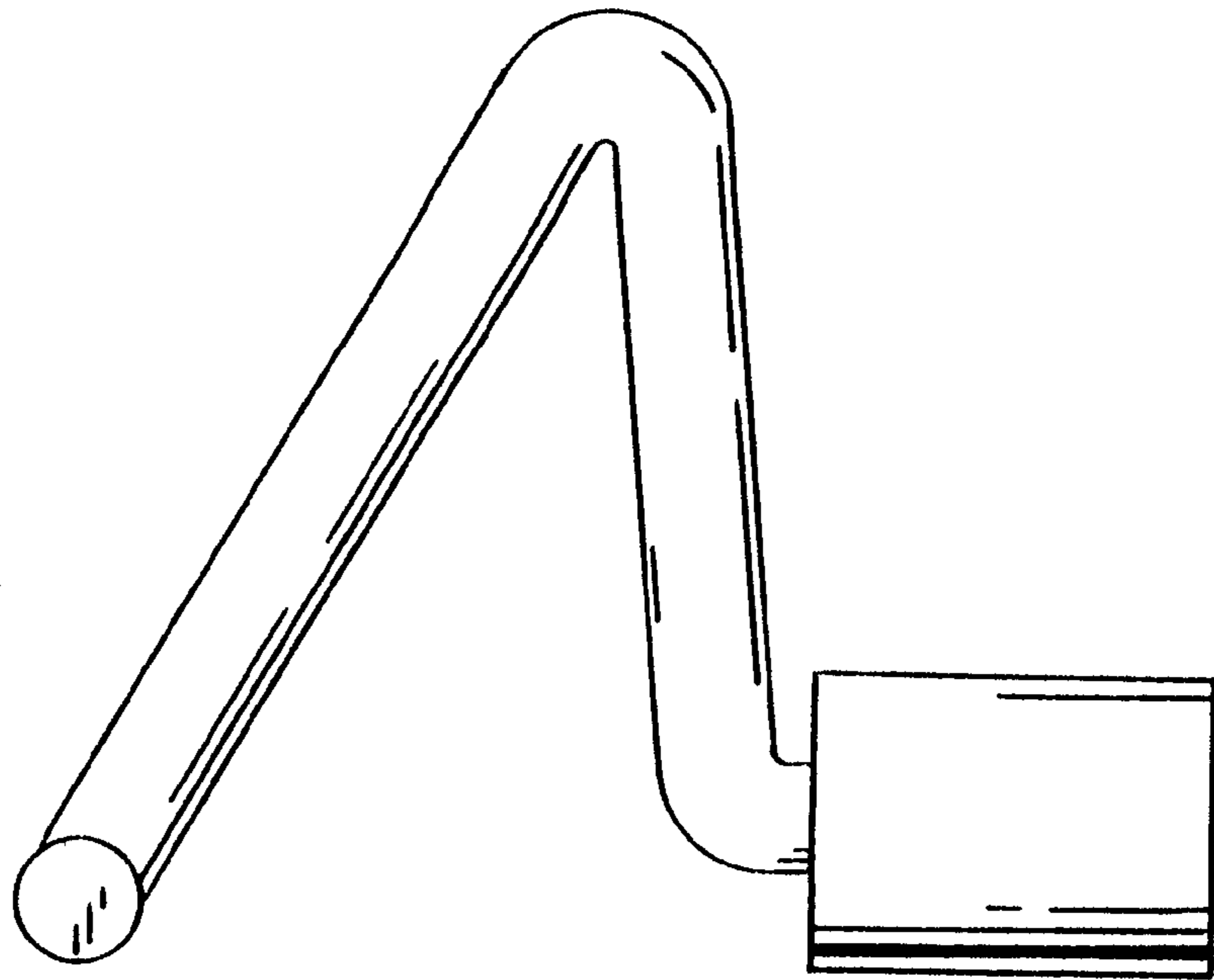
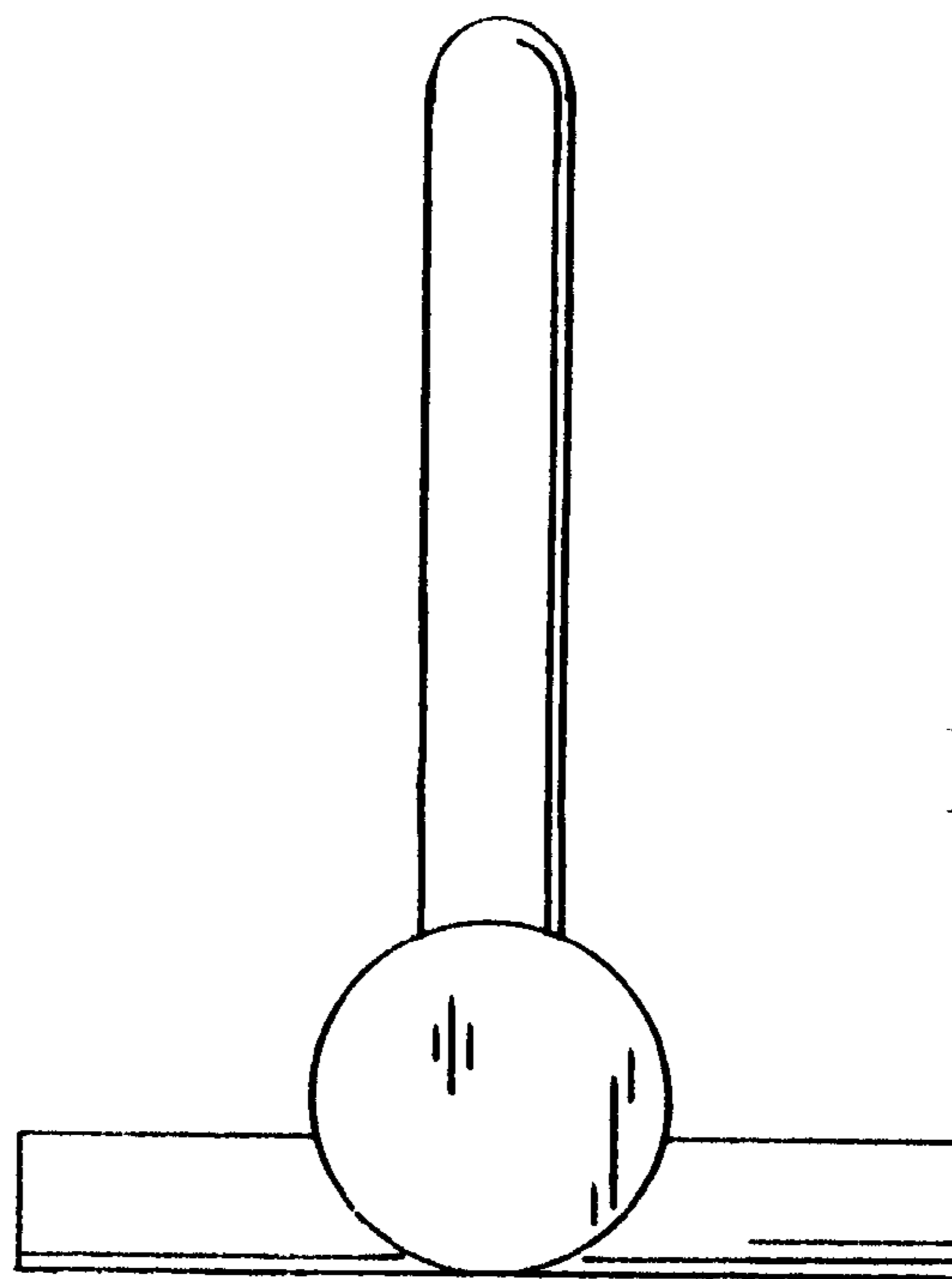


FIG. 2



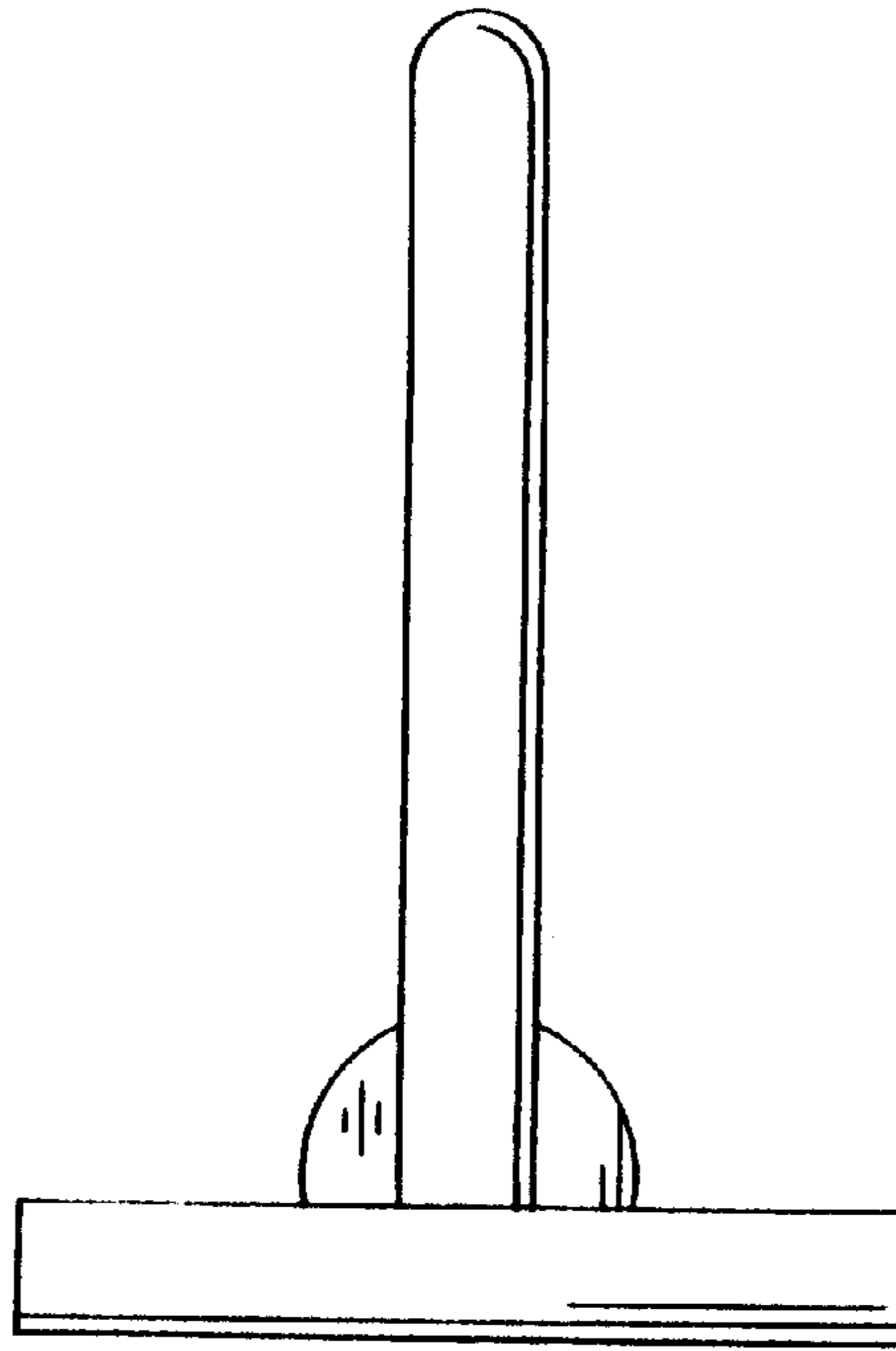


FIG. 3

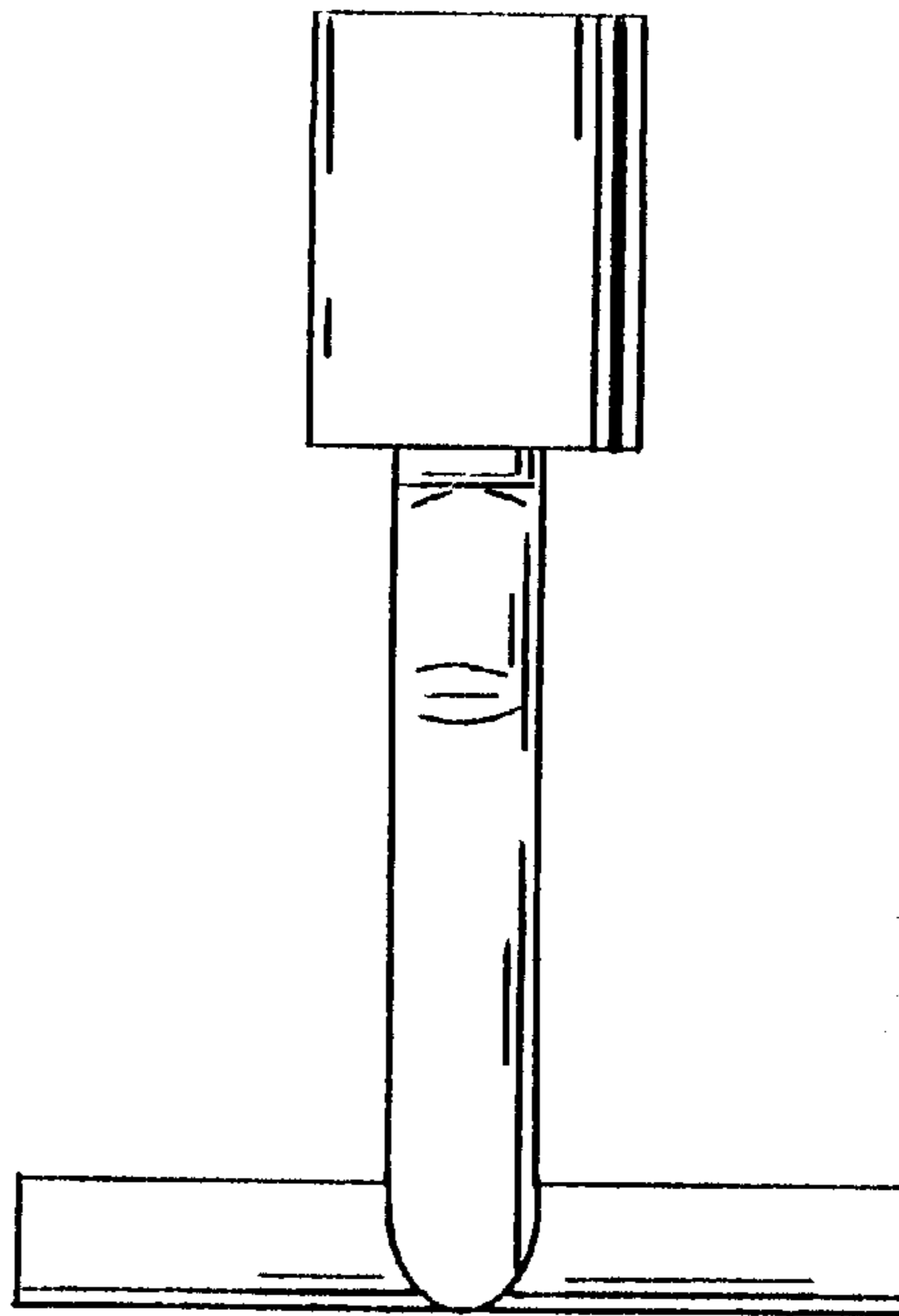


FIG. 4

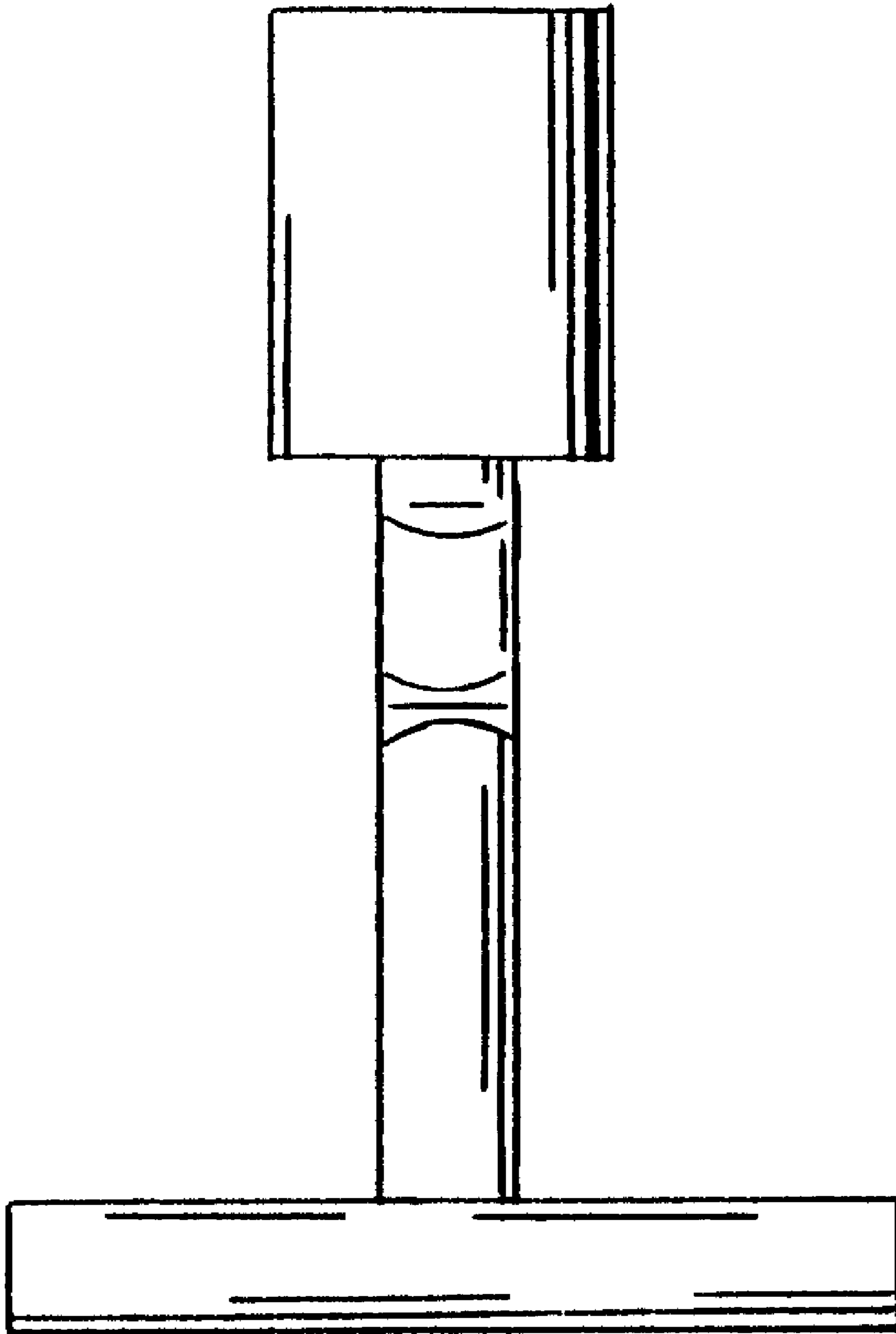


FIG. 5