



US00D411620S

# United States Patent [19]

[11] Patent Number: Des. 411,620

Lindseth et al.

[45] Date of Patent: \*\* Jun. 29, 1999

[54] **COMBINED CPR PROMPT DEVICE AND BASE**

[75] Inventors: **Steven W. Lindseth**, Gates Mill; **R. Richard Carpenter**, Hudson; **John J. Pastrick**, University Heights, all of Ohio; **Kyle Swen**, Campbell; **Brett Lovelady**, Saratoga, both of Calif.; **Mark E. Cook**, Stow, Ohio; **Curt Bingham**, Redwood City, Calif.

[73] Assignee: **CPR Prompt, L.L.C.**, Warrensville Heights, Ohio

[\*\*] Term: **14 Years**

[21] Appl. No.: **29/063,121**

[22] Filed: **Nov. 27, 1996**

[51] **LOC (6) Cl.** ..... **24-01**

[52] **U.S. Cl.** ..... **D24/167**

[58] **Field of Search** ..... D24/167, 186, D24/200; 601/41; 128/897, 898, 687; 600/454

[56] **References Cited**

**U.S. PATENT DOCUMENTS**

|            |         |               |            |
|------------|---------|---------------|------------|
| Re. 34,800 | 11/1994 | Hutchins      | 128/898    |
| D. 382,645 | 8/1997  | Bergeron      | D24/200    |
| 4,588,383  | 5/1986  | Parker et al. | 128/687 KR |
| 5,394,892  | 3/1995  | Kenny et al.  | 1287/897   |
| 5,496,257  | 3/1996  | Kelly         | 601/41     |

*Primary Examiner*—Stella Reid

*Attorney, Agent, or Firm*—Calfee, Halter & Griswold LLP

[57] **CLAIM**

The ornamental designs for a Combined CPR prompt device and base, as shown and described.

**DESCRIPTION**

FIG. 1 is a front elevational view of a CPR prompt device, showing our new design without the base;

FIG. 2 is a front elevational view of a second embodiment of the CPR prompt device;

FIG. 3 is a front elevational view of a third embodiment the CPR prompt device;

FIG. 4 is a perspective view of FIG. 1;

FIG. 5 is a rear view of FIGS. 1-4;

FIG. 6 is a side elevational view thereof;

FIG. 7 is a side elevational view thereof; opposite that shown in FIG. 6;

FIG. 8 is a side elevational view of FIG. 2;

FIG. 9 is a top end view of FIGS. 1-4;

FIG. 10 is a bottom end view of FIGS. 1 and 4;

FIG. 11 is a rear elevational view of the base piece to be attached to the bottom of FIGS. 1-4;

FIG. 12 is a front elevational view thereof;

FIG. 13 is a side elevational view thereof;

FIG. 14 is a side elevational view thereof, opposite that shown in FIG. 13;

FIG. 15 is a top end view thereof;

FIG. 16 is a bottom end view thereof;

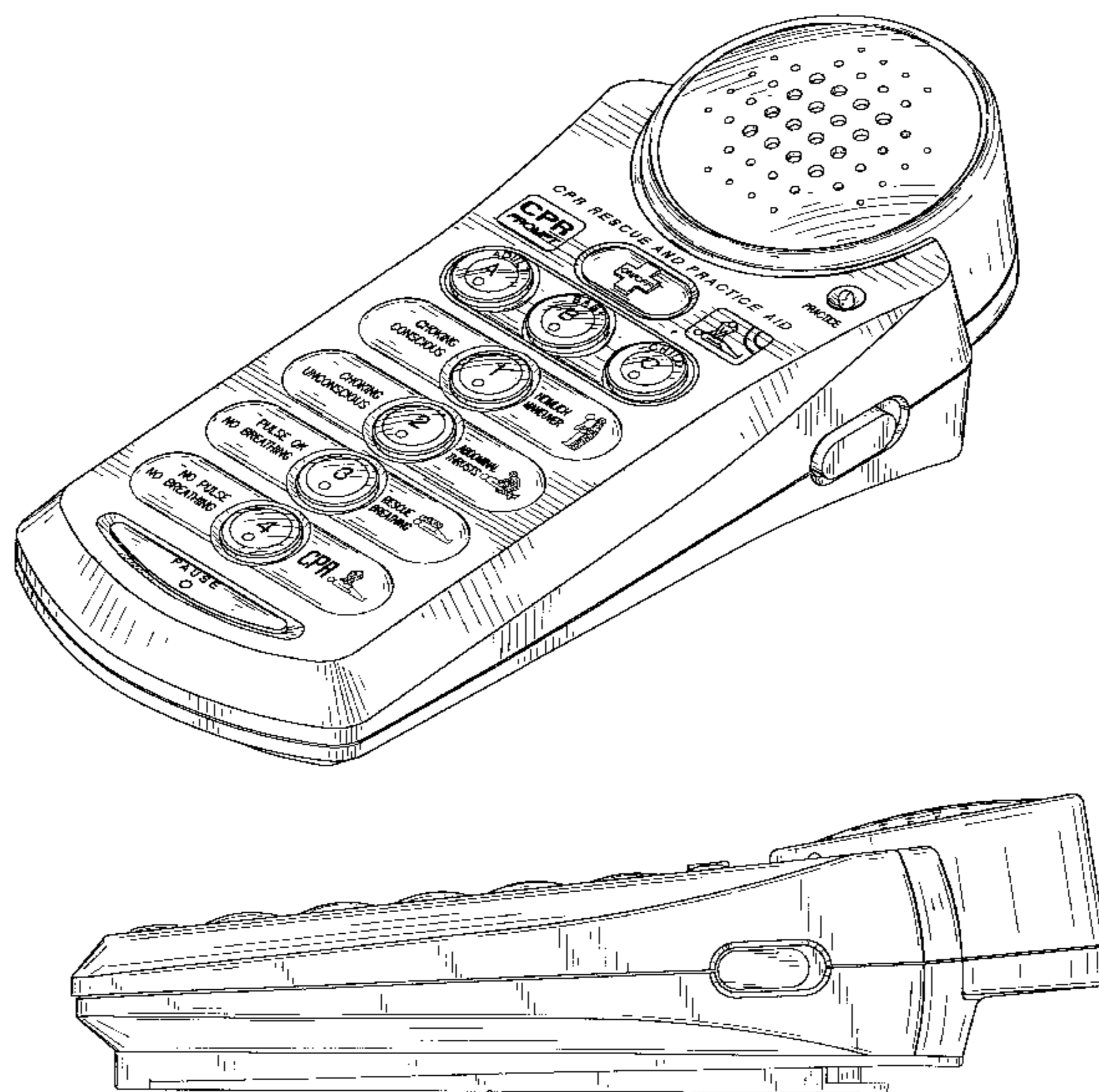
FIG. 17 is a top end view of the CPR prompt device of FIGS. 1-4 and the base of FIGS. 11-16 in attached condition;

FIG. 18 is a bottom end view thereof;

FIG. 19 is a side elevational view thereof; and,

FIG. 20 is a side elevational view thereof, opposite that shown in FIG. 19.

**1 Claim, 11 Drawing Sheets**



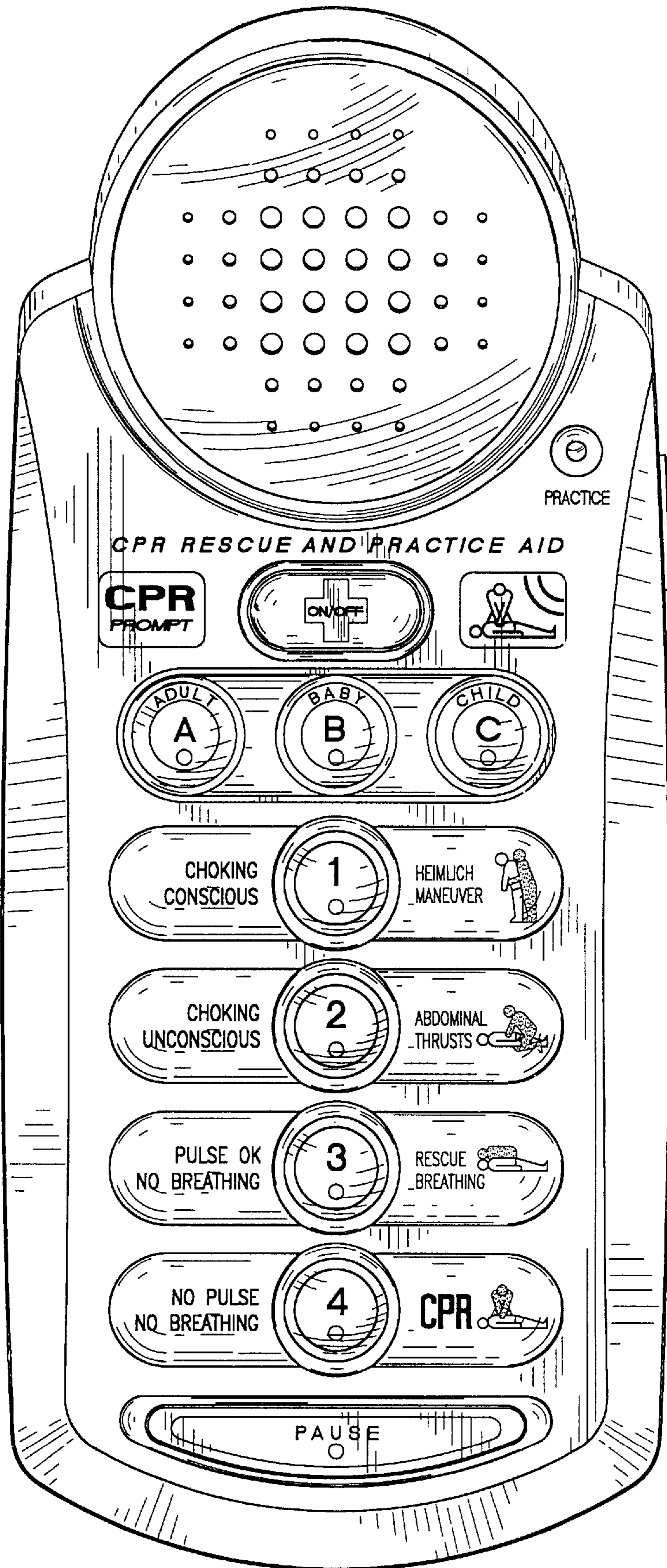


Fig.1

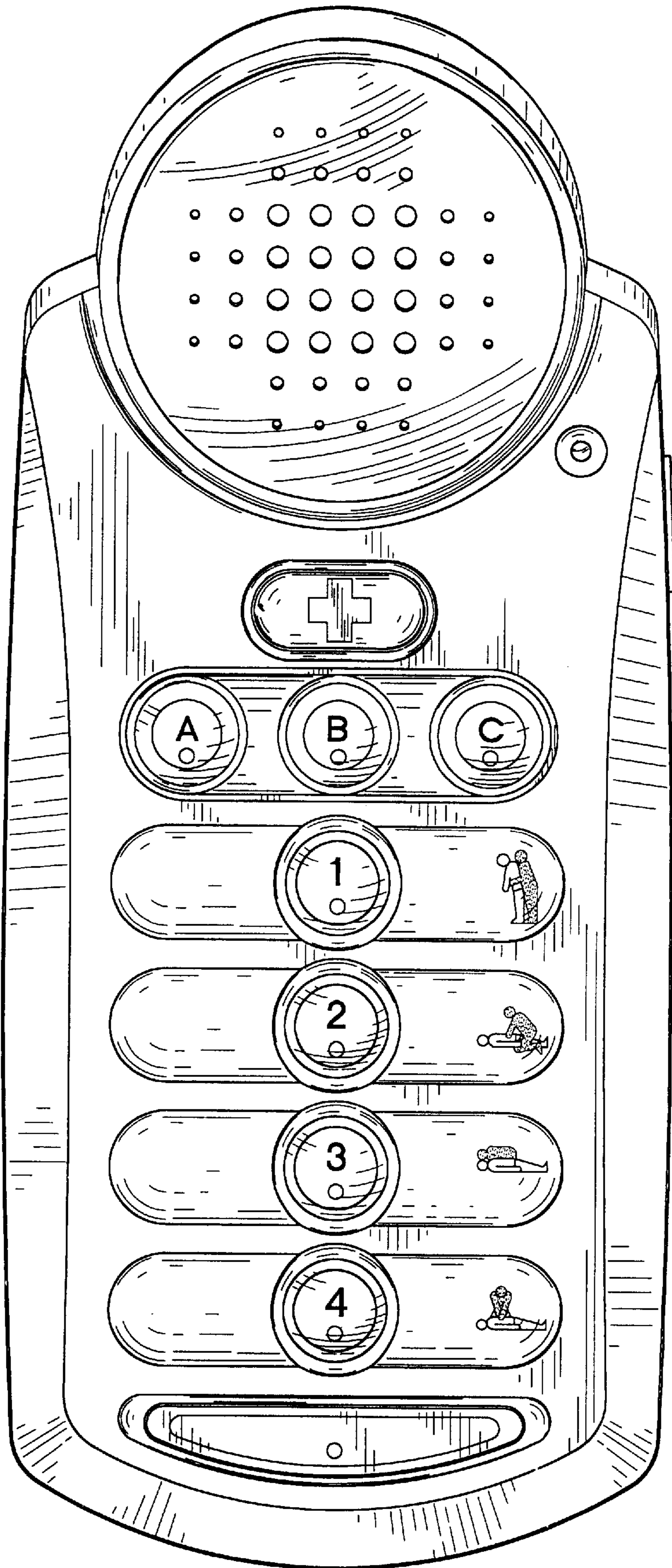


Fig.2

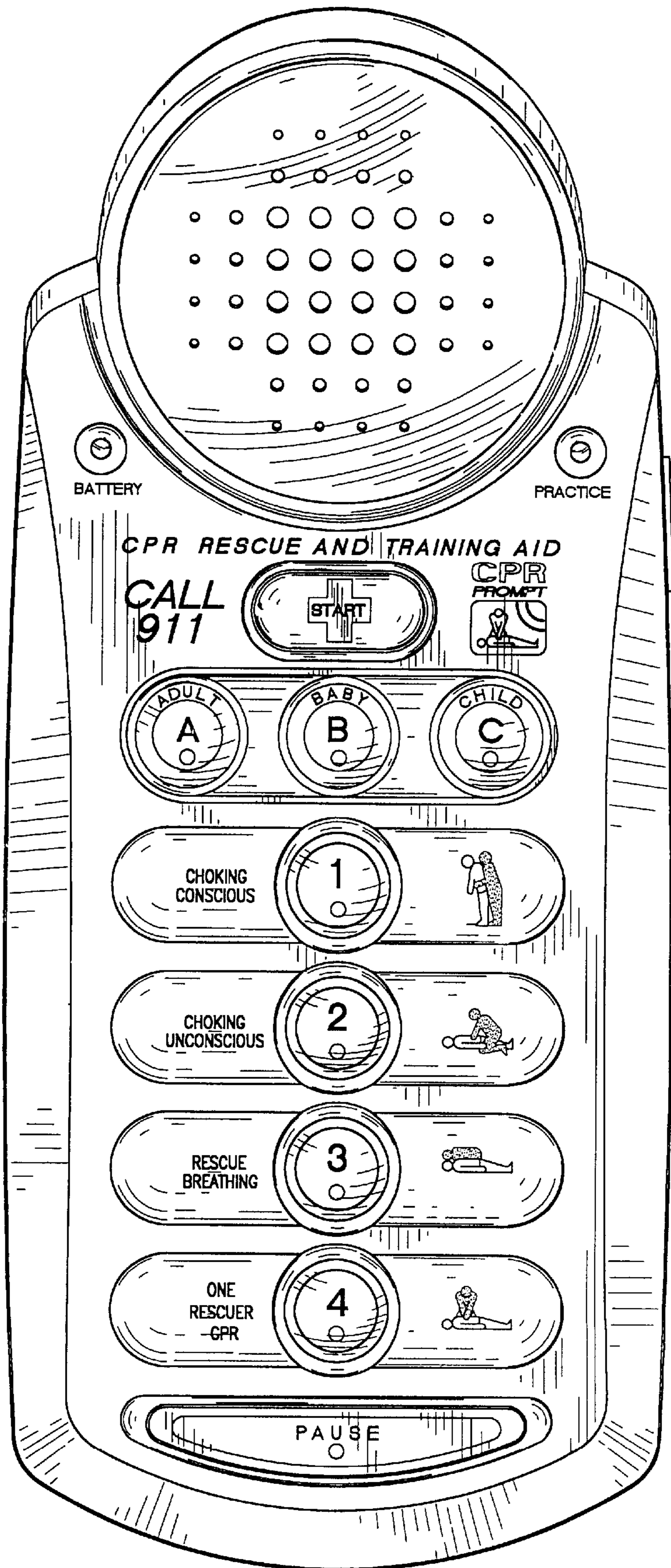


Fig.3

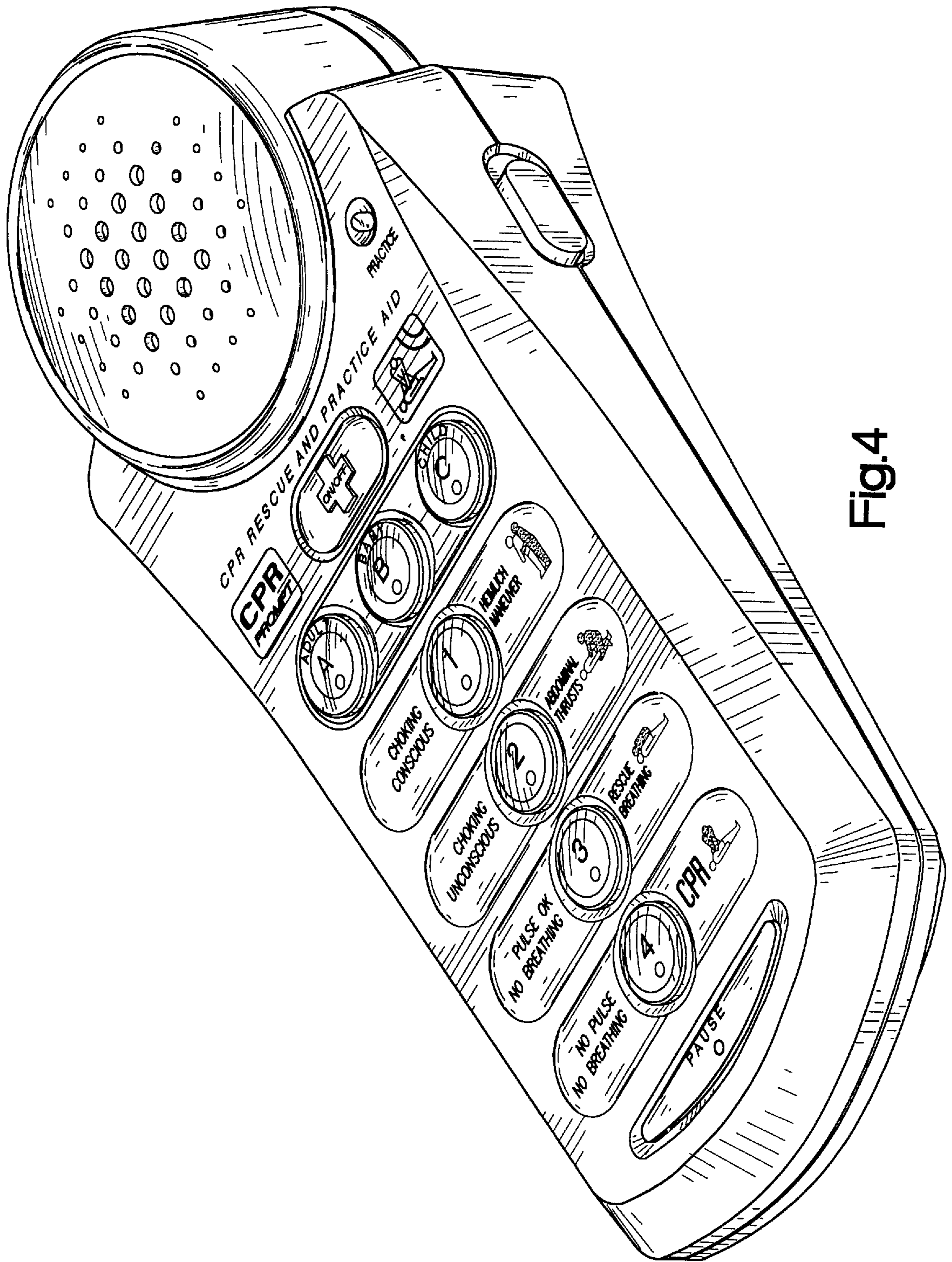


Fig.4

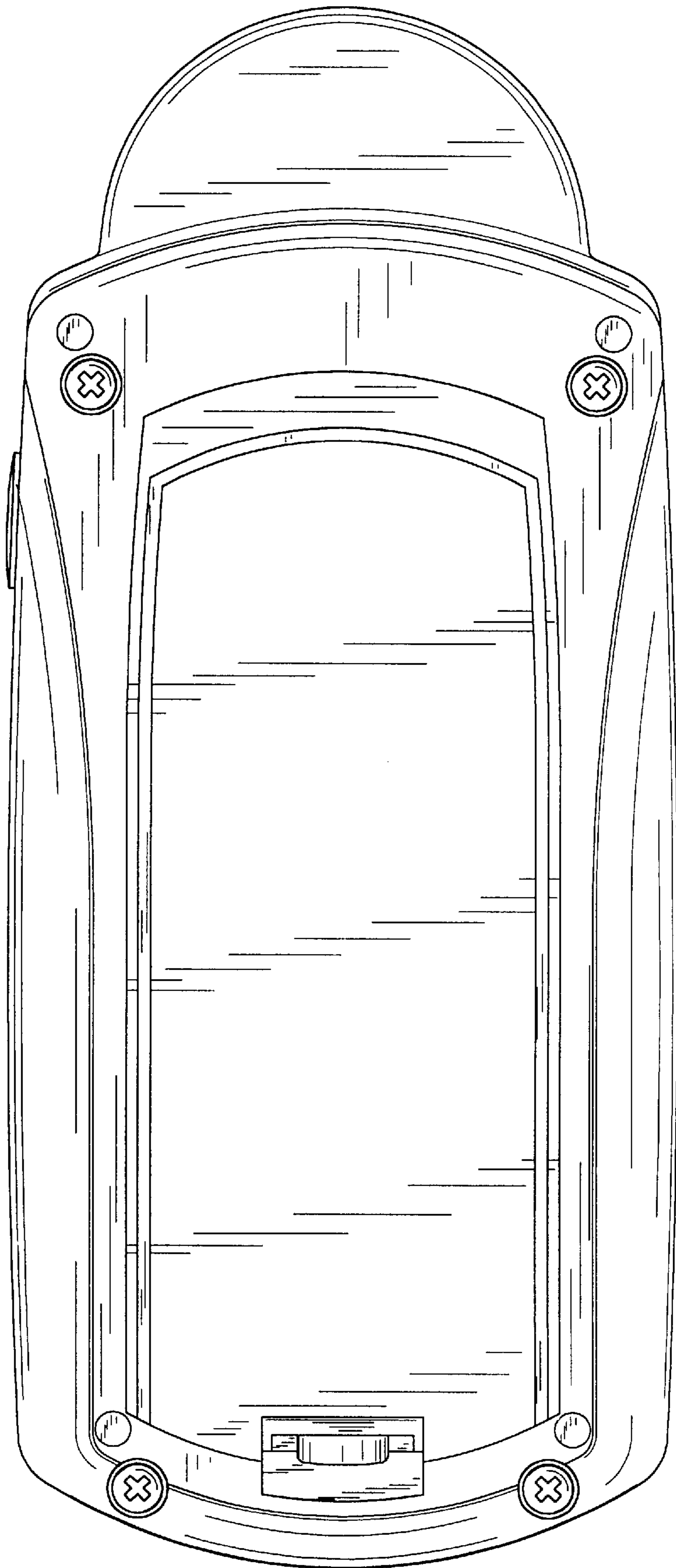


Fig.5

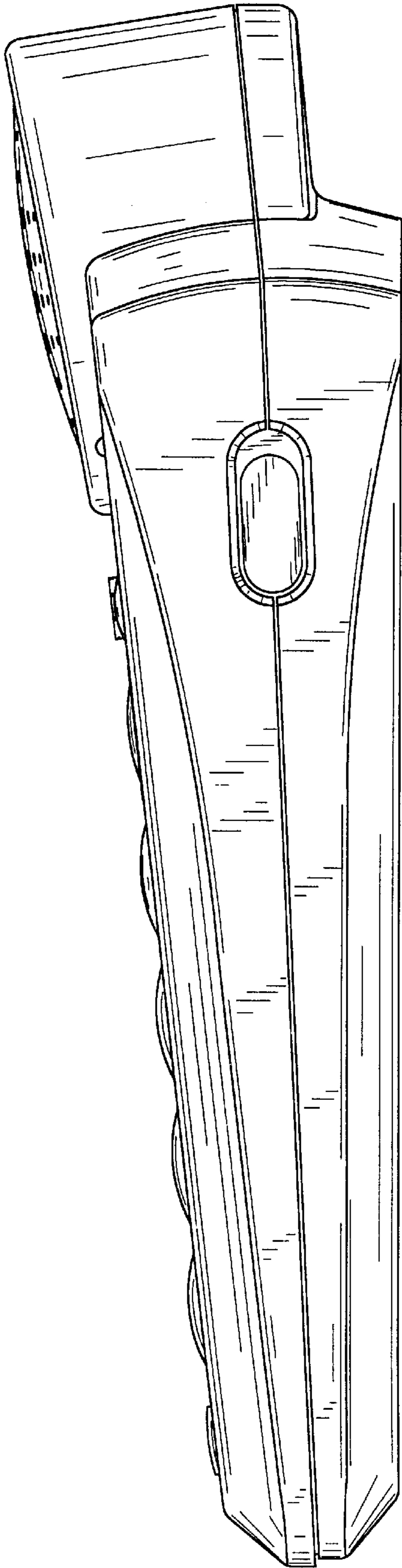


Fig.6

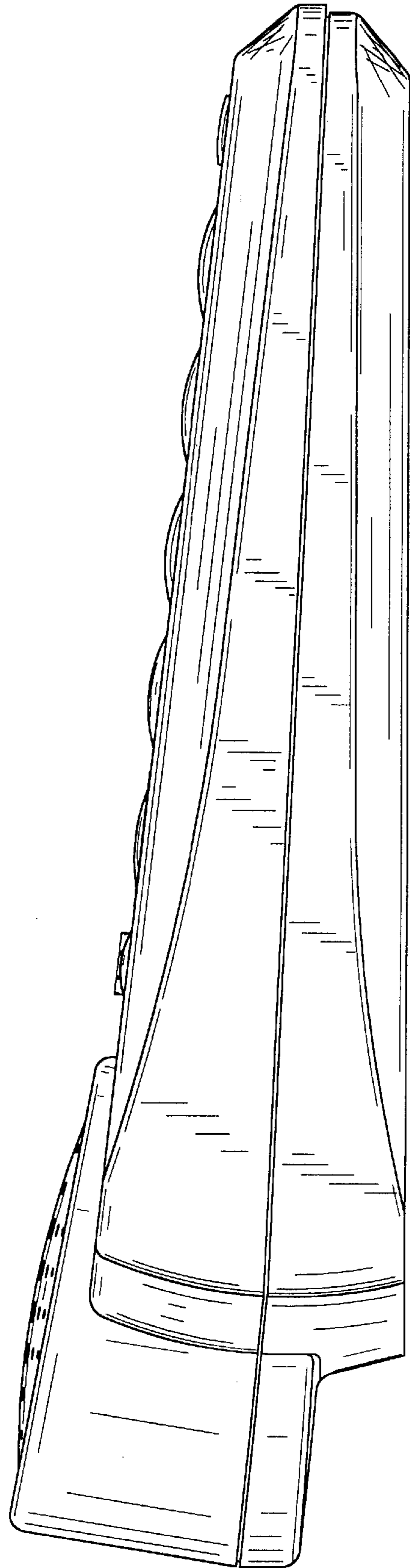


Fig.7

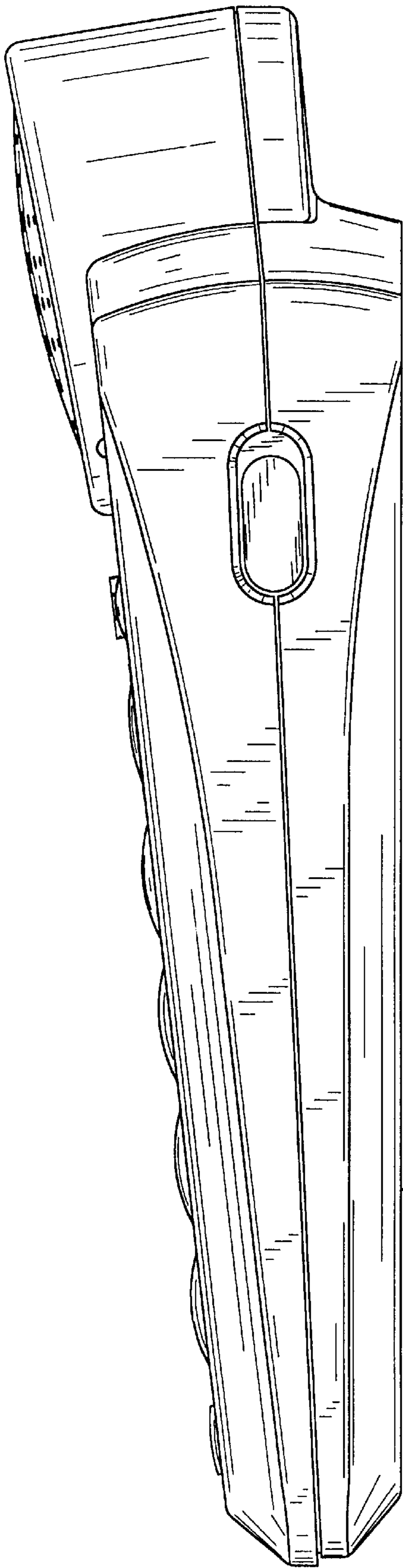


Fig.8

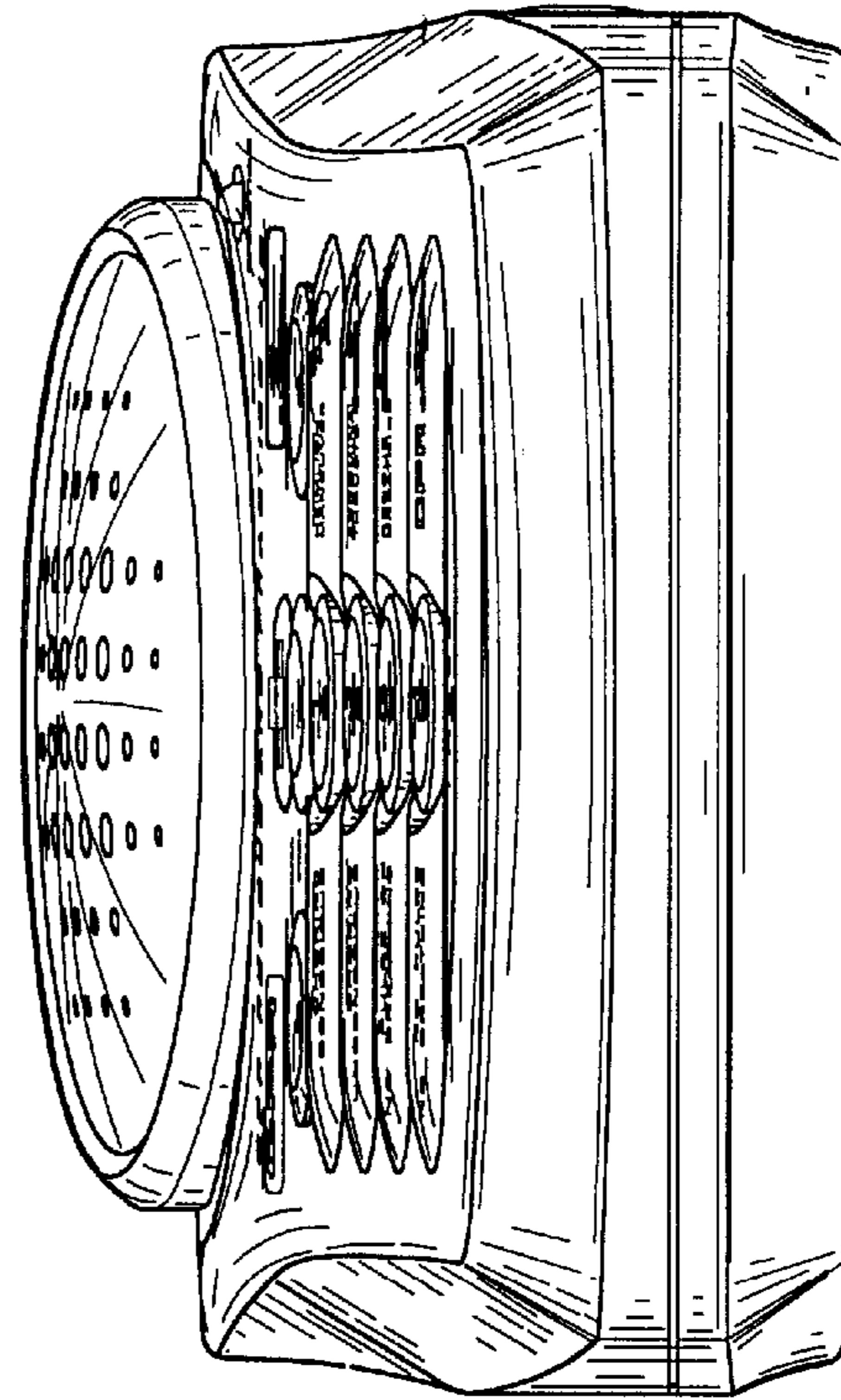


Fig.10

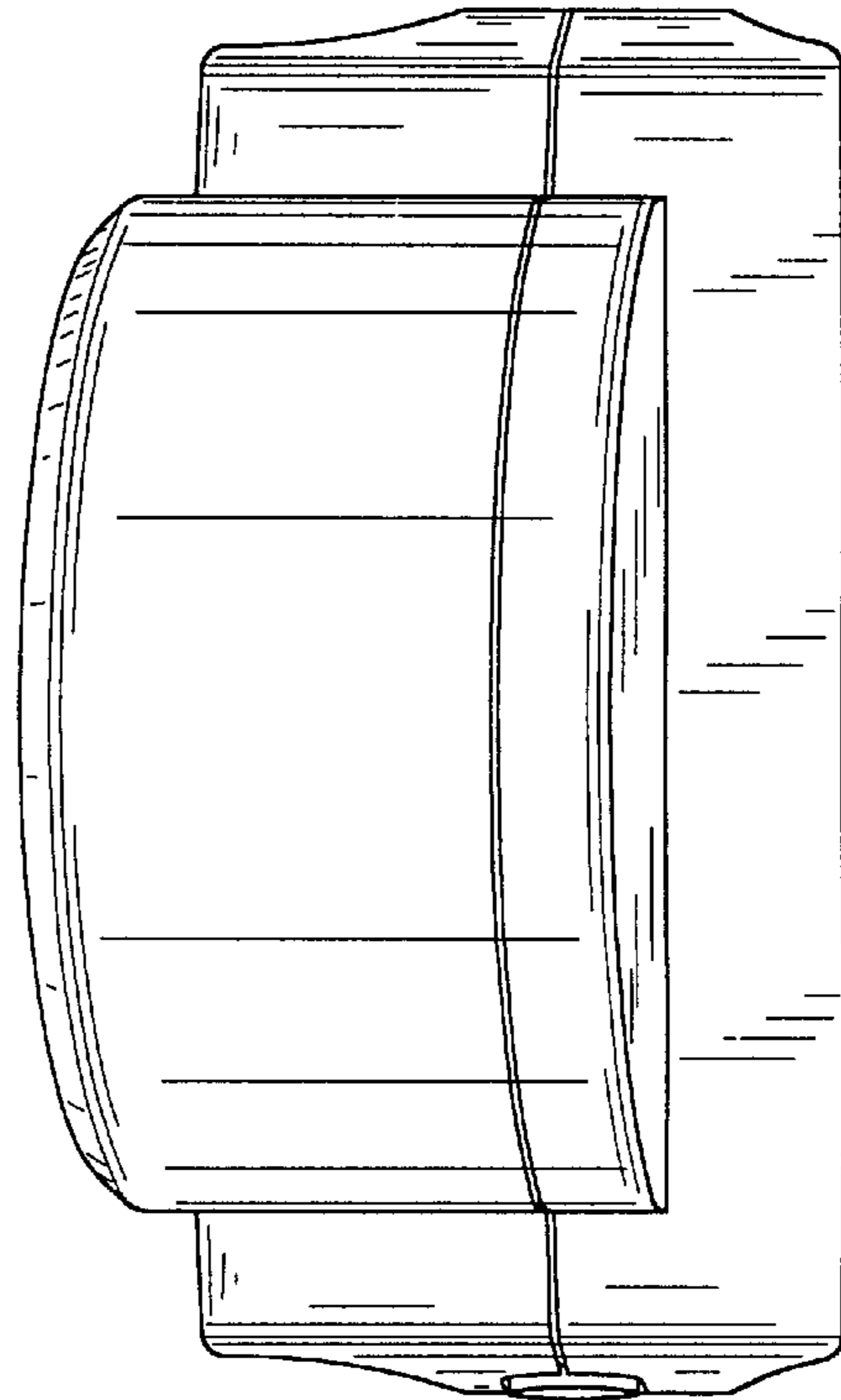


Fig.9



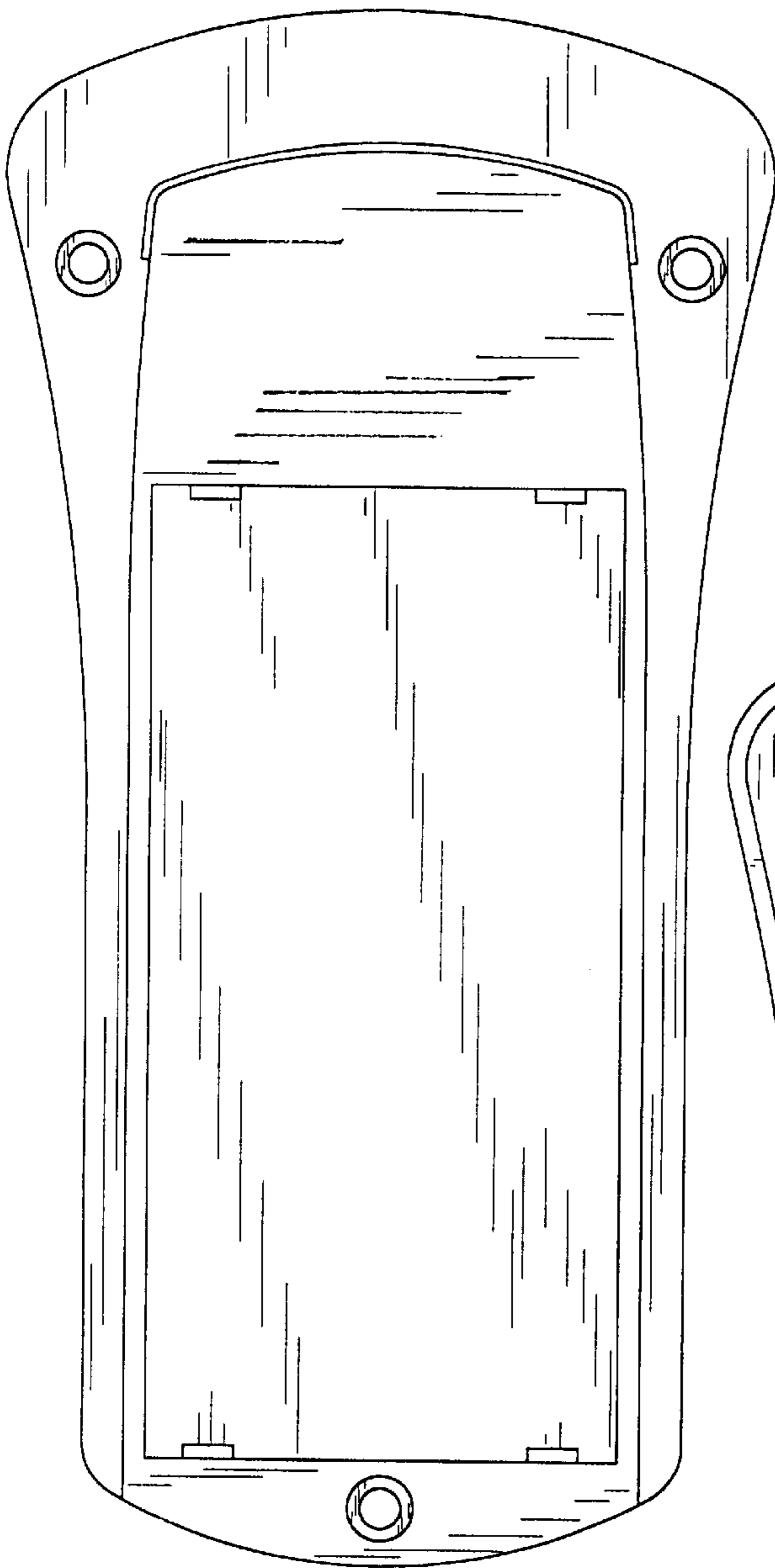


Fig.12

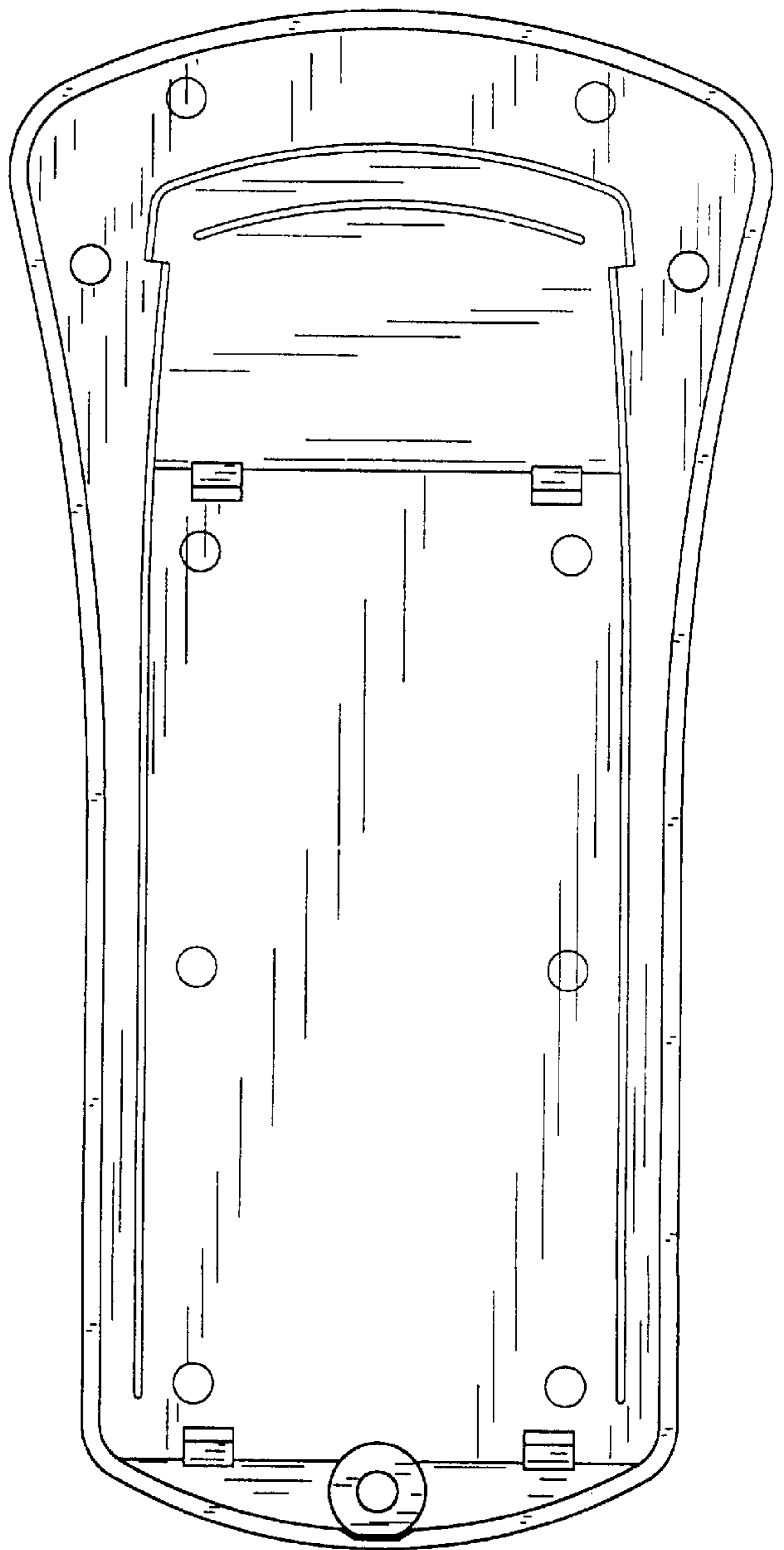


Fig.11



Fig.13

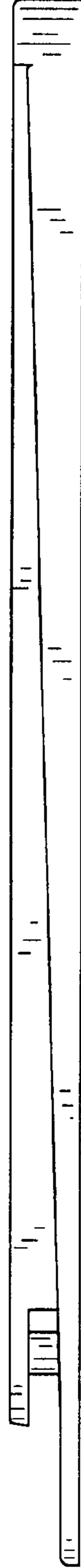


Fig.14



Fig.15

Fig.16

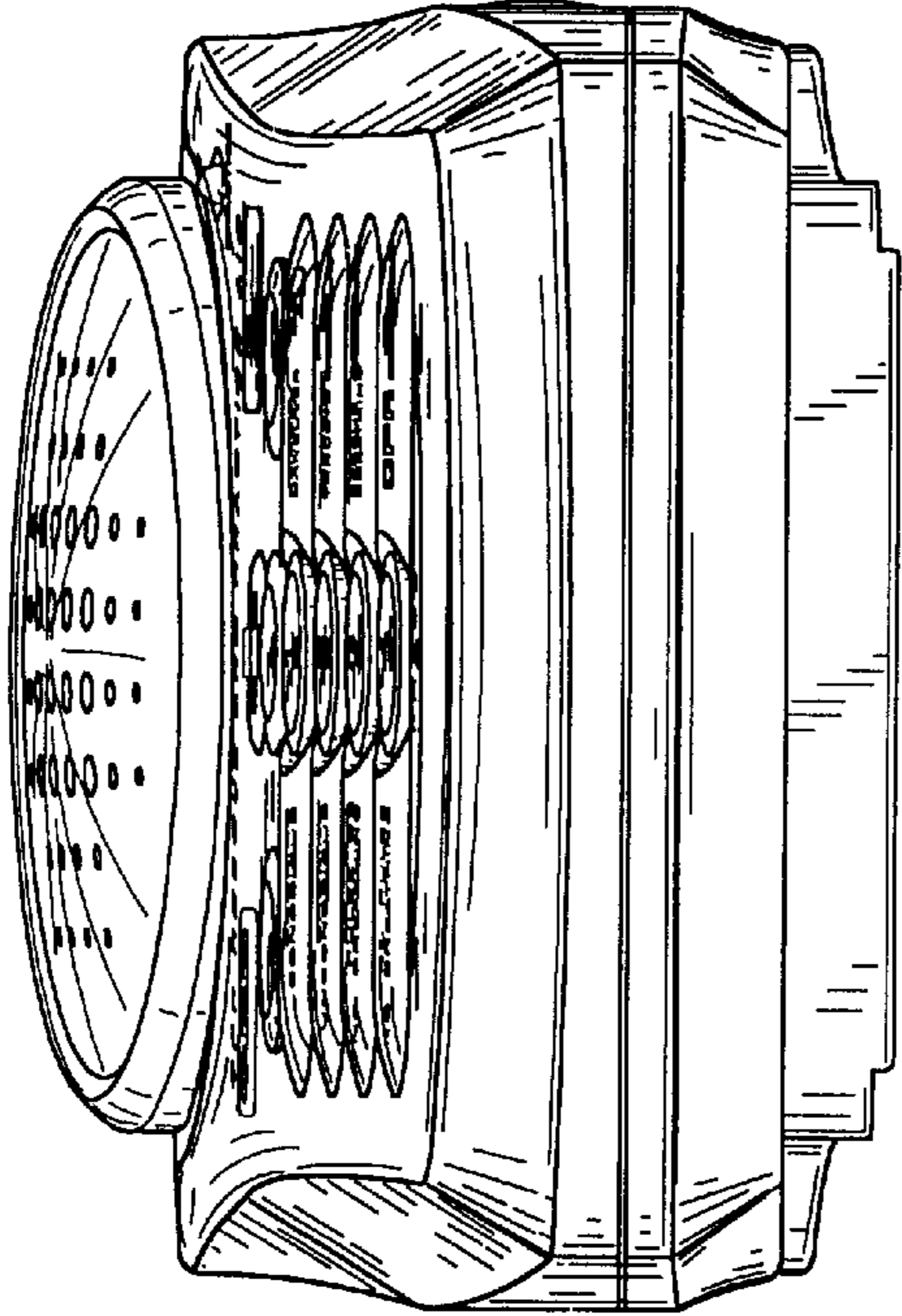


Fig.18

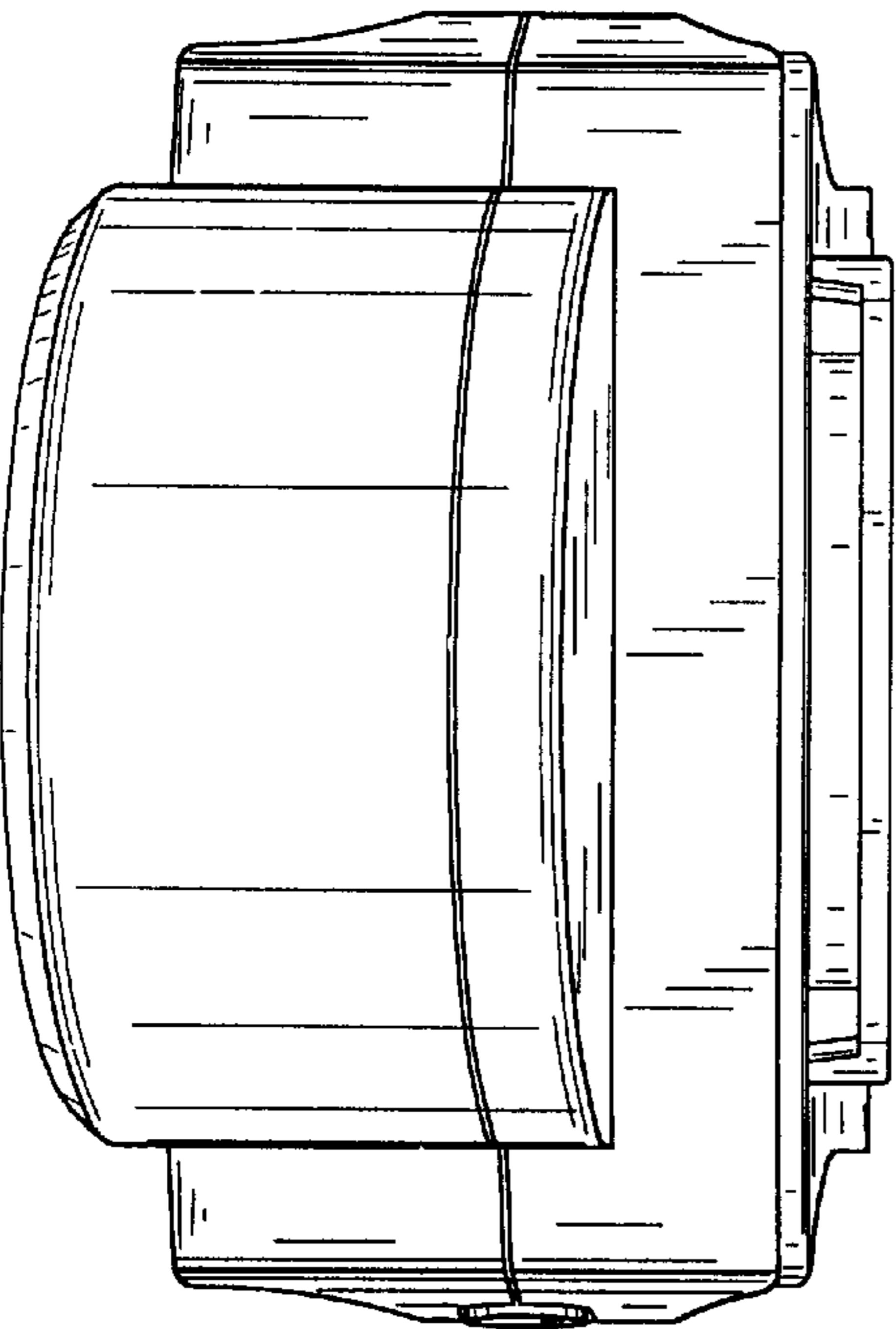


Fig.17

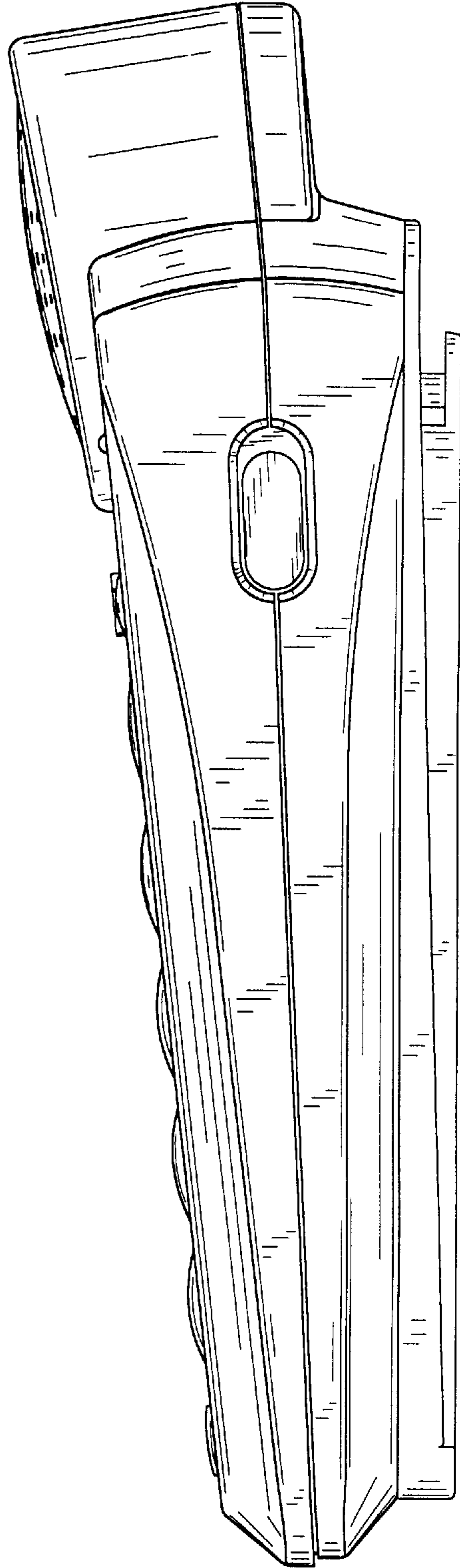


Fig.19

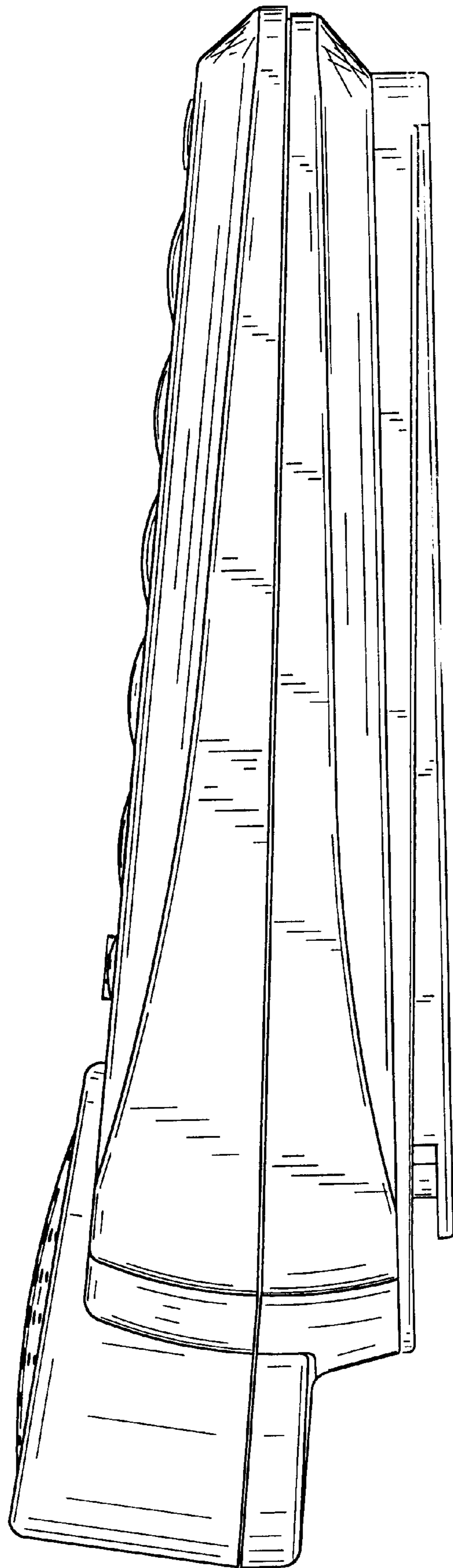


Fig.20