



US00D411617S

# United States Patent [19] Furnish

[11] **Patent Number: Des. 411,617**  
[45] **Date of Patent: \*\* Jun. 29, 1999**

[54] **RIB RETRACTOR**

5,052,373 10/1991 Michelson ..... 128/20  
5,067,477 11/1991 Santangelo ..... 128/20

[75] Inventor: **Gregory R. Furnish**, Lawrenceville, Ga.

**FOREIGN PATENT DOCUMENTS**

[73] Assignee: **Genzyme Corporation**, Framingham, Mass.

792620 9/1997 European Pat. Off. .... A61B 17/02  
473451 1/1915 France .

[\*\*] Term: **14 Years**

*Primary Examiner*—Doris Clark  
*Attorney, Agent, or Firm*—Needle & Rosenberg, P.C.

[21] Appl. No.: **29/060,262**

[57] **CLAIM**

[22] Filed: **Sep. 25, 1996**

The ornamental design for a rib retractor, as shown and described.

[51] **LOC (6) Cl.** ..... **24-02**

**DESCRIPTION**

[52] **U.S. Cl.** ..... **D24/135**

[58] **Field of Search** ..... D24/135; 600/201,  
600/219, 222, 232

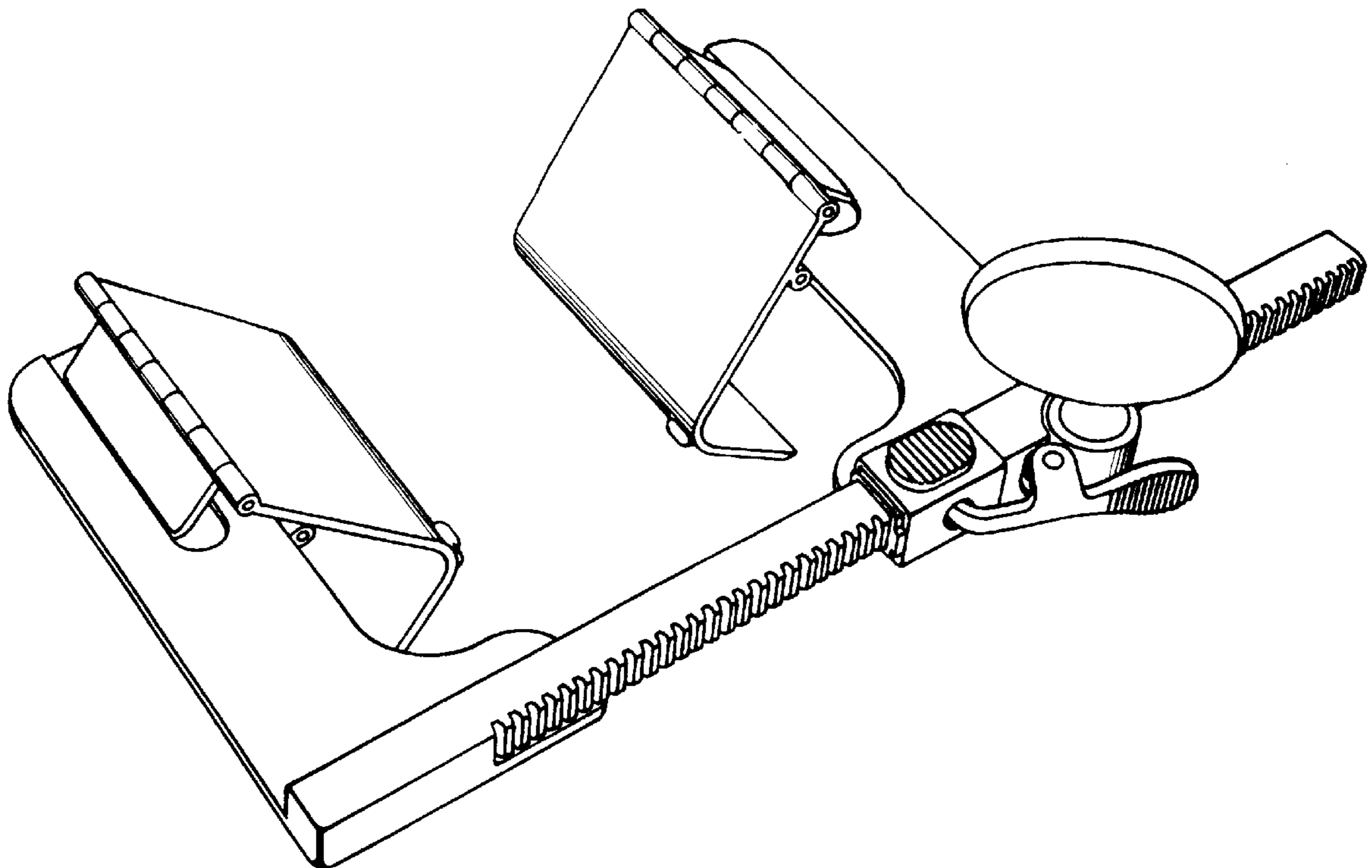
FIG. 1 is a perspective view of my rib retractor.  
FIG. 2 is a front end view thereof.  
FIG. 3 is a rear end view thereof.  
FIG. 4 is a left side view thereof.  
FIG. 5 is a top plan view thereof.  
FIG. 6 is a right side view thereof; and,  
FIG. 7 is a bottom plan view thereof.

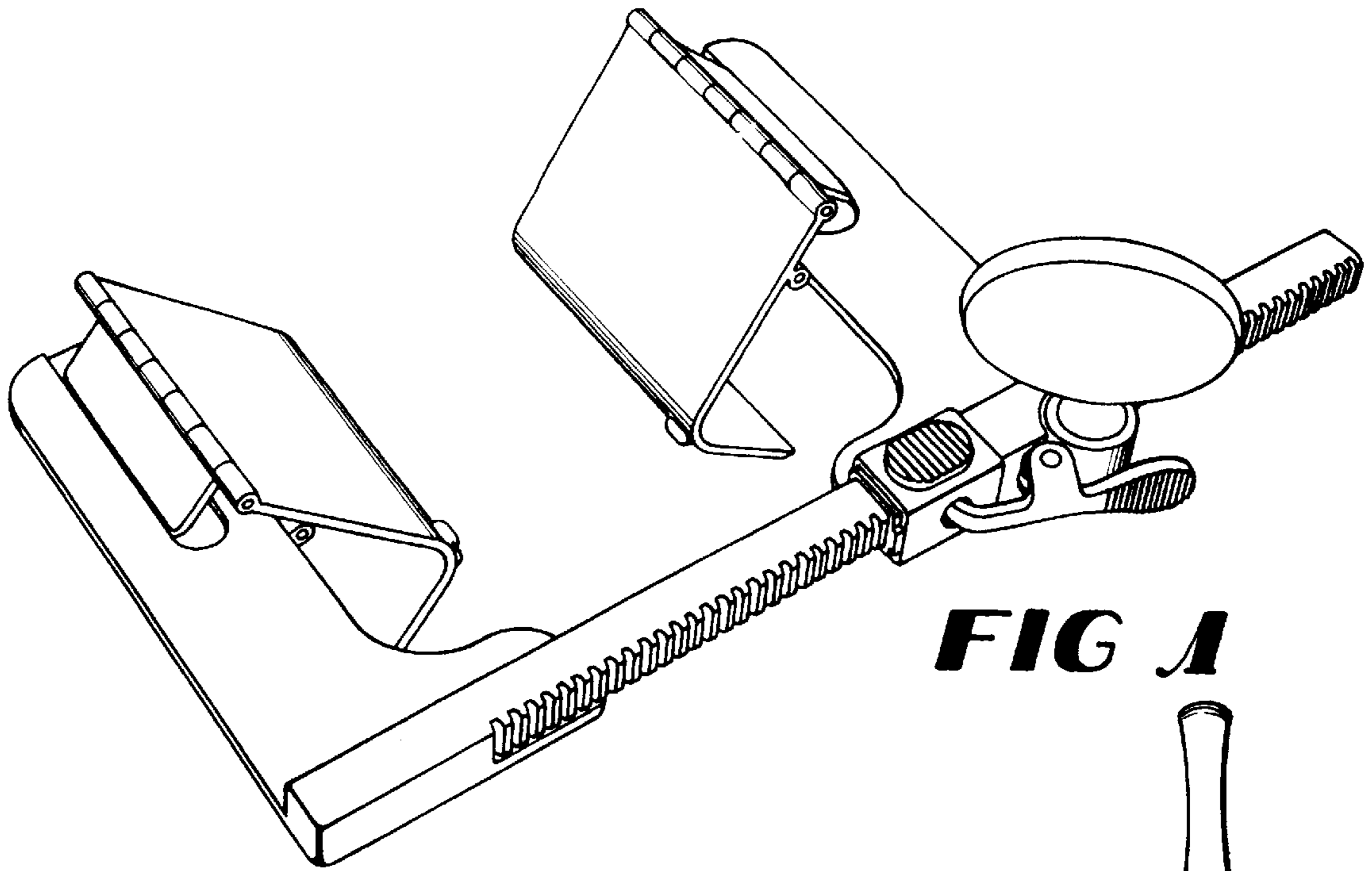
[56] **References Cited**

**U.S. PATENT DOCUMENTS**

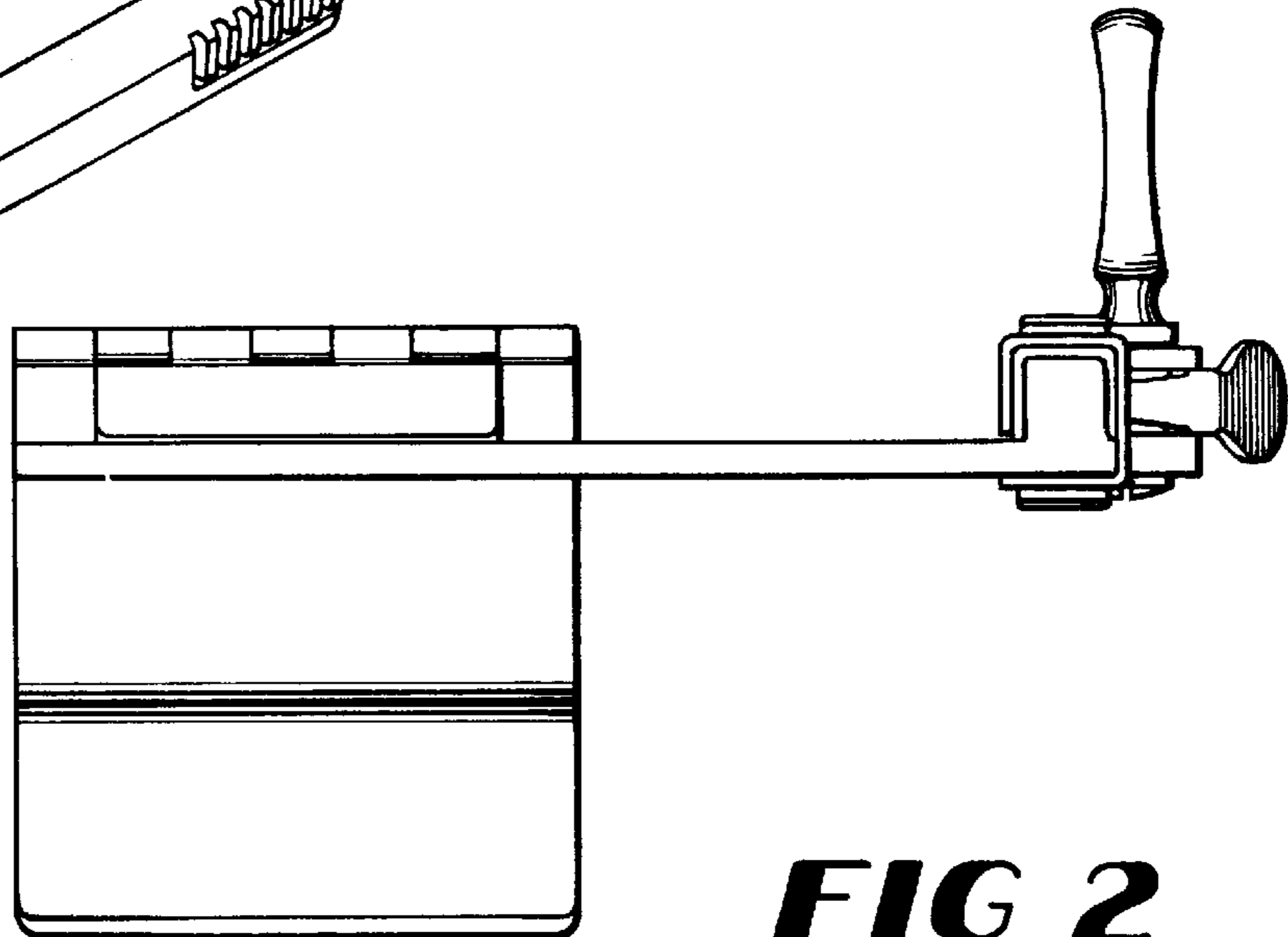
D. 361,381 8/1995 Koros et al. .... D24/135  
3,710,783 1/1973 Jascalevich ..... 600/201  
4,239,036 12/1980 Krieger ..... 128/20

**1 Claim, 3 Drawing Sheets**

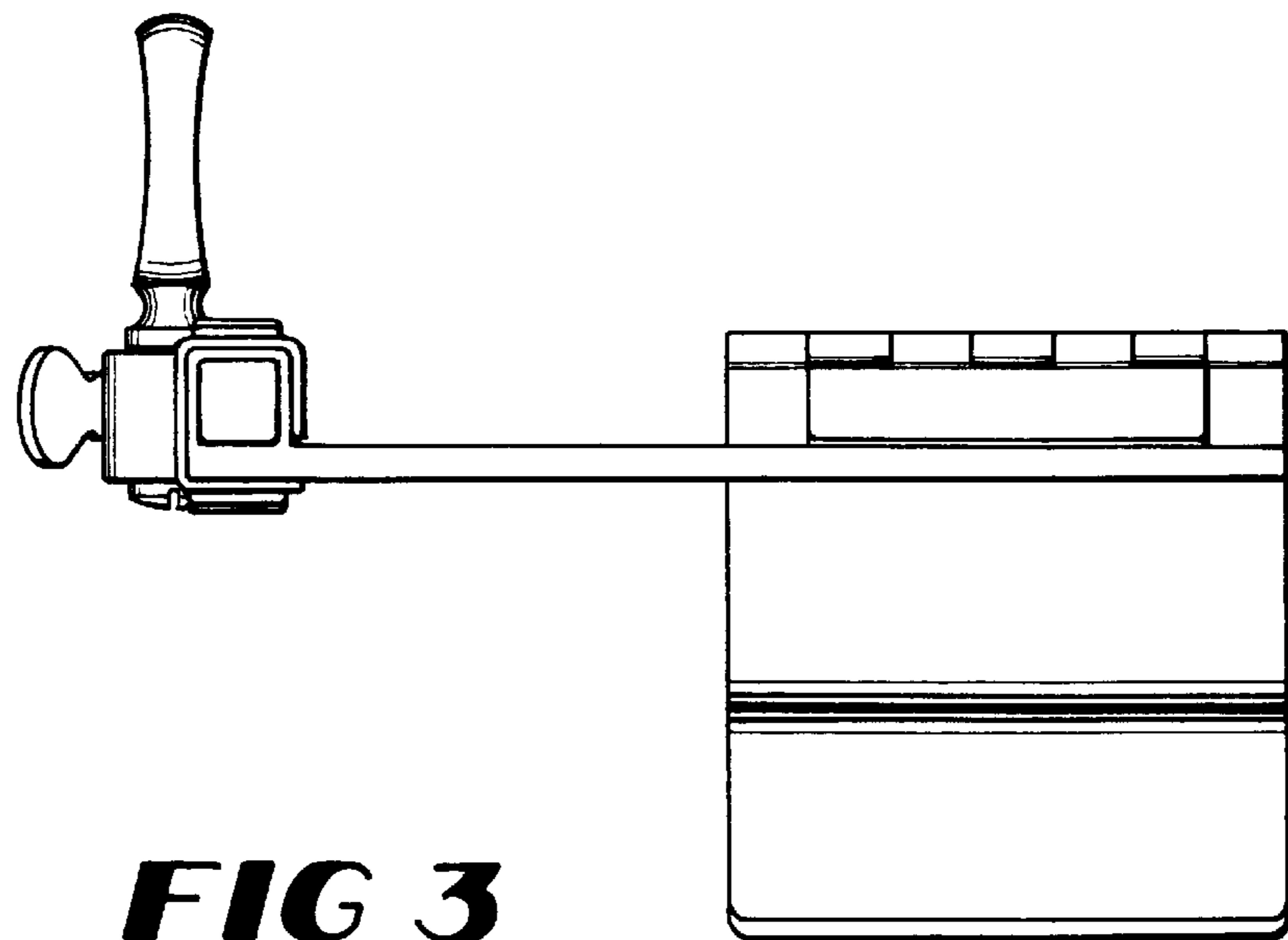




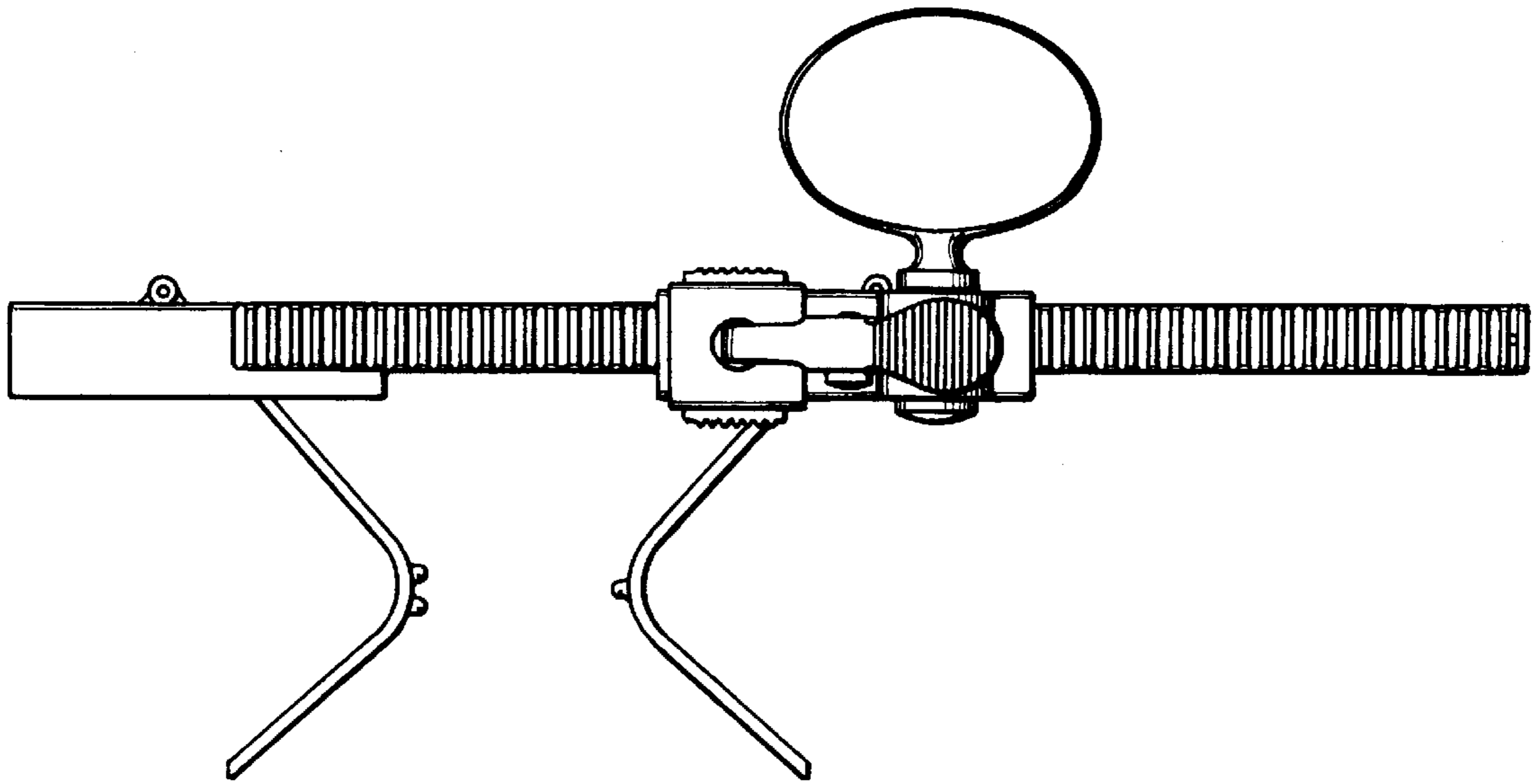
**FIG 1**



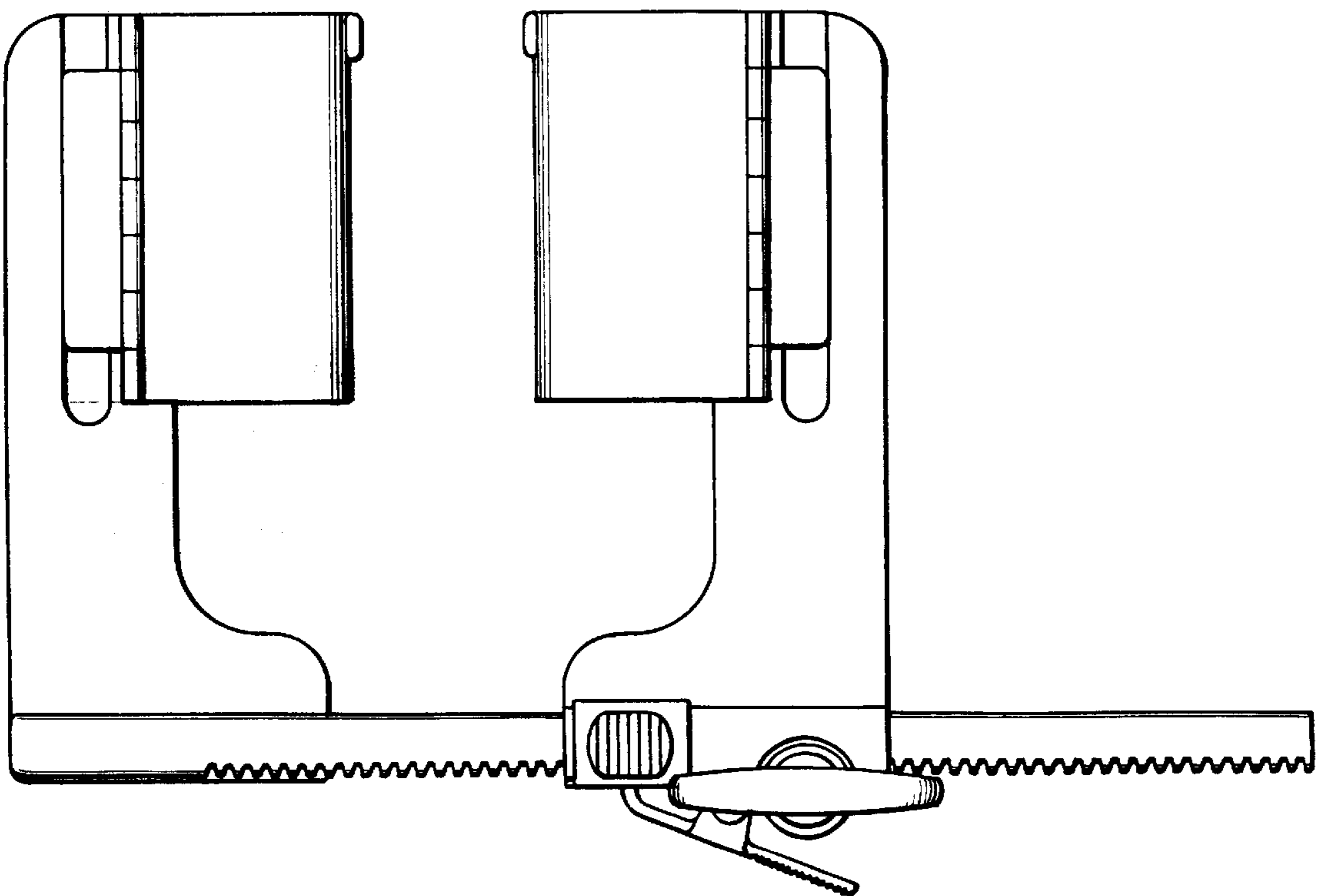
**FIG 2**



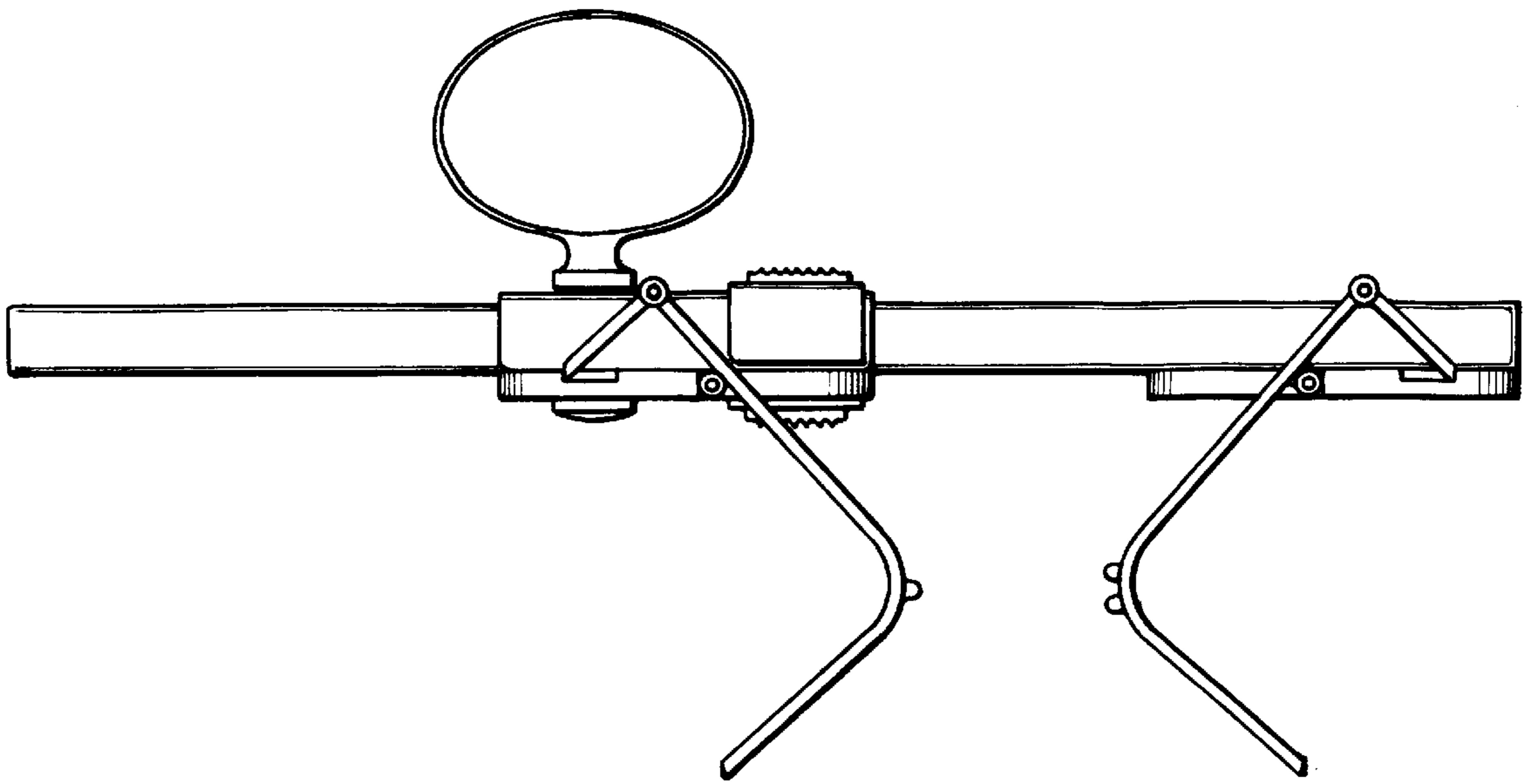
**FIG 3**



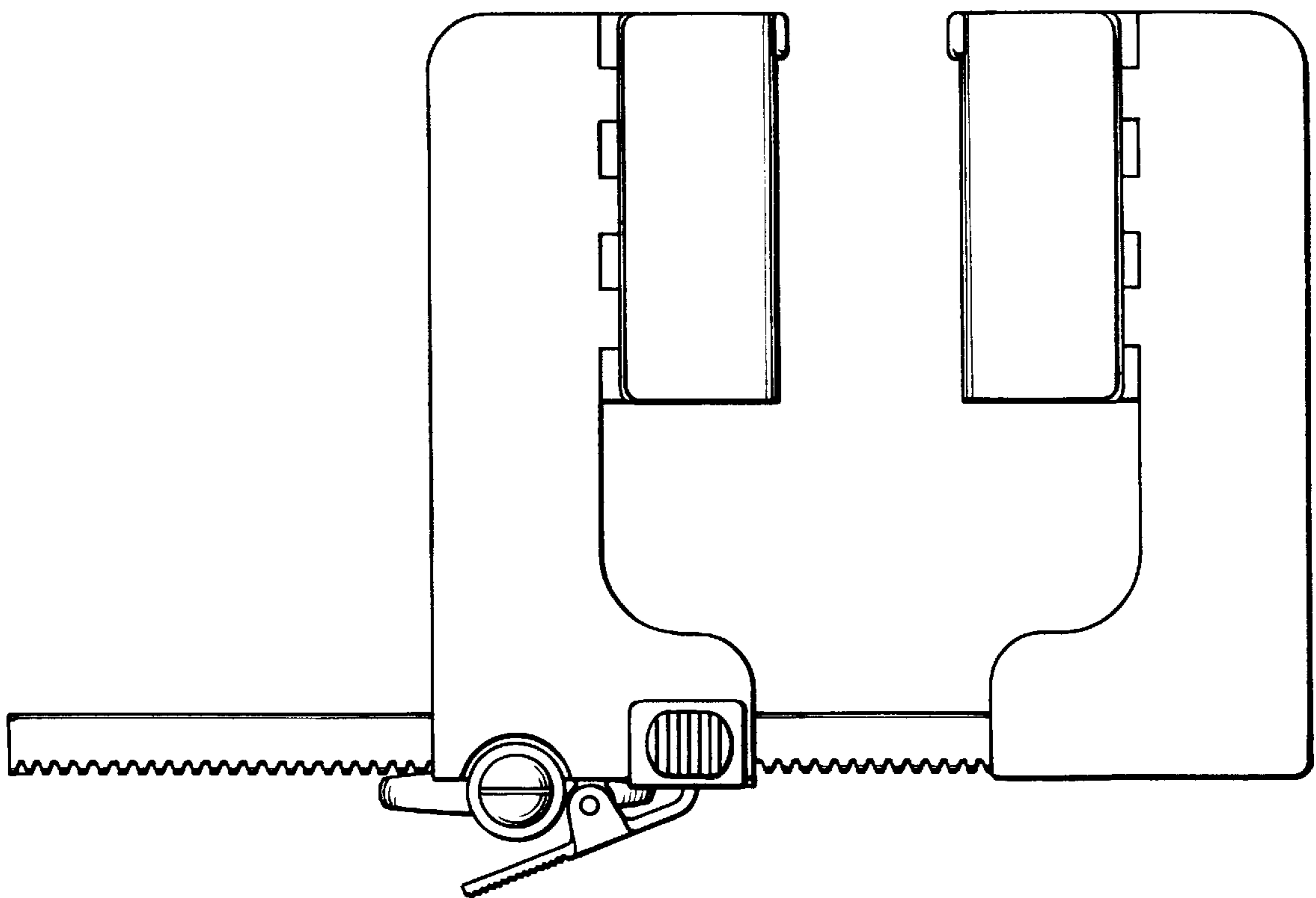
**FIG 4**



**FIG 5**



**FIG 6**



**FIG 7**