



US00D411616S

# United States Patent [19]

[11] Patent Number: **Des. 411,616**

**Retallick, III**

[45] Date of Patent: **\*\* Jun. 29, 1999**

[54] **HUMIDIFIER-NEBULIZER FOR THE TREATMENT OF THE TRACHEA AND LUNGS**

4,823,784 4/1989 Bordoni et al. .... D24/110 X  
5,570,682 11/1996 Johnson ..... 128/200.14

[76] Inventor: **Donald L. Retallick, III**, P.O. Box 8207, Naples, Fla. 34101

*Primary Examiner*—Stella Reid  
*Assistant Examiner*—I Simmons  
*Attorney, Agent, or Firm*—Merrill N. Johnson

[\*\*] Term: **14 Years**

[57] **CLAIM**

[21] Appl. No.: **29/083,790**

The ornamental design for a humidifier-nebulizer for the treatment of the trachea and lungs, as shown and described.

[22] Filed: **Feb. 5, 1998**

**DESCRIPTION**

[51] **LOC (6) Cl.** ..... **29-02**

FIG. 1 is an upper right perspective view of a humidifier-nebulizer for the treatment of the trachea and lungs showing my new design.

[52] **U.S. Cl.** ..... **D24/110**

FIG. 2 is a left side elevational view thereof;

[58] **Field of Search** ..... D24/110.6, 110;  
128/200.14, 200.18, 200.21

FIG. 3 is a front elevational view thereof;

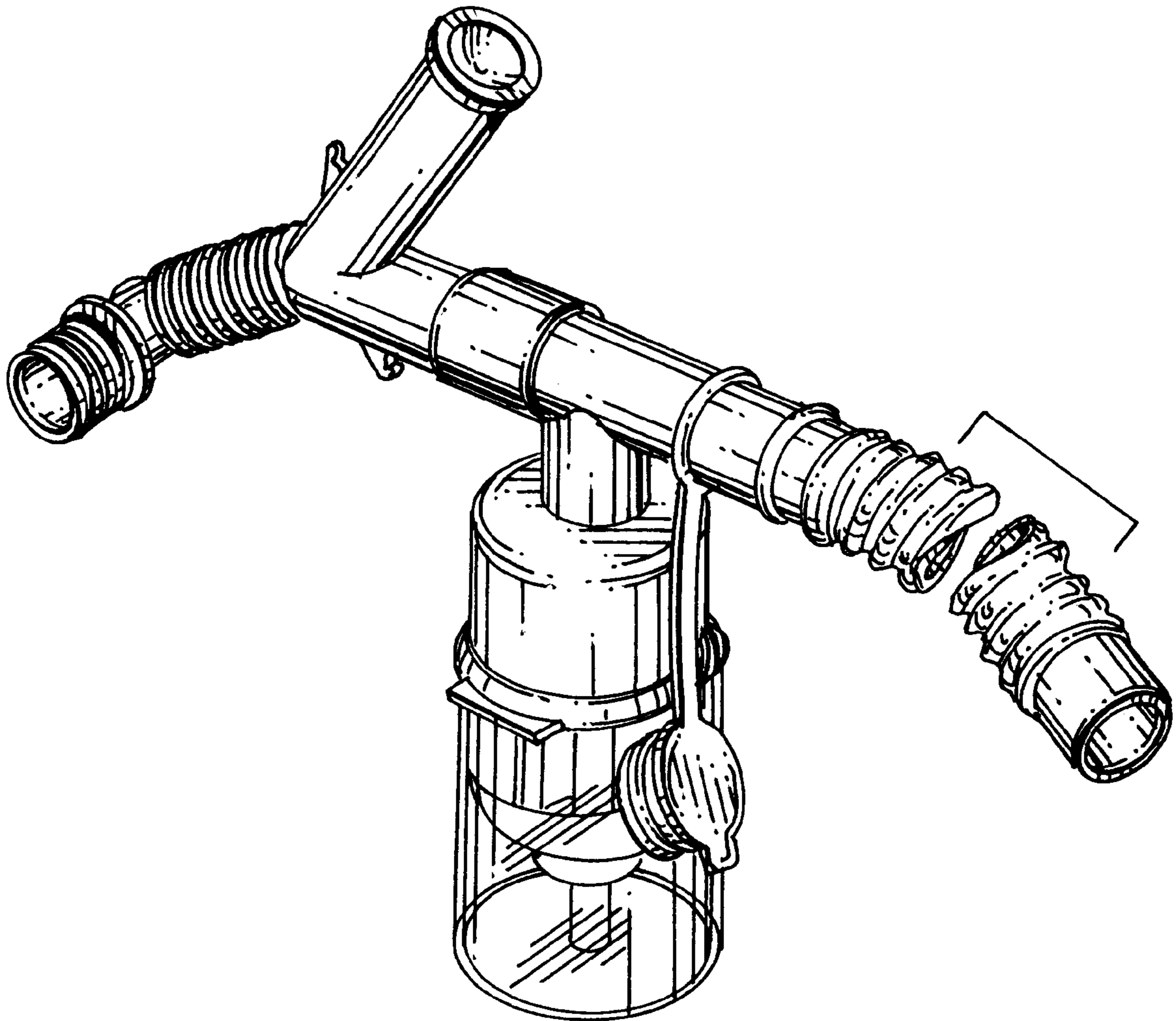
[56] **References Cited**

**U.S. PATENT DOCUMENTS**

D. 331,281 11/1992 Levine ..... D24/110  
4,462,397 7/1984 Suzuki ..... 128/200.18 X

FIG. 4 is a rear elevational view thereof;  
FIG. 5 is a top plan view thereof; and,  
FIG. 6 is a bottom plan view thereof.

**1 Claim, 2 Drawing Sheets**



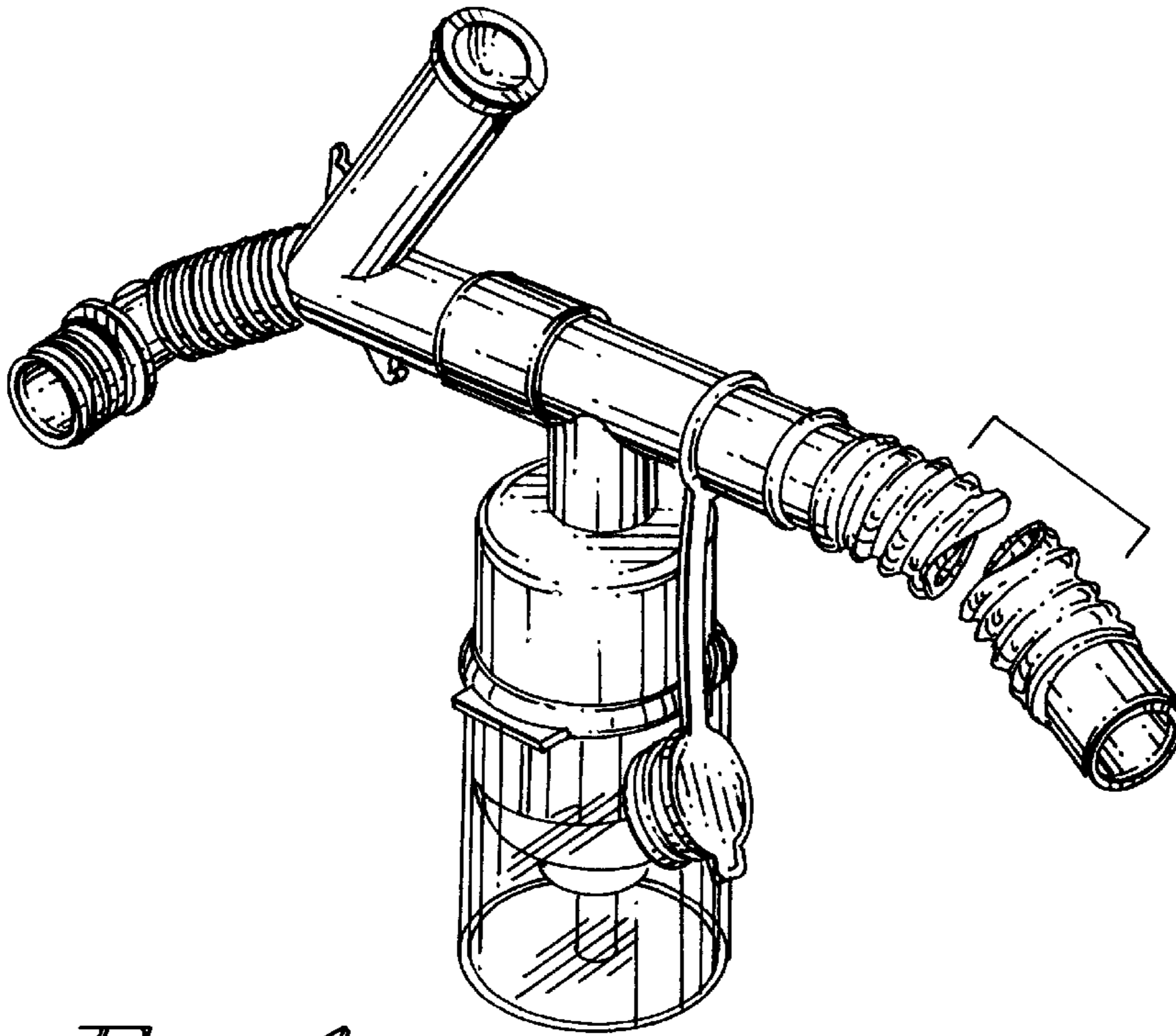


FIG. 1

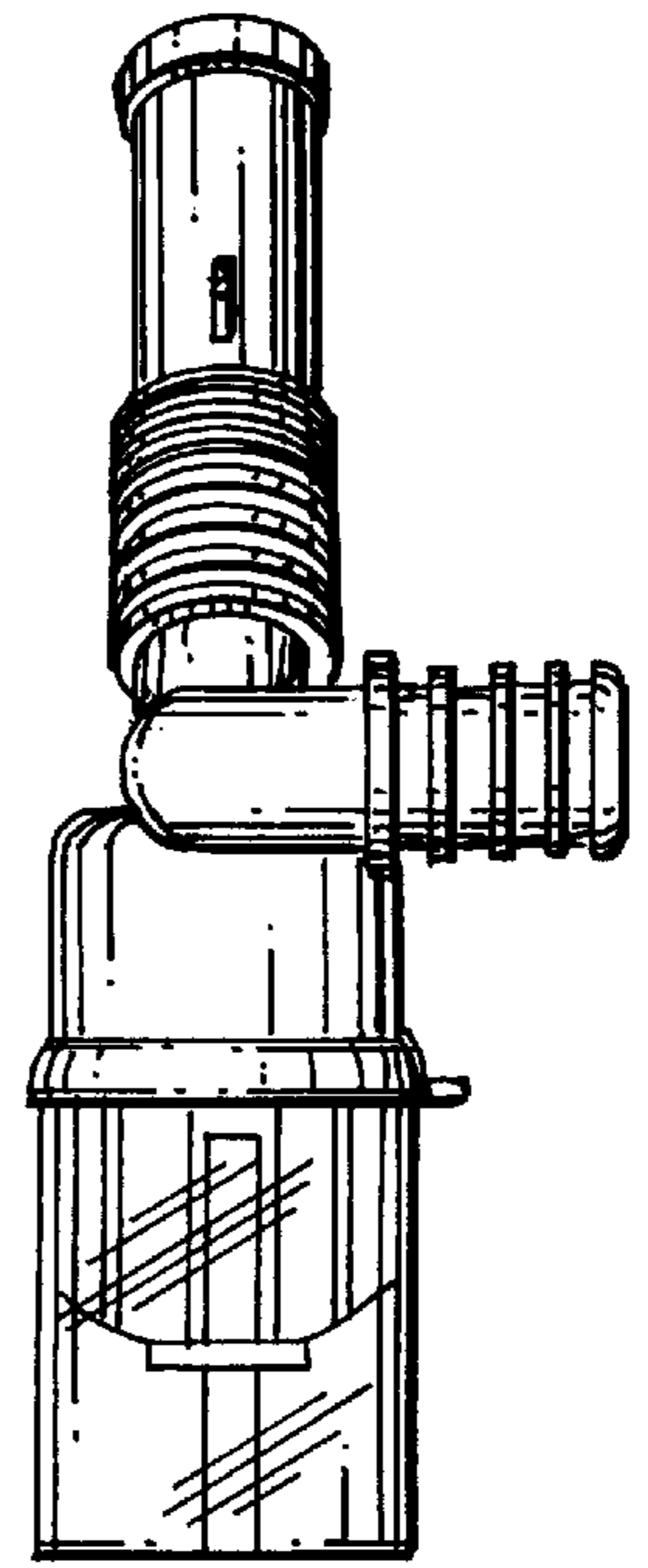


FIG. 4

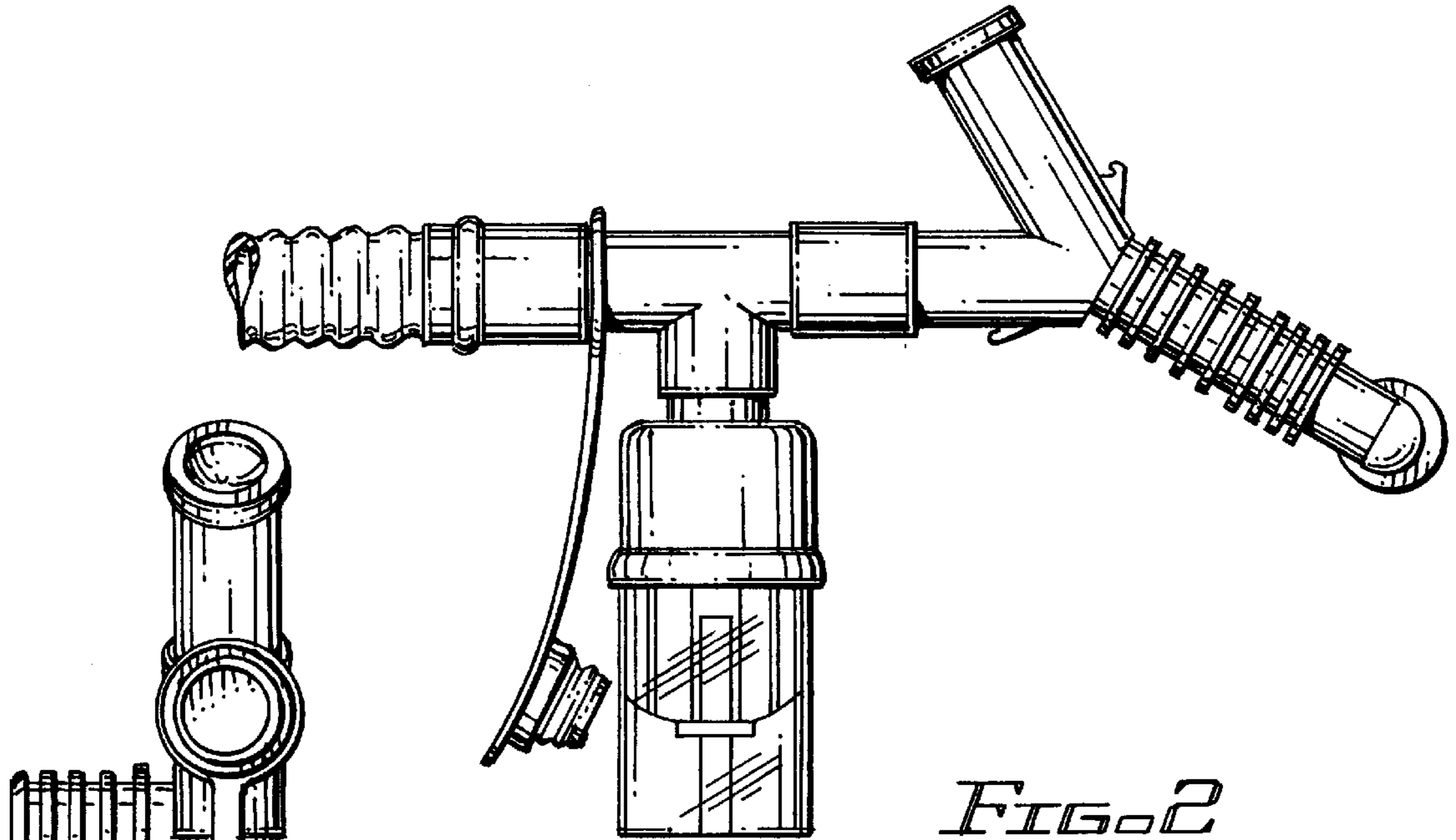


FIG. 2

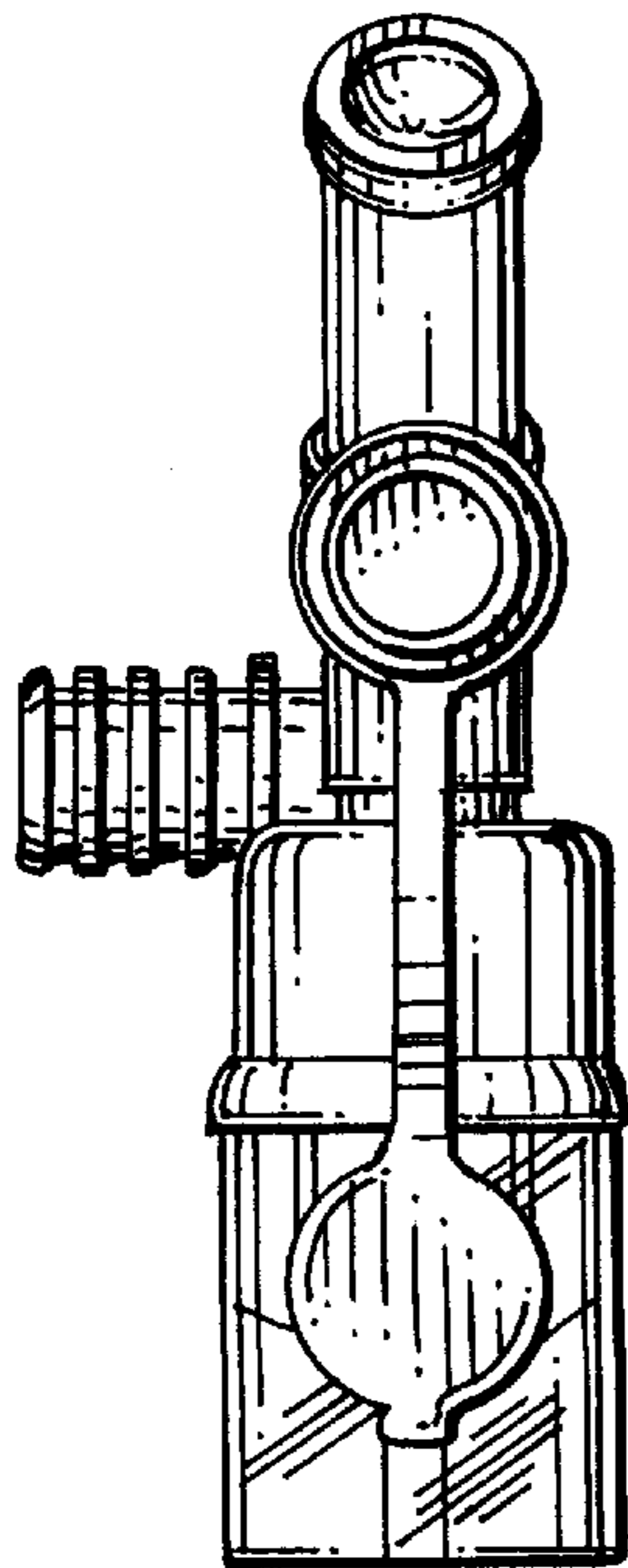
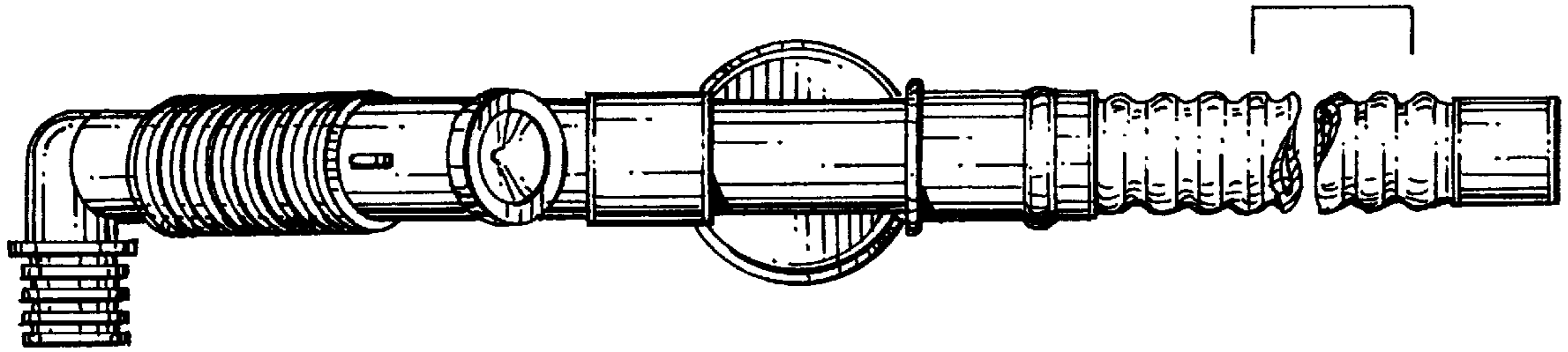
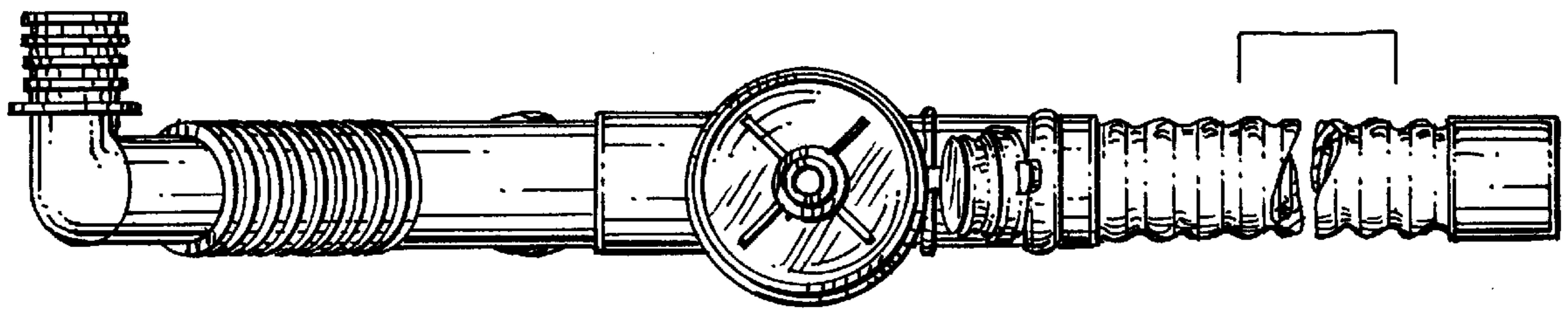


FIG. 3



*FIG. 5*



*FIG. 6*