



US00D411615S

**United States Patent** [19]  
**Lo**

[11] **Patent Number: Des. 411,615**

[45] **Date of Patent: \*\* Jun. 29, 1999**

[54] **CEILING FAN**

5,836,740 11/1998 Wang ..... 416/5

[76] Inventor: **Simon Lo**, P.O. Box 63-99, Taichung,  
Taiwan, 406

*Primary Examiner*—Lisa Lichtenstein

[\*\*] Term: **14 Years**

[57] **CLAIM**

The ornamental design for a ceiling fan, as shown.

[21] Appl. No.: **29/096,162**

**DESCRIPTION**

[22] Filed: **Nov. 6, 1998**

FIG. 1 is a perspective view of a ceiling fan showing my new design;

[51] **LOC (6) Cl.** ..... **23-04**

FIG. 2 is a front elevational view thereof;

[52] **U.S. Cl.** ..... **D23/377; D23/379**

FIG. 3 is a rear elevational view thereof;

[58] **Field of Search** ..... **D23/377, 379,**

FIG. 4 is a top plan view thereof;

**D23/385, 411, 413; 416/5; D26/59**

FIG. 5 is a bottom plan view thereof;

FIG. 6 is a left side elevational view thereof; and,

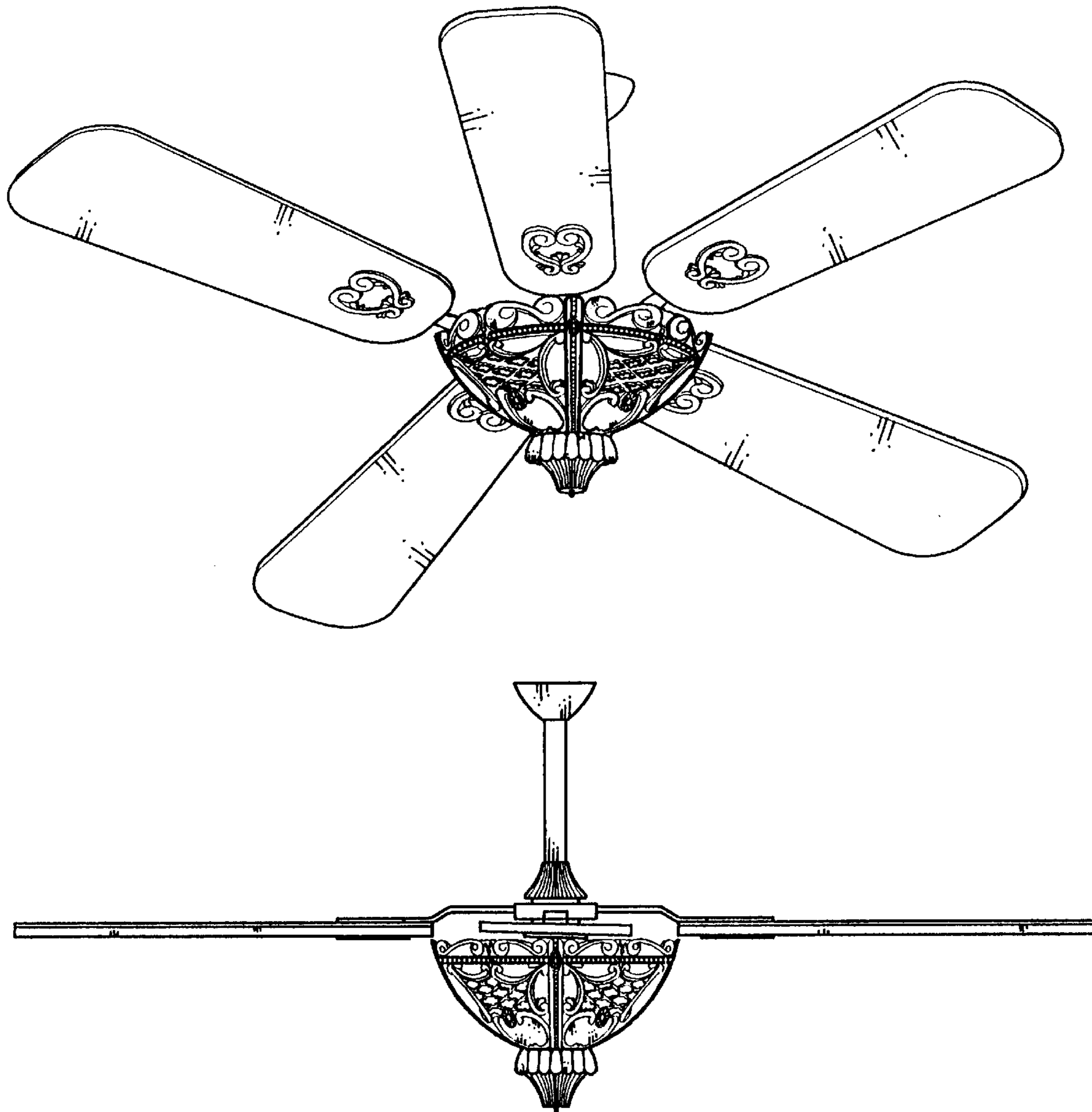
FIG. 7 is a right side elevational view thereof.

[56] **References Cited**

**U.S. PATENT DOCUMENTS**

D. 399,948 10/1998 Tsuji ..... D23/377

**1 Claim, 7 Drawing Sheets**



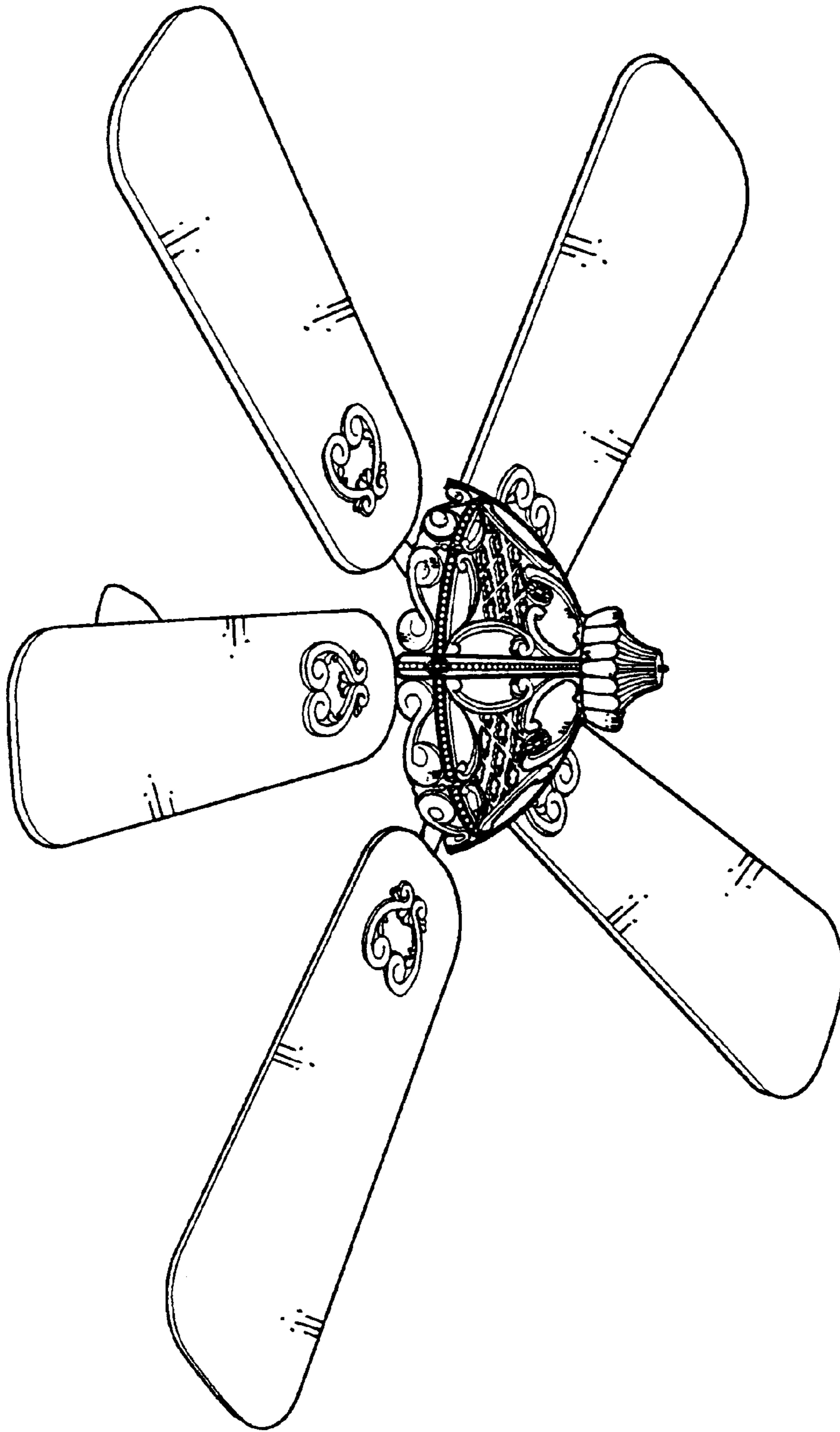


FIG. 1

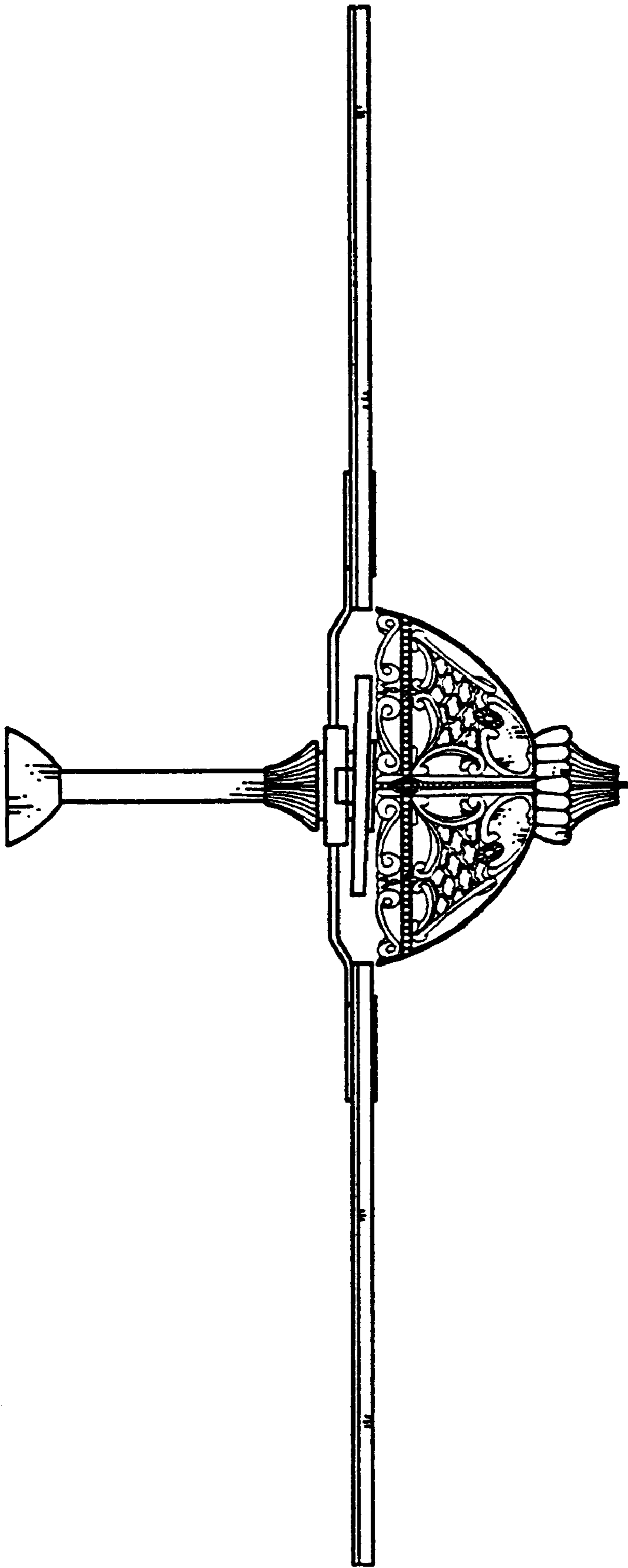


FIG. 2

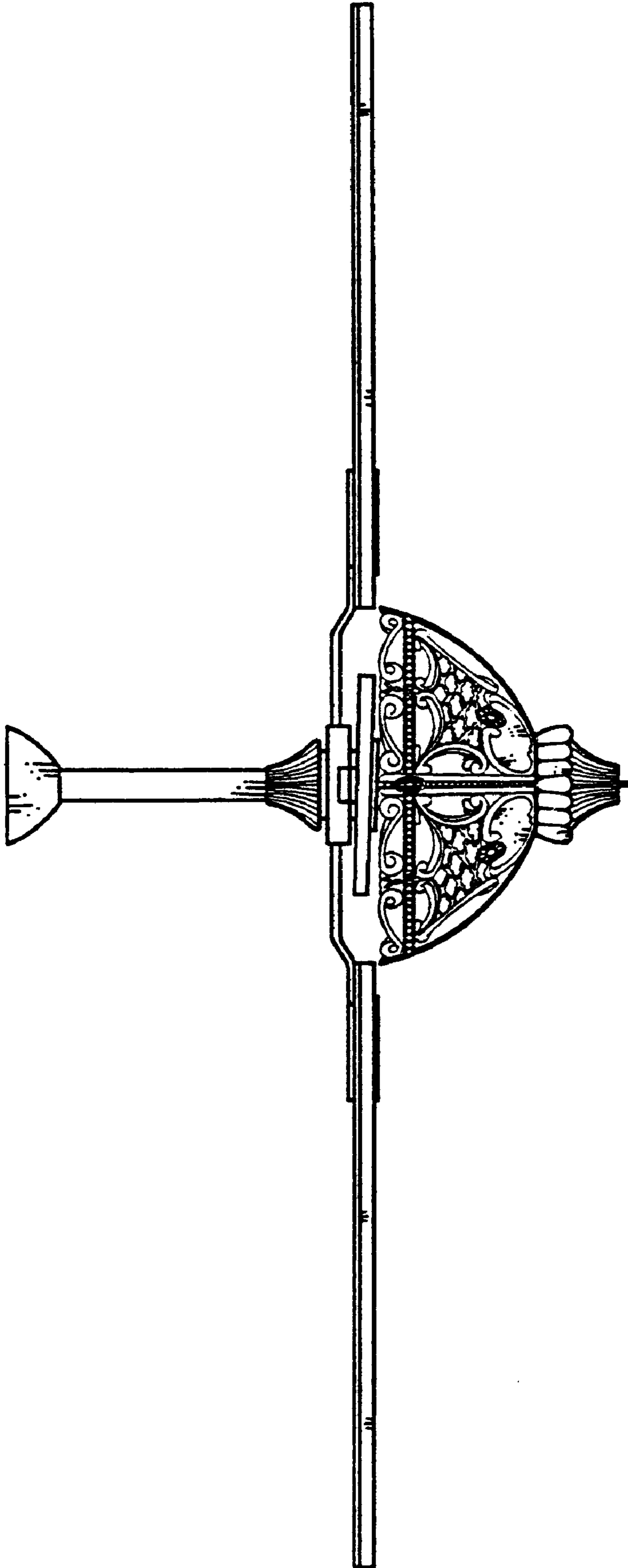


FIG. 3

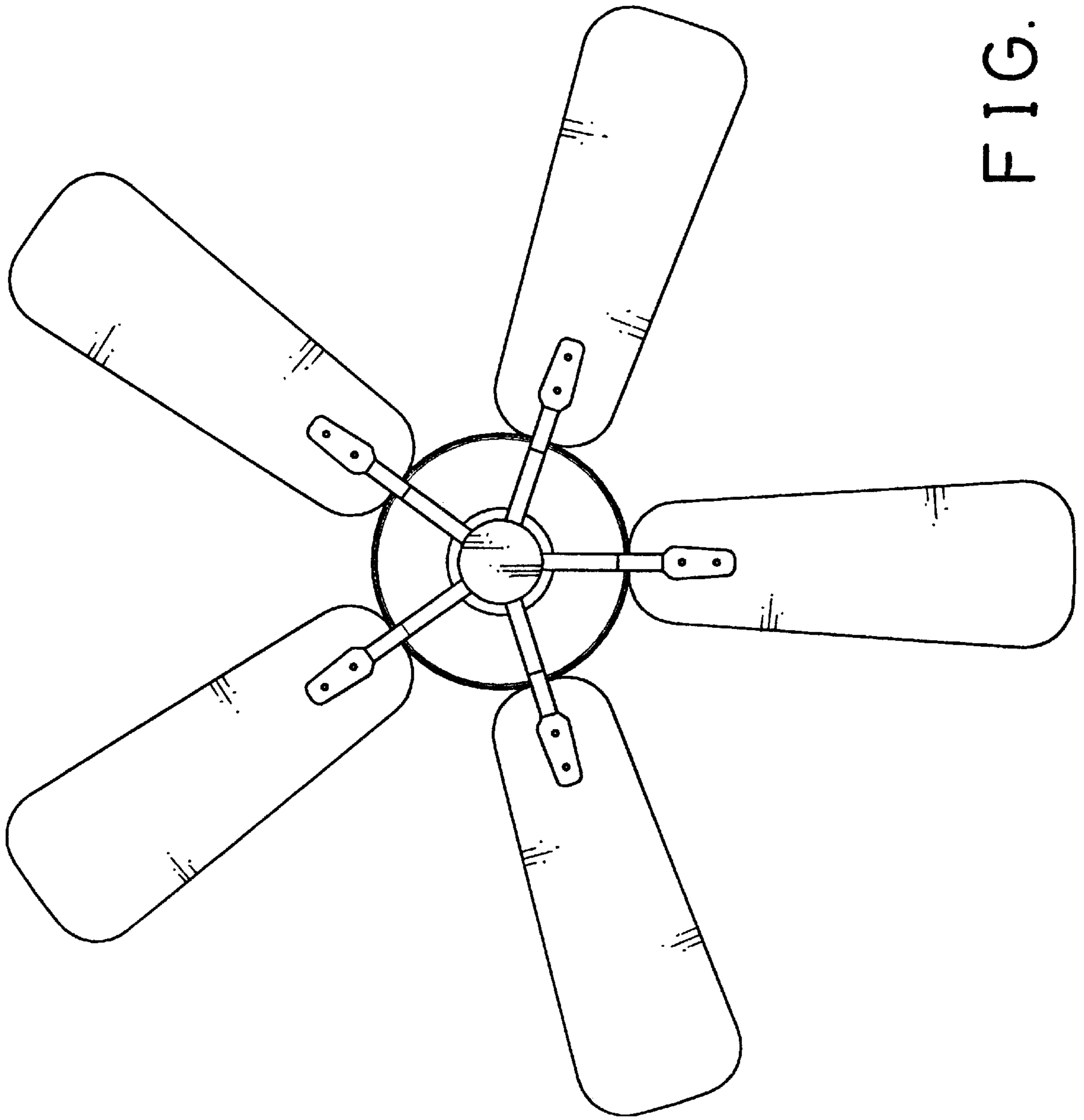


FIG. 4

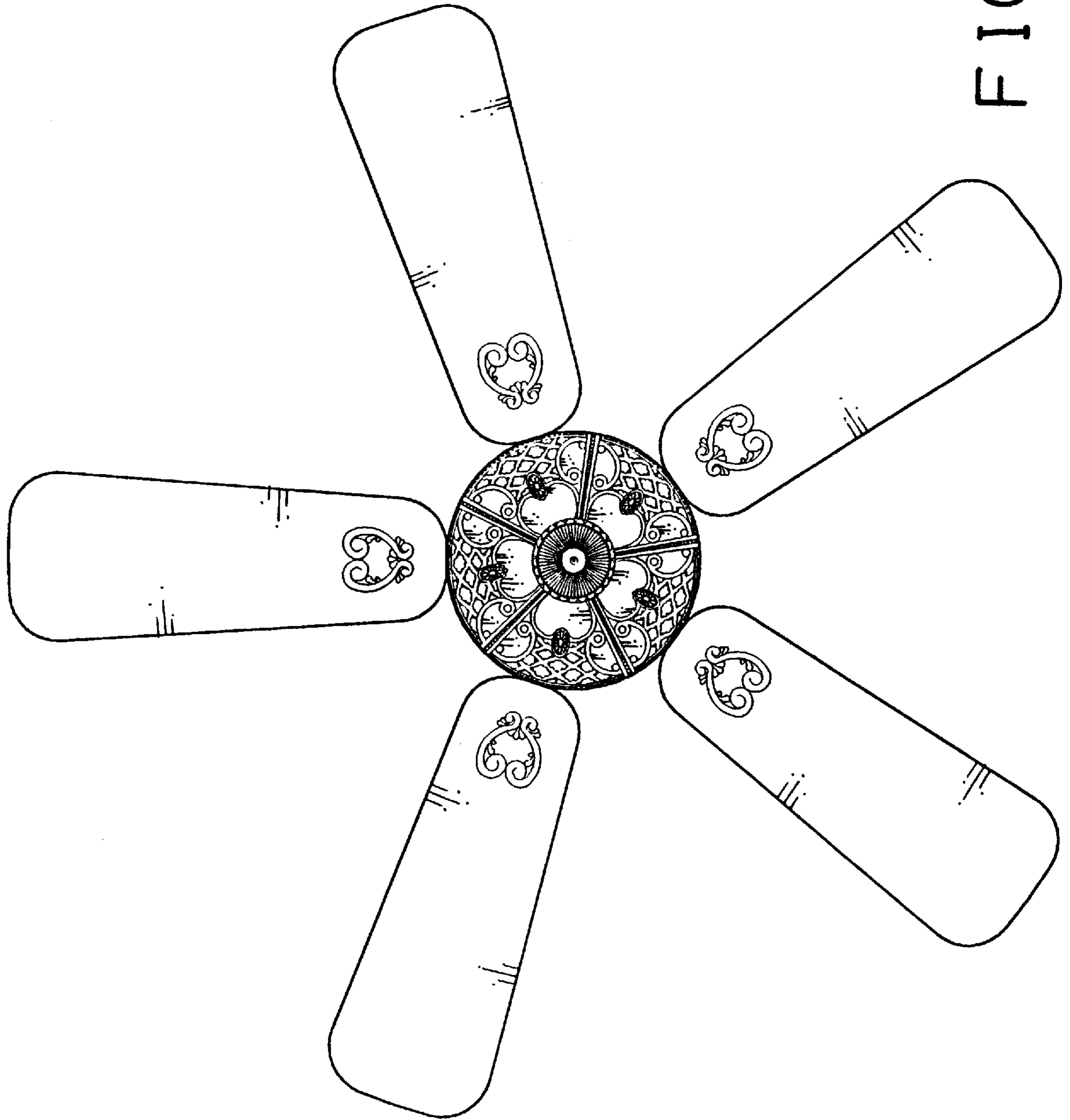


FIG. 5

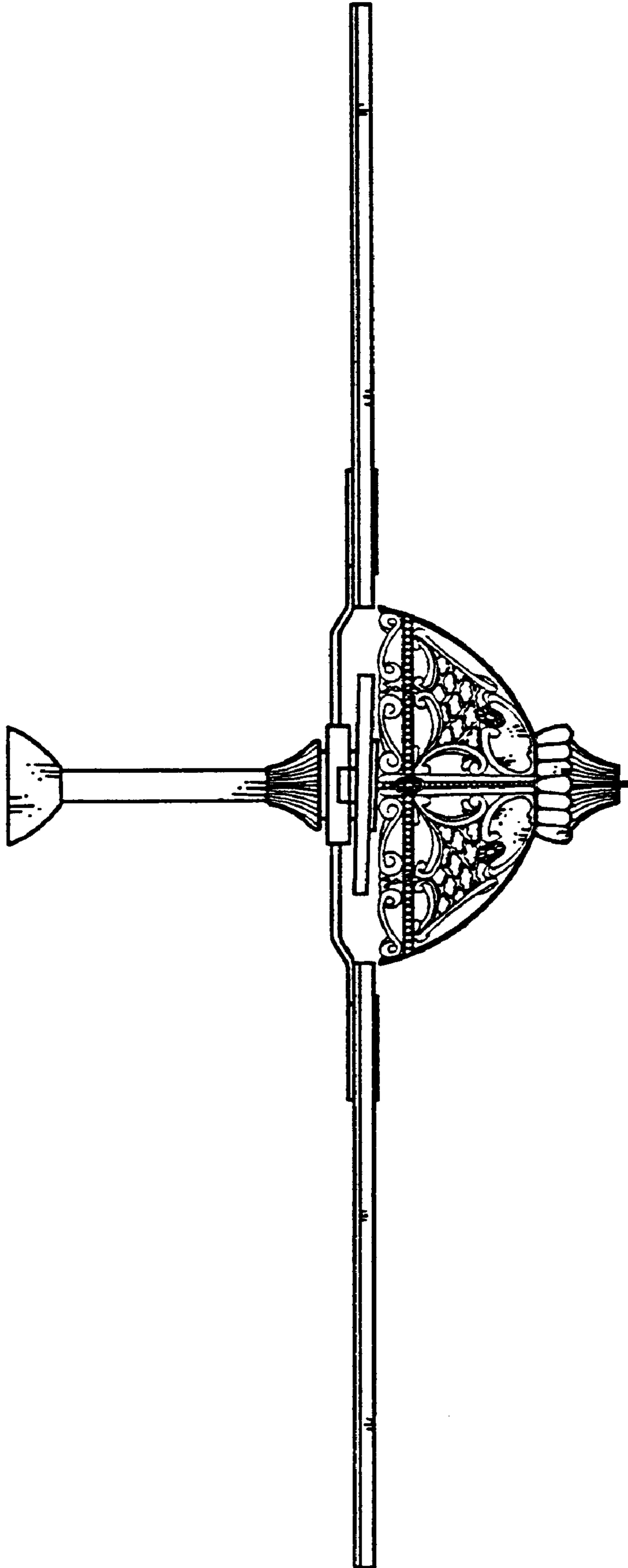


FIG. 6

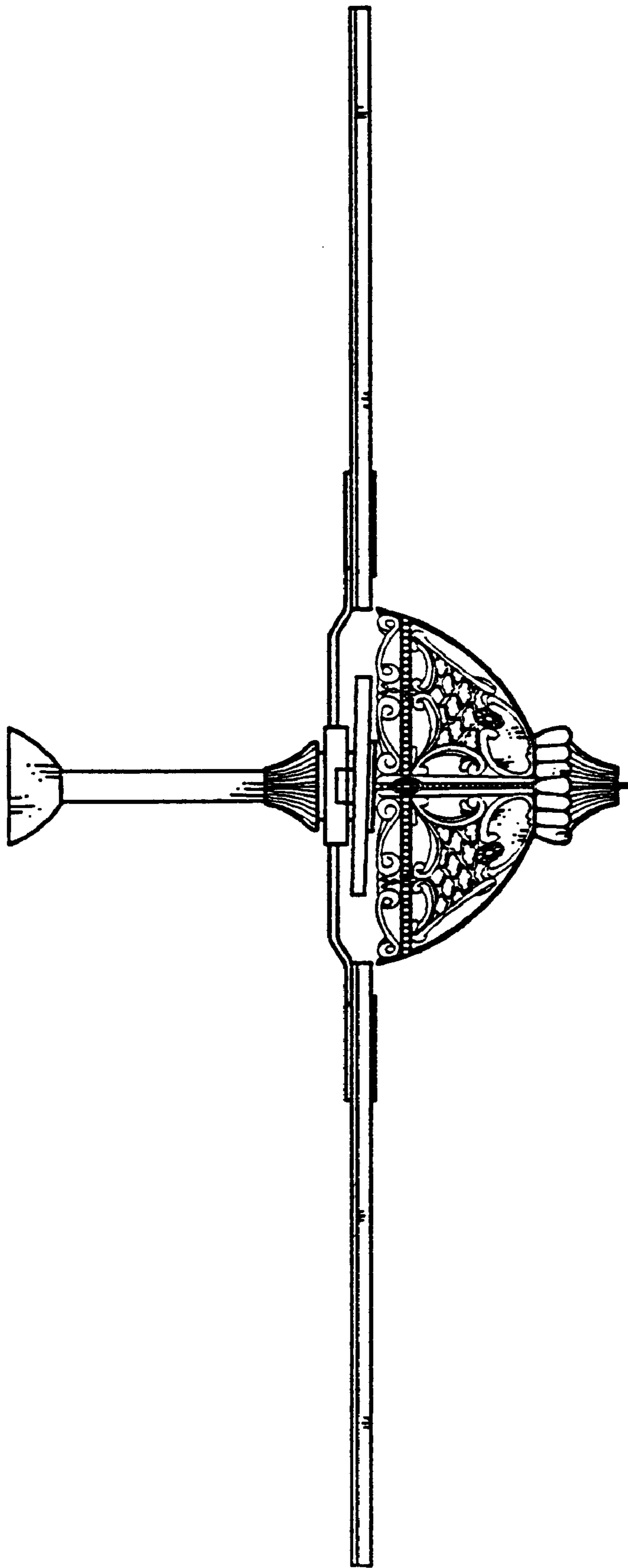


FIG. 7