



US00D411612S

United States Patent [19] Davis

[11] **Patent Number: Des. 411,612**
[45] **Date of Patent: ** Jun. 29, 1999**

[54] **SEALING UNIT**

[76] Inventor: **Doris Lynn Davis**, 14826 Yarberry,
Houston, Tex. 77039

[**] Term: **14 Years**

[21] Appl. No.: **29/070,330**

[22] Filed: **May 5, 1997**

[51] **LOC (6) Cl.** **23-01**

[52] **U.S. Cl.** **D23/269**

[58] **Field of Search** D23/260-265,
D23/269; 285/95, 97, 99, 104, 105, 108,
156

[56] **References Cited**

U.S. PATENT DOCUMENTS

D. 192,907	5/1962	Chaney	D23/269
D. 256,499	8/1980	Foremann	D23/269
D. 322,660	12/1991	Moss	D23/269
D. 363,771	10/1995	Mathers	D23/269

Primary Examiner—Marcus A. Jackson
Attorney, Agent, or Firm—Townsend and Townsend and Crew

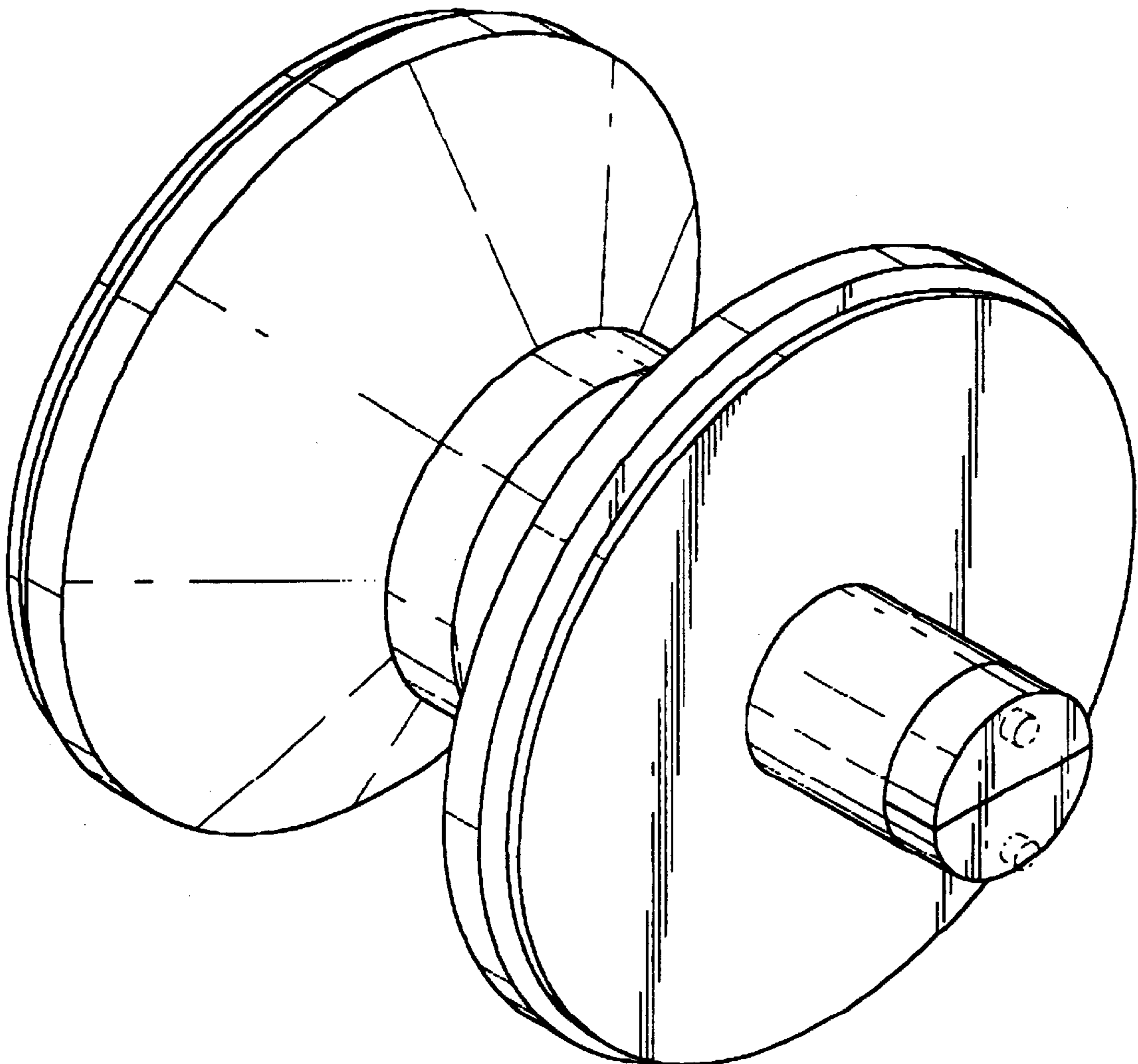
[57] **CLAIM**

The ornamental design for a sealing unit, as shown and described.

DESCRIPTION

FIG. 1 is a perspective view of the sealing unit, with the broken line showing for illustrative purposes only and forming no part of the claimed design;
FIG. 2 is another perspective view of the sealing unit;
FIG. 3 is an end elevational view of the sealing unit;
FIG. 4 is an end elevational view of the sealing unit, opposite to the end elevational view in FIG. 3;
FIG. 5 is a side elevational view of the sealing unit;
FIG. 6 is a top plan view of the sealing unit;
FIG. 7 is a bottom plan view of the sealing unit; and,
FIG. 8 is a side elevational view of the sealing unit, opposite to the side elevational view in FIG. 5.

1 Claim, 5 Drawing Sheets



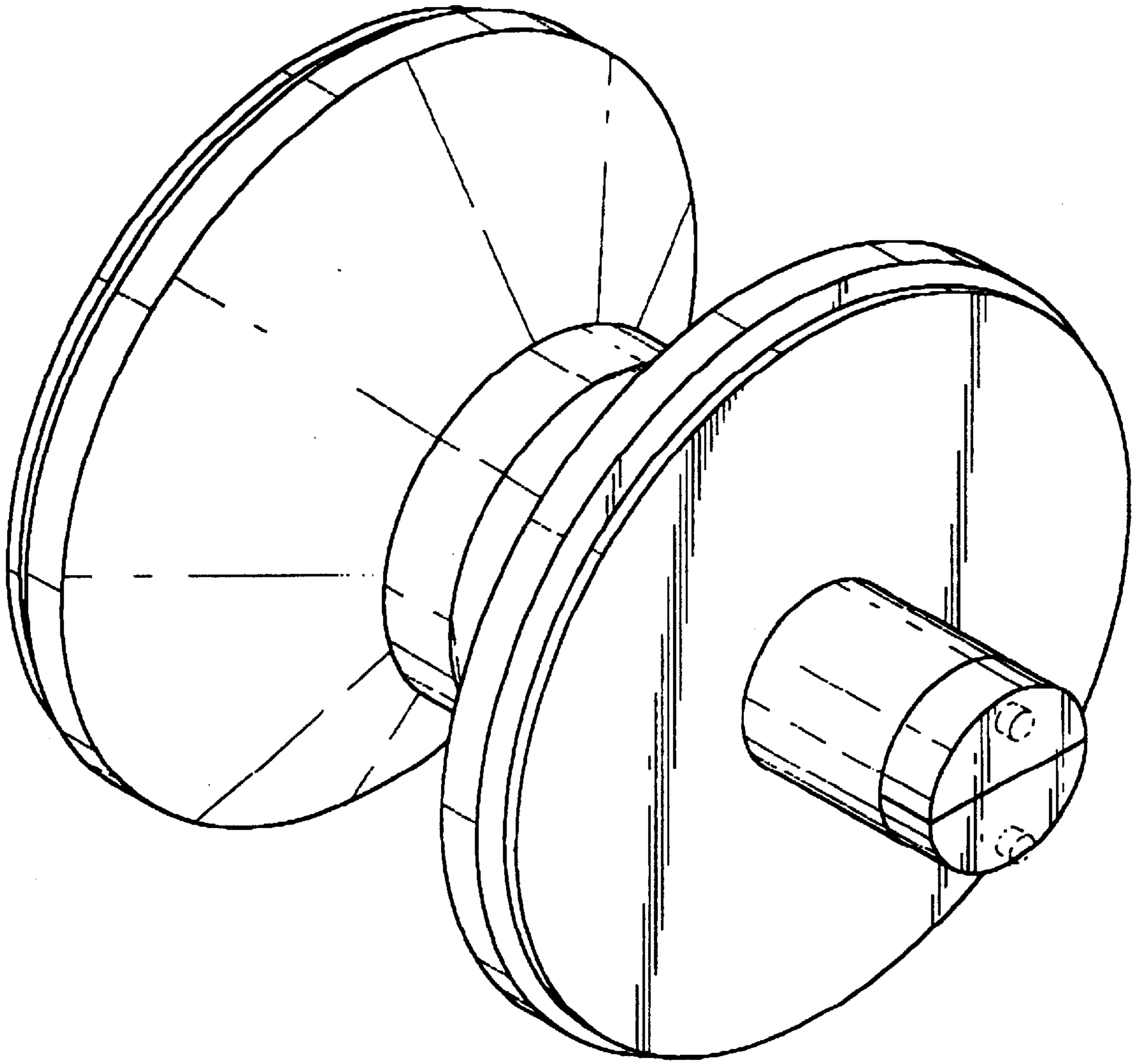


FIG. 1

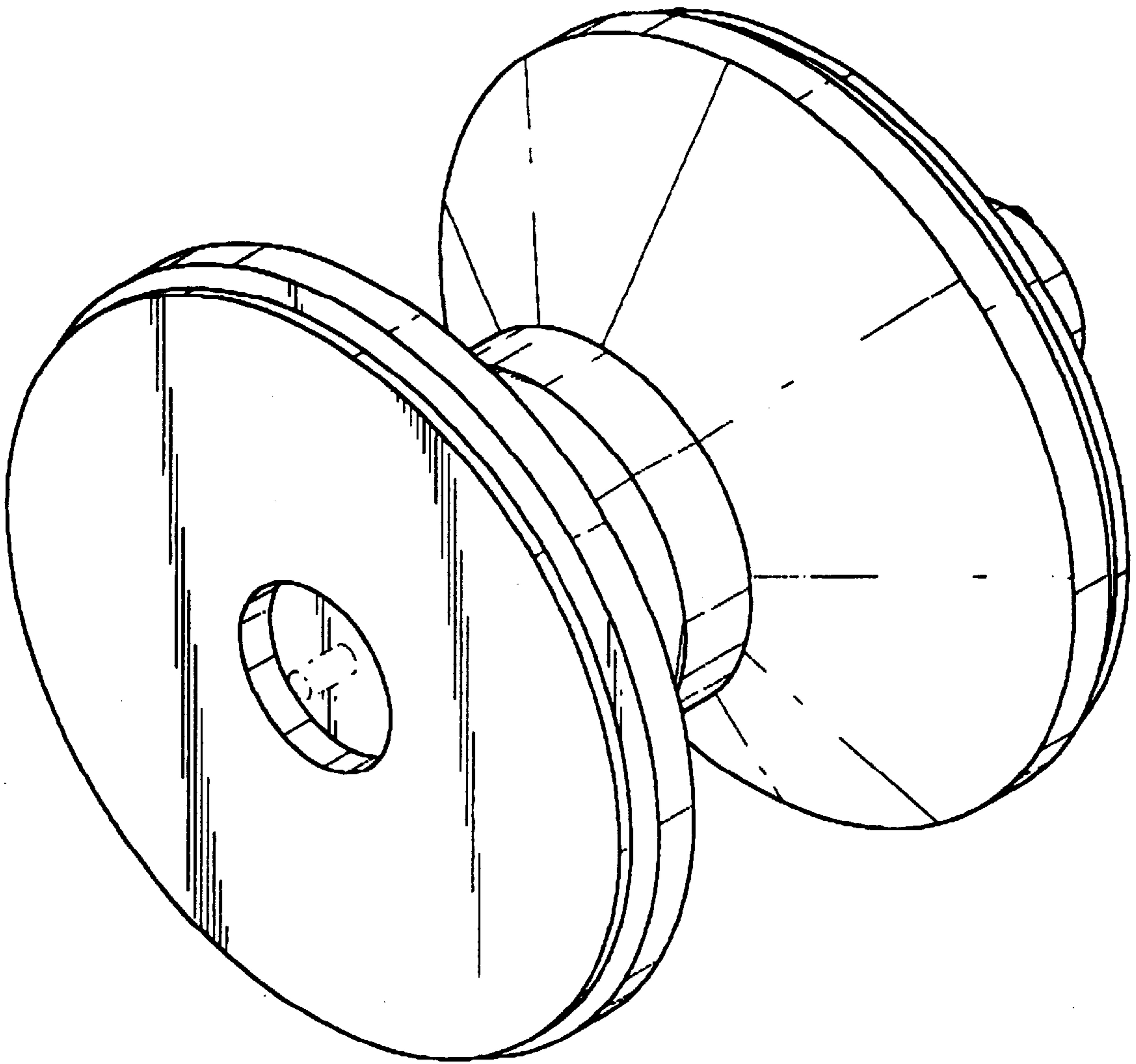


FIG. 2

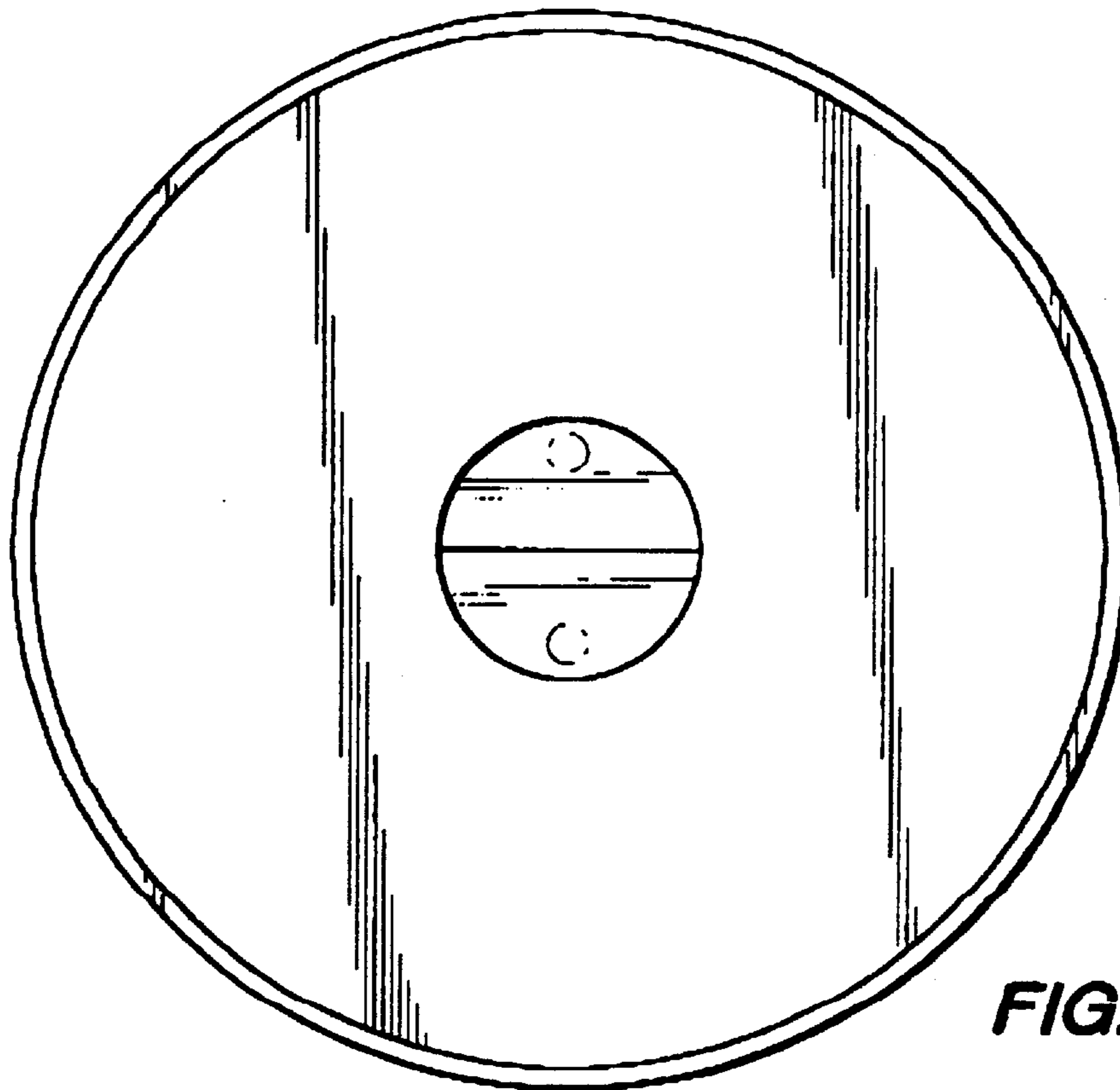


FIG. 3

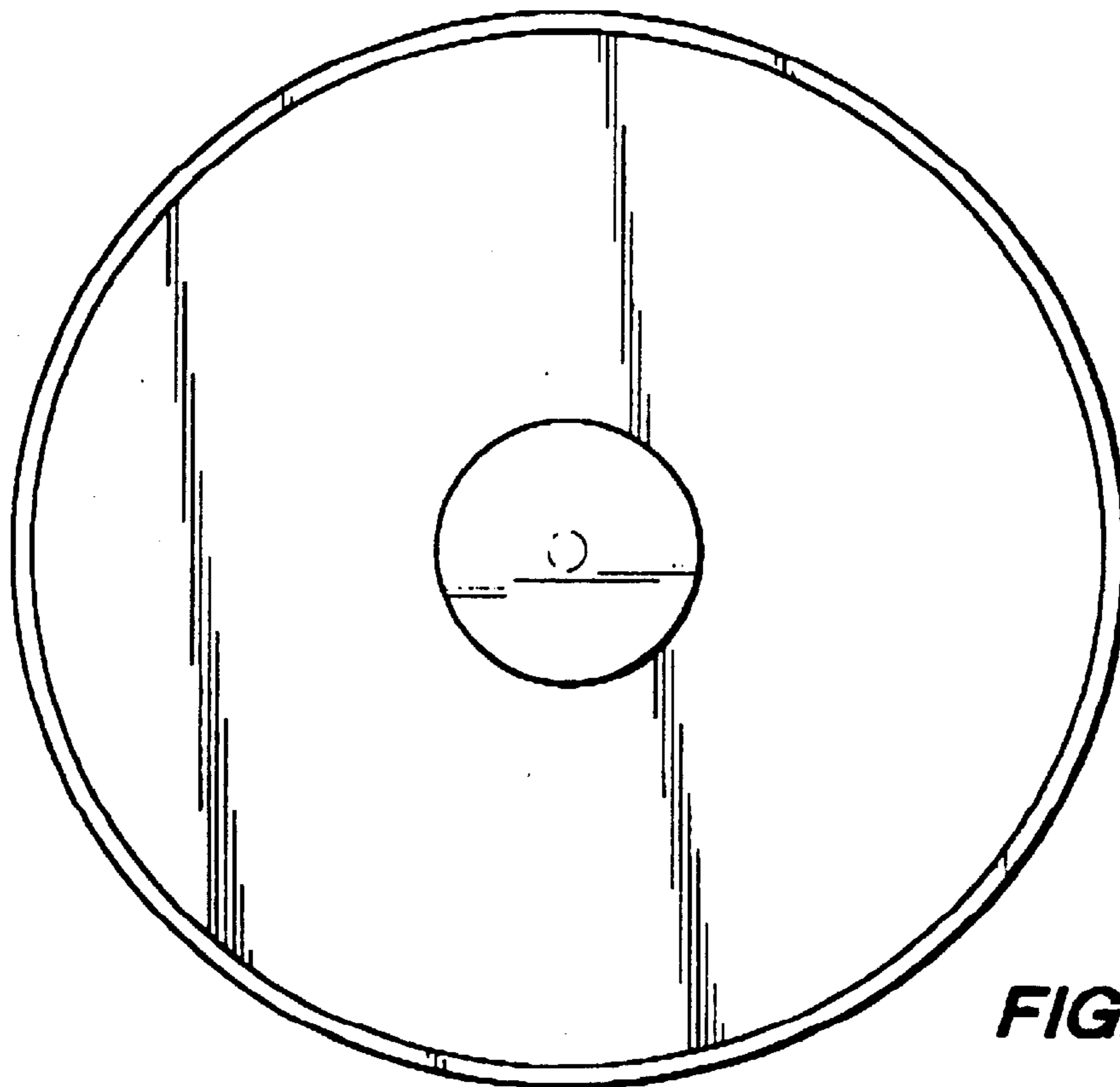


FIG. 4

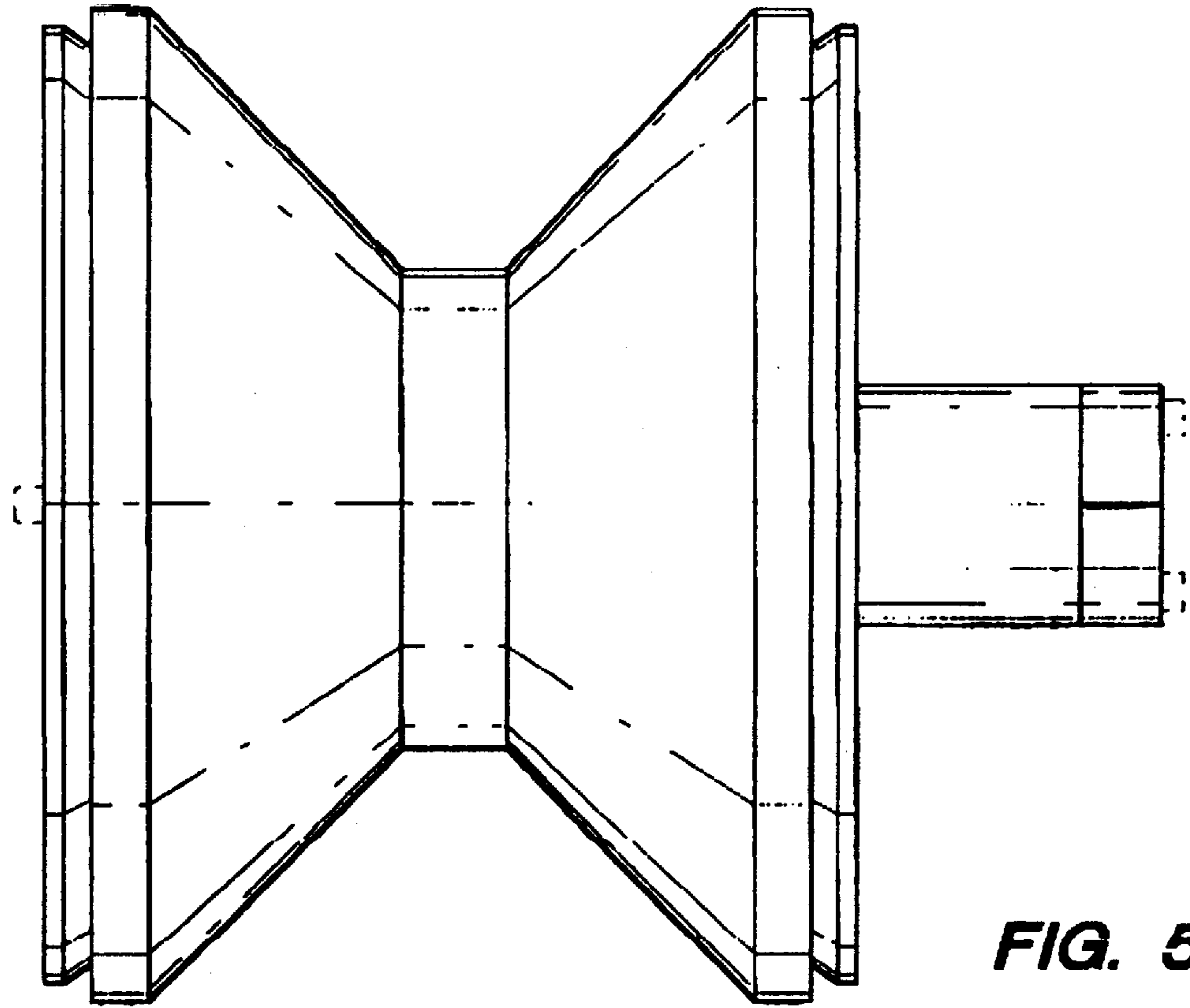


FIG. 5

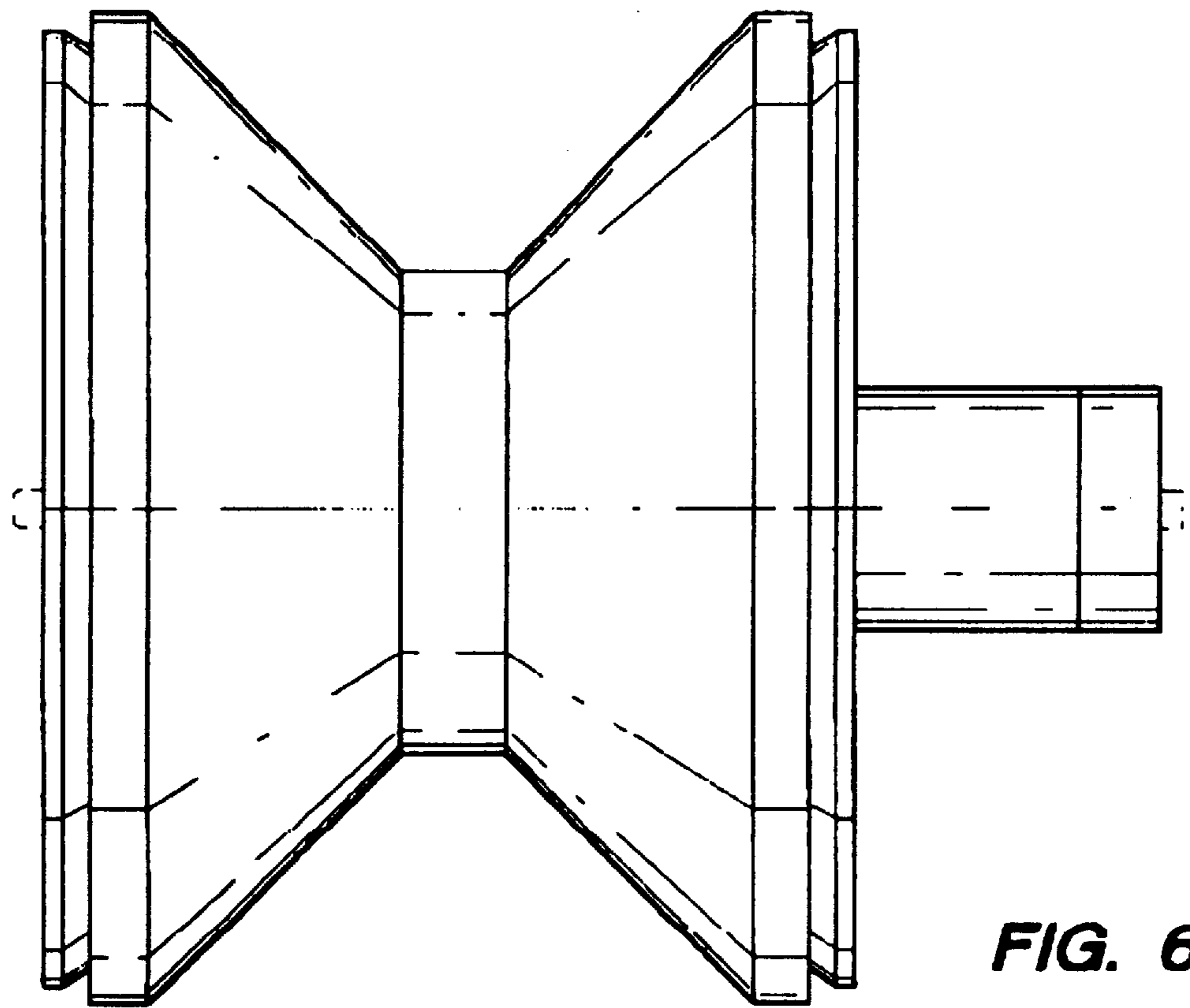


FIG. 6

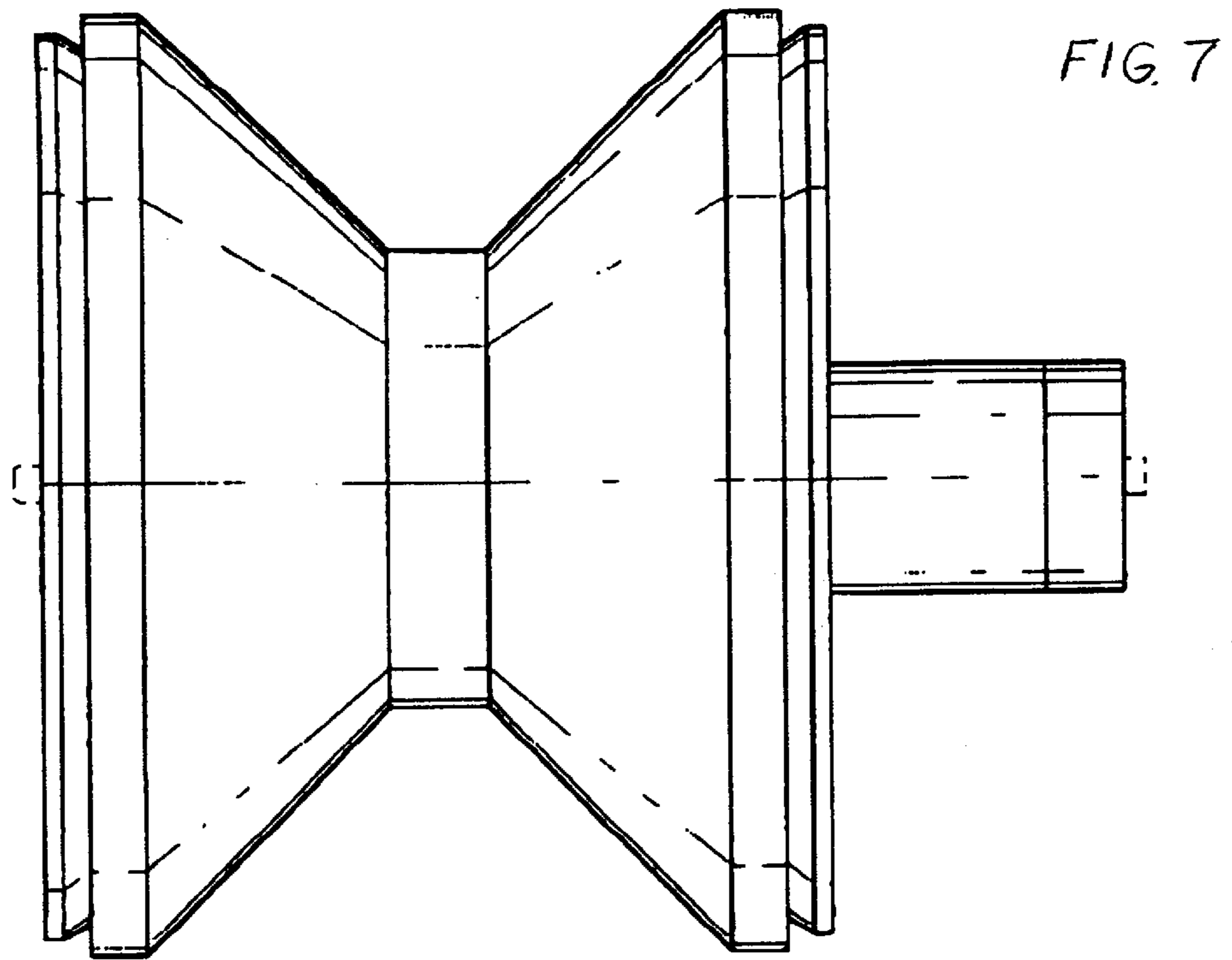


FIG 8

