



US00D411611S

United States Patent [19]
Warshawsky

[11] **Patent Number: Des. 411,611**

[45] **Date of Patent: ** Jun. 29, 1999**

[54] **FAUCET SPOUT**

[75] Inventor: **Jerome Warshawsky**, Hewlett Harbor, N.Y.

[73] Assignee: **I.W. Industries, Inc.**, Melville, N.Y.

[**] Term: **14 Years**

[21] Appl. No.: **29/089,579**

[22] Filed: **Jun. 18, 1998**

[51] **LOC (6) Cl.** **23-01**

[52] **U.S. Cl.** **D23/250**

[58] **Field of Search** D23/238-243,
D23/250-254; D8/300-310; 4/675-678;
16/110 R-125

[56] **References Cited**

U.S. PATENT DOCUMENTS

- D. 372,736 8/1996 Stabler D23/250 X
- D. 376,192 12/1996 Bavoso D23/250

- D. 383,523 9/1997 Dougerty et al. D23/250
- D. 390,921 2/1998 Steffes et al. D23/250
- D. 391,351 2/1998 Ko D23/250
- D. 394,701 5/1998 Kouler, Jr. et al D23/250

Primary Examiner—Louis S. Zarfes
Assistant Examiner—Eric Watterson
Attorney, Agent, or Firm—Alfred M. Walker

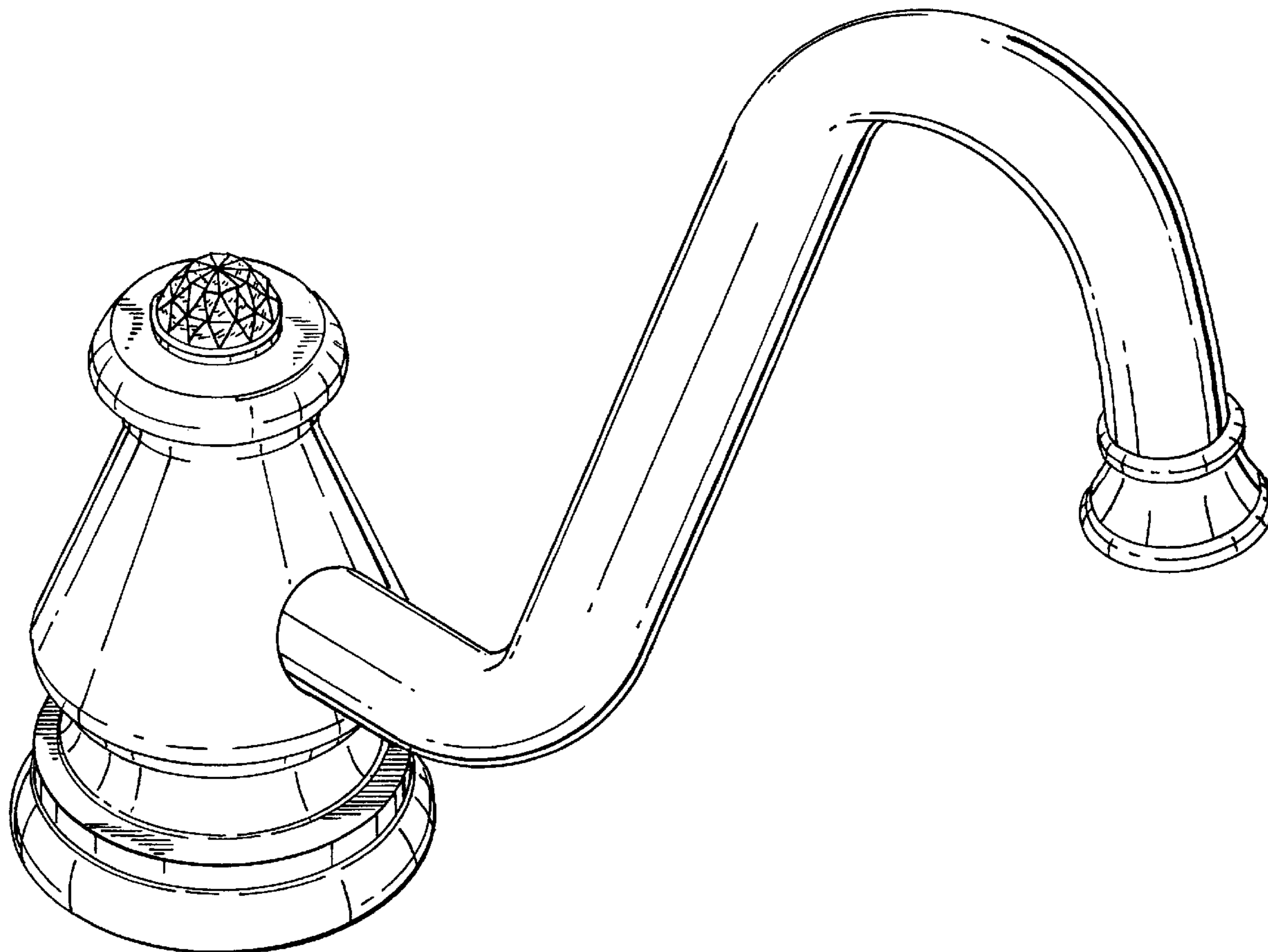
[57] **CLAIM**

The ornamental design for a faucet spout, as shown and described.

DESCRIPTION

FIG. 1 is a faucet spout, showing my new design;
FIG. 2 is a side elevational view, the opposite side being a mirror image thereof;
FIG. 3 is a front elevational view thereof;
FIG. 4 is a rear elevational view thereof;
FIG. 5 is a top plan view thereof; and,
FIG. 6 is a bottom plan view thereof.

1 Claim, 3 Drawing Sheets



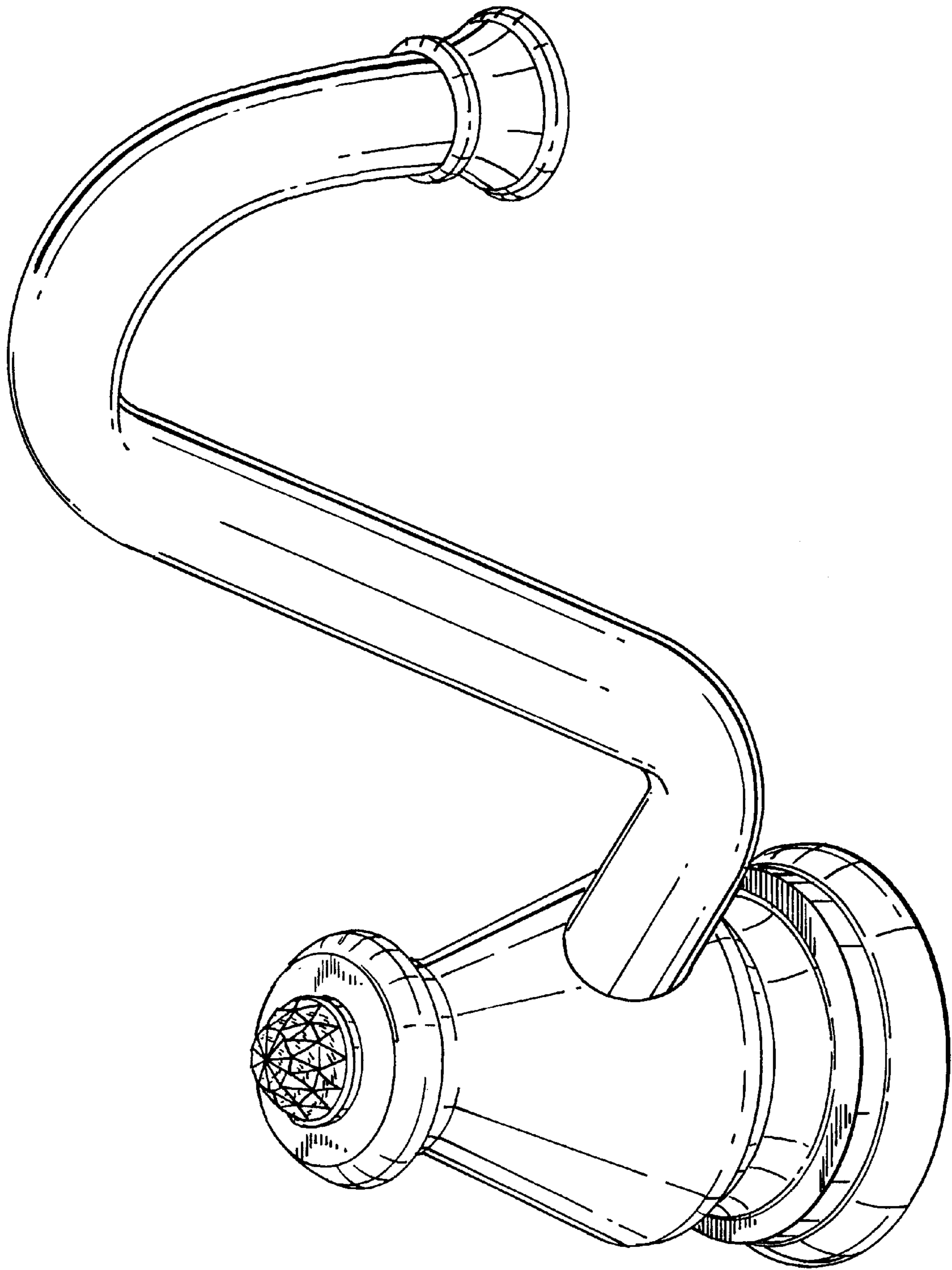


Fig. 1

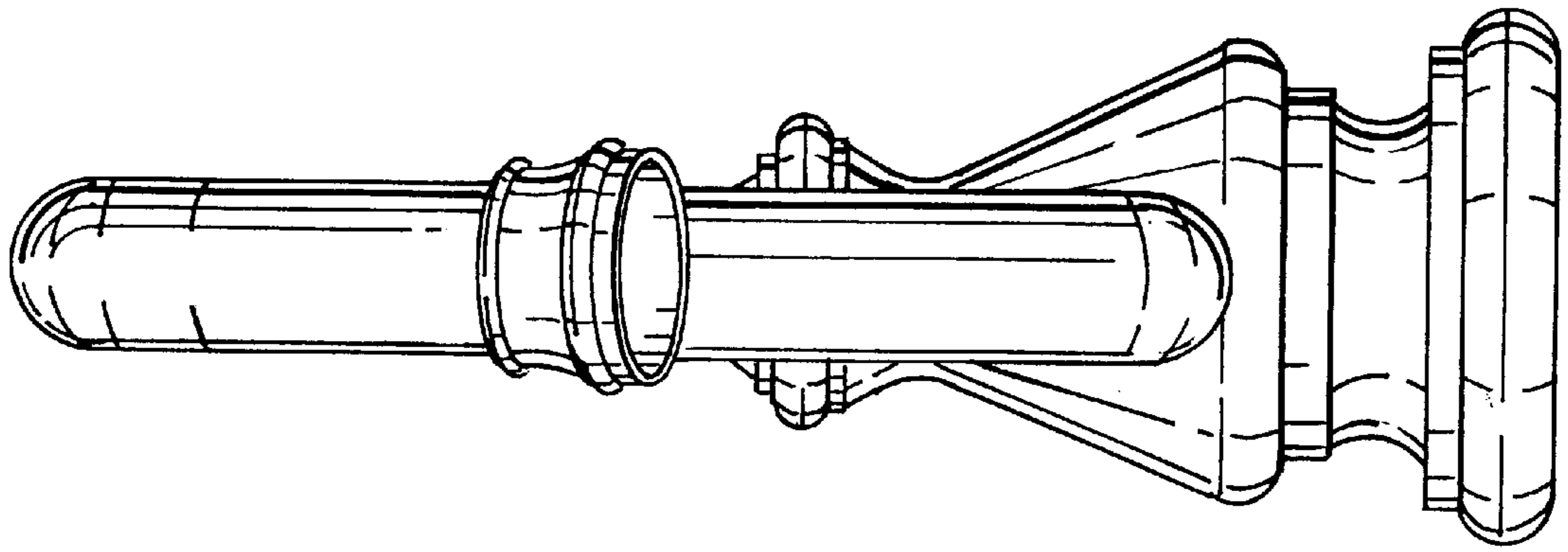


Fig. 3

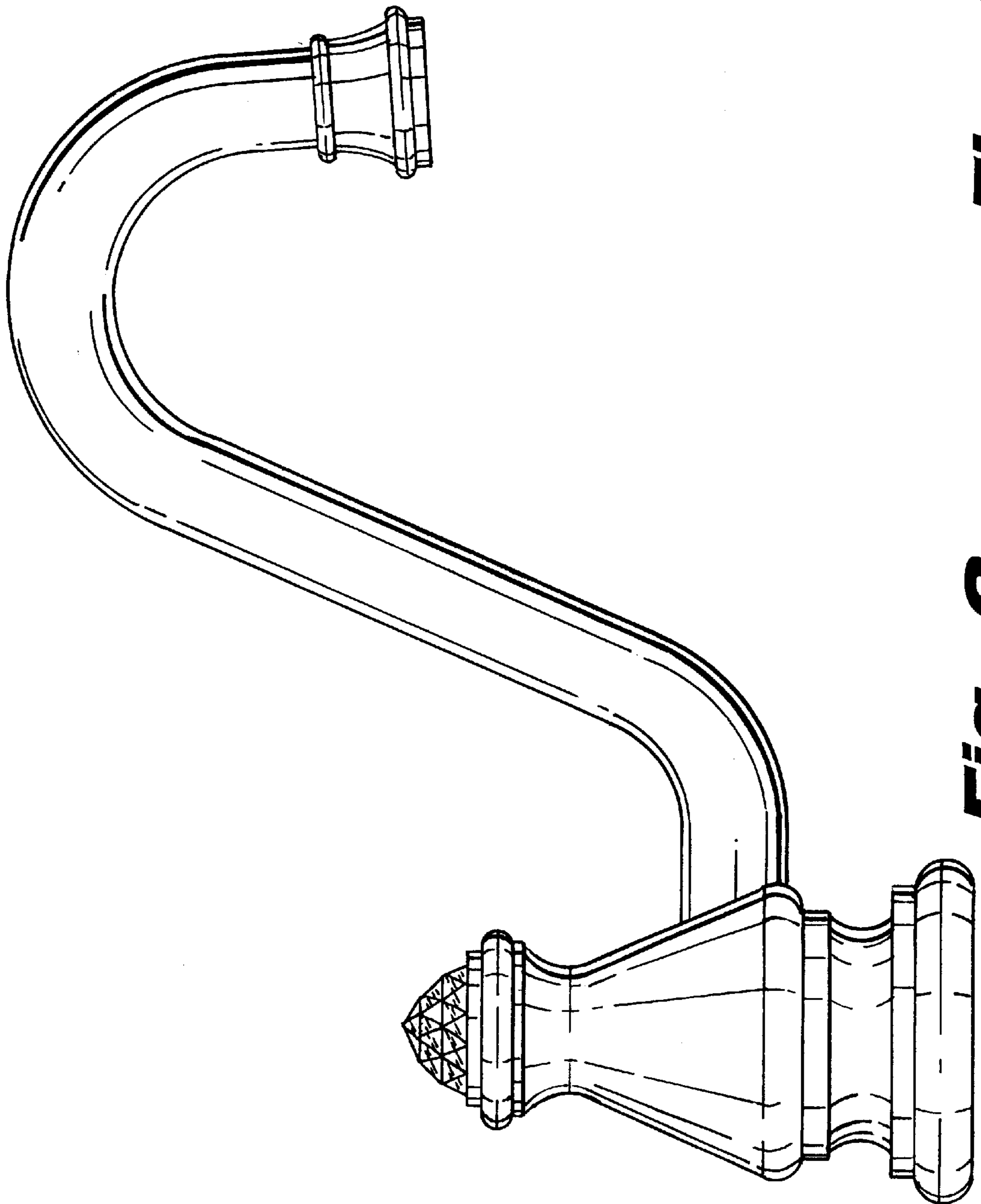


Fig. 2

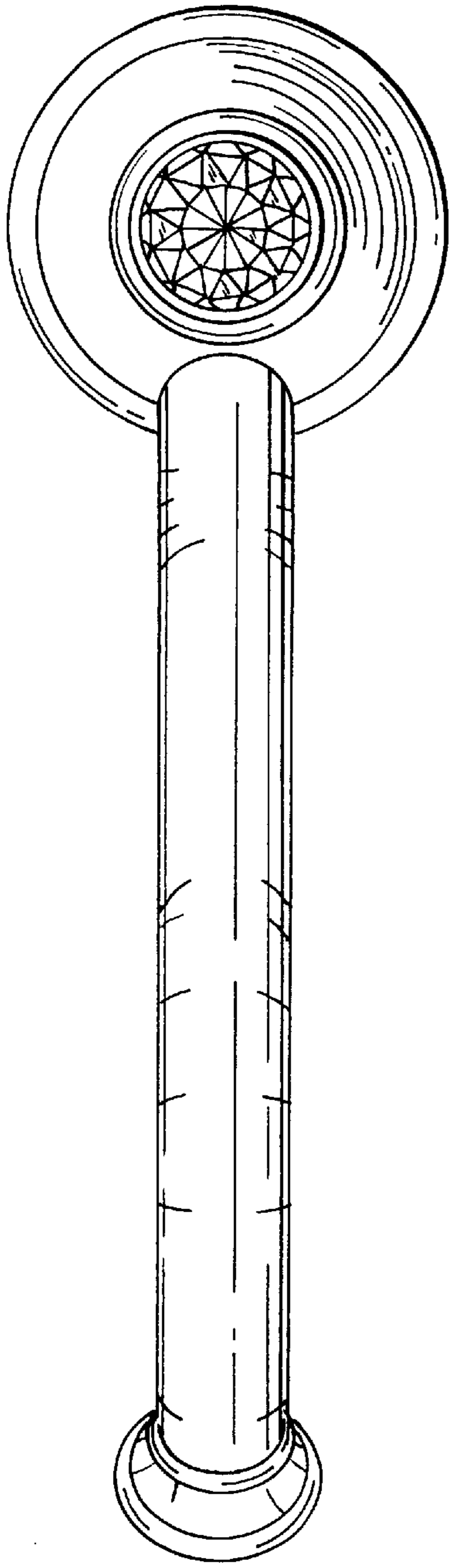


Fig. 5

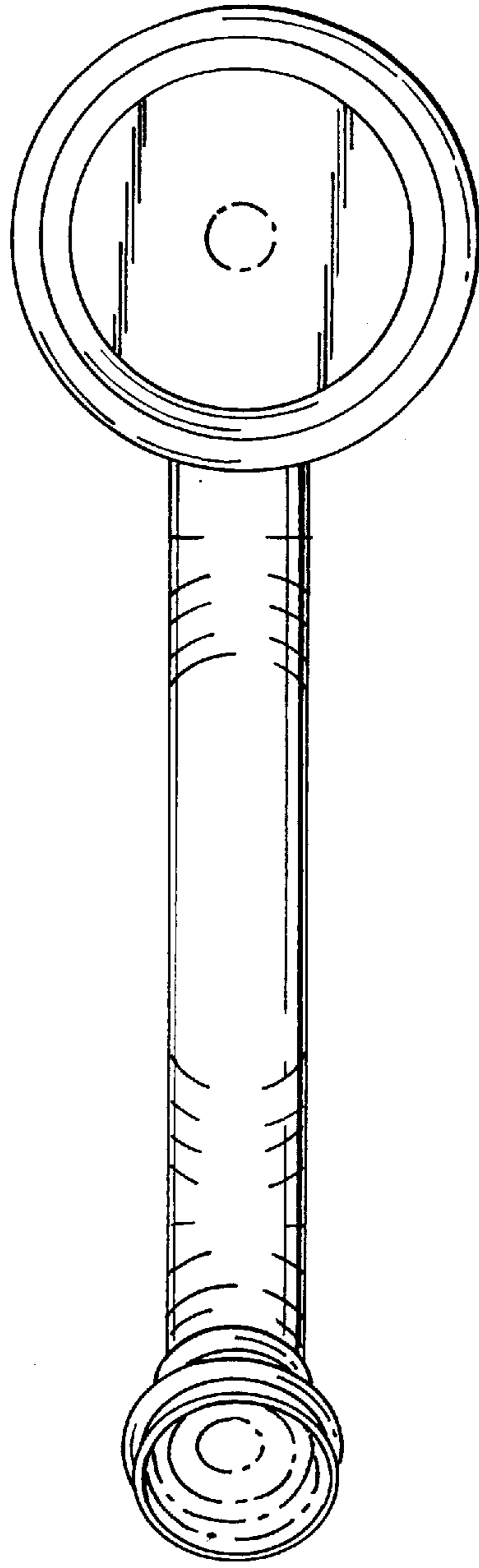


Fig. 6

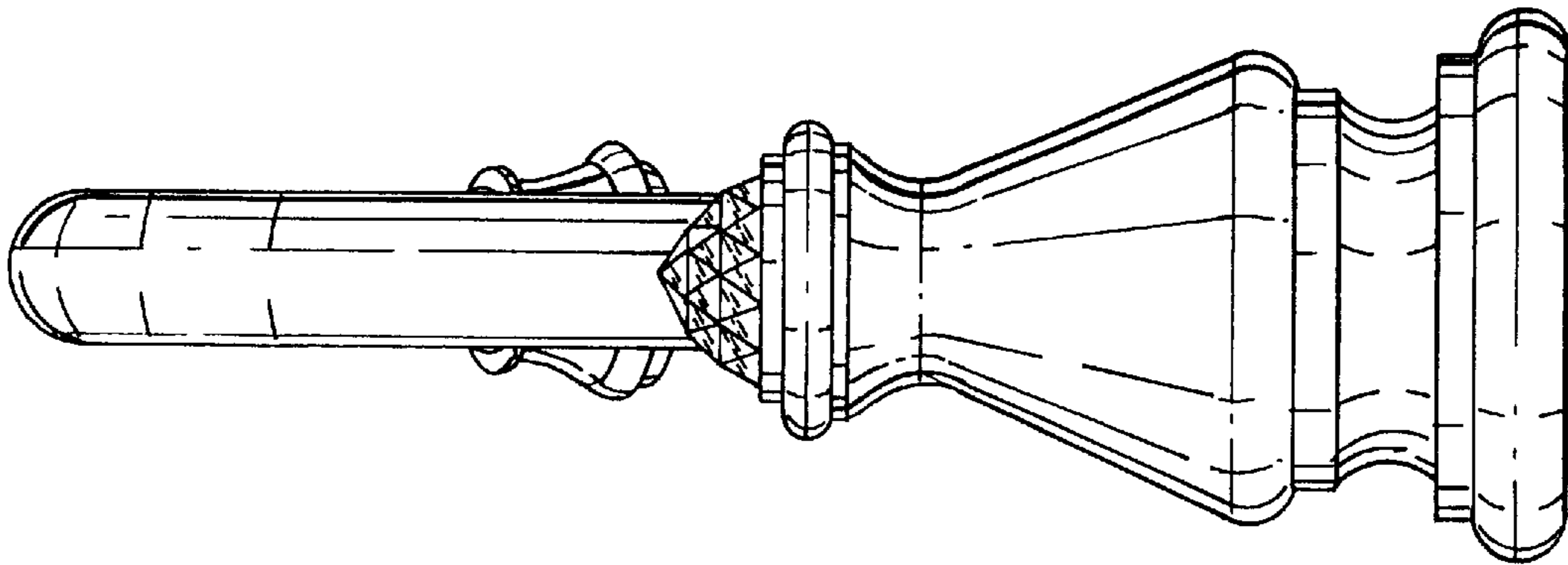


Fig. 4