



US00D411610S

United States Patent [19] Lobermeier

[11] **Patent Number: Des. 411,610**

[45] **Date of Patent: ** Jun. 29, 1999**

[54] **WALL-MOUNTED FAUCET**

[75] Inventor: **Hans Lobermeier**, Menden, Germany

[73] Assignee: **Friedrich Grohe AG**, Hemer, Germany

[**] Term: **14 Years**

[21] Appl. No.: **29/093,707**

[22] Filed: **Sep. 17, 1998**

[30] **Foreign Application Priority Data**

Apr. 16, 1998 [DE] Germany M 98 03 680

[51] **LOC (6) Cl.** **23-01**

[52] **U.S. Cl.** **D23/238**

[58] **Field of Search** D23/238-243,
D23/250-257; D8/300-308; 4/675-678

[56] **References Cited**

U.S. PATENT DOCUMENTS

D. 335,917 5/1993 Chretien D23/238

D. 365,624 12/1995 Gottwald D23/238
D. 372,518 8/1996 Gottwald D23/238
D. 378,774 4/1997 Kergoet D23/238
D. 388,155 12/1997 Gottwald et al. D23/238

Primary Examiner—Louis S. Zarfes
Assistant Examiner—Eric Watterson
Attorney, Agent, or Firm—Herbert Dubno

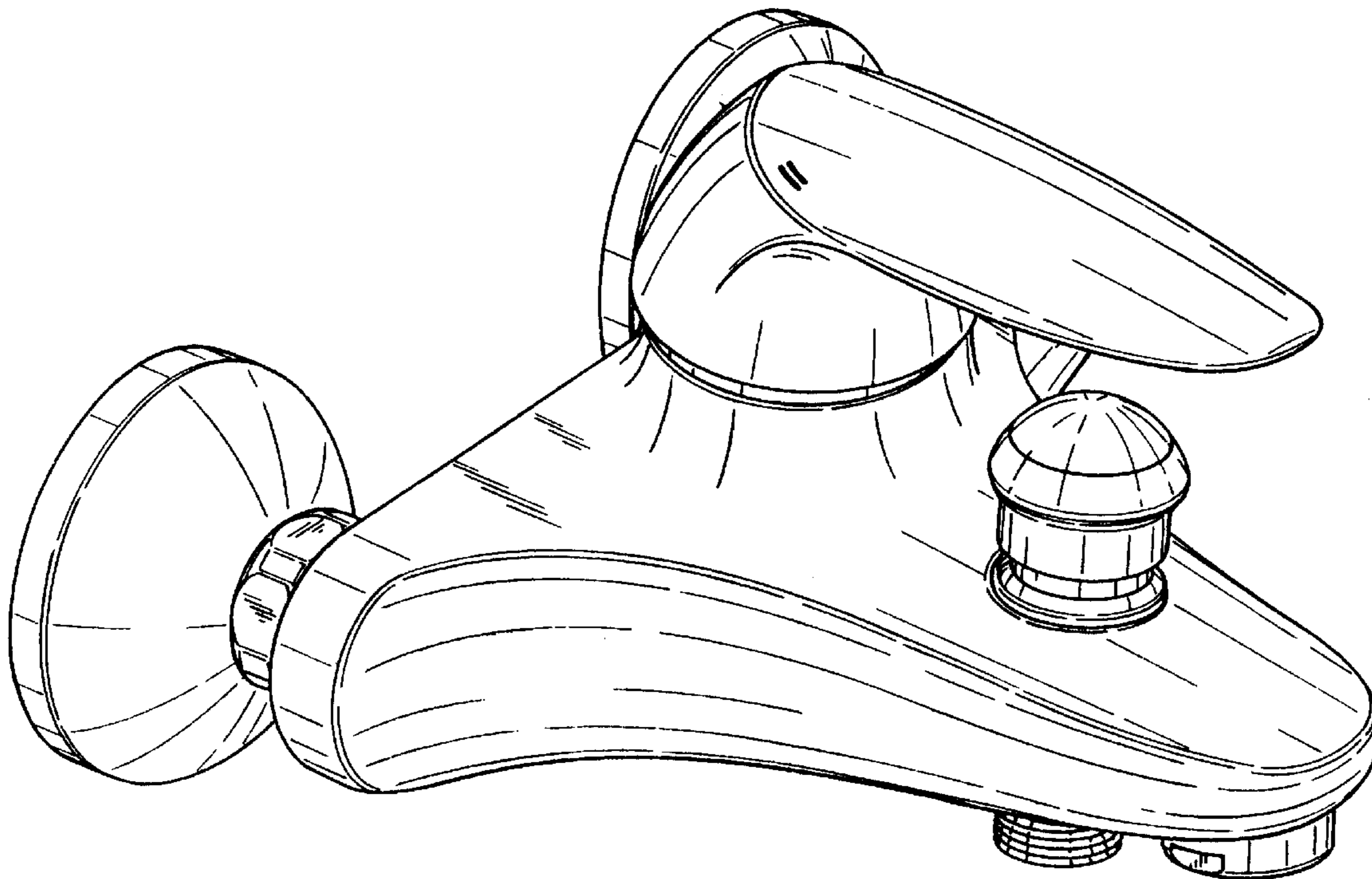
[57] **CLAIM**

The ornamental design for a wall-mounted faucet, as shown and described.

DESCRIPTION

FIG. 1 is a top, front, left-side elevational view of a wall-mount faucet showing my new design;
FIG. 2 is a top view thereof;
FIG. 3 is a left side elevational view thereof, the right side elevational view being mirror symmetrical thereto;
FIG. 4 is a front view thereof;
FIG. 5 is a bottom view thereof; and,
FIG. 6 is a rear view thereof.

1 Claim, 6 Drawing Sheets



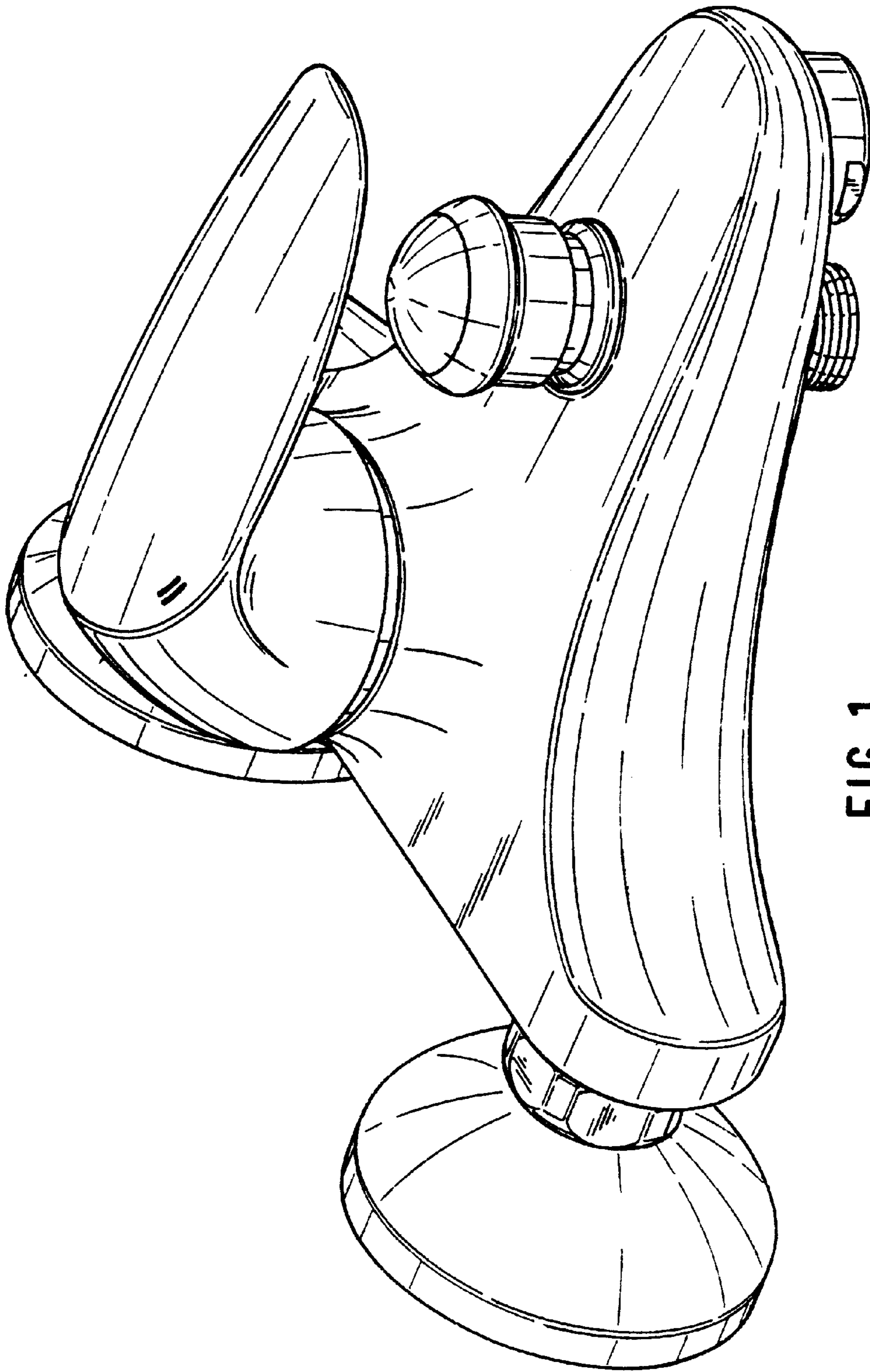


FIG. 1

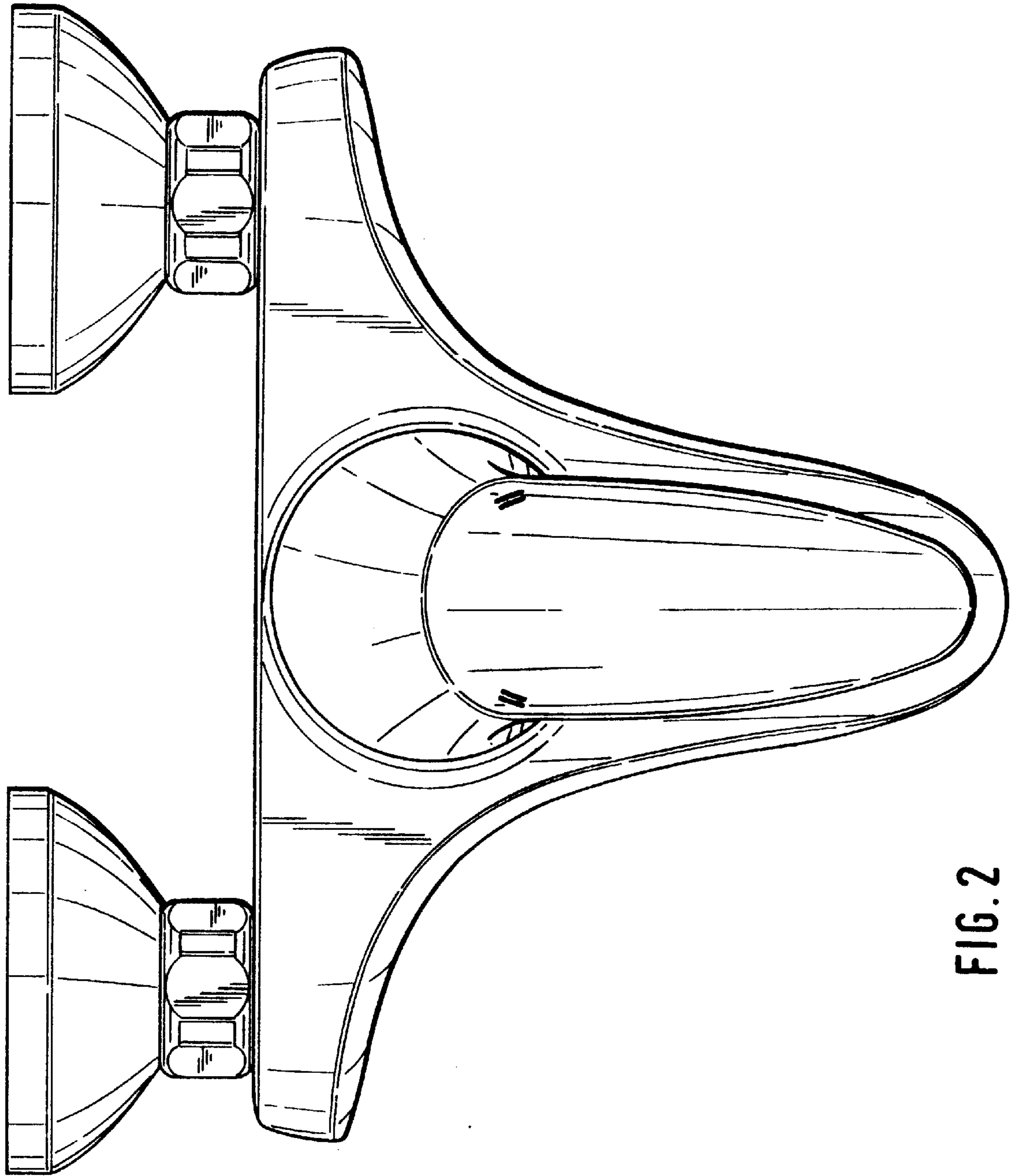


FIG. 2

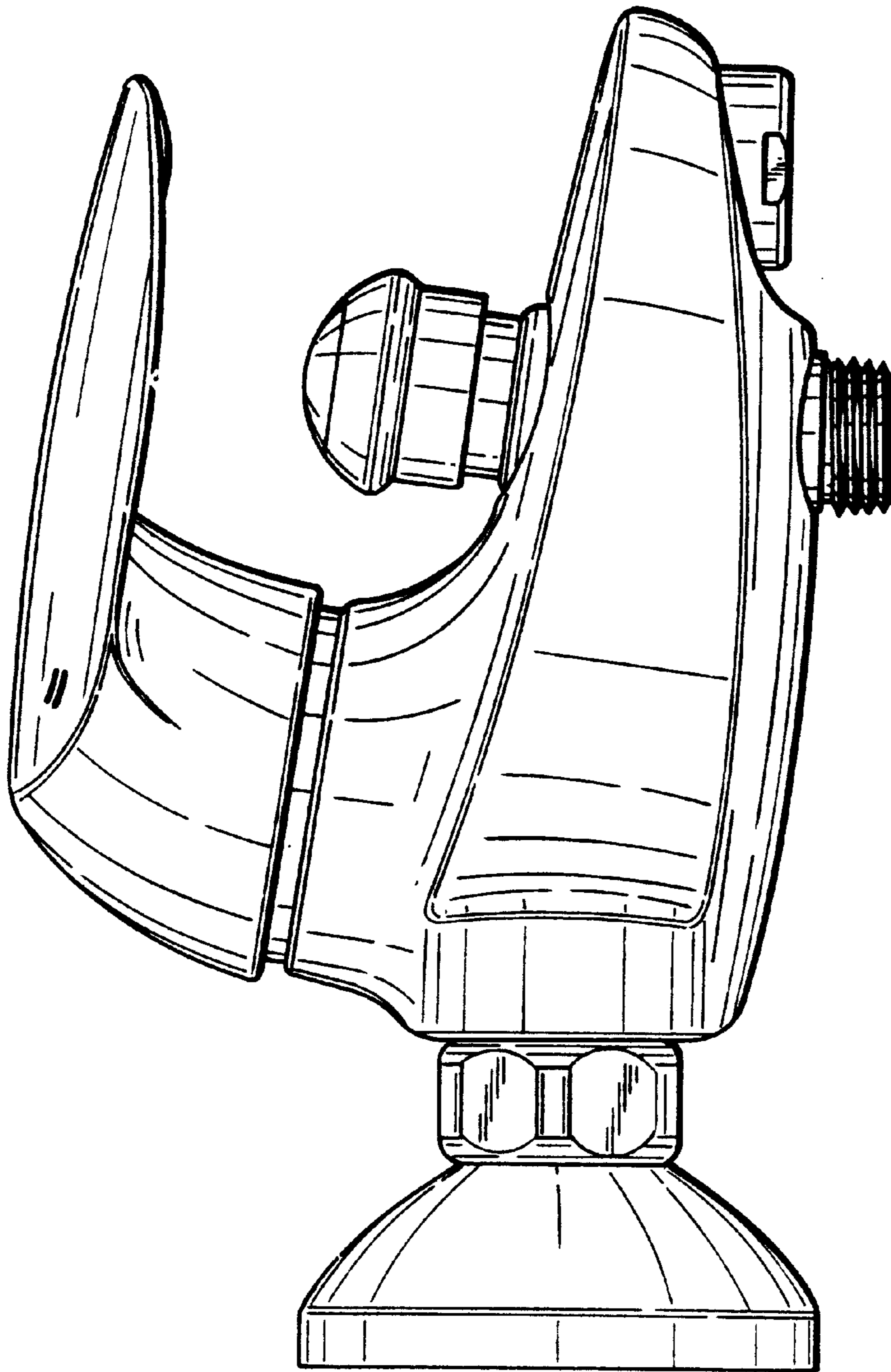


FIG. 3

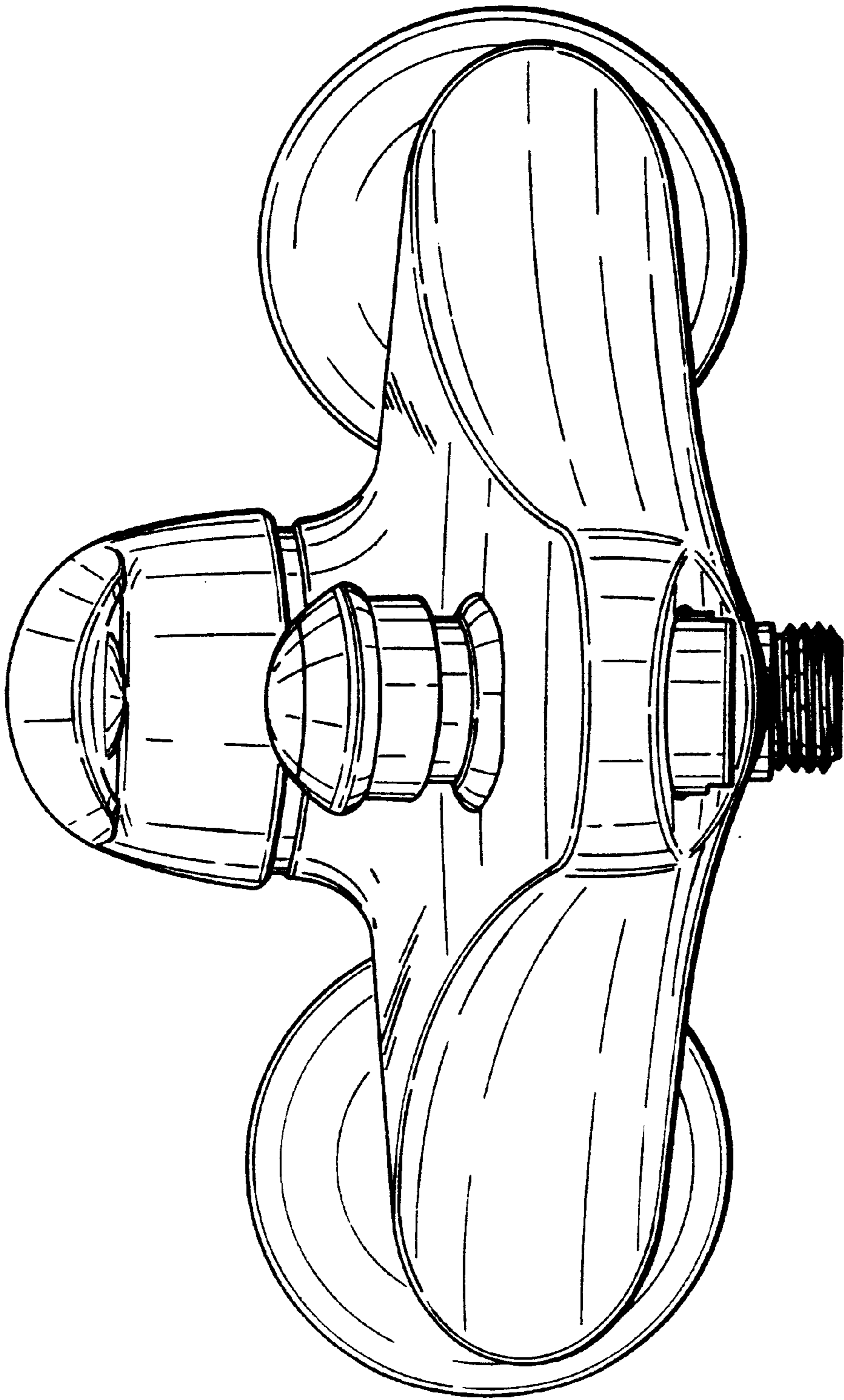


FIG. 4

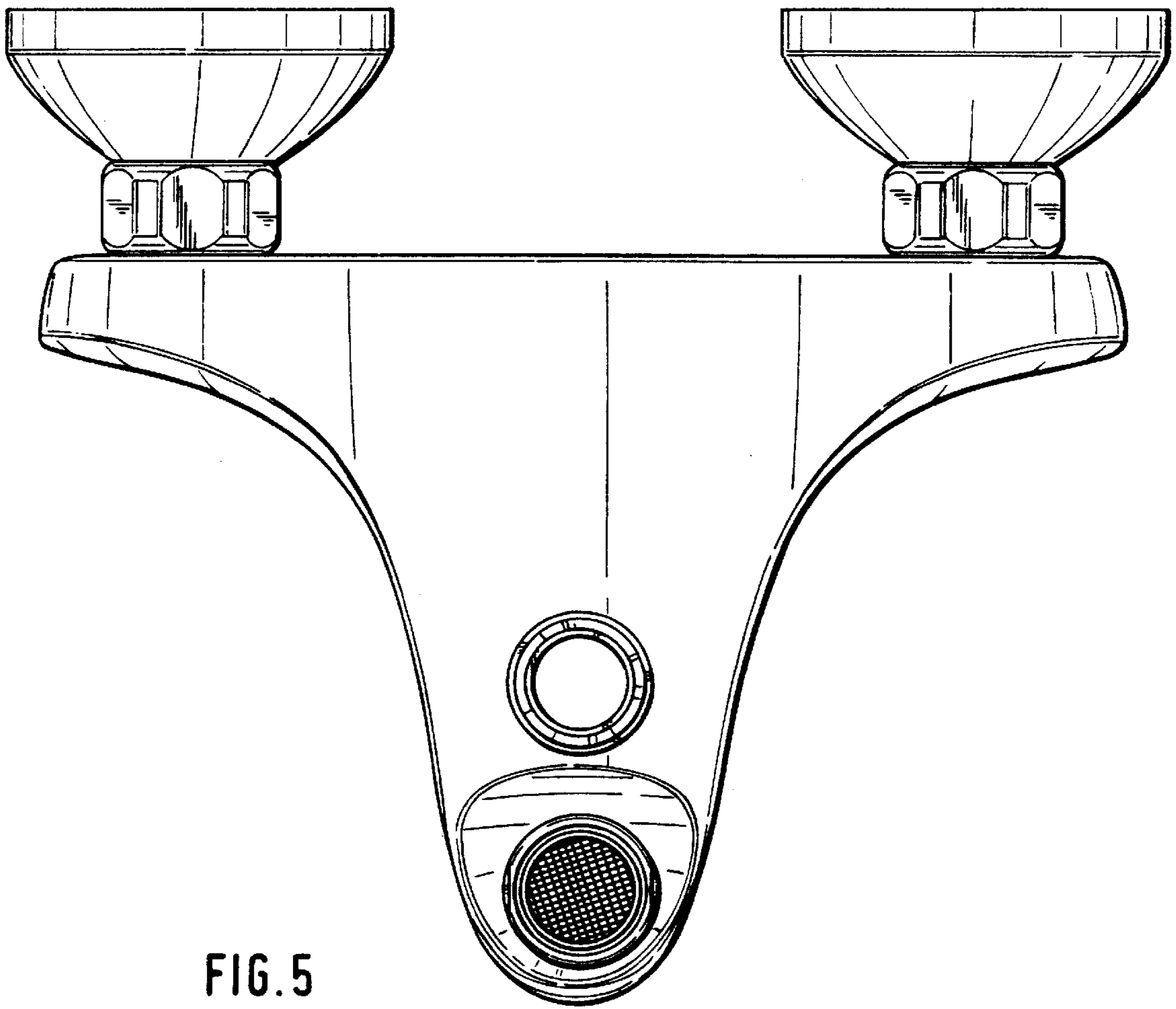


FIG. 5

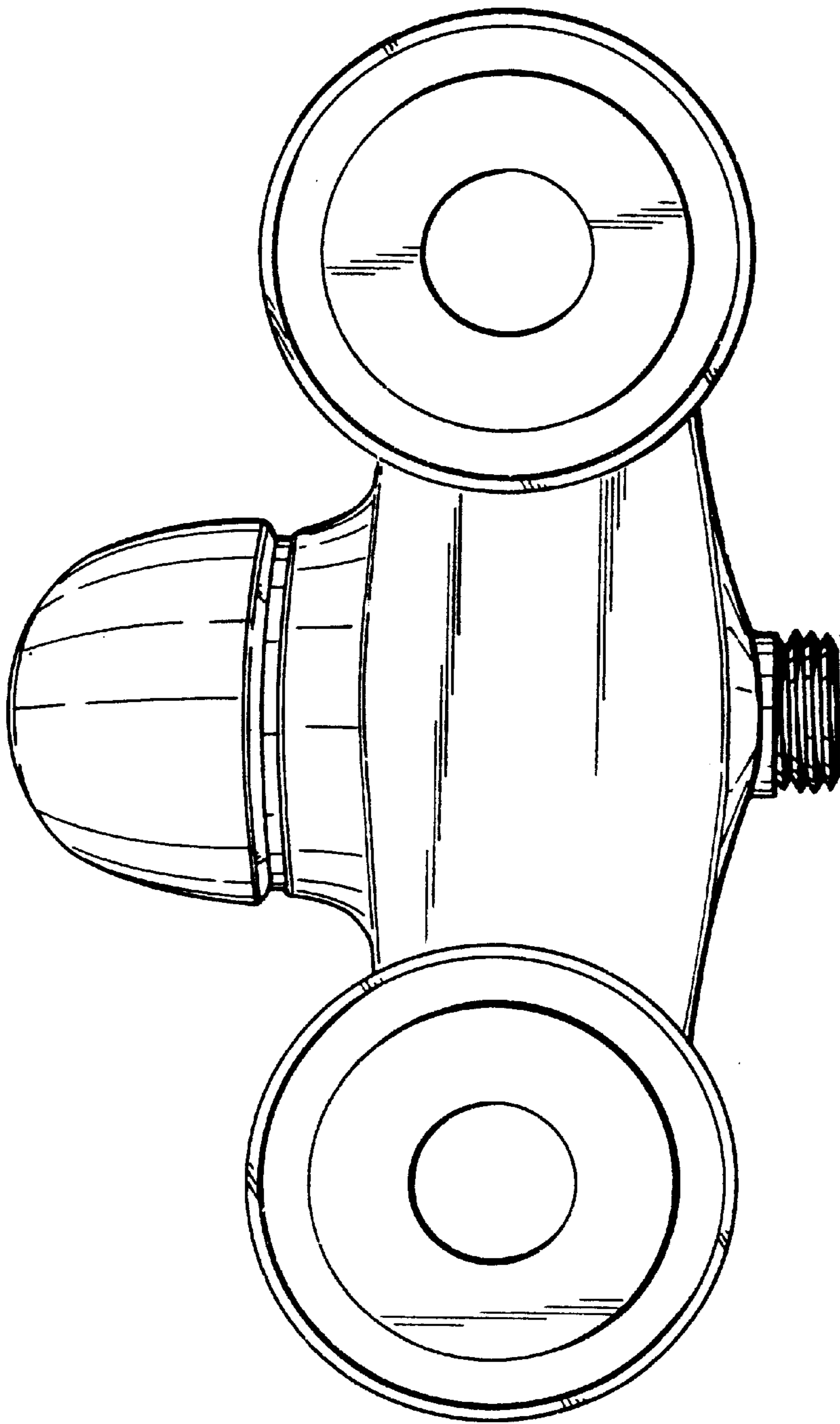


FIG. 6