



US00D411609S

United States Patent [19]
Stoltenberg et al.

[11] **Patent Number: Des. 411,609**
[45] **Date of Patent: ** Jun. 29, 1999**

[54] **TOILET FLUSH VALVE BODY**
[75] Inventors: **Michael R. Stoltenberg**, Des Plaines;
Edward G. Puhl, Rolling Meadows;
Jose Aranda, Chicago, all of Ill.
[73] Assignee: **Sloan Valve Company**, Franklin Park,
Ill.
[**] Term: **14 Years**
[21] Appl. No.: **29/090,019**
[22] Filed: **Jun. 29, 1998**
[51] **LOC (6) Cl.** **23-01**
[52] **U.S. Cl.** **D23/233**
[58] **Field of Search** D23/233-237,
D23/244-245; 251/30.01, 38-40; 4/DIG. 3

1,723,599 8/1929 Bullock 251/40
3,085,779 4/1963 Philippe 251/40
4,202,525 5/1980 Govaer et al. 251/40
5,476,244 12/1995 Carroll et al. 251/40

Primary Examiner—Robin V. Taylor
Attorney, Agent, or Firm—Dorn, McEachran, Jambor &
Keating

[57] **CLAIM**

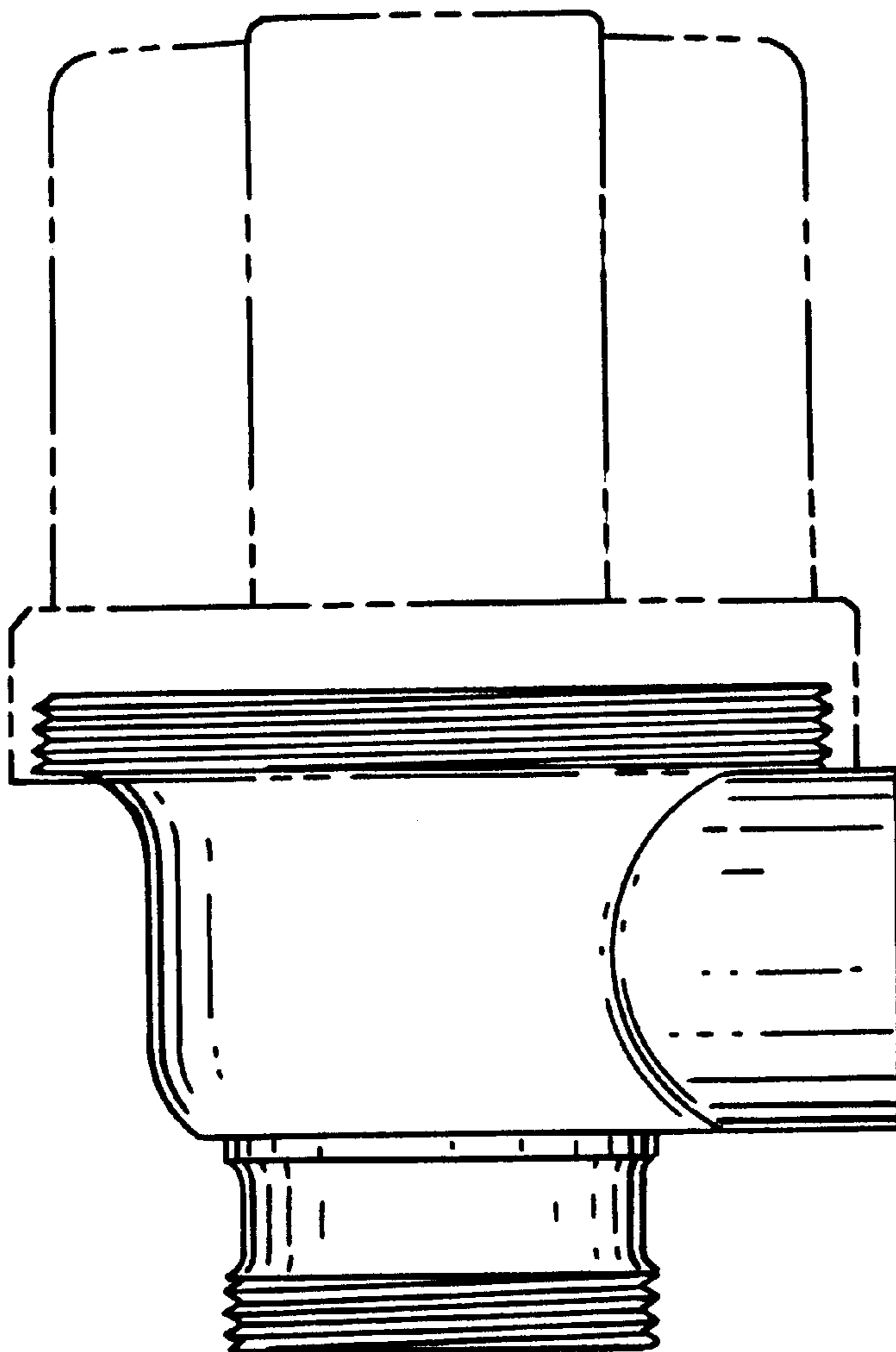
The ornamental design for a toilet flush valve body, as shown and described.

DESCRIPTION

FIG. 1 is a front view of a toilet flush valve body showing our new design, the cover shown in broken lines forming no part of the invention;
FIG. 2 is a left side view of the flush valve body of FIG. 1;
FIG. 3 is a right side view of the flush valve body of FIG. 1;
FIG. 4 is a top view of the flush valve body; and,
FIG. 5 is a bottom view of the flush valve body.

[56] **References Cited**
U.S. PATENT DOCUMENTS
D. 396,090 7/1998 Marcichow et al. D23/233
1,066,350 7/1913 Watrous 251/40

1 Claim, 2 Drawing Sheets



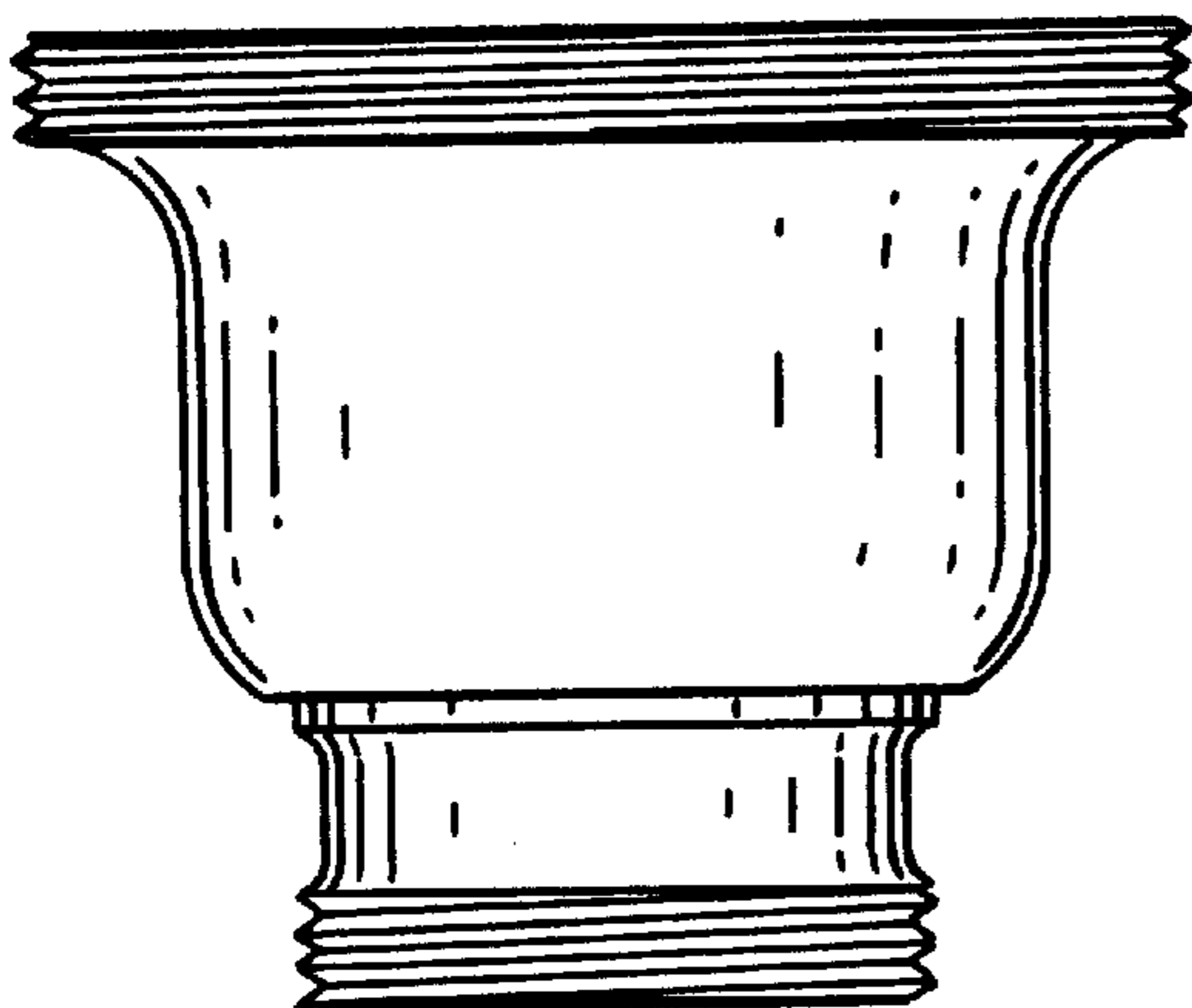
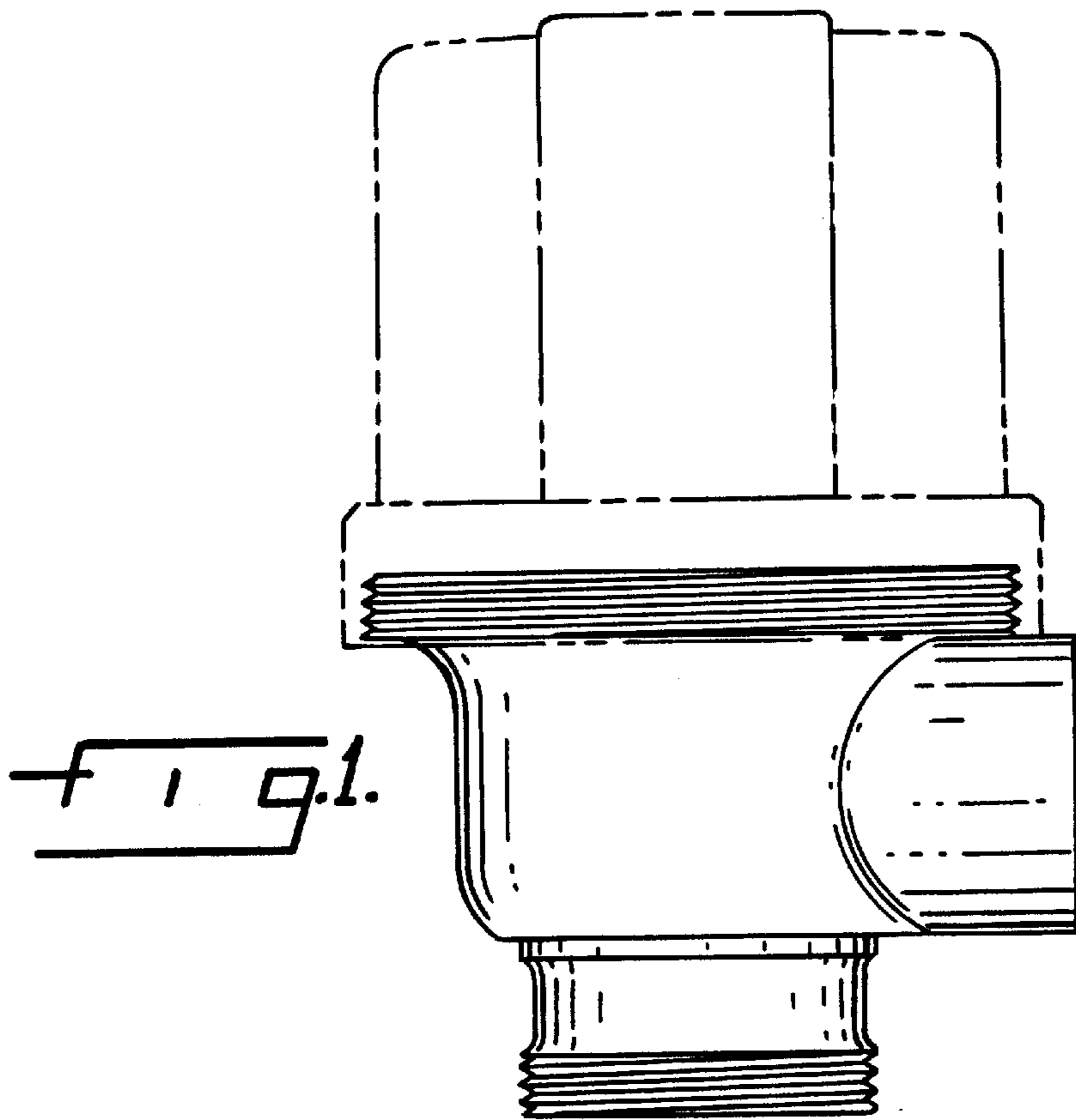


FIG. 2.

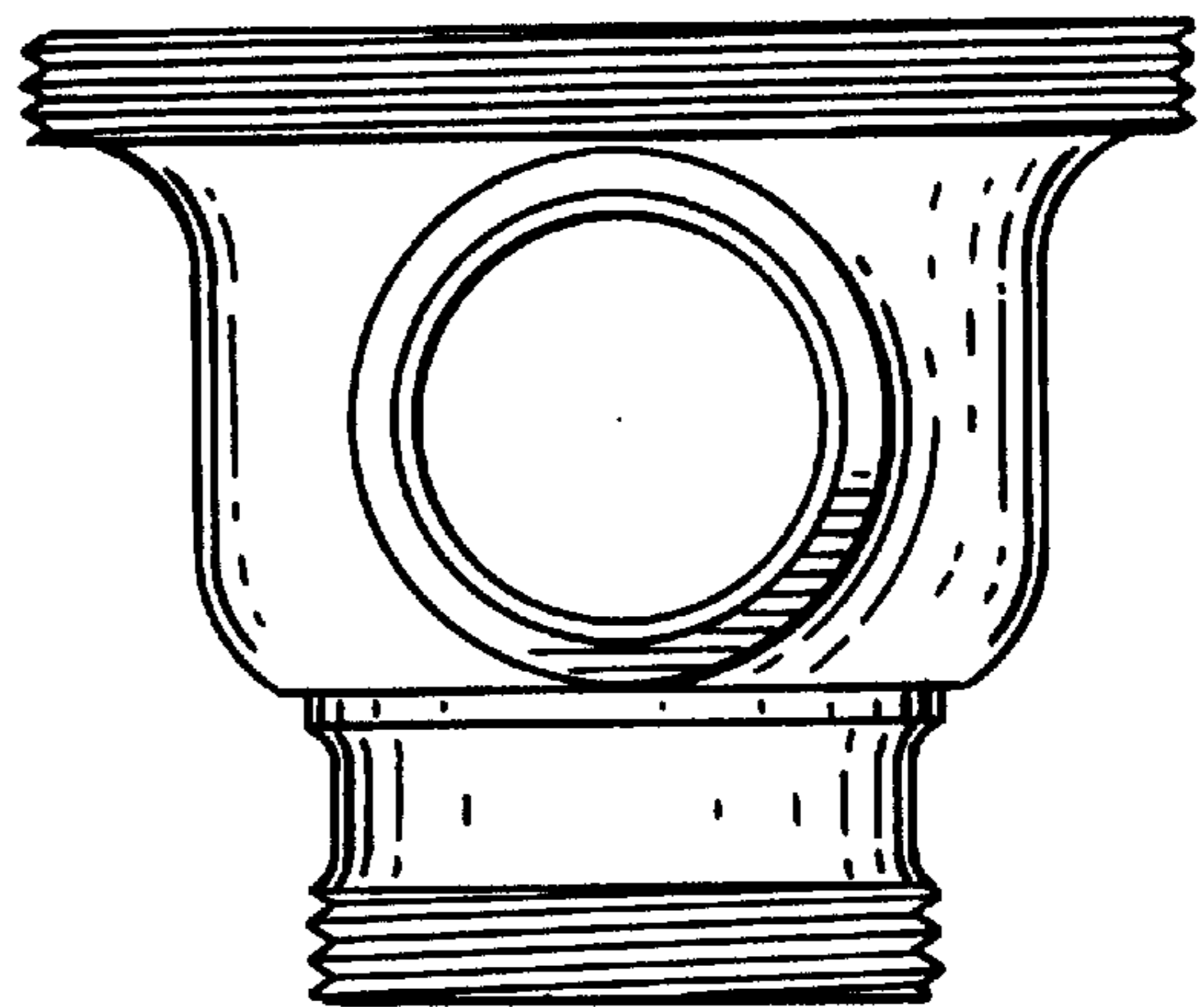


FIG. 3.

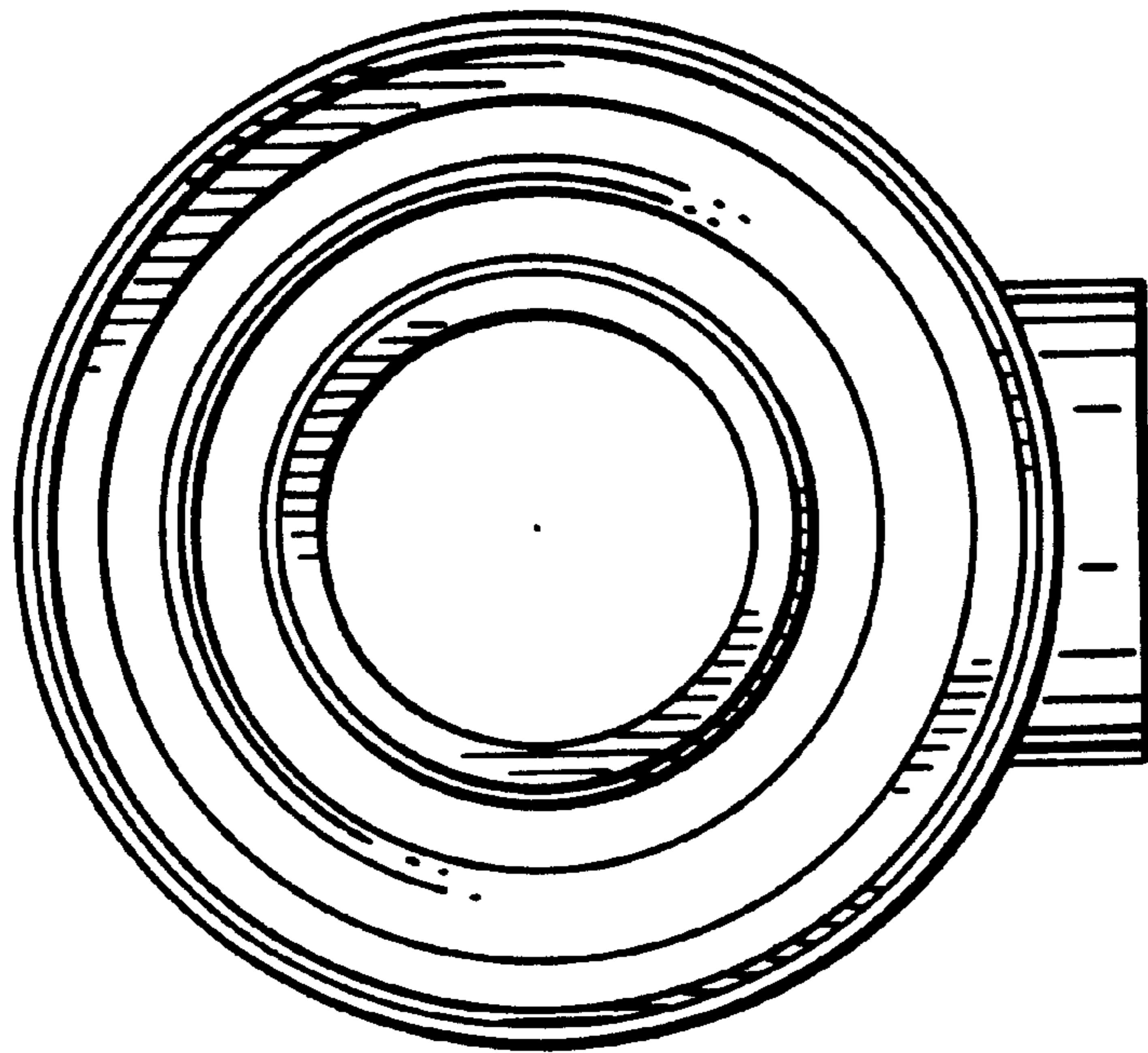


FIG. 4.

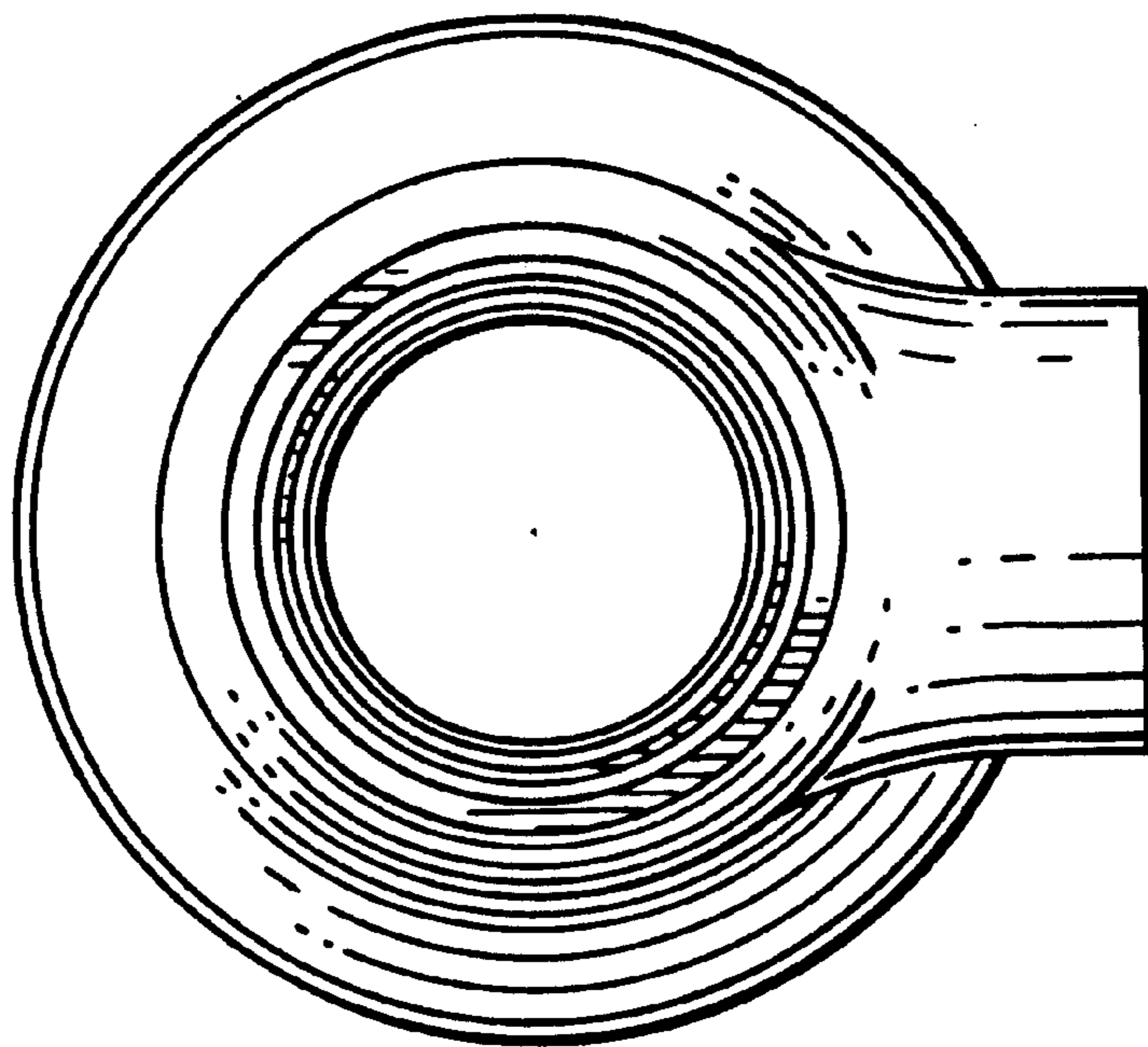


FIG. 5.