



US00D411608S

United States Patent [19] Fan

[11] **Patent Number: Des. 411,608**

[45] **Date of Patent: ** Jun. 29, 1999**

[54] **SHOWER HEAD**

3,146,734	9/1964	Nelson	D23/229
3,254,842	6/1966	Bachli et al.	D23/229
3,836,083	9/1974	Bell	239/460

[76] Inventor: **Chen-Yueh Fan**, Room F/23, 4th Fl.,
No. 5, Sec. 5, Hsinyi Rd., Taipei,
Taiwan

[**] Term: **14 Years**

Primary Examiner—Alan P. Douglas
Assistant Examiner—Robin V. Taylor
Attorney, Agent, or Firm—William E. Pelton

[21] Appl. No.: **29/092,415**

[57] **CLAIM**

[22] Filed: **Aug. 18, 1998**

The ornamental design for the shower head, as shown.

[51] **LOC (6) Cl.** **23-01**

DESCRIPTION

[52] **U.S. Cl.** **D23/229**

FIG. 1 is a perspective view of a shower head showing my new design;

[58] **Field of Search** D23/213, 229,
D23/230; 239/460-462, 414, 415

FIG. 2 is a front view thereof;

FIG. 3 is a rear view thereof;

FIG. 4 is a left side view thereof;

FIG. 5 is a right side view thereof;

FIG. 6 is a top view thereof; and,

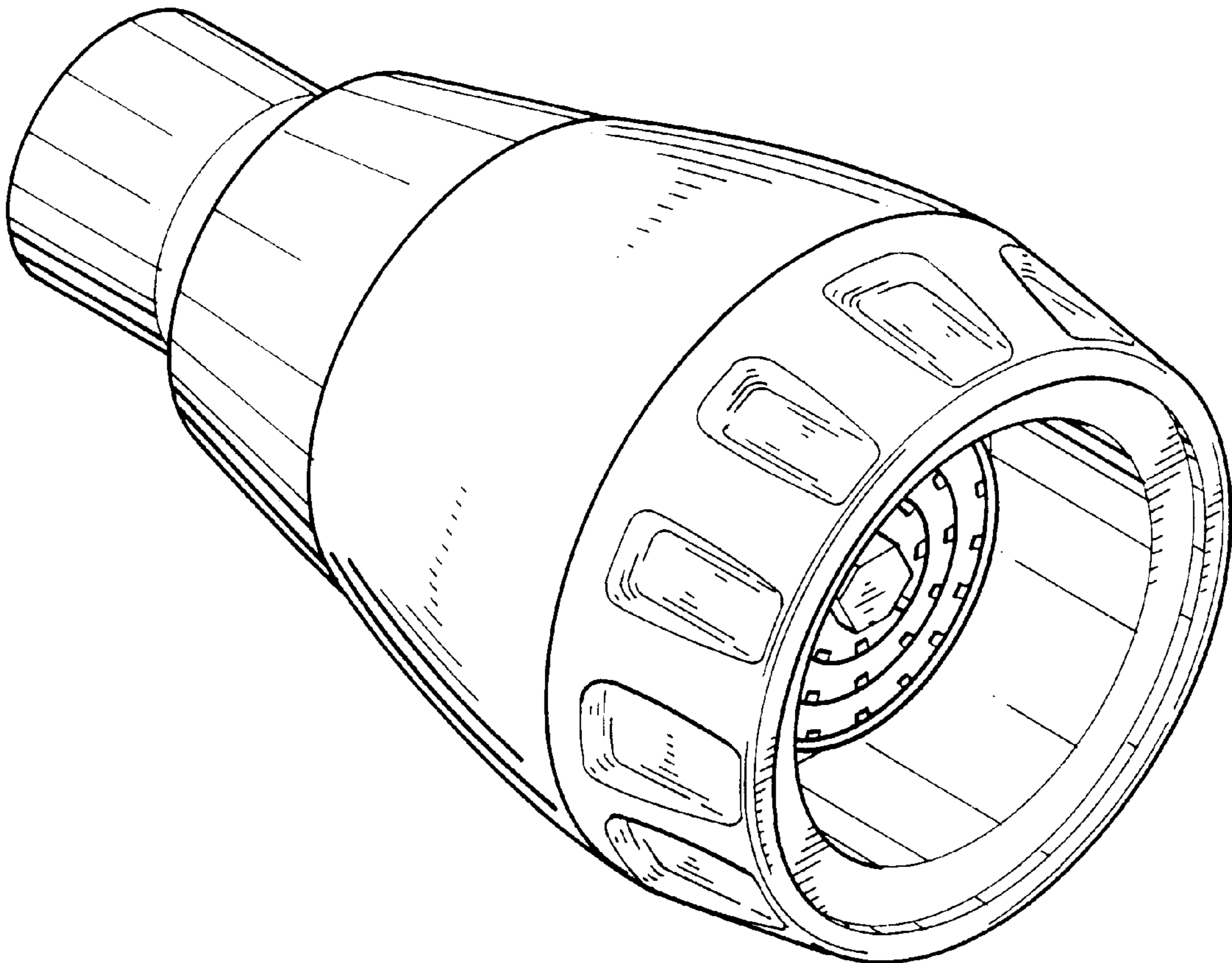
FIG. 7 is a bottom view thereof.

[56] **References Cited**

U.S. PATENT DOCUMENTS

D. 188,644	8/1960	Kohler	D23/229
D. 266,454	10/1982	Miller	D23/229
D. 268,052	2/1983	Eadie	D23/229
D. 299,050	12/1988	Gonzalez	D23/229

1 Claim, 4 Drawing Sheets



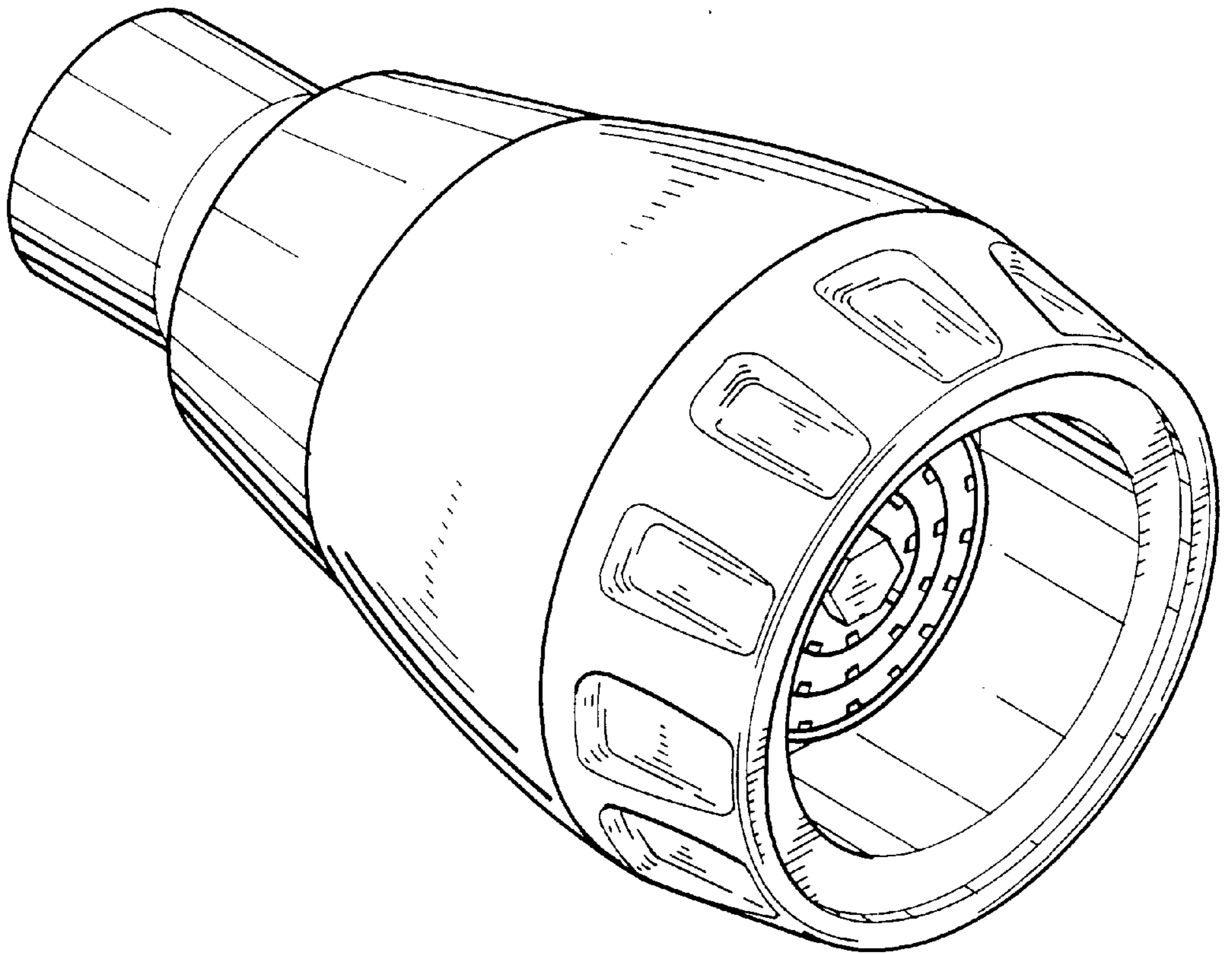


FIG. 1

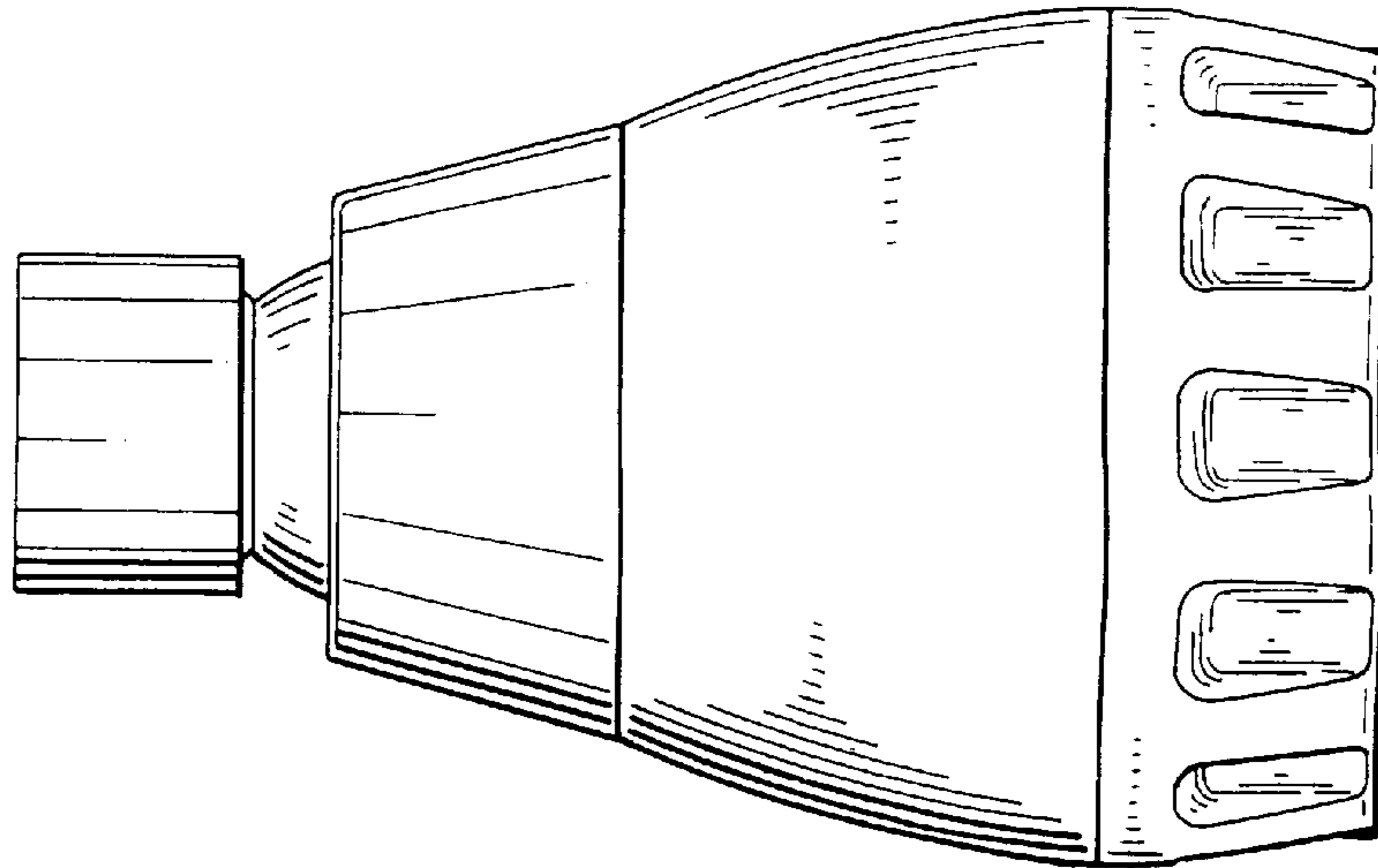


FIG. 2

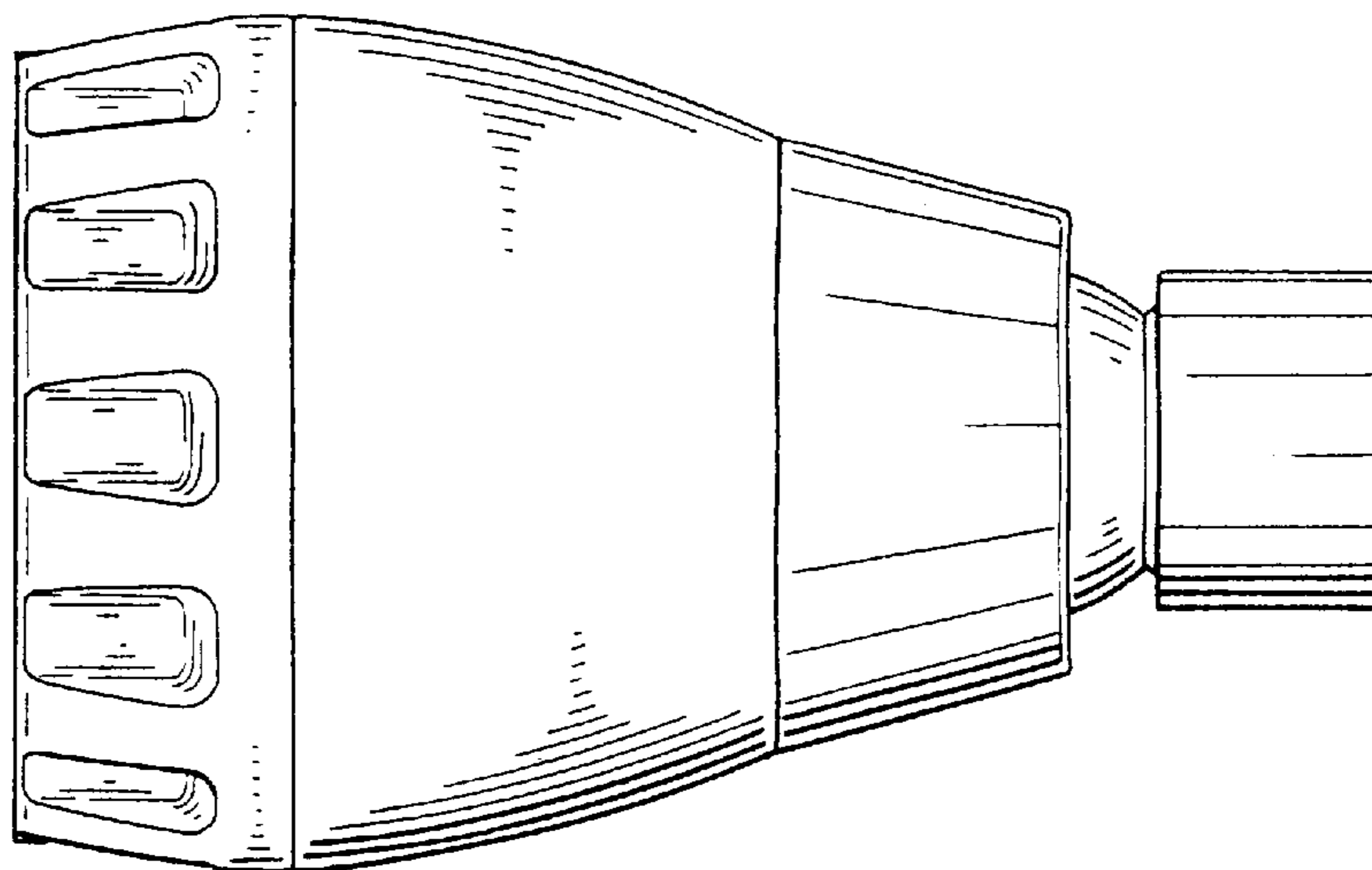


FIG. 3

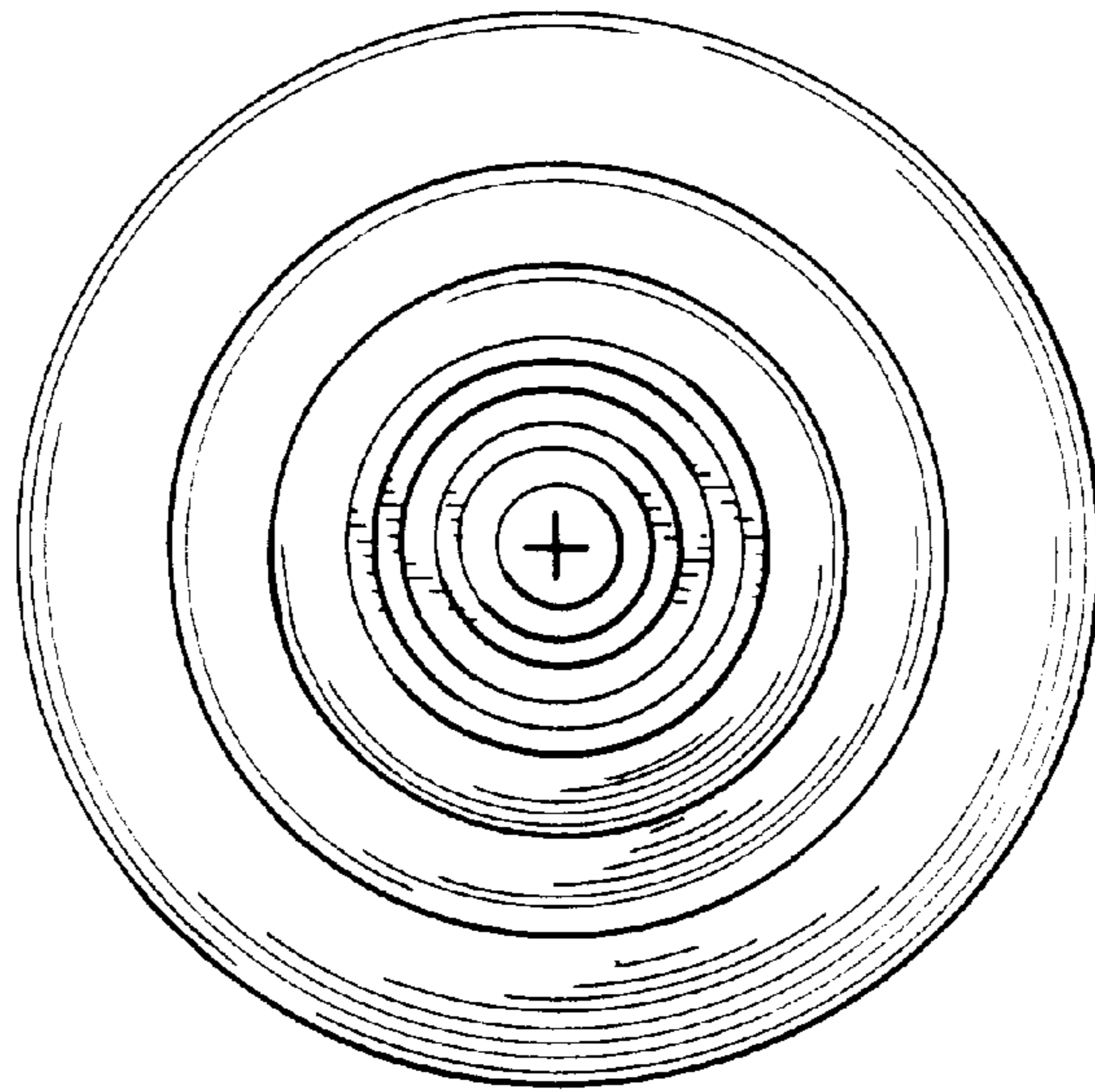


FIG. 4

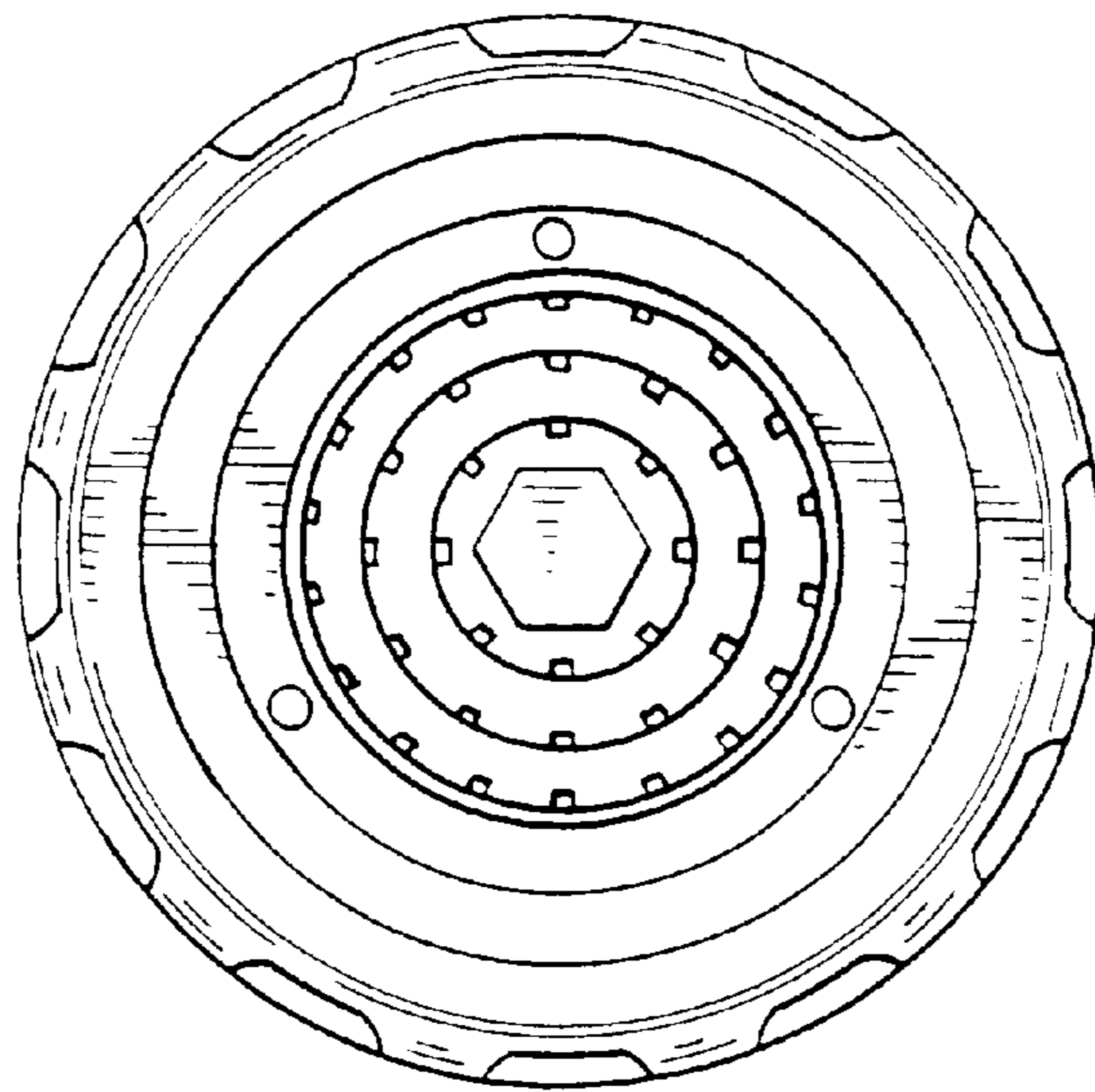


FIG. 5

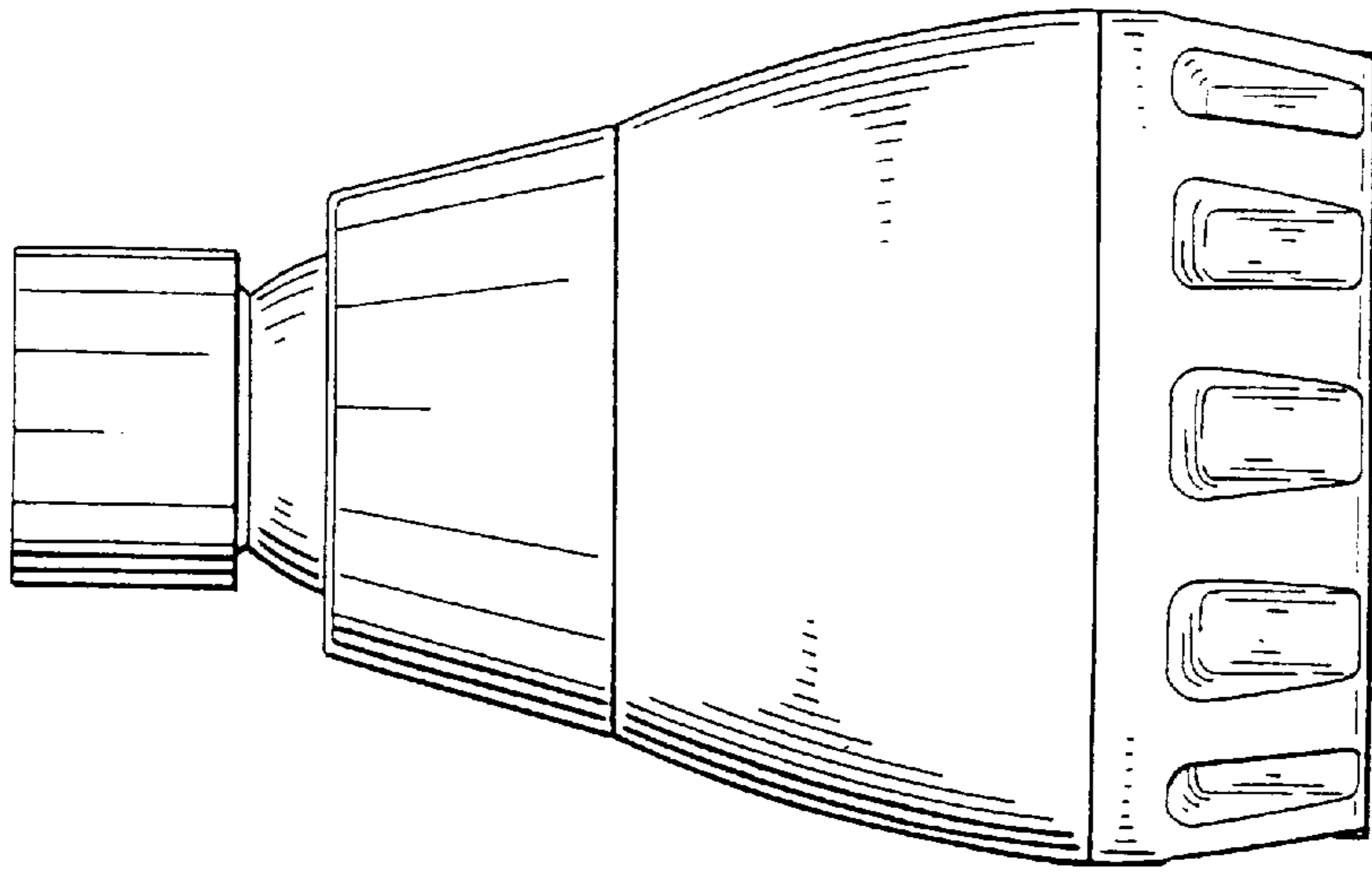


FIG. 6

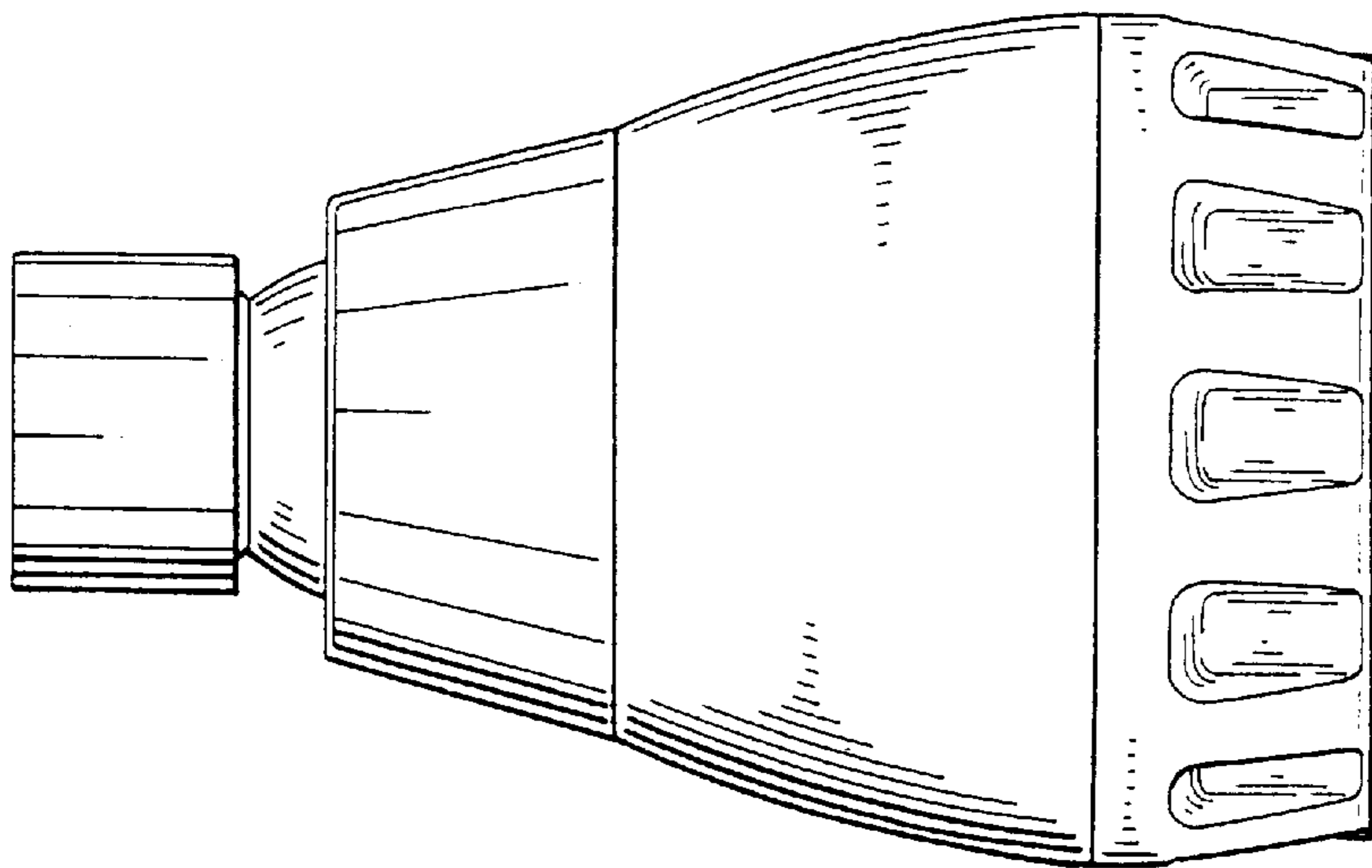


FIG. 7