



US00D411605S

United States Patent [19]

Acosta

[11] Patent Number: **Des. 411,605**

[45] Date of Patent: **** Jun. 29, 1999**

[54] **PYRAMID WATERFALL**

D. 379,843 6/1997 Wood D23/201
3,901,439 8/1975 Willis 239/20

[75] Inventor: **Clinton V. Acosta**, Lawrenceville, Ga.

[73] Assignee: **Acosta Arts**, Lawrenceville, Ga.

[**] Term: **14 Years**

Primary Examiner—Alan P. Douglas
Assistant Examiner—Robin V. Taylor
Attorney, Agent, or Firm—Donald O. Nickey; Standley & Gilcrest

[21] Appl. No.: **29/091,958**

[57] **CLAIM**

[22] Filed: **Aug. 10, 1998**

The ornamental design for a pyramid waterfall, as shown and described above.

[51] **LOC (6) Cl.** **23-01**

DESCRIPTION

[52] **U.S. Cl.** **D23/201**

[58] **Field of Search** D23/200, 201;
D11/157; 239/16, 17, 18, 19, 20, 21

FIG. 1 is a perspective view of the front of the pyramid waterfall of the present invention.

FIG. 2 is a perspective view of the back of the pyramid waterfall of the present invention; and,

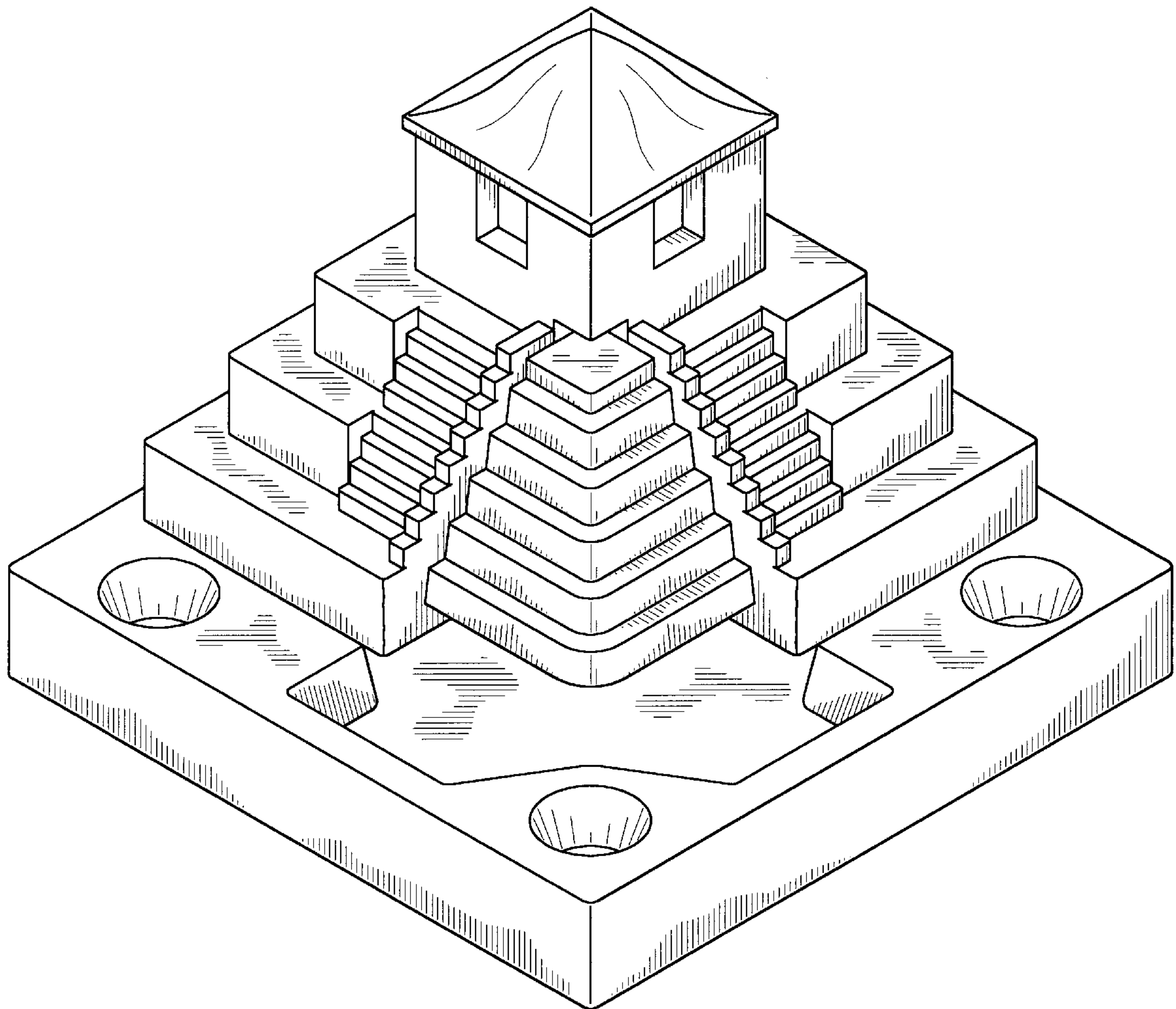
FIG. 3 is a top plan view of the pyramid waterfall of the present invention.

[56] **References Cited**

U.S. PATENT DOCUMENTS

D. 205,595 8/1966 Titus D11/152
D. 255,142 5/1980 Abbott D23/201

1 Claim, 3 Drawing Sheets



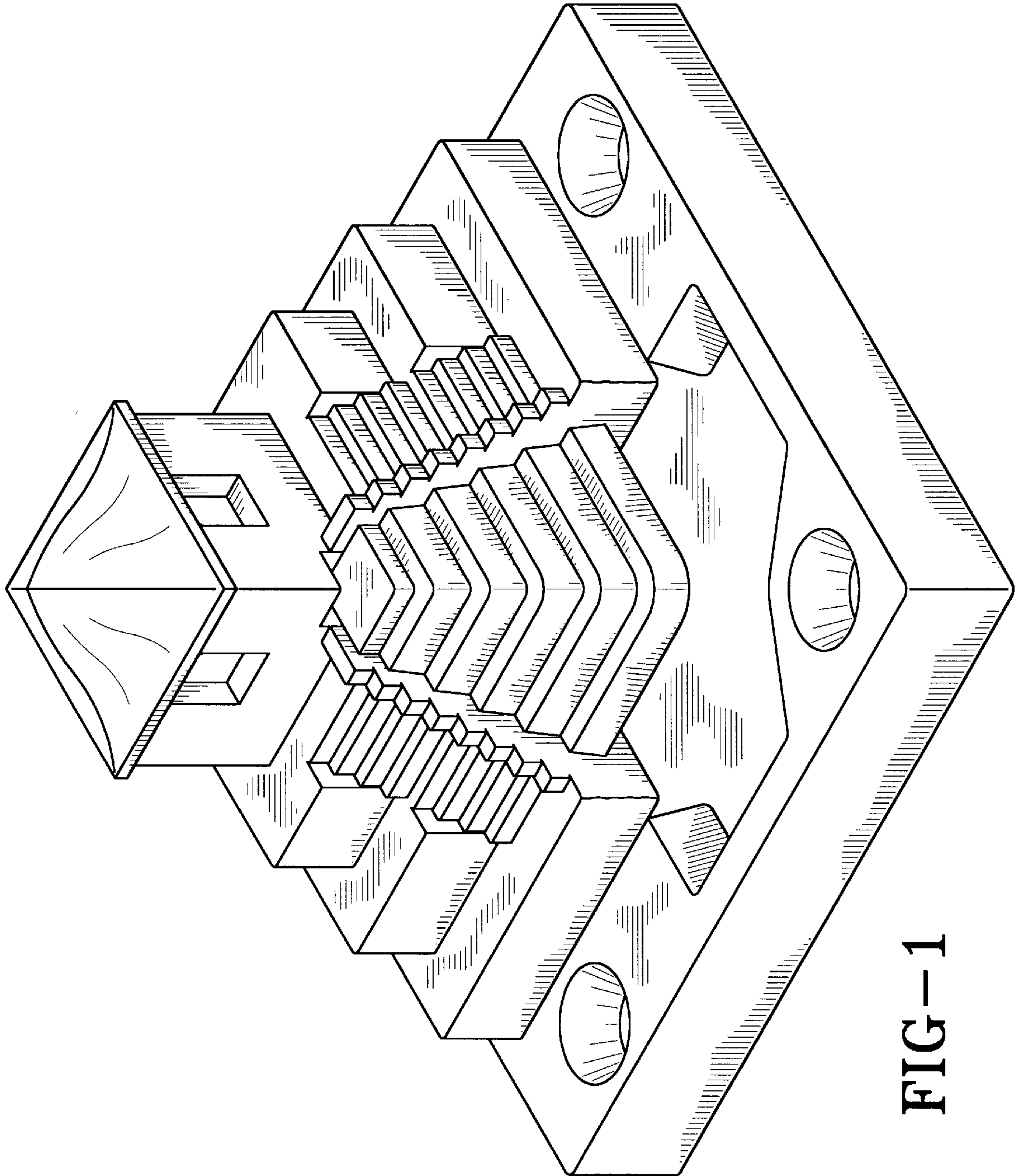


FIG-1

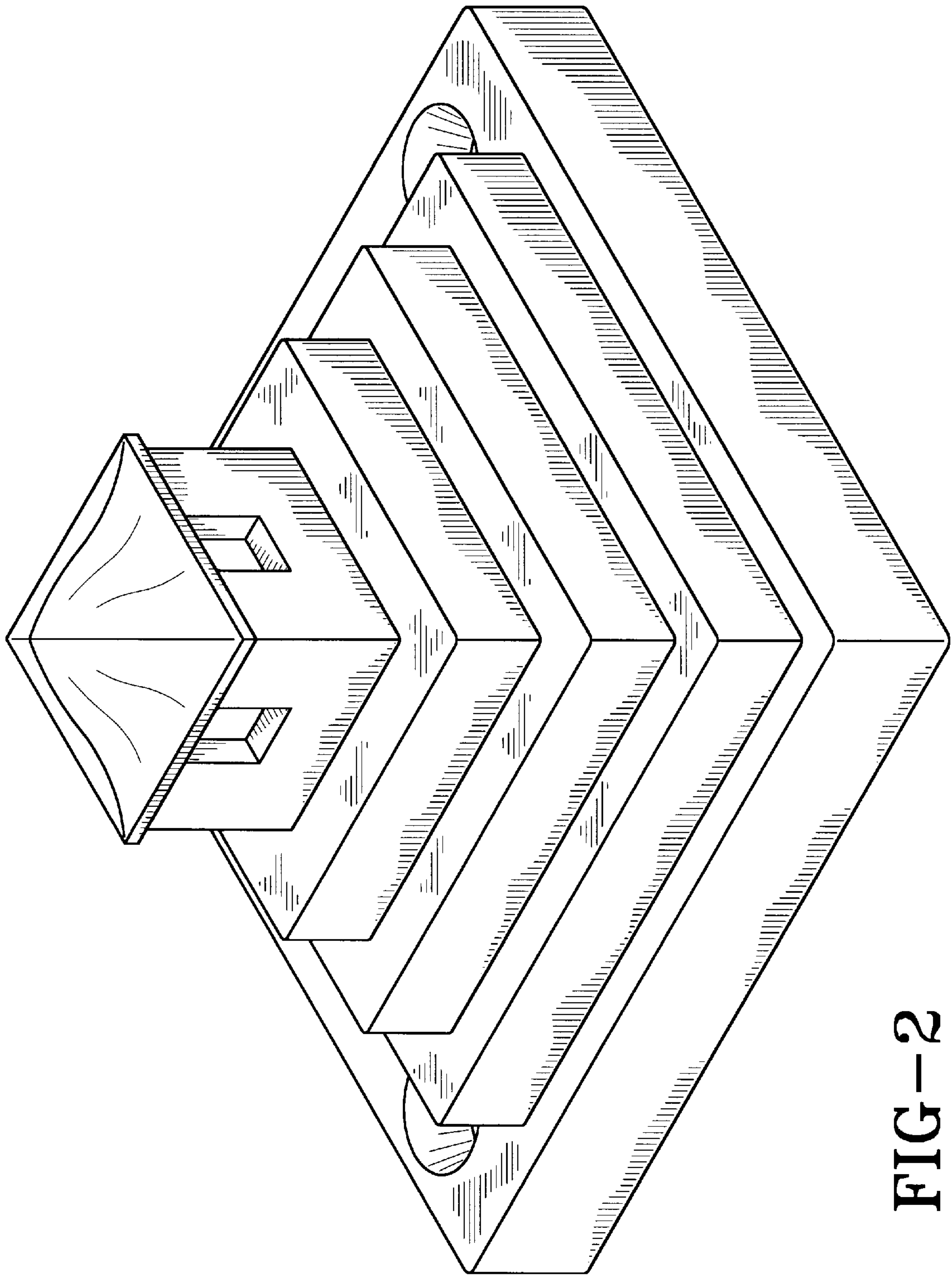


FIG-2

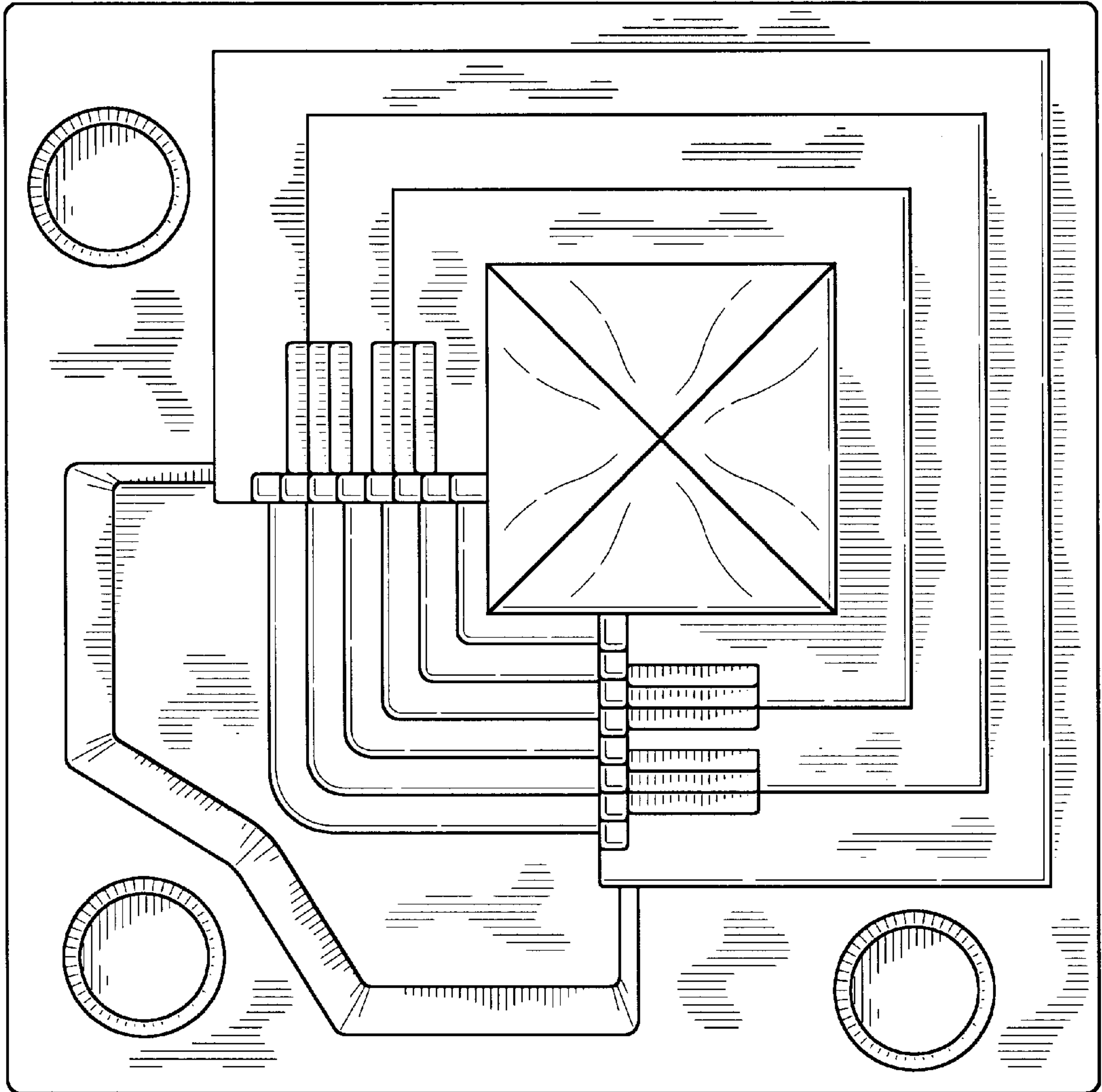


FIG-3