



US00D411604S

United States Patent ^[19] Manus

[11] **Patent Number: Des. 411,604**

[45] **Date of Patent: ** Jun. 29, 1999**

[54] **PLAYGROUND CLIMBER**

[76] Inventor: **Ray G. Manus**, 6334 US Hwy. 221-A,
Mooresboro, N.C. 28114

[**] Term: **14 Years**

[21] Appl. No.: **29/005,459**

[22] Filed: **Mar. 5, 1993**

Related U.S. Application Data

[62] Division of application No. 07/509,617, Apr. 16, 1990.

[51] **LOC (6) Cl.** **21-03**

[52] **U.S. Cl.** **D21/826**

[58] **Field of Search** D21/244, 245,
D21/240, 814, 826, 827; 472/2; 482/35,
36, 37, 148

[56] References Cited

U.S. PATENT DOCUMENTS

D. 177,871	5/1956	Martens	D21/245
D. 218,456	8/1970	Dattner	D21/245
D. 227,792	7/1973	Henning et al.	D21/245 X
1,471,465	10/1923	Hinton	D21/245 X
3,211,452	10/1965	Ahrens	482/35
3,730,520	5/1973	Willis	D21/245 X
3,850,428	11/1974	Zuber	482/36
4,580,777	4/1986	Johnson	D21/245 X

FOREIGN PATENT DOCUMENTS

2026417	12/1971	Germany	482/35
1405885	9/1975	United Kingdom	482/35

OTHER PUBLICATIONS

Popular Science, Jul. 1982, pp. 88 and 96.

Mexico Forge, 1984, p. 62 as shown.

Jamison, 1965, p. 63 as shown.

General Playground Eqpt., 1948, p. 27 Bike Rack, top of the page.

Primary Examiner—Prabhakar G. Deshmukh

[57] CLAIM

The ornamental design for the playground climber, as shown and described.

DESCRIPTION

FIG. 1 is a perspective view of a playground climber showing my new design;

FIG. 2 is a front elevational view thereof;

FIG. 3 is a top plan view thereof;

FIG. 4 is a right side elevational view thereof; the left side elevational view being a mirror image thereof;

FIG. 5 is a perspective view of a second embodiment of FIG. 1;

FIG. 6 is a right elevational view of FIG. 5; the left side elevational view being a mirror image thereof;

FIG. 7 is a top plan view of FIG. 5;

FIG. 8 is a rear elevational view thereof;

FIG. 9 is a perspective view of a third embodiment of FIG. 1;

FIG. 10 is a right side elevational view of FIG. 9; the left side elevational view being a mirror image thereof.

FIG. 11 is a top plan view of FIG. 9;

FIG. 12 is a rear elevational view of FIG. 9;

FIG. 13 is a perspective view of a fourth embodiment of FIG. 1;

FIG. 14 is a right side elevational view of FIG. 13; the left side elevational view being a mirror image thereof;

FIG. 15 is a top plan view of FIG. 13; and,

FIG. 16 is a front elevational view of FIG. 13.

1 Claim, 16 Drawing Sheets

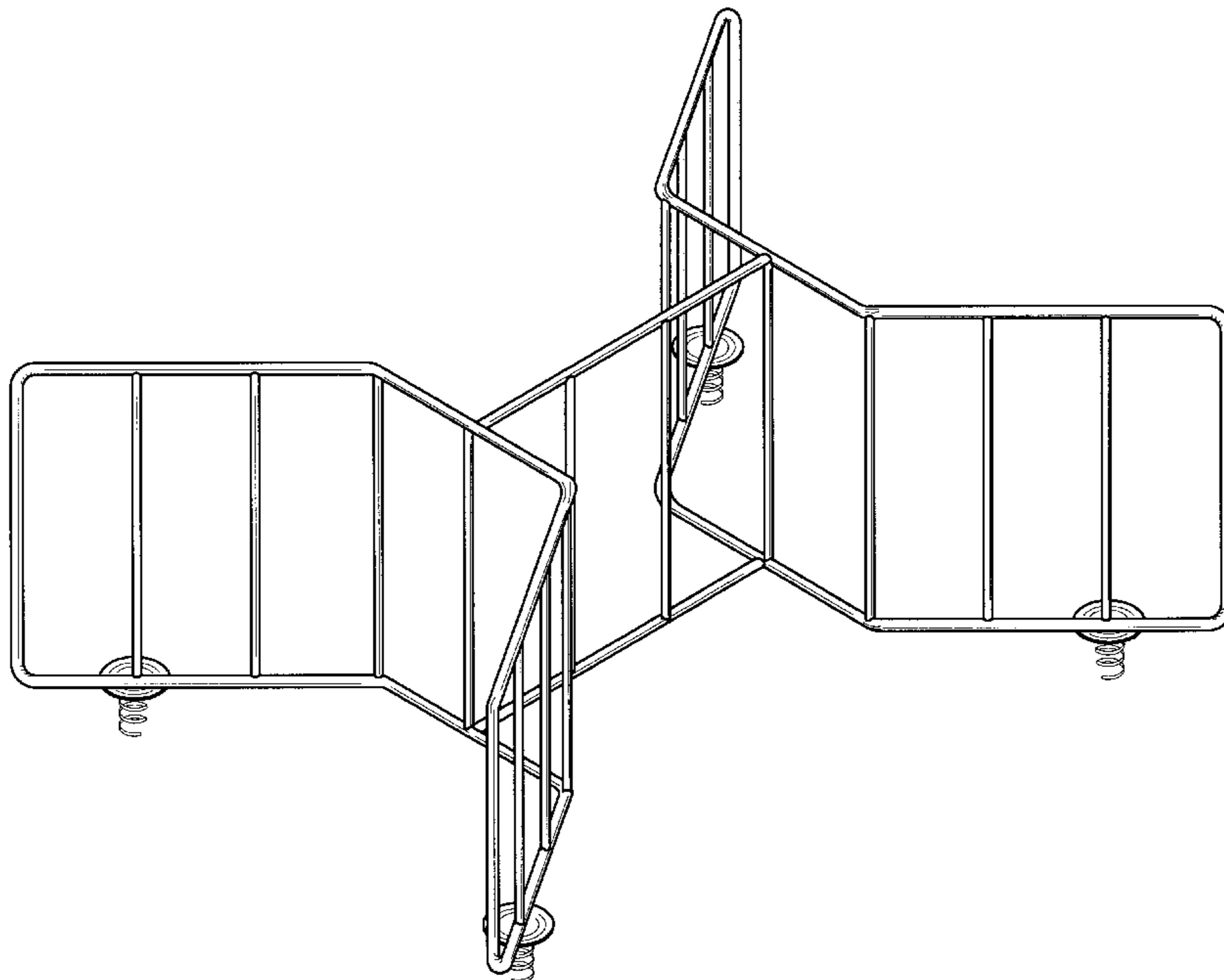


FIG. 1

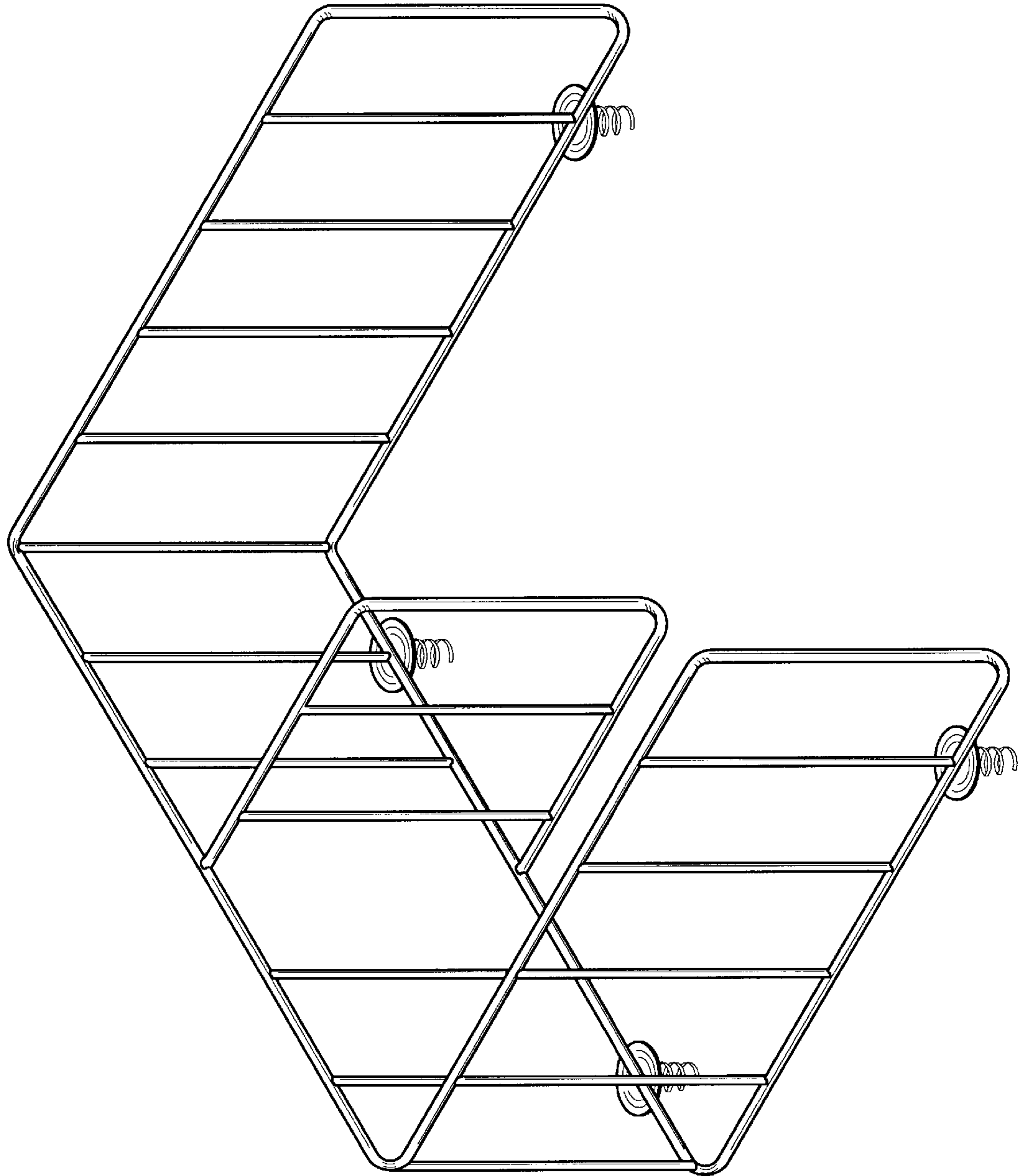


FIG. 2

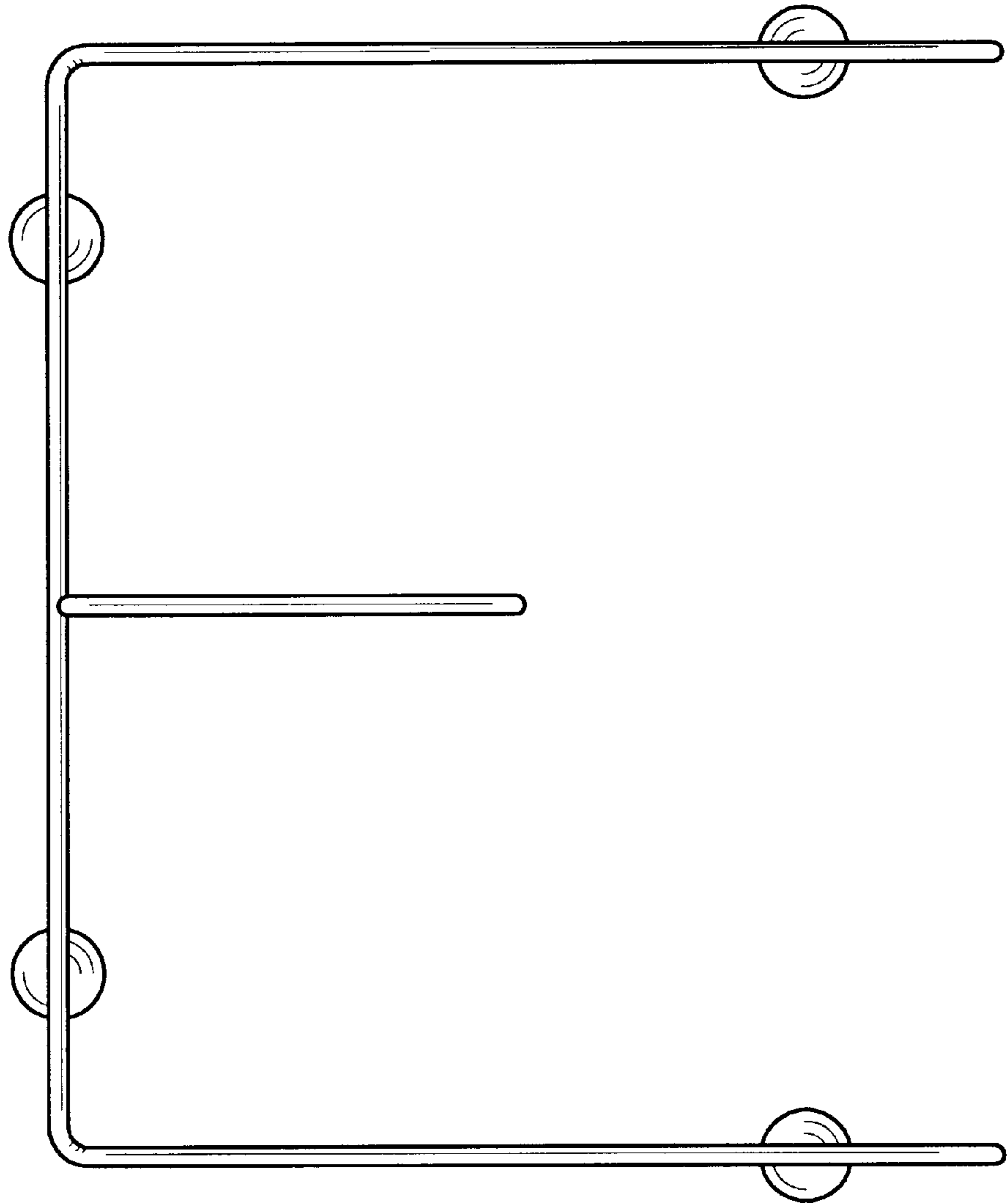


FIG. 3

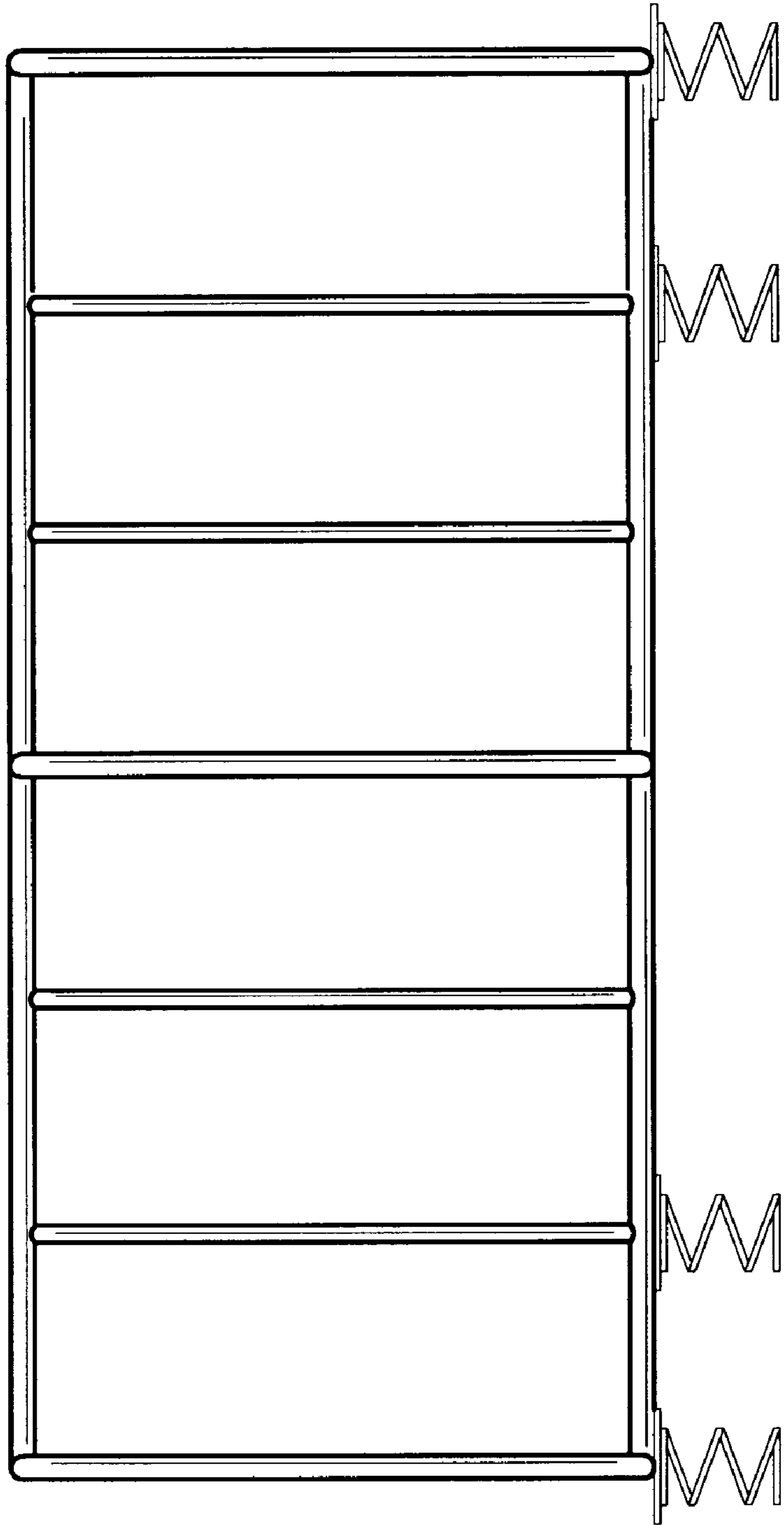


FIG. 4

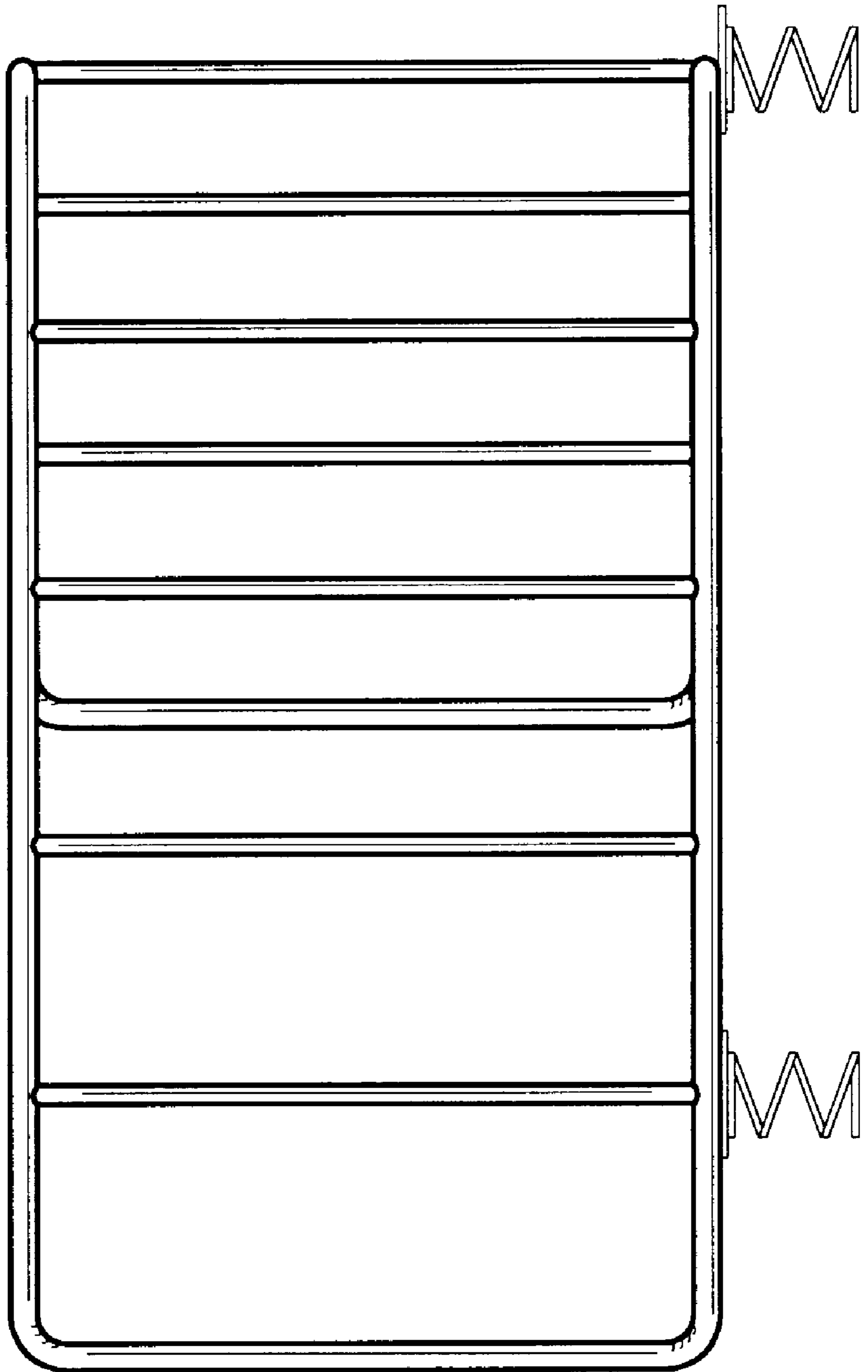


FIG. 5

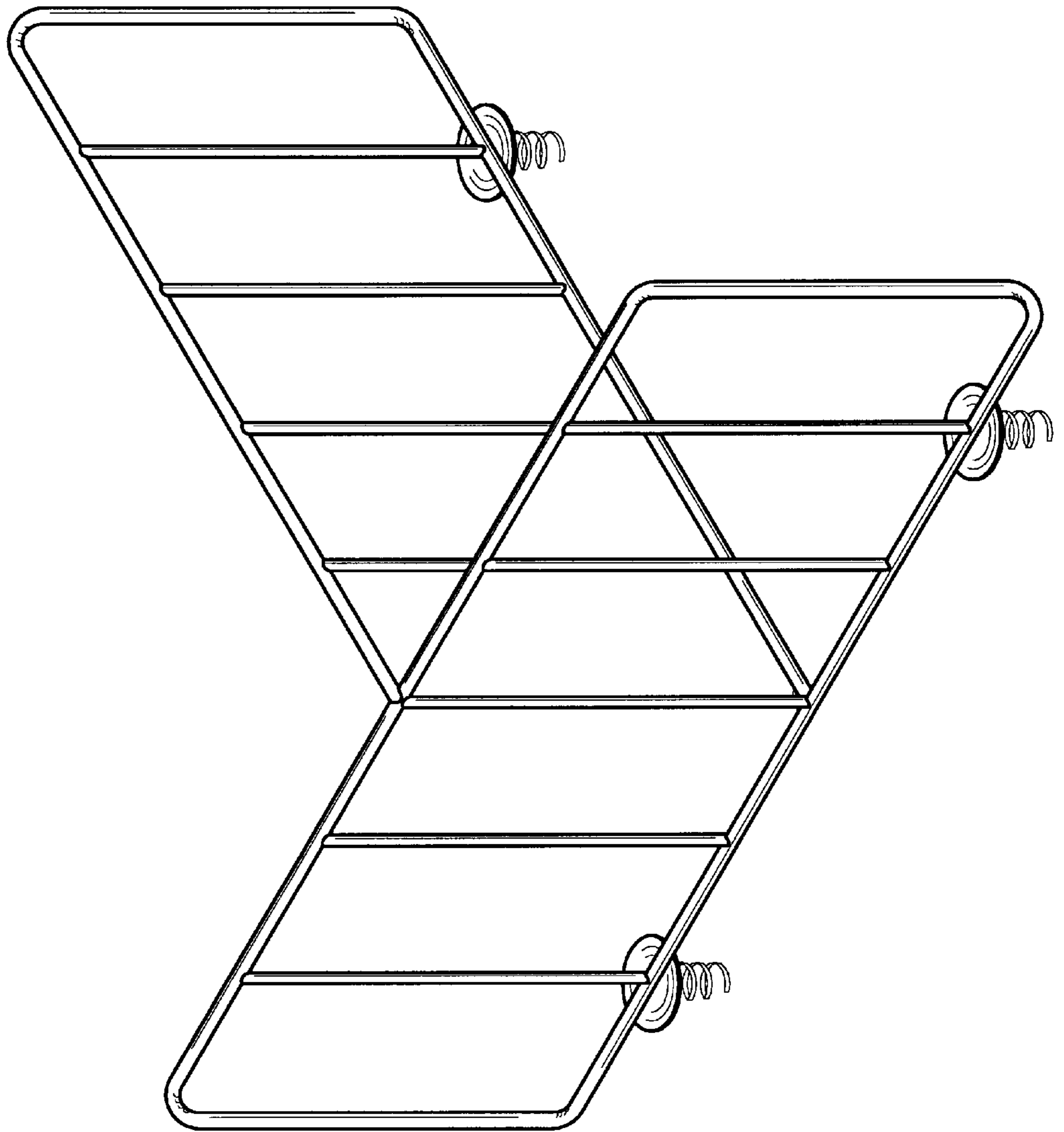


FIG. 6

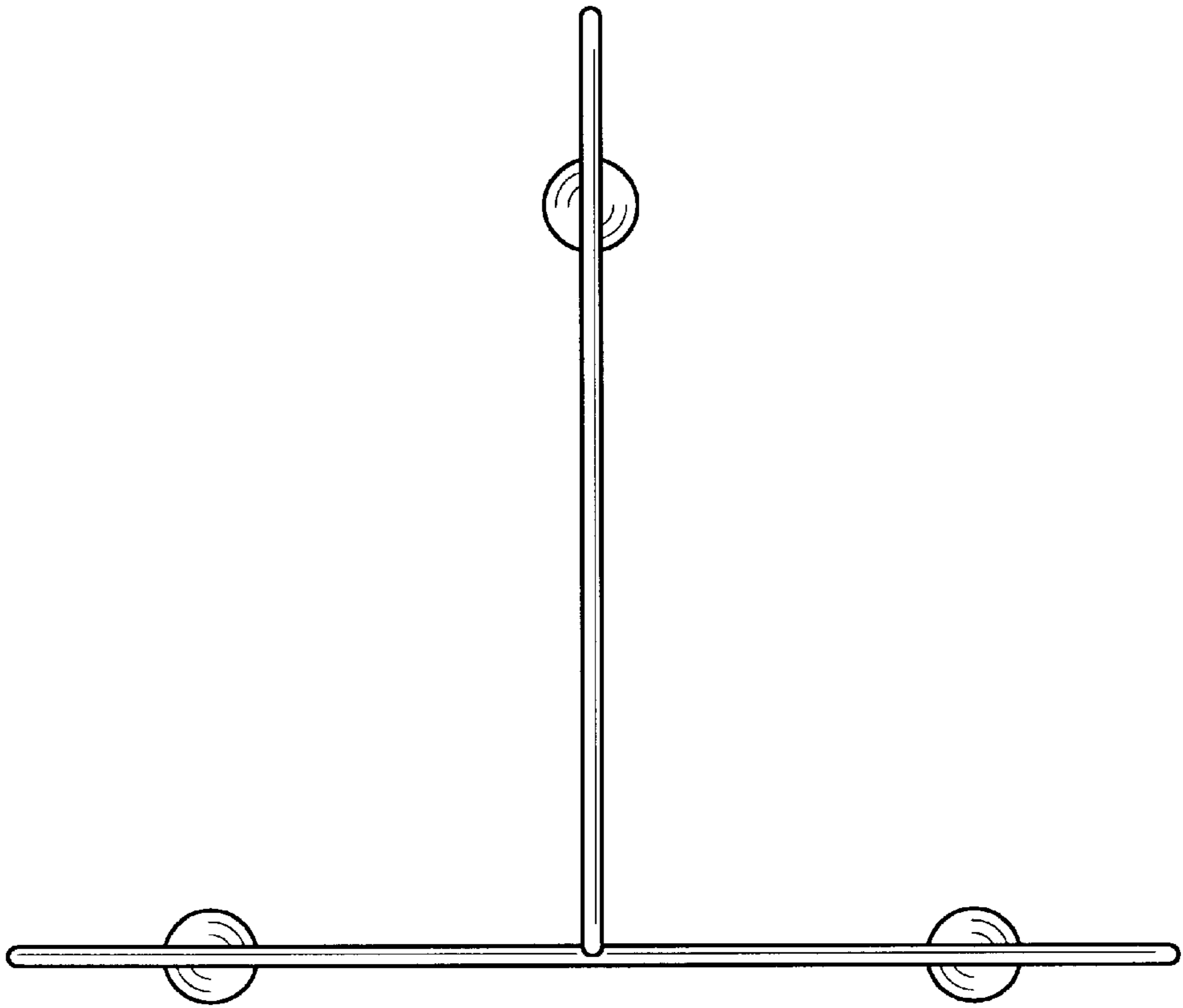


FIG. 7

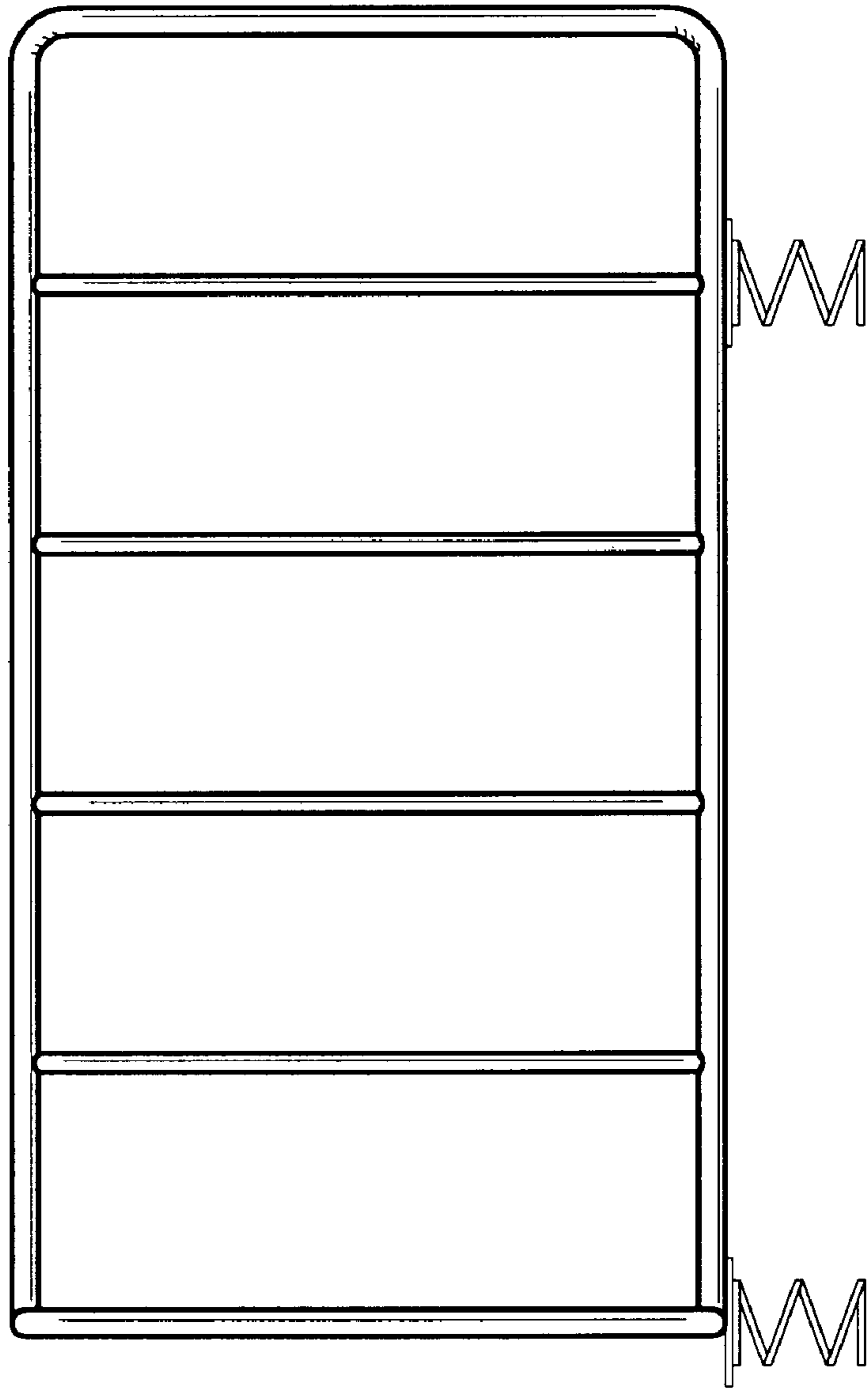


FIG. 8

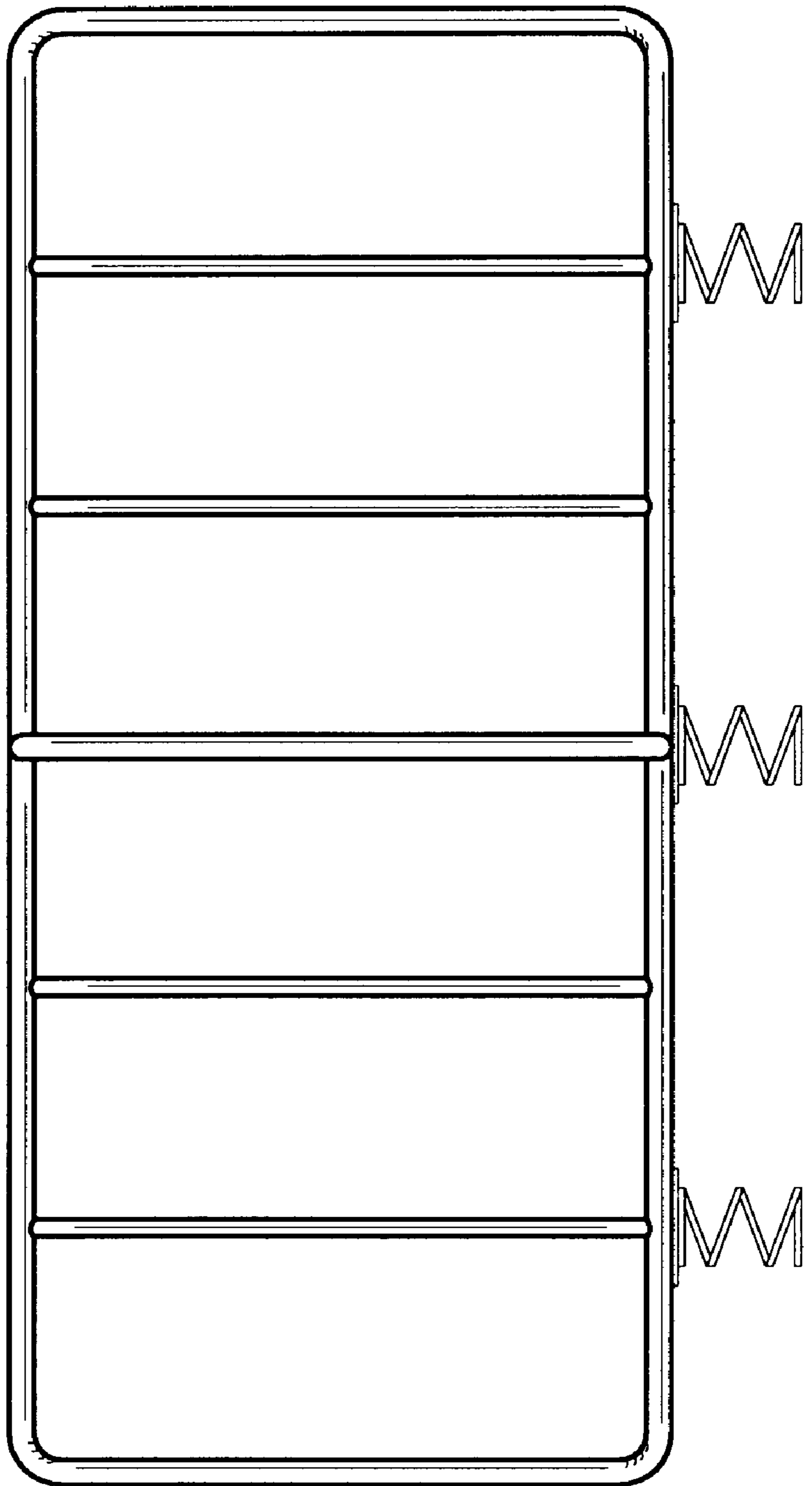
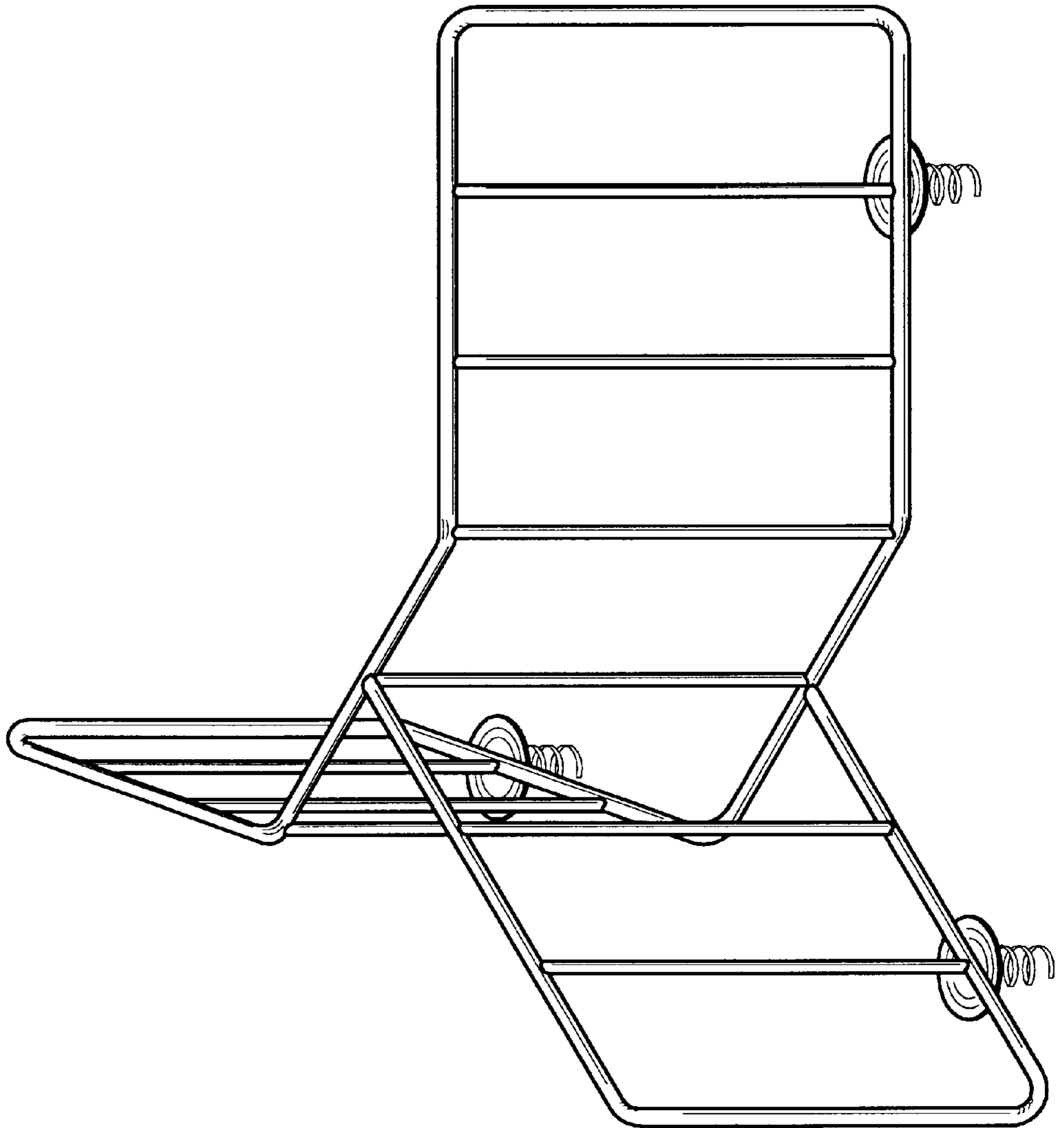


FIG. 9



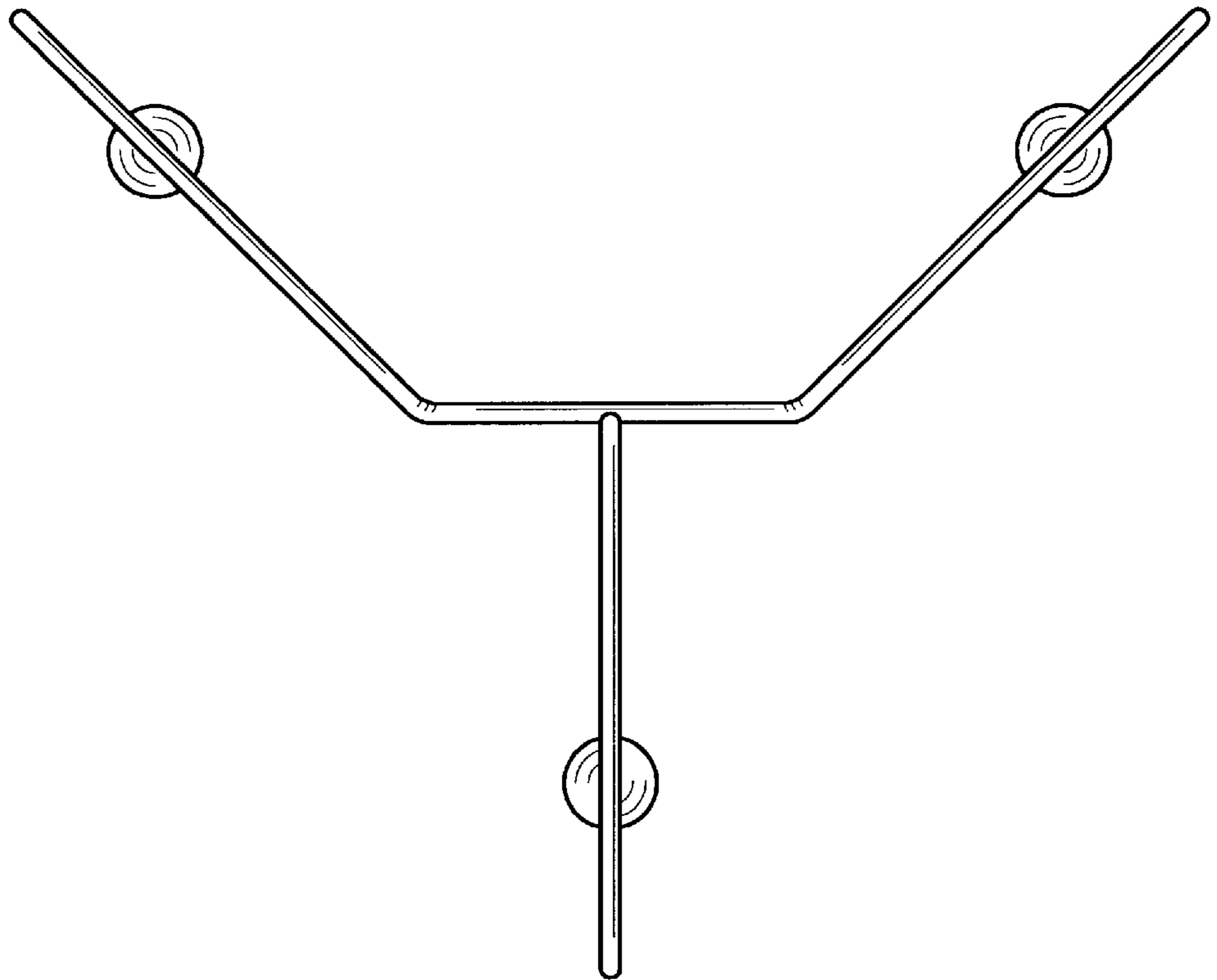


FIG. 10

FIG. 11

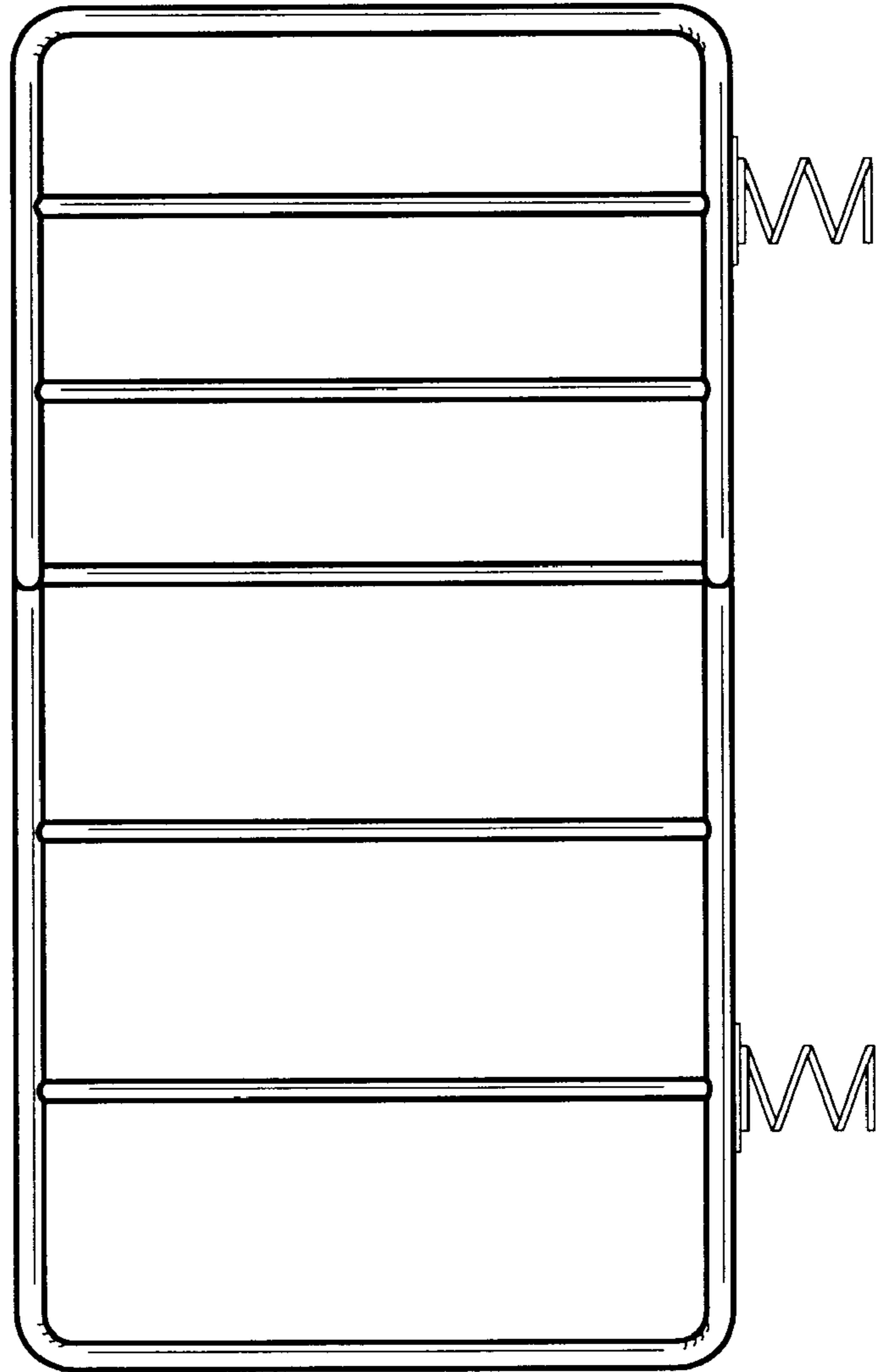


FIG. 12

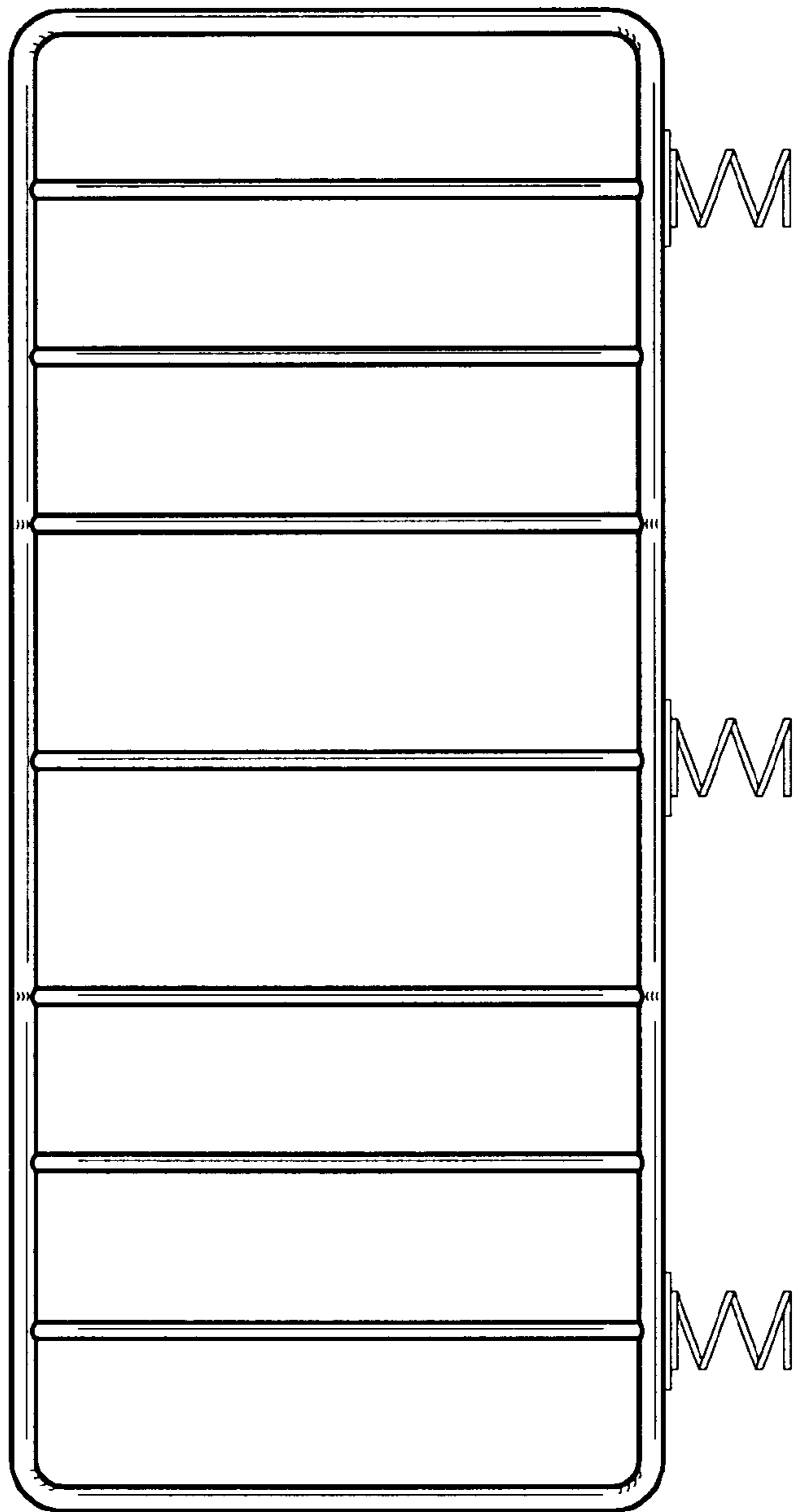


FIG. 13

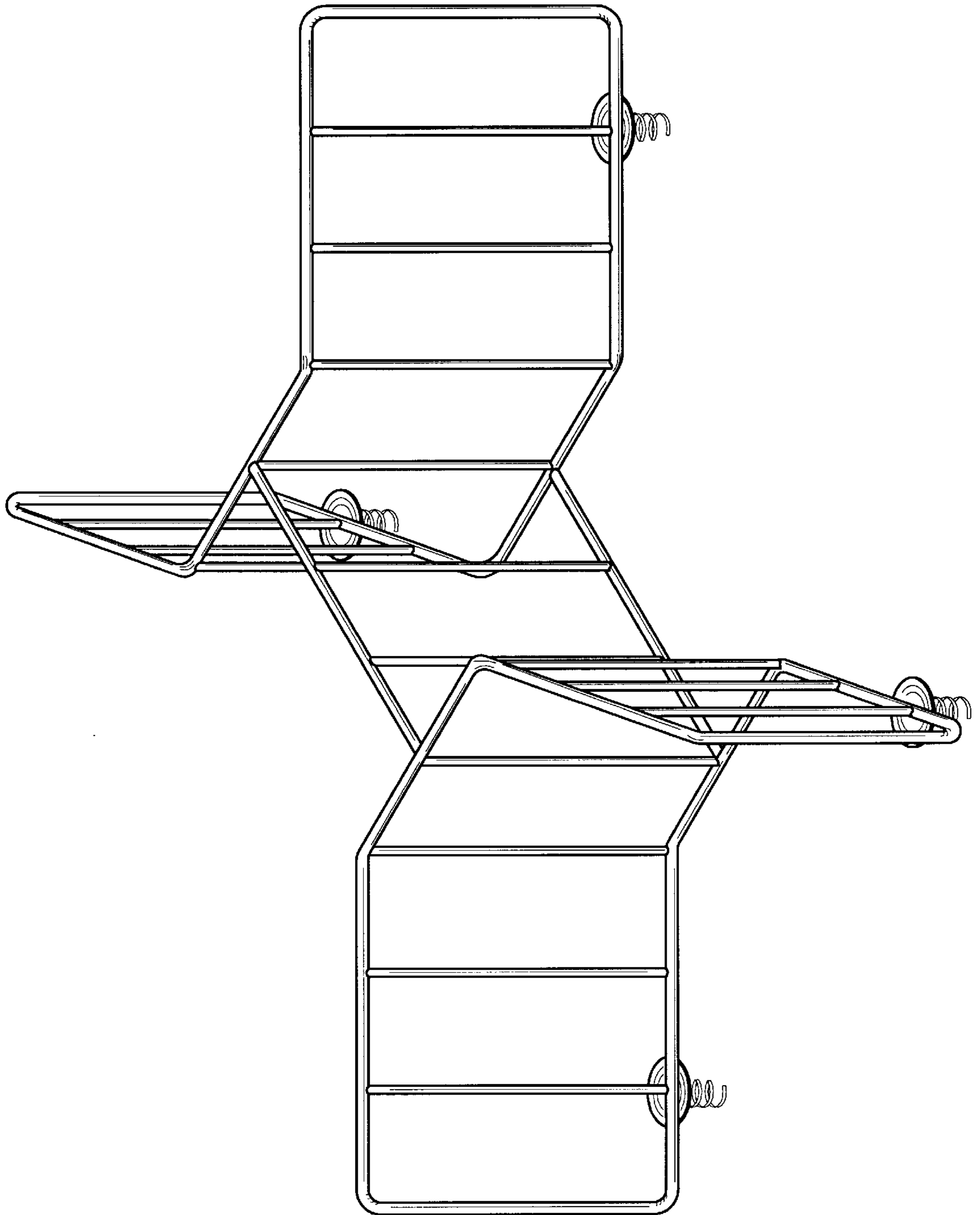


FIG. 14

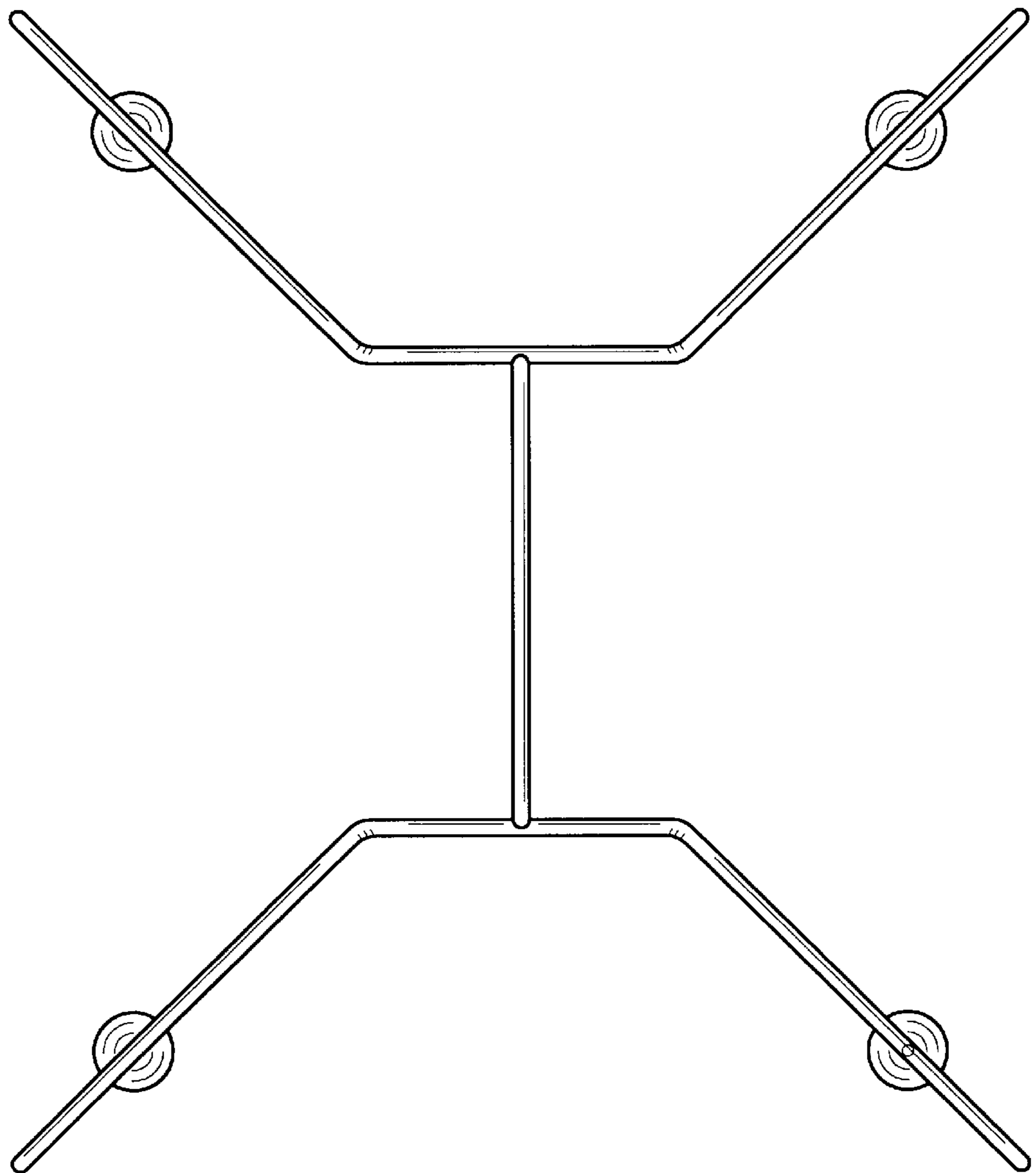


FIG. 15

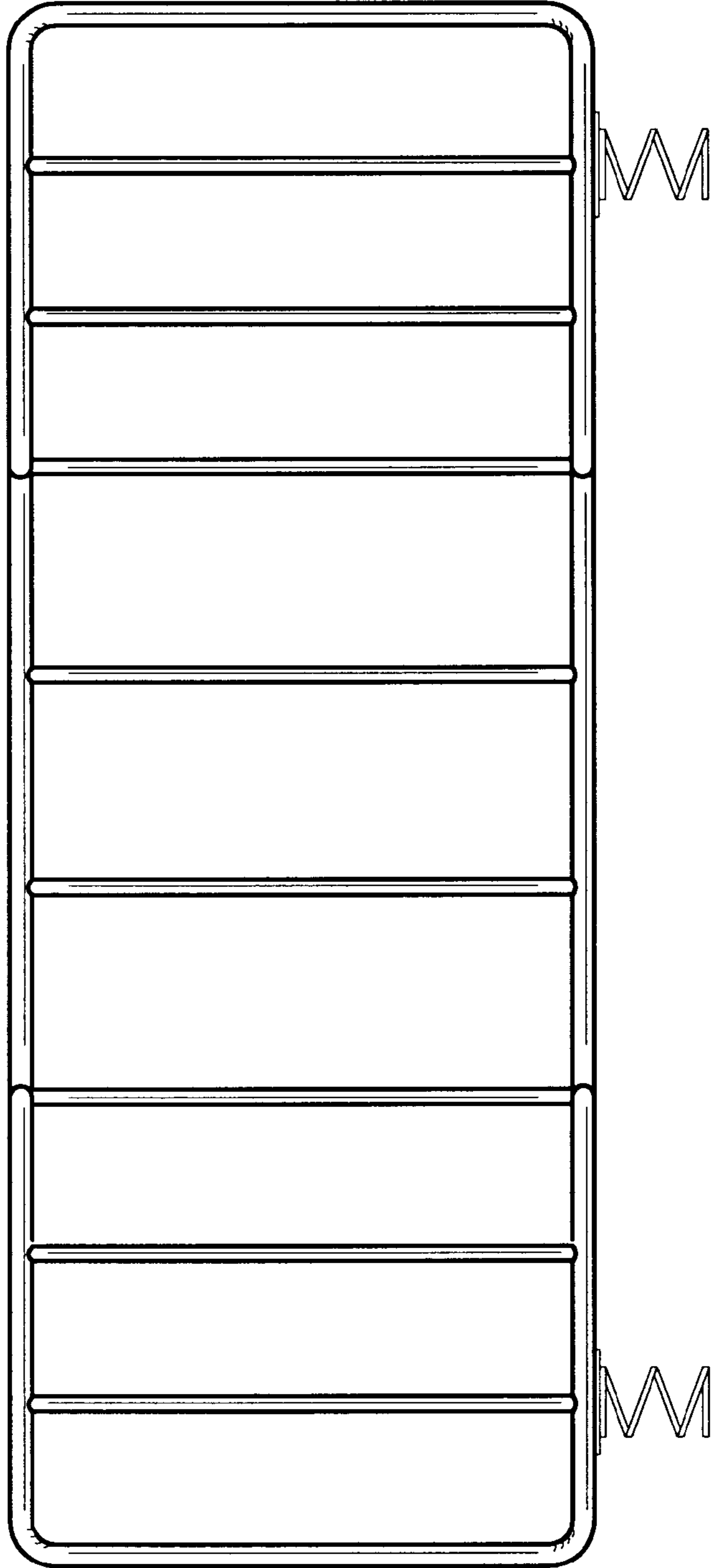


FIG. 16

