



US00D411592S

United States Patent [19] Krog

[11] Patent Number: Des. 411,592

[45] Date of Patent: ** Jun. 29, 1999

[54] TOY BUILDING ELEMENT

[75] Inventor: Ricco Reinholdt Krog, Vejen, Denmark

[73] Assignee: INTERLEGO AG, Baar, Switzerland

[**] Term: 14 Years

[21] Appl. No.: 29/093,744

[22] Filed: Sep. 17, 1998

[30] Foreign Application Priority Data

Mar. 18, 1998 [DK] Denmark MA 1998 0297

[51] LOC (6) Cl. 21-01

[52] U.S. Cl. D21/504

[58] Field of Search D21/483-505;
D25/113-118; 446/85, 93-96, 102-107,
110-113, 120-122, 124, 128

[56] References Cited

U.S. PATENT DOCUMENTS

D. 149,347	4/1948	Geib	D21/503
D. 159,255	7/1950	Decker, Sr. et al.	D25/114
D. 304,221	10/1989	Poulsen	.	
D. 317,955	7/1991	Olsen	D21/502
D. 355,454	2/1995	Glynn	D21/486
D. 374,257	10/1996	Schmidt et al.	D21/486

D. 374,465	10/1996	Schmidt	D21/486
3,611,609	10/1971	Reinhard	446/128
4,547,160	10/1985	Labelle	446/103
4,690,656	9/1987	Friedman	446/95
4,998,903	3/1991	Bolli et al.	446/121
5,645,463	7/1997	Olsen	446/104

OTHER PUBLICATIONS

Lego Catalog, p. 43, #5202, 5291, Jan. 1997.

Primary Examiner—Raphael Barkai
Attorney, Agent, or Firm—Kane, Dalsimer, Sullivan,
Kurucz, Levy, Eisele and Richard, LLP

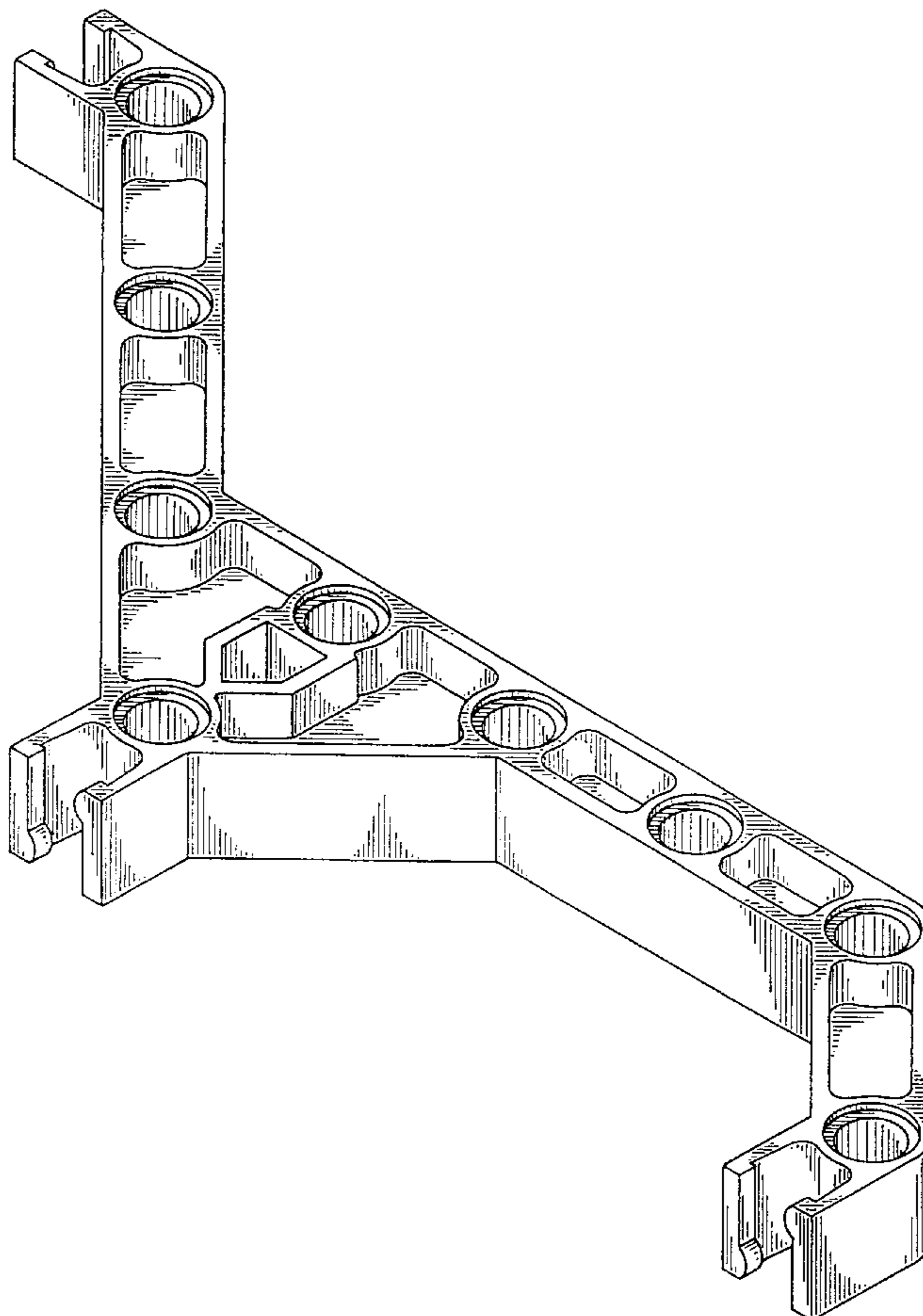
[57] CLAIM

The ornamental design for a toy building element, as shown and described.

DESCRIPTION

FIG. 1 is a top perspective view of the toy building element, FIG. 2 is a top plan view thereof, FIG. 3 is a front elevational view thereof, FIG. 4 is a bottom plan view thereof, FIG. 5 is a right side elevational view thereof, FIG. 6 is a left side elevational view thereof, FIG. 7 is a rear elevational view thereof; and, FIG. 8 is a bottom perspective view thereof.

1 Claim, 5 Drawing Sheets



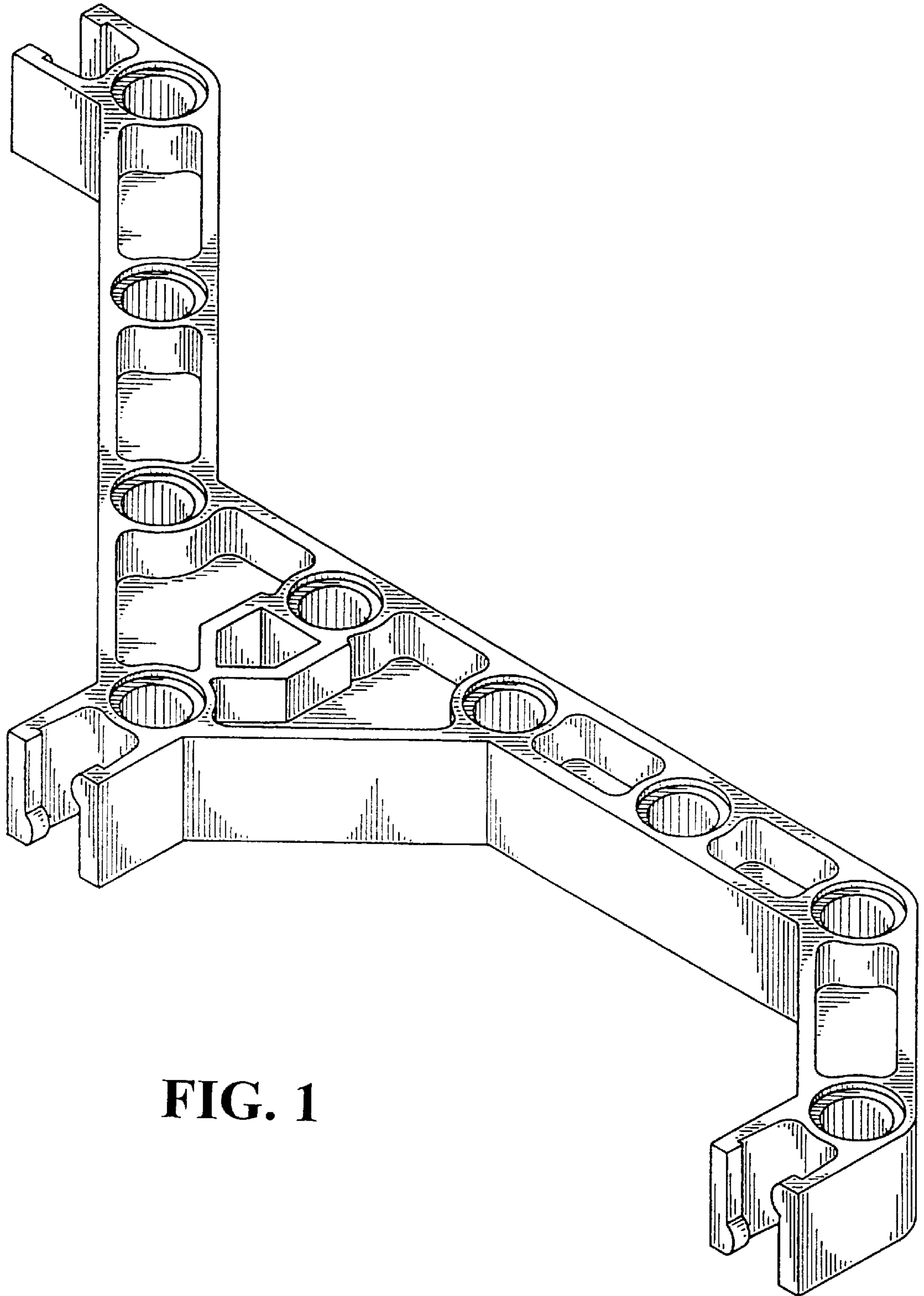


FIG. 1

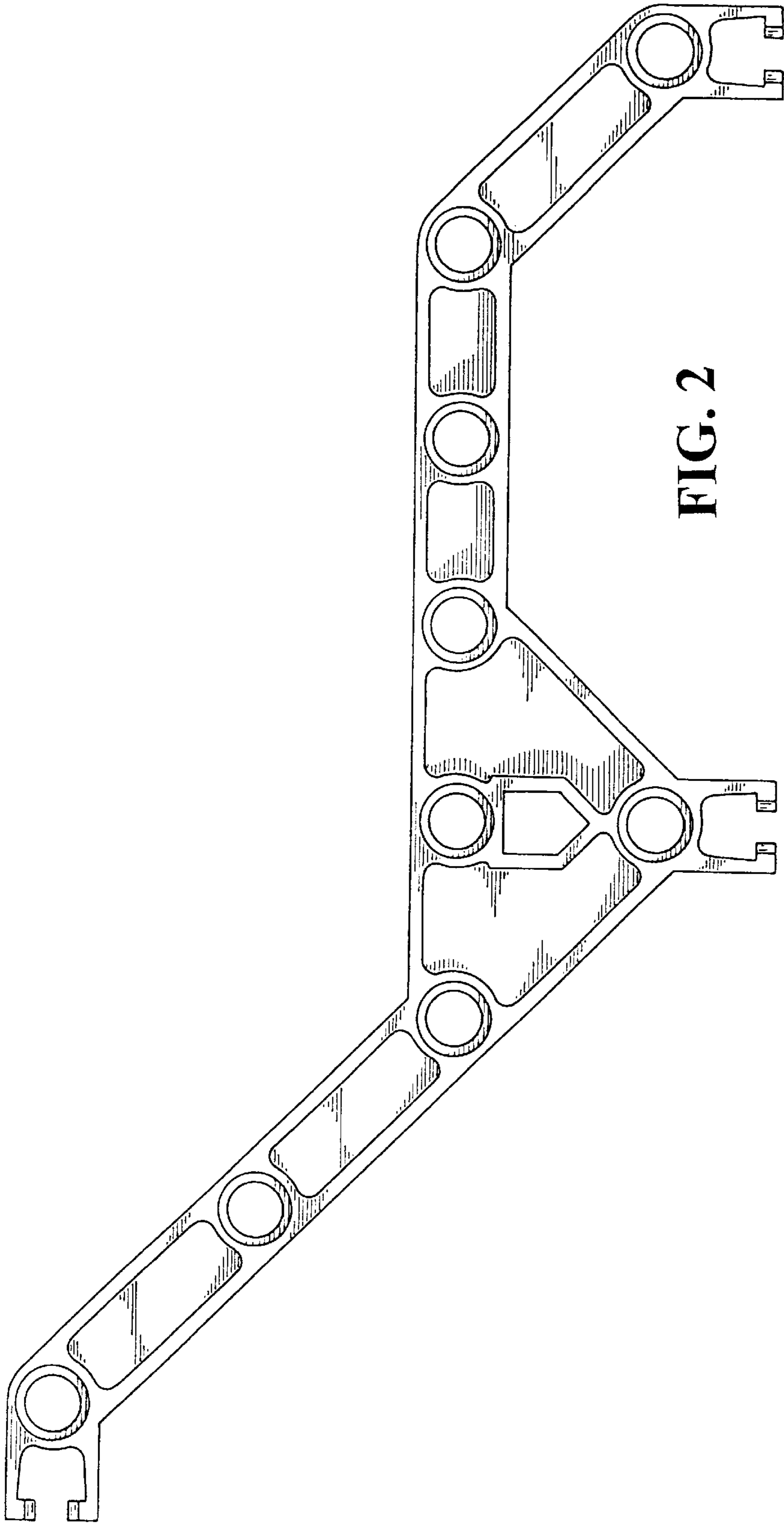


FIG. 2

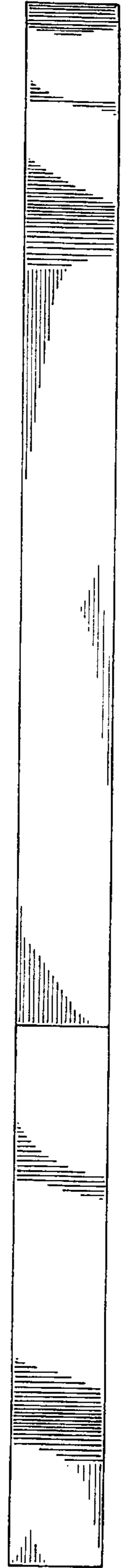


FIG. 7

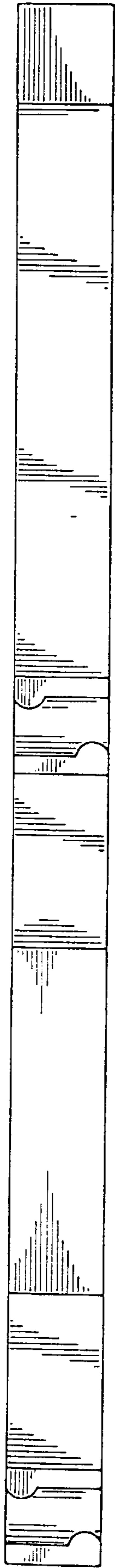


FIG. 3

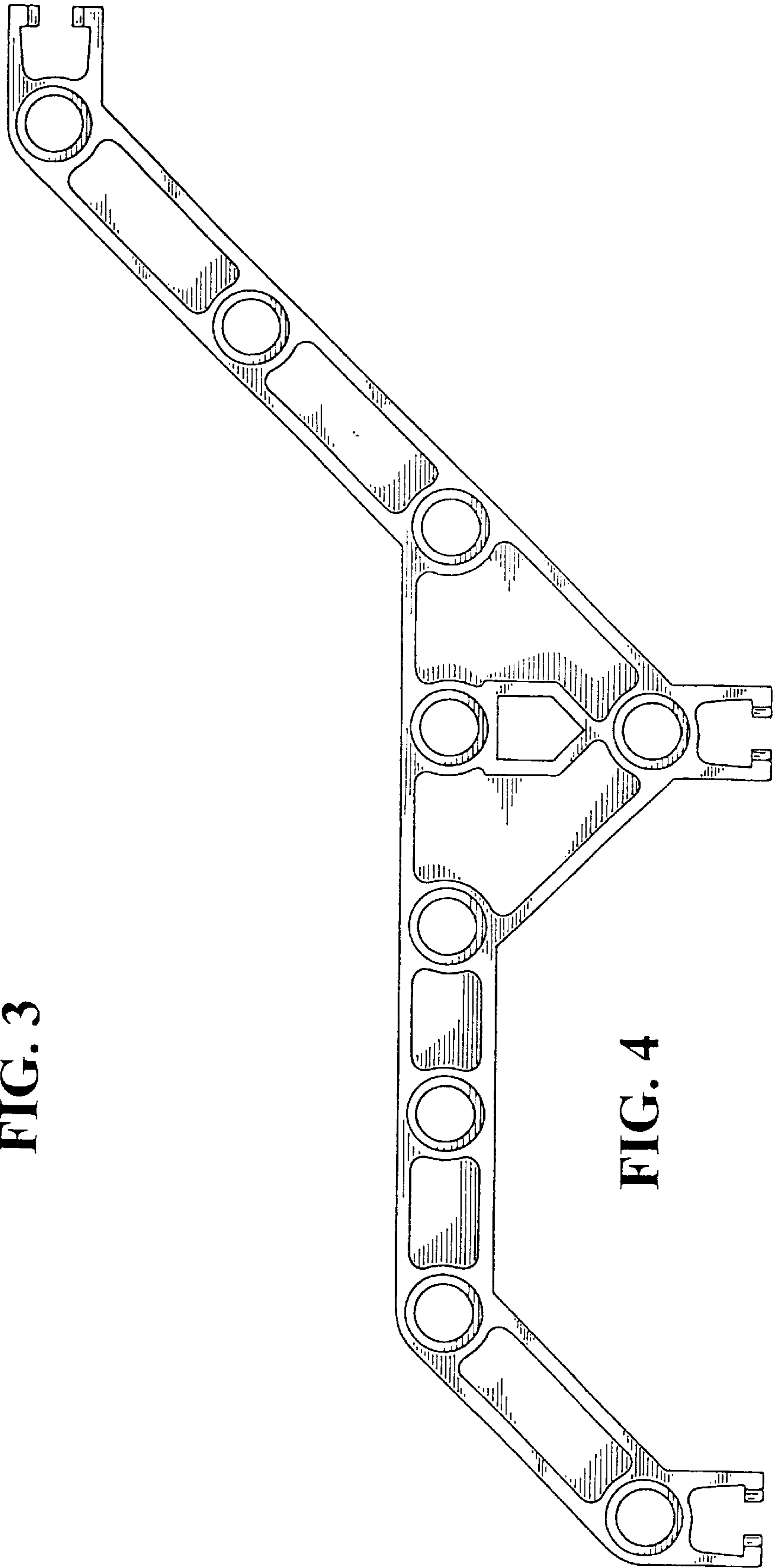


FIG. 4

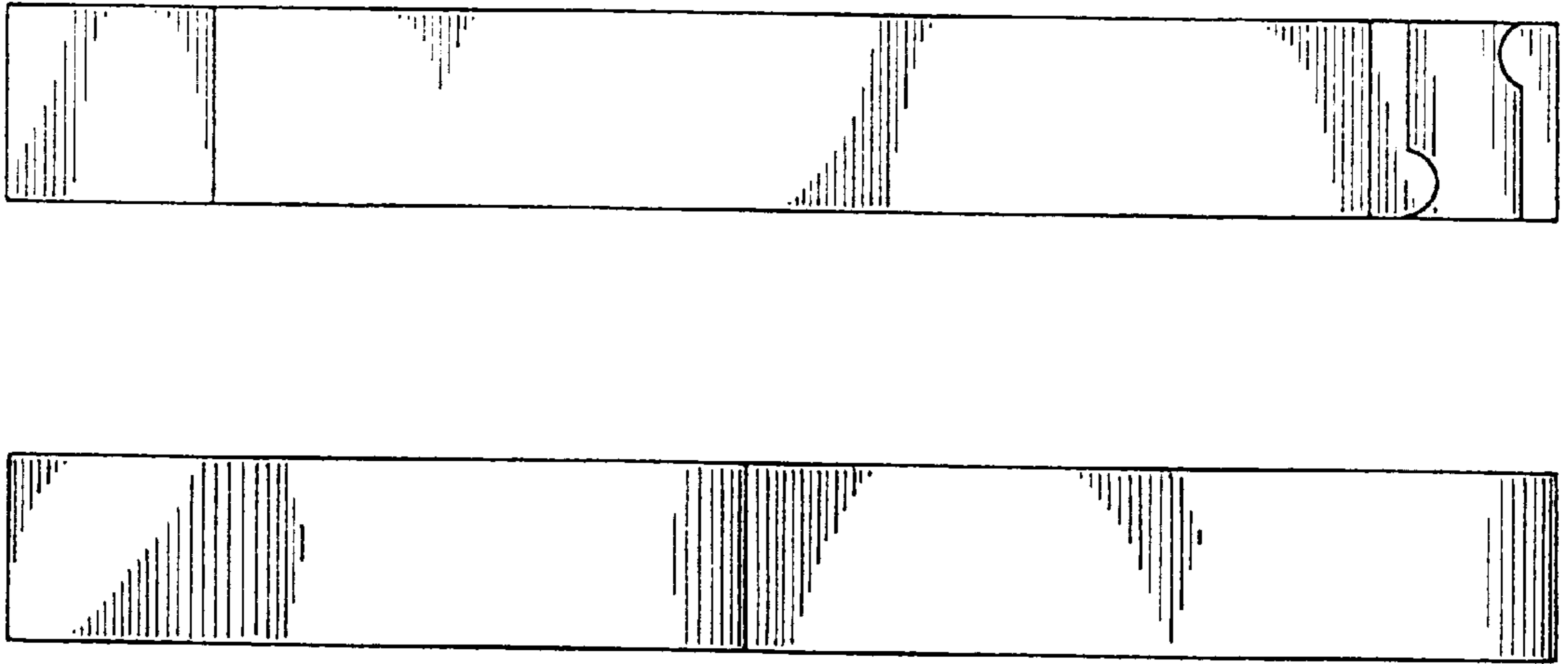


FIG. 6

FIG. 5

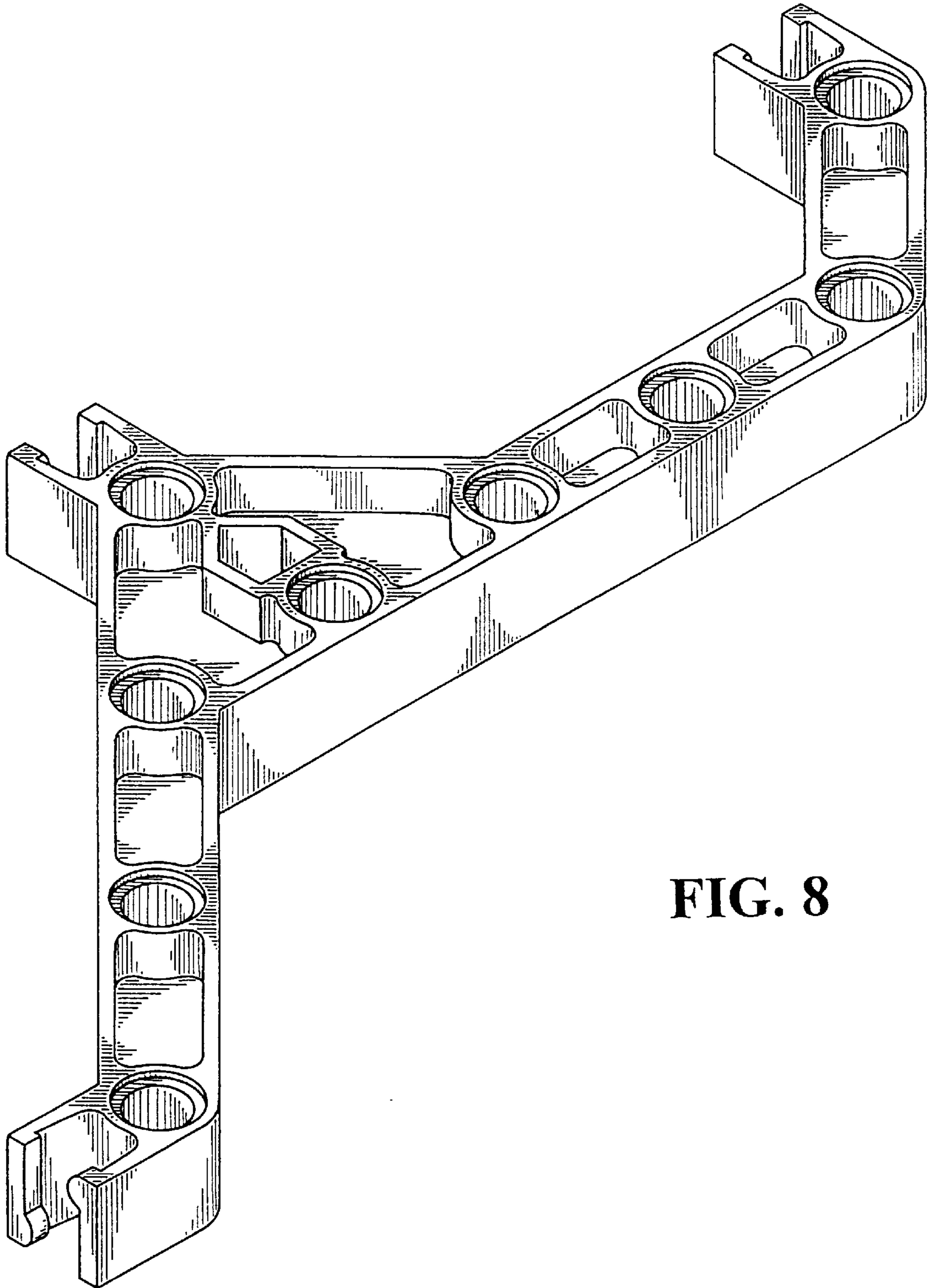


FIG. 8