



US00D411590S

United States Patent [19] Blæsild

[11] **Patent Number: Des. 411,590**
[45] **Date of Patent: ** Jun. 29, 1999**

[54] **TOY BUILDING ELEMENT**
[75] Inventor: **Jan Harder Blæsild**, Kolding,
Denmark
[73] Assignee: **INTERLEGO AG**, Baar, Switzerland
[**] Term: **14 Years**
[21] Appl. No.: **29/094,963**
[22] Filed: **Oct. 14, 1998**
[51] **LOC (6) Cl. 21-01**
[52] **U.S. Cl. D21/493; D21/486; D21/503**
[58] **Field of Search D15/139; D21/483-505,**
D21/532; 446/85, 86, 93-96, 102-104,
108-116, 120, 121, 123, 124, 128, 107,
144, 145

5,049,104 9/1991 Olsen 446/104
5,776,560 7/1998 Kori et al. 446/123
5,816,882 10/1998 Guegan et al. 446/123

OTHER PUBLICATIONS

TOYS "" US Catalog, p. 29, 1993.

Primary Examiner—Raphael Barkai
Attorney, Agent, or
Firm—Kane,Dalsimer,Sullivan,Kurucz,Levy,Eisele and
Richard, LLP

[56] **References Cited** U.S. PATENT DOCUMENTS

D. 257,632 12/1980 Barger D15/139
D. 363,294 10/1995 Ellis D15/139
2,703,724 3/1955 Der Yuen et al. 446/123
4,579,538 4/1986 Bass et al. 446/107
4,865,362 9/1989 Holden 446/121

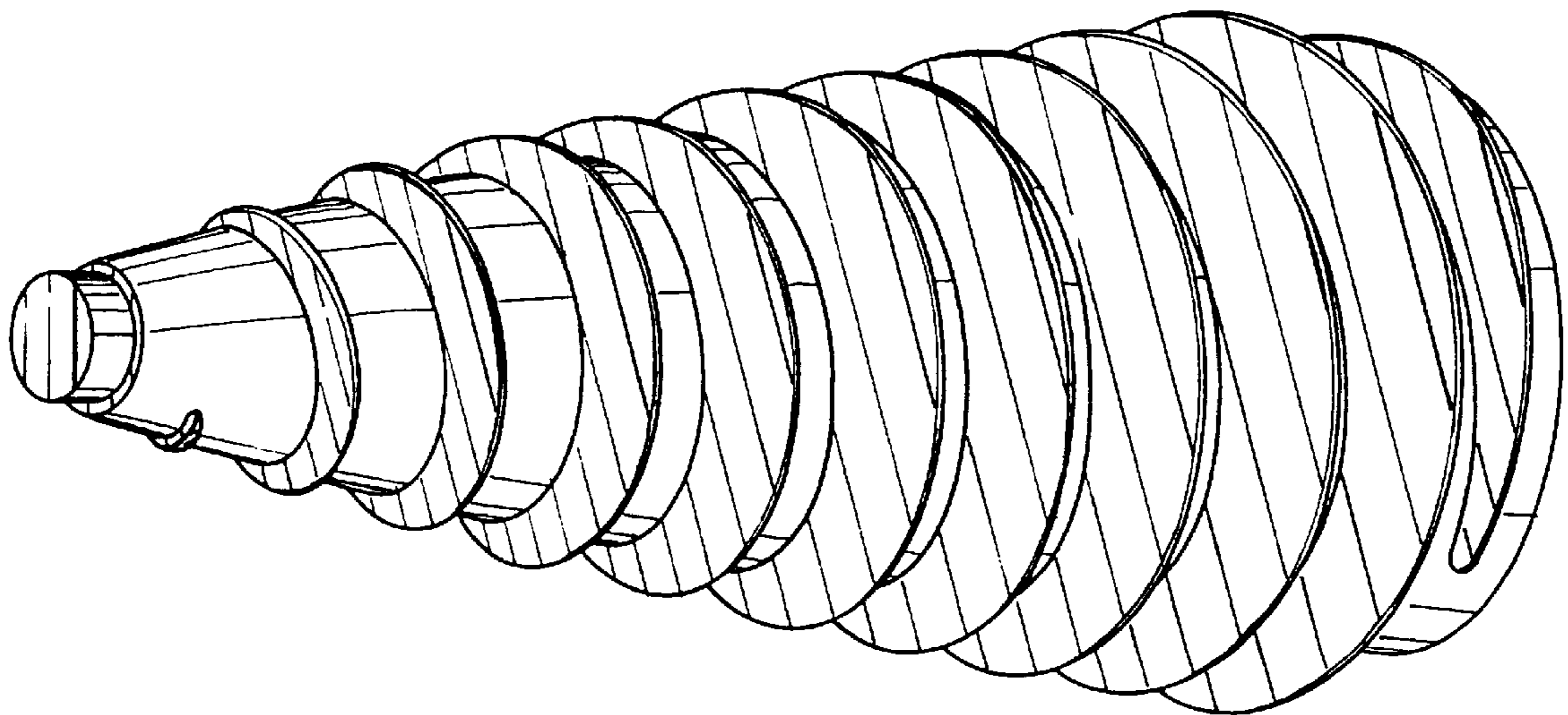
[57] **CLAIM**

The ornamental design for a toy building element, as shown and described.

DESCRIPTION

FIG. 1 is a top perspective view of the toy building element, FIG. 2 is a top plan view thereof, FIG. 3 is a front elevational view thereof, FIG. 4 is a bottom plan view thereof, FIG. 5 is a right side elevational view thereof, FIG. 6 is a left side elevational view thereof, FIG. 7 is rear elevational view thereof; and, FIG. 8 is a bottom perspective view thereof.

1 Claim, 4 Drawing Sheets



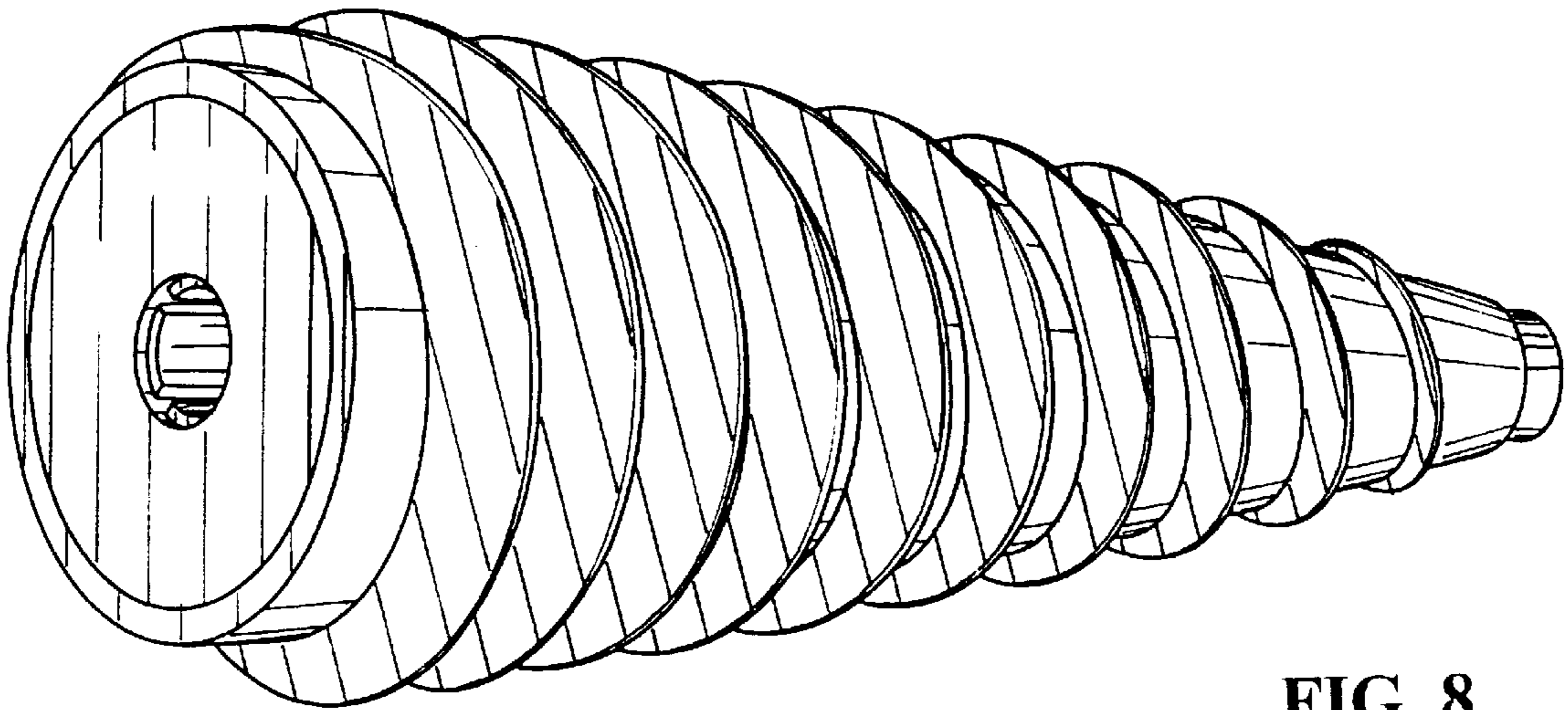


FIG. 8

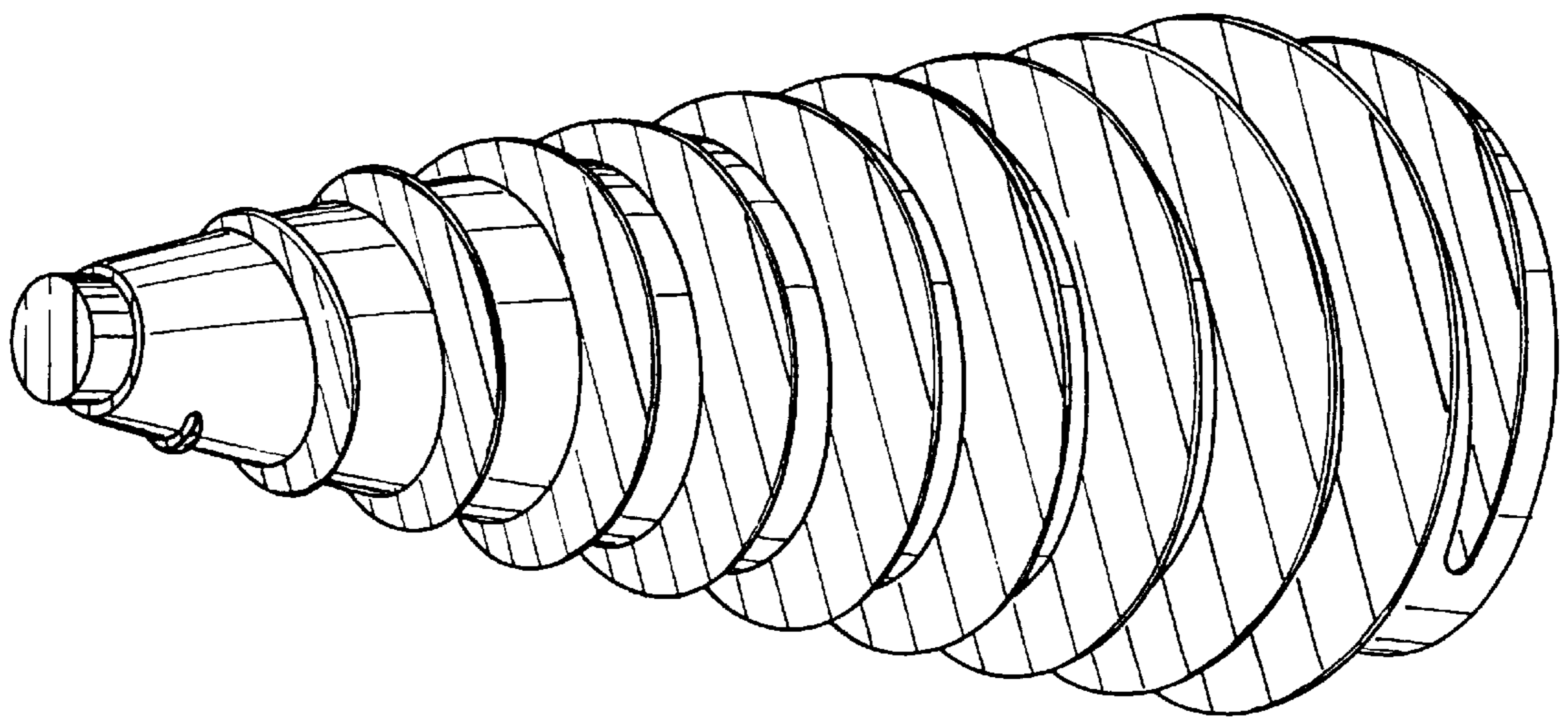


FIG. 1

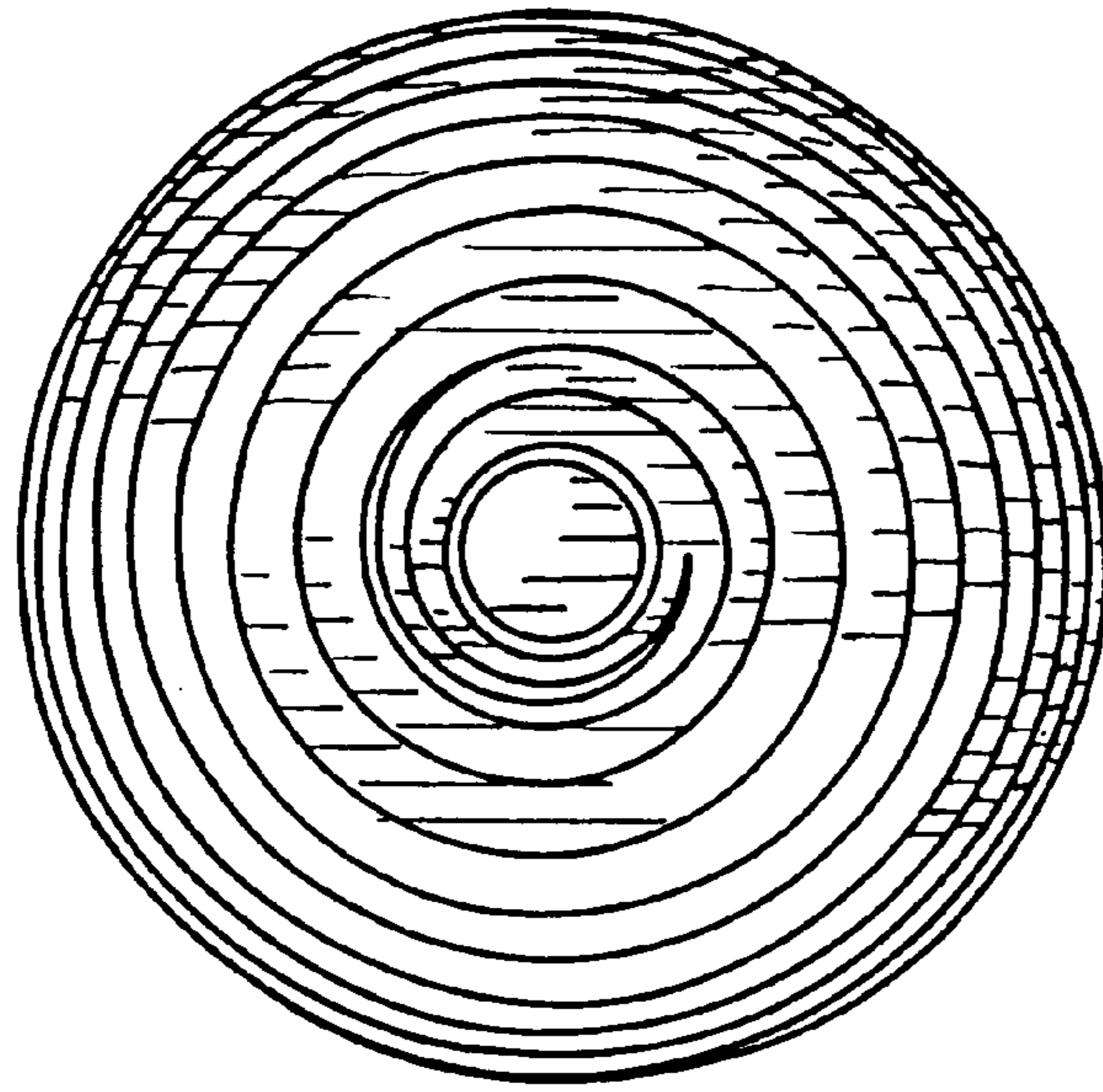


FIG. 2

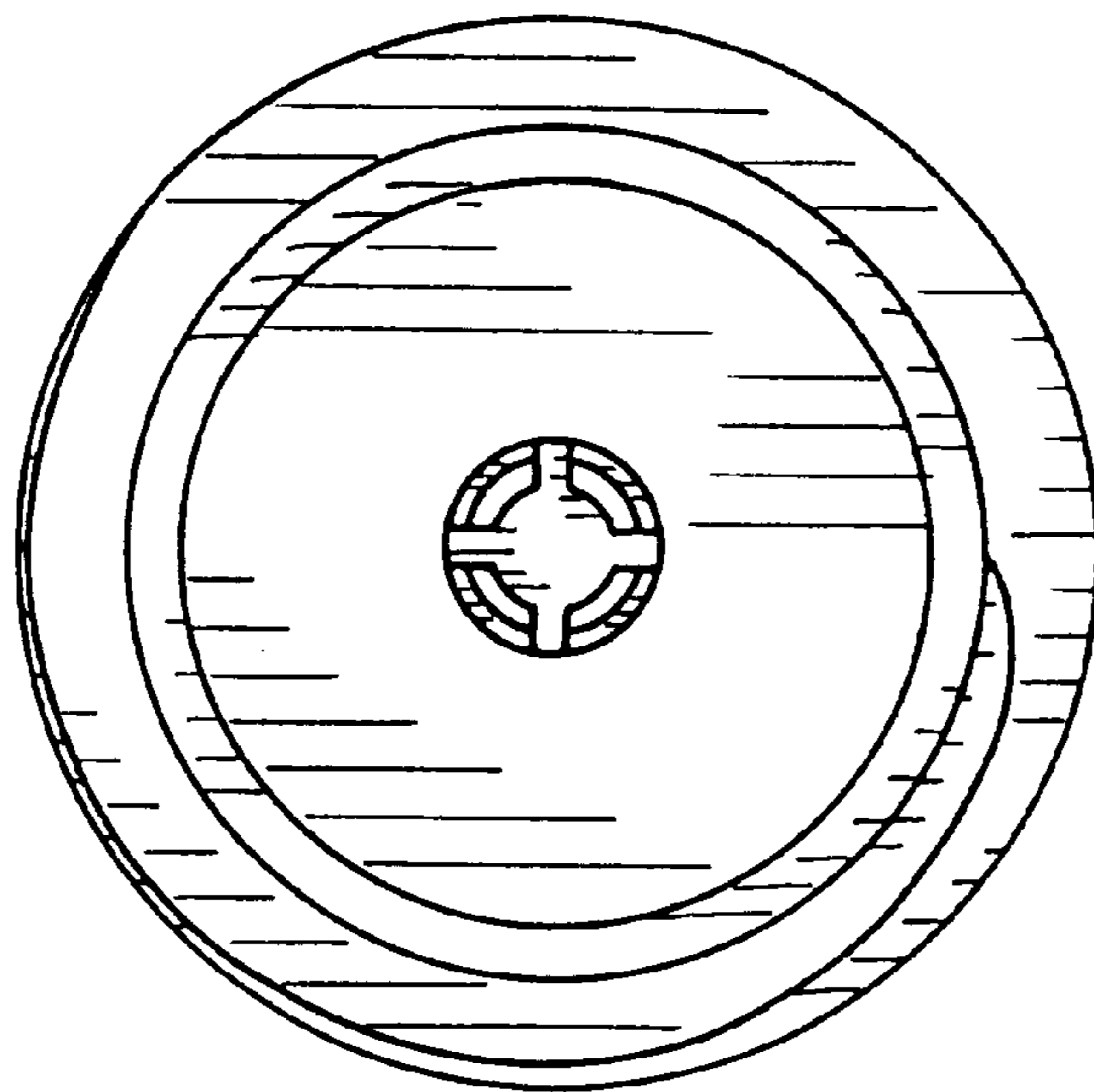


FIG. 4

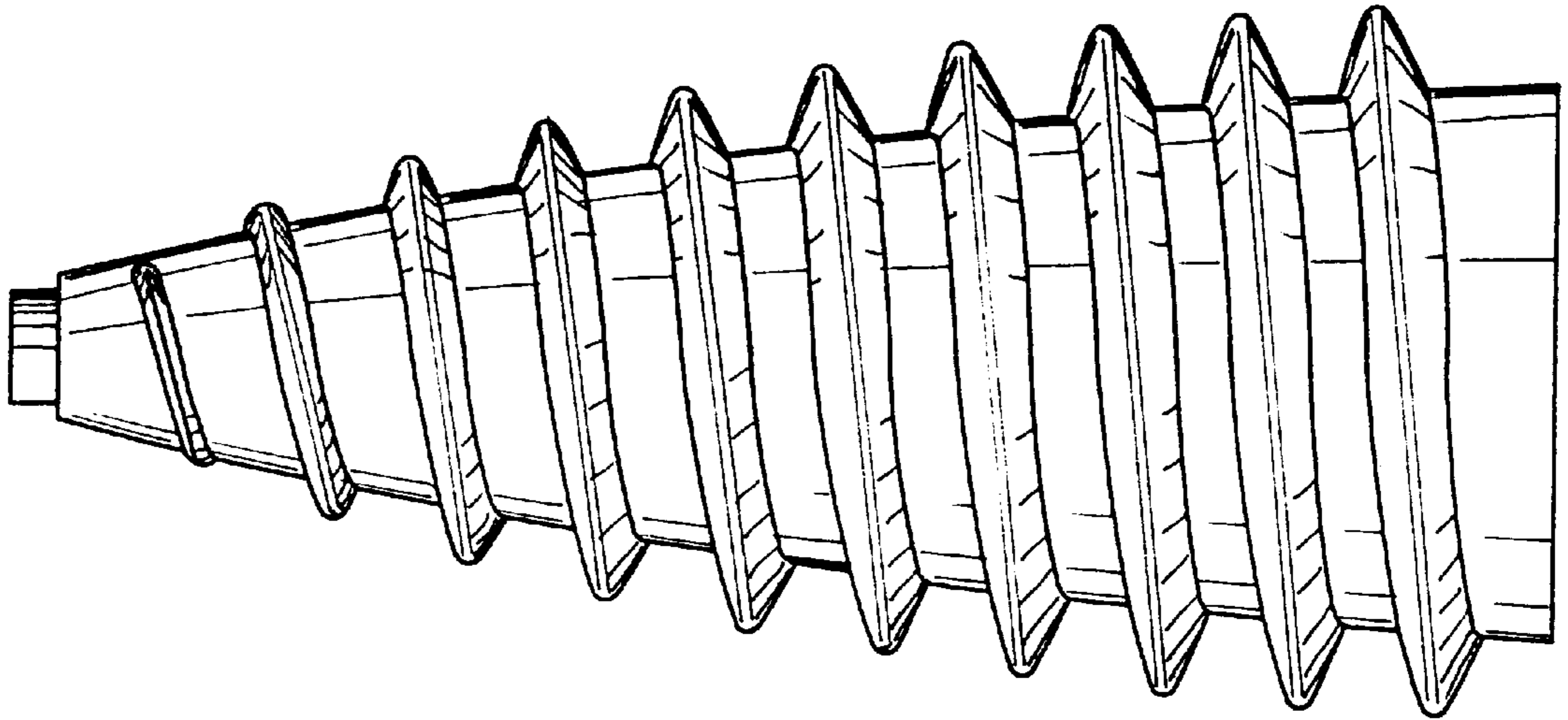


FIG. 6

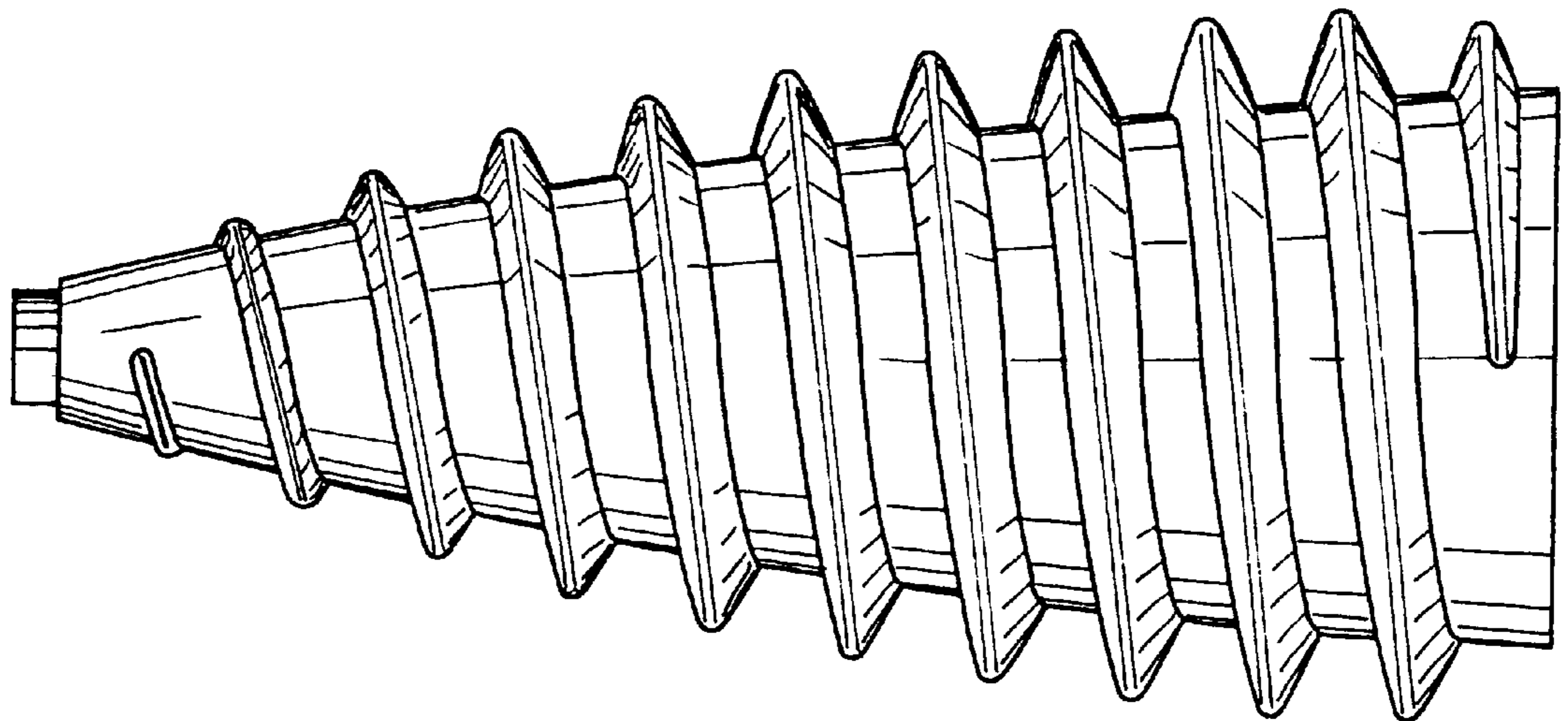


FIG. 3

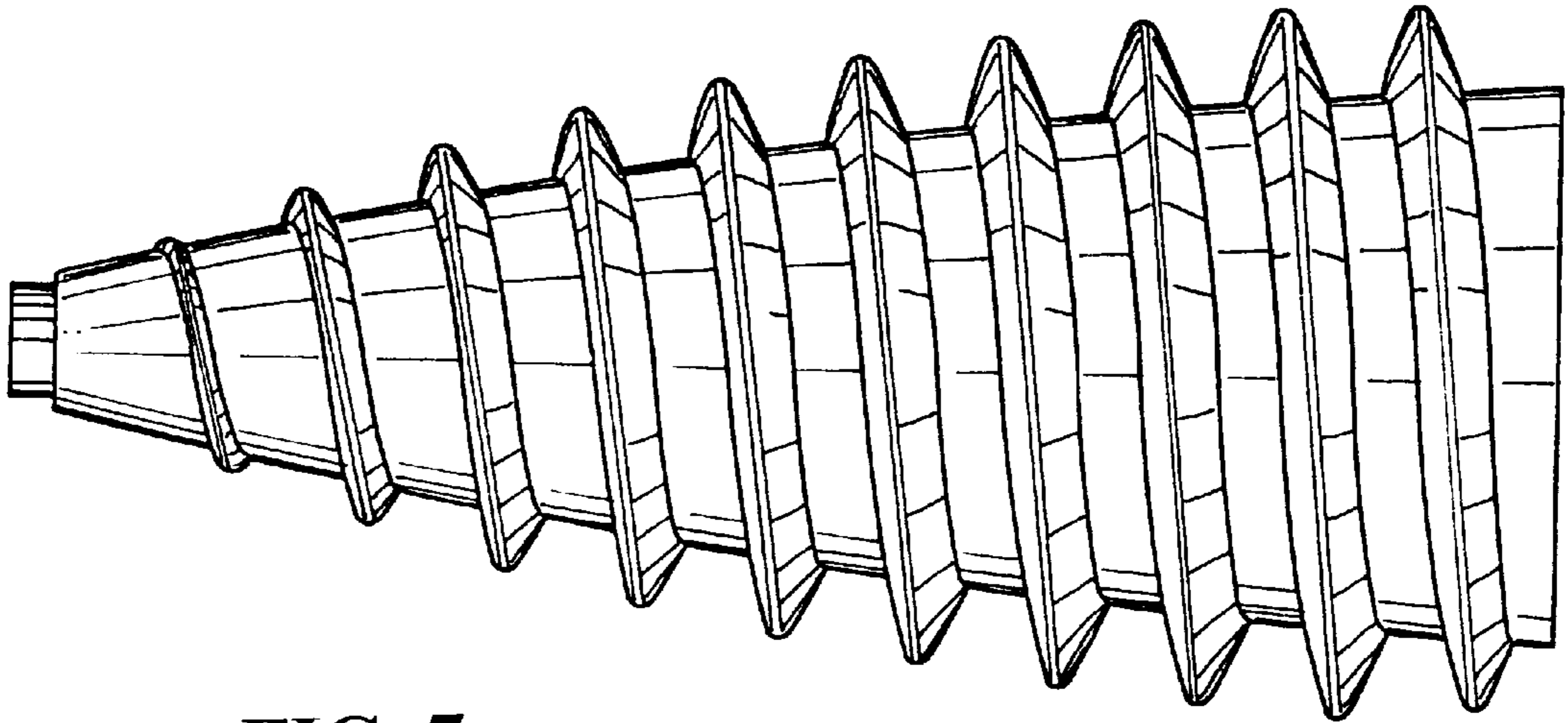


FIG. 7

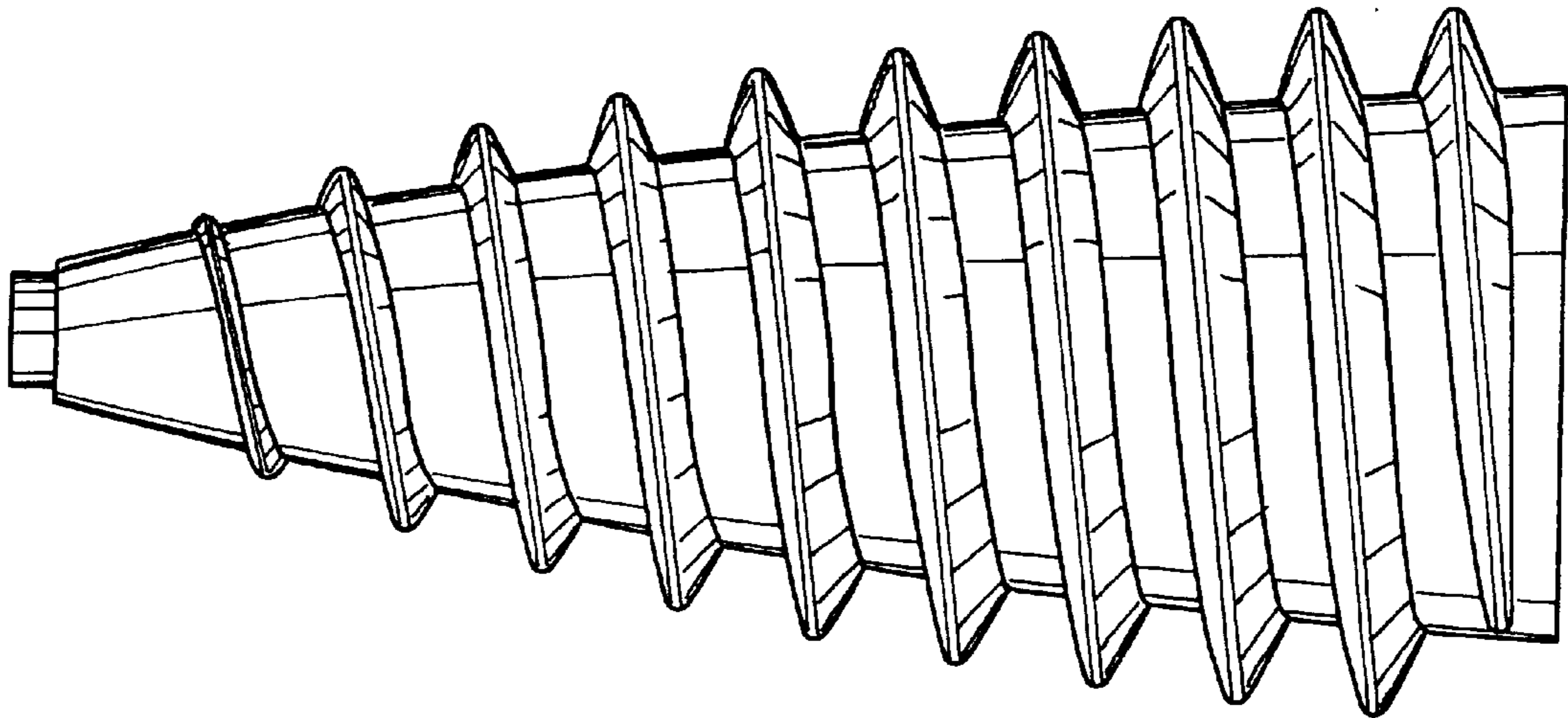


FIG. 5