



US00D411583S

# United States Patent [19]

[11] Patent Number: **Des. 411,583**

Wang

[45] Date of Patent: **\*\* Jun. 29, 1999**

[54] **COIN-OPERATED AMUSEMENT MACHINE**

3,384,223	5/1968	Manizza .....	206/775 X
4,614,342	9/1986	Takashima .....	463/46 X
5,263,715	11/1993	Matsumoto et al. ....	273/148 B X
5,344,199	9/1994	Carstens et al. ....	463/46 X

[75] Inventor: **Yu-chu Wang**, Chung Ho, Taiwan

[73] Assignee: **Amuchine Enterprise Co., Ltd.**, Taipei Hsien, Taiwan

[\*\*] Term: **14 Years**

*Primary Examiner*—Prabhakar Deshmukh  
*Attorney, Agent, or Firm*—Smith, Gambrell & Russell, LLP;  
Beveridge, DeGrandi, Weilacher & Young Intellectual  
Property Group

[21] Appl. No.: **29/082,369**

[57] **CLAIM**

[22] Filed: **Jan. 21, 1998**

The ornamental design for a “coin-operated amusement machine”, as shown and described.

[51] **LOC (6) Cl.** ..... **21-01**

[52] **U.S. Cl.** ..... **D21/327**

[58] **Field of Search** ..... D21/324–327,  
D21/329, 333; 463/1, 29–35, 46, 47, 49,  
50, 51; 273/278, 440, 459

**DESCRIPTION**

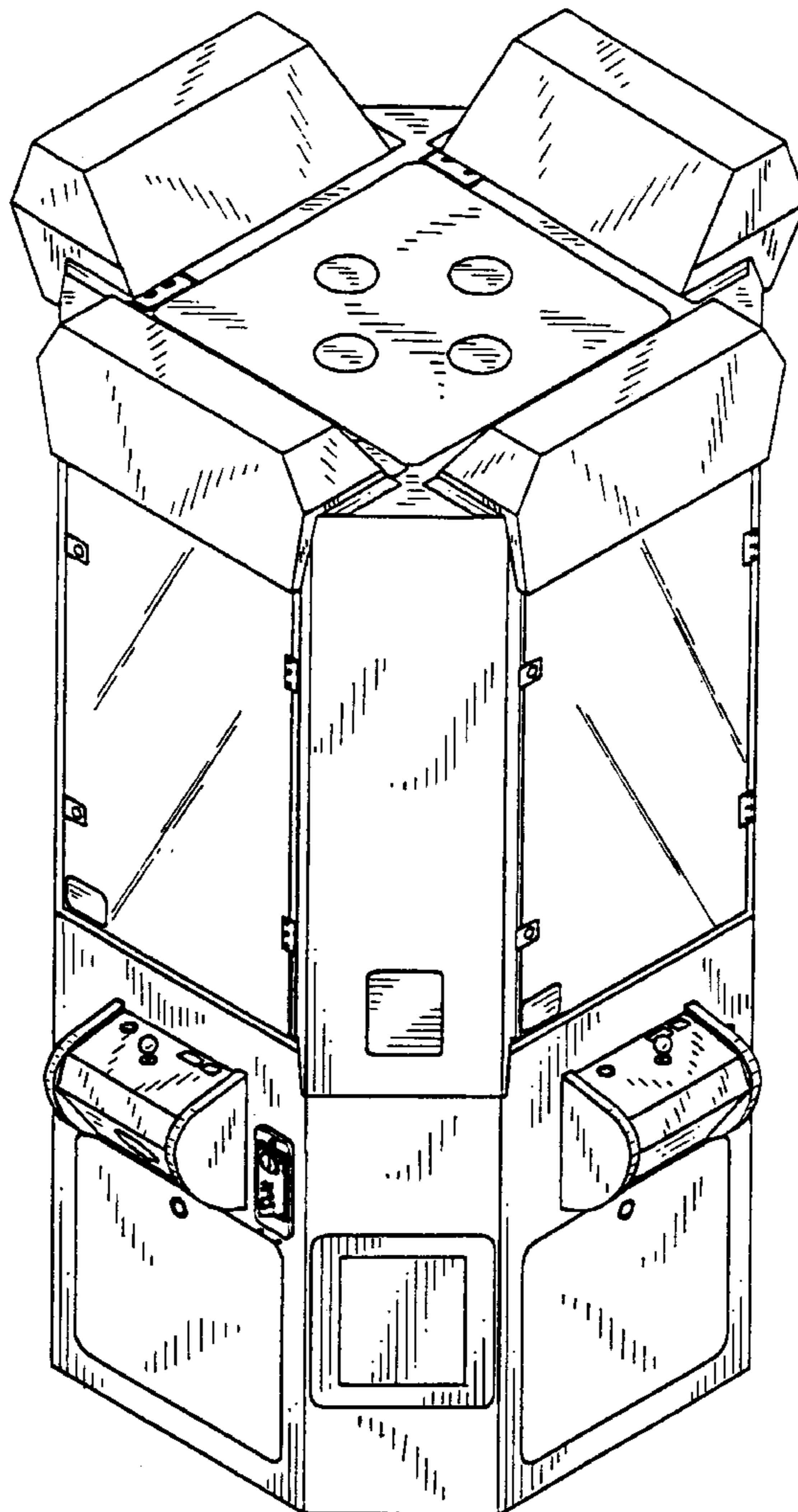
FIG. 1 is a front view of a coin-operated amusement machine showing my new design;  
FIG. 2 is a rear view thereof;  
FIG. 3 is a left side view thereof;  
FIG. 4 is a right side view thereof;  
FIG. 5 is a top view thereof;  
FIG. 6 is a bottom view thereof; and,  
FIG. 7 is a perspective view thereof.

[56] **References Cited**

**U.S. PATENT DOCUMENTS**

D. 248,982	8/1978	Cook .....	D21/327
D. 364,650	11/1995	Hanscom .....	D21/327
D. 367,294	2/1996	Shoemaker, Jr. et al. ....	D21/312
D. 371,579	7/1996	Hanscom .....	D21/327
D. 385,584	10/1997	Chaffee et al. ....	D21/325

**1 Claim, 6 Drawing Sheets**



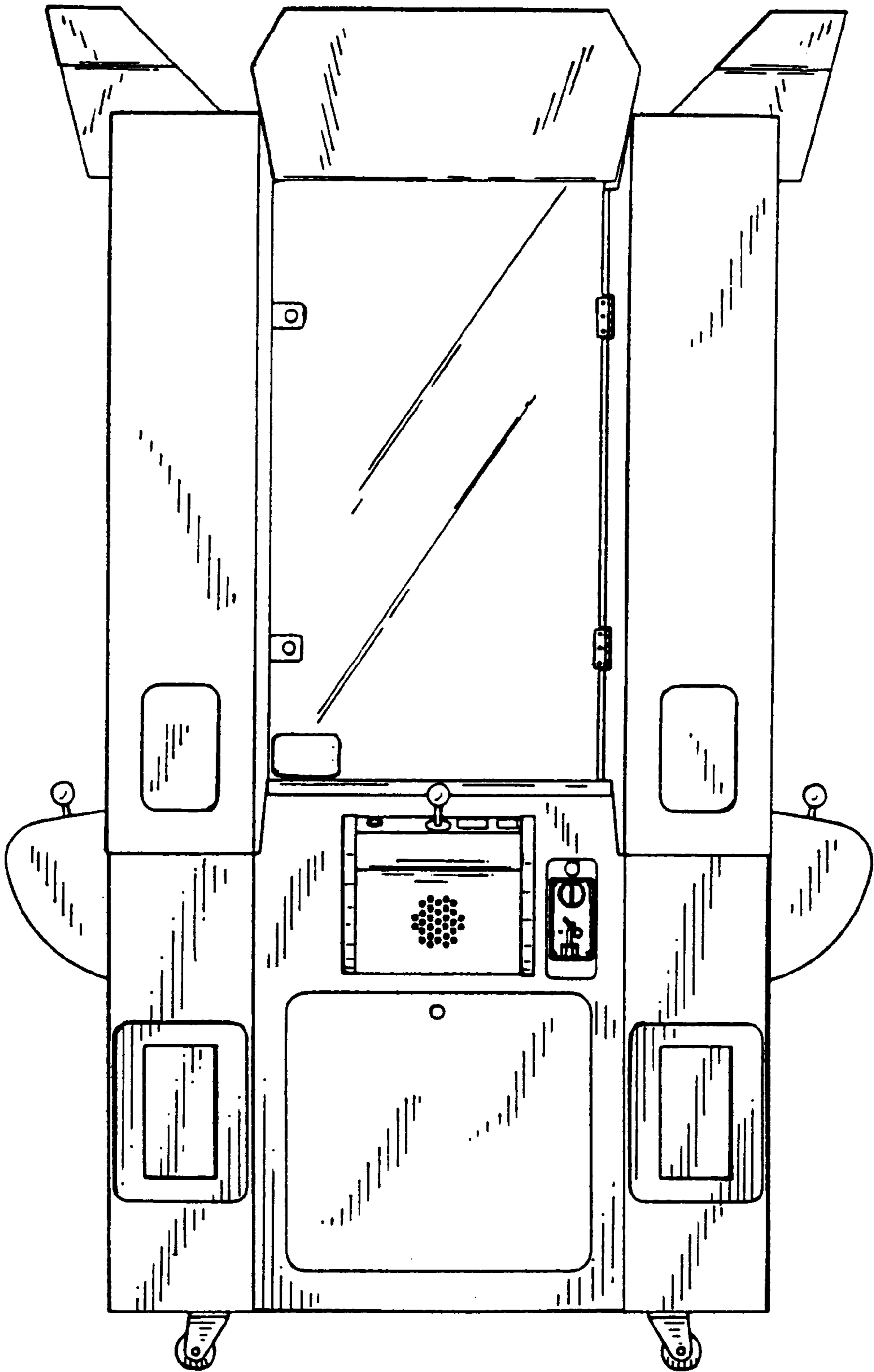


FIG. 1

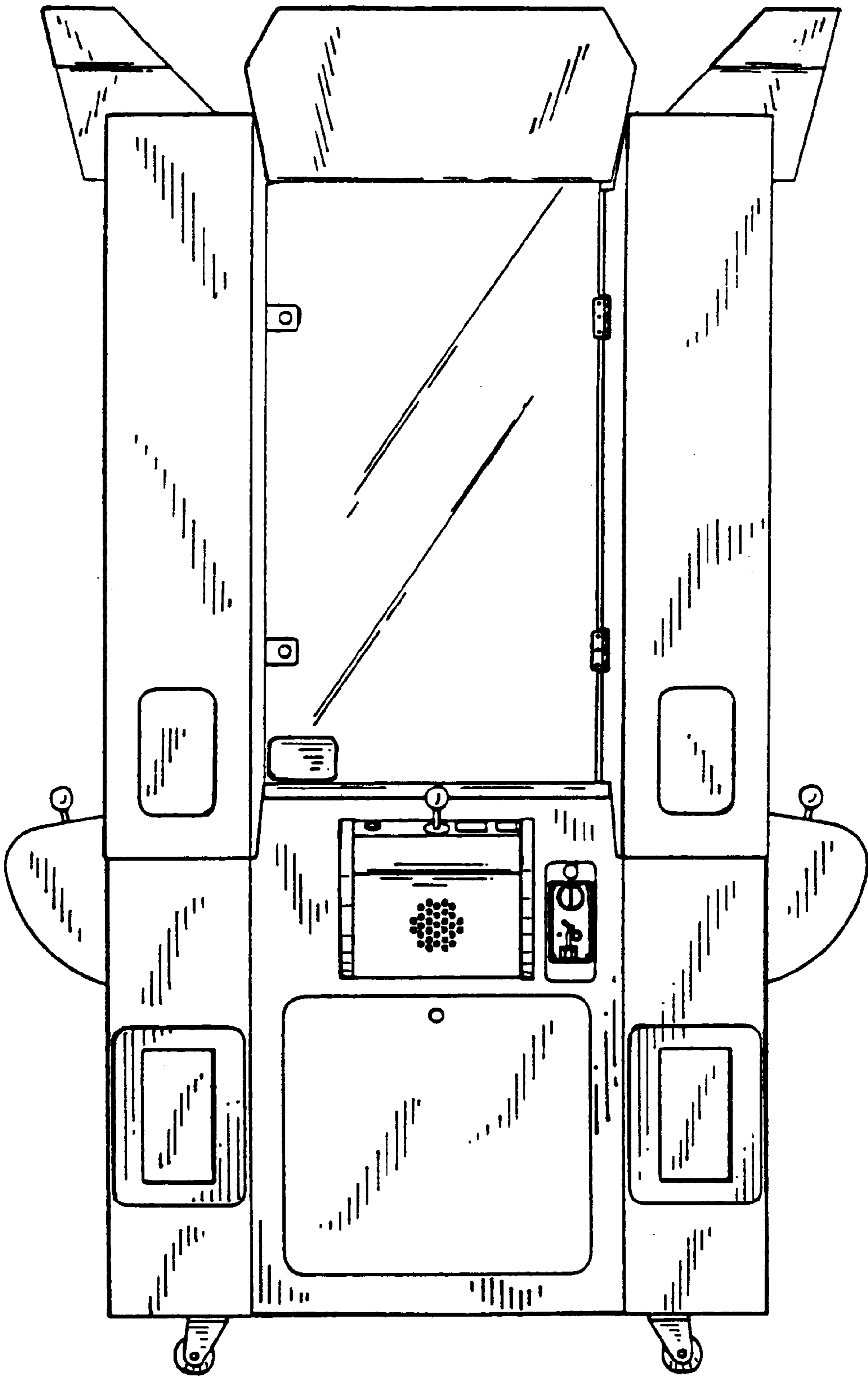


FIG. 2

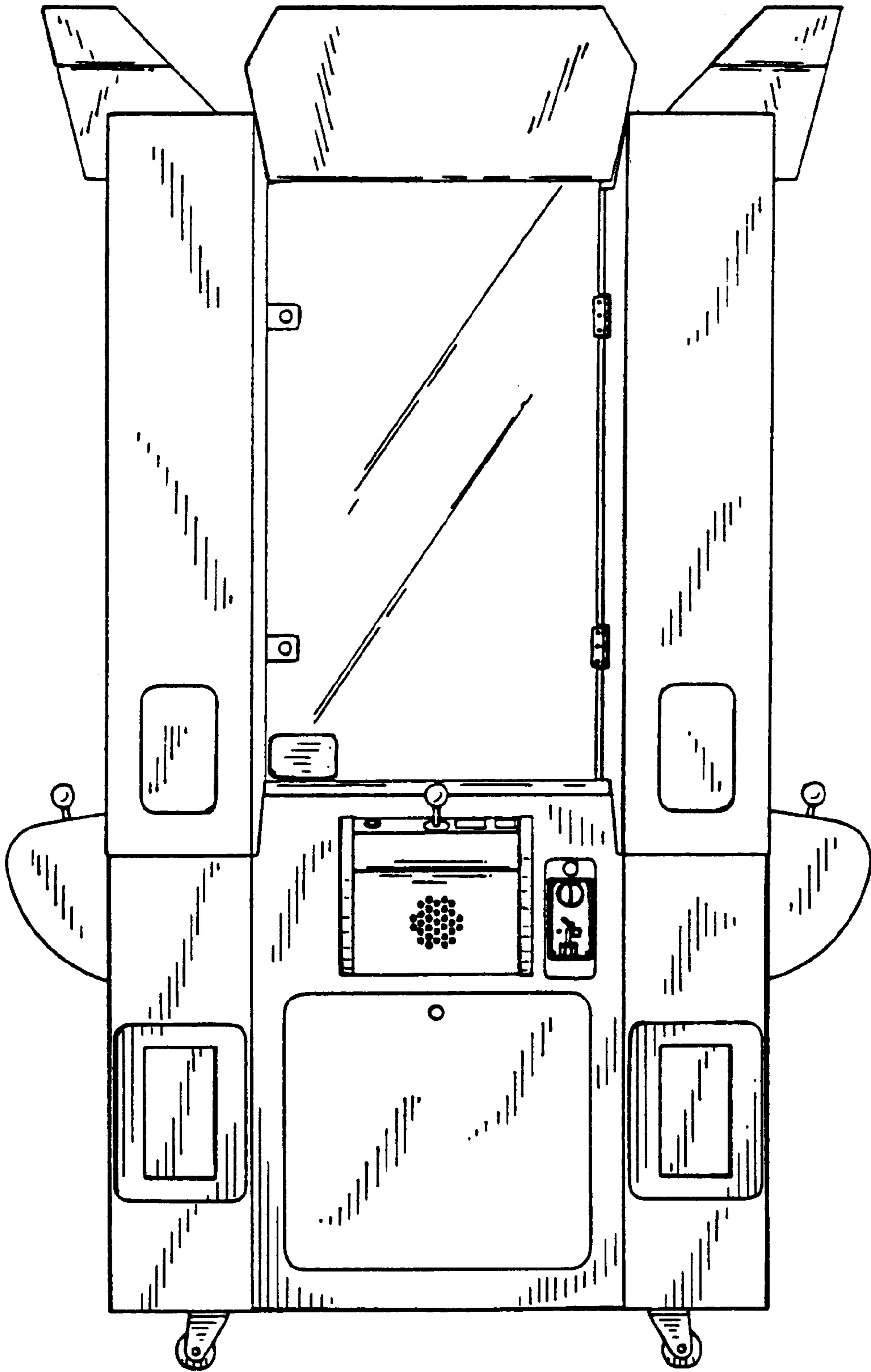


FIG. 3

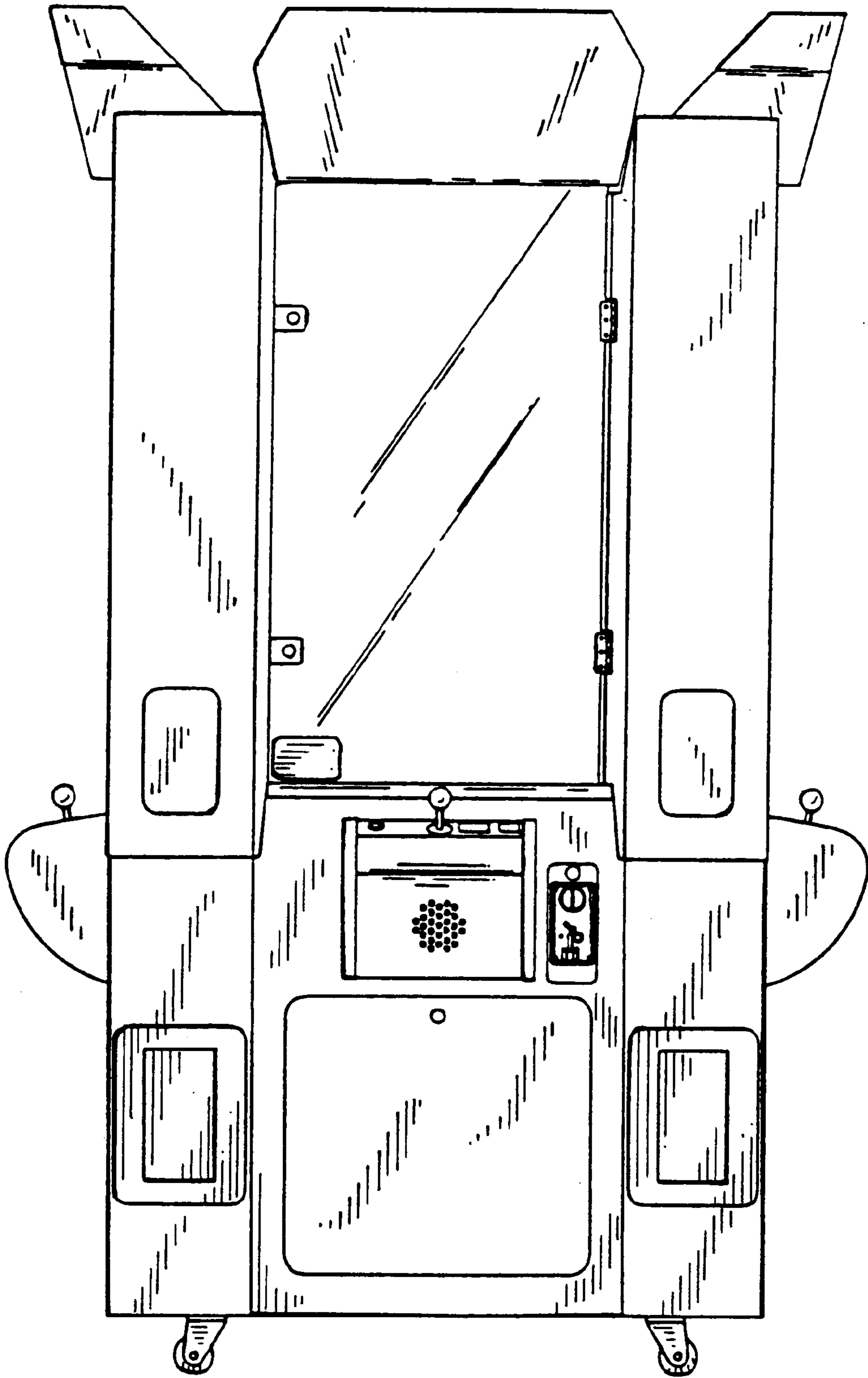


FIG. 4

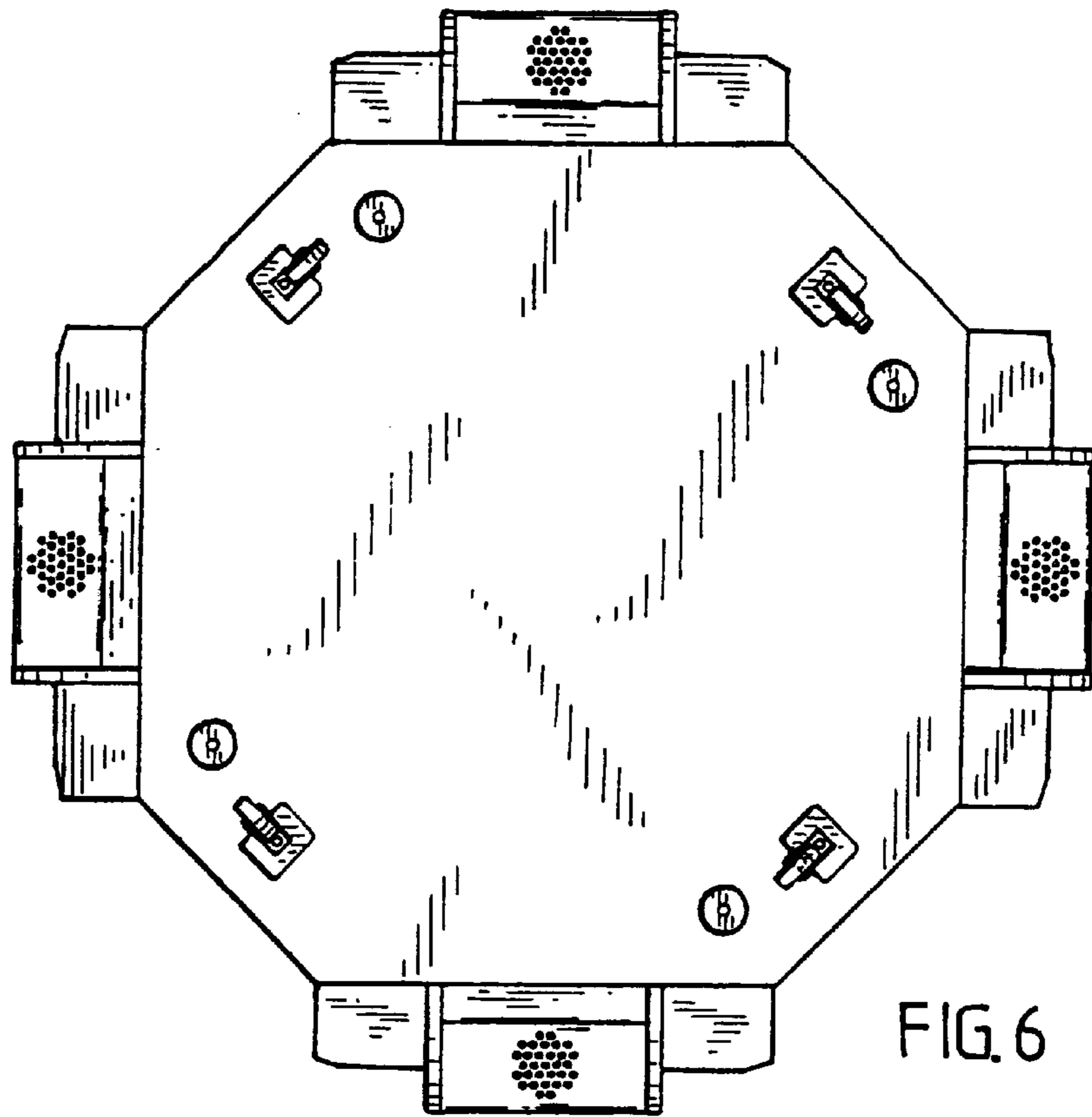


FIG. 6

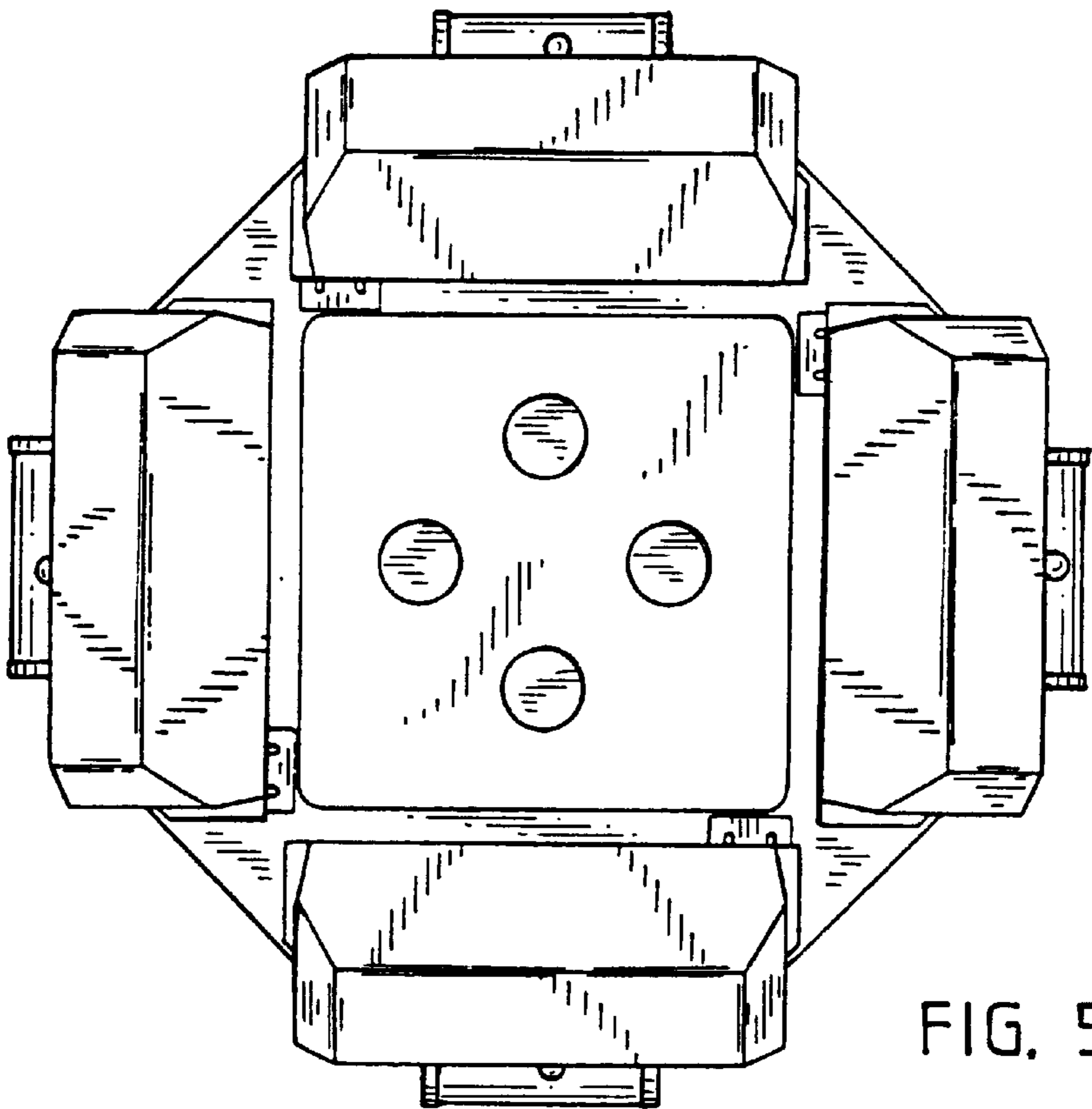


FIG. 5

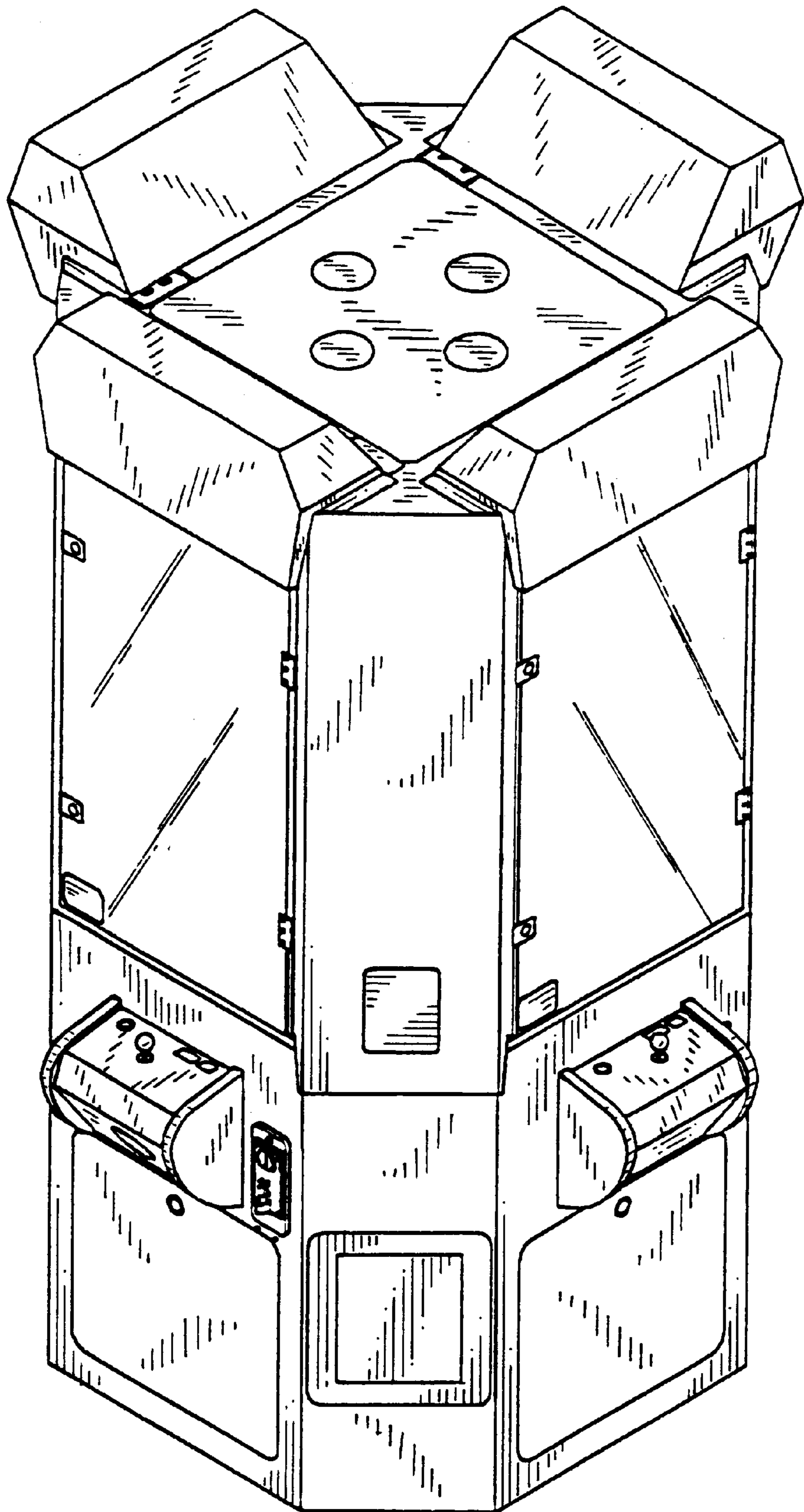


FIG. 7