



US00D411581S

# United States Patent [19] Buckley

[11] Patent Number: **Des. 411,581**

[45] Date of Patent: **\*\* Jun. 29, 1999**

[54] **RETRIEVAL CARTRIDGE**

[75] Inventor: **Mark Clifford Buckley**, Cordova, Calif.

[73] Assignee: **Thermogenesis Corp.**, Rancho Cordova, Calif.

[\*\*] Term: **14 Years**

[21] Appl. No.: **29/088,419**

[22] Filed: **May 22, 1998**

[51] **LOC (6) Cl.** ..... **14-99**

[52] **U.S. Cl.** ..... **D21/121**

[58] **Field of Search** ..... D14/120-124, D14/114, 299, 160, 161, 217; 360/131-137, 900, 55; 369/1, 12, 13-15; 463/1, 29-35, 43, 44, 45; 273/148 B; D21/332, 333

[56] **References Cited**

**U.S. PATENT DOCUMENTS**

- D. 304,193 10/1989 Lotz ..... D14/121 X
- D. 337,111 7/1993 Hata ..... D14/121
- D. 348,261 6/1994 Aghachi et al. .... D14/121

- D. 350,353 9/1994 Schulman ..... D14/121 X
- D. 350,951 9/1994 Tseng ..... D14/121
- 4,868,321 9/1989 Nakagawa et al. .... 273/148 B X
- 5,610,789 3/1997 Miller ..... 360/132
- 5,631,784 5/1997 Suzuki et al. .... 360/132 X
- 5,721,655 2/1998 Thweatt ..... 360/132 X
- 5,760,996 6/1998 Vollmann ..... 360/132 X

*Primary Examiner*—Prabhakar Deshmukh  
*Attorney, Agent, or Firm*—Bernhard Kreten

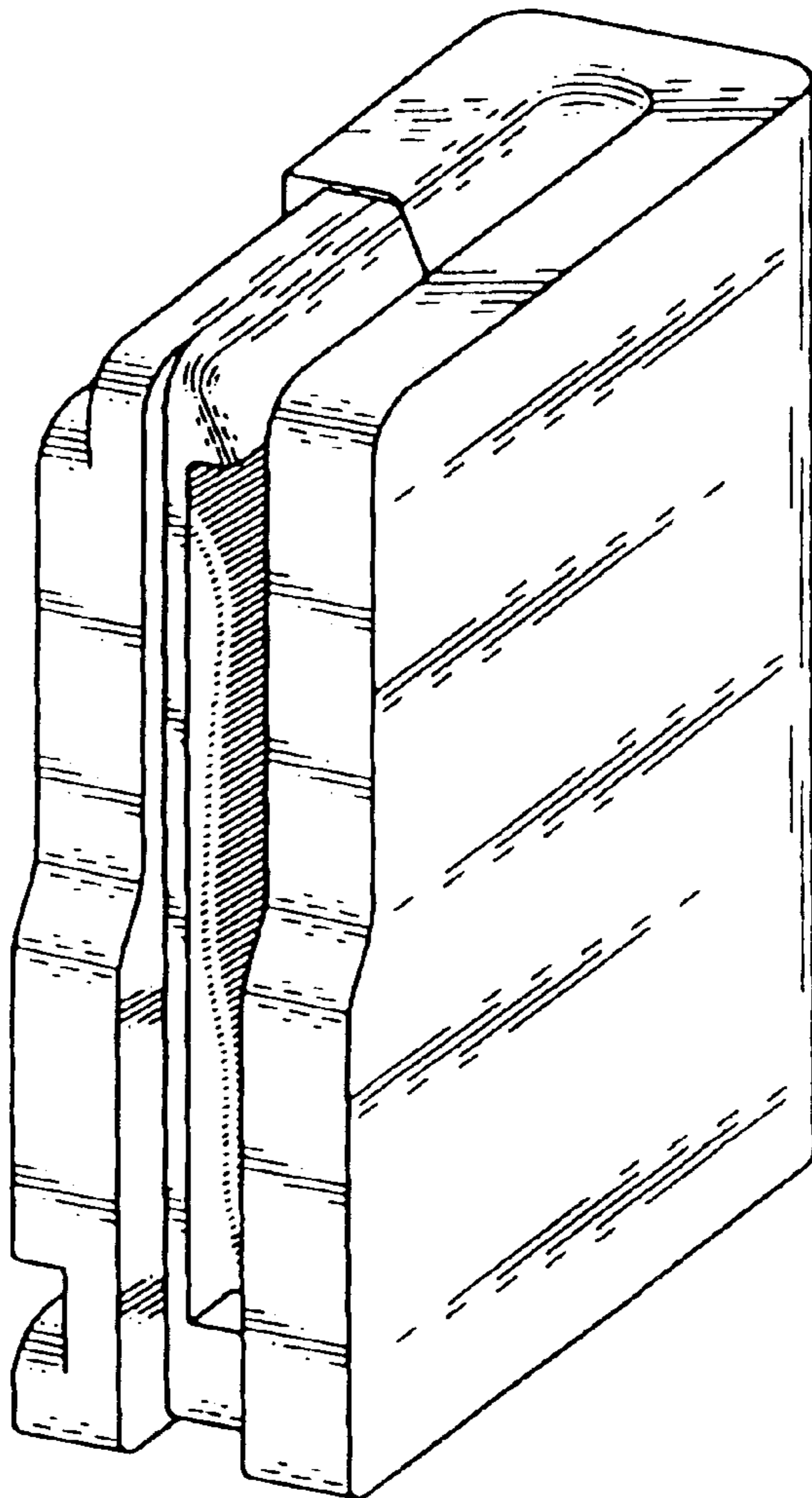
[57] **CLAIM**

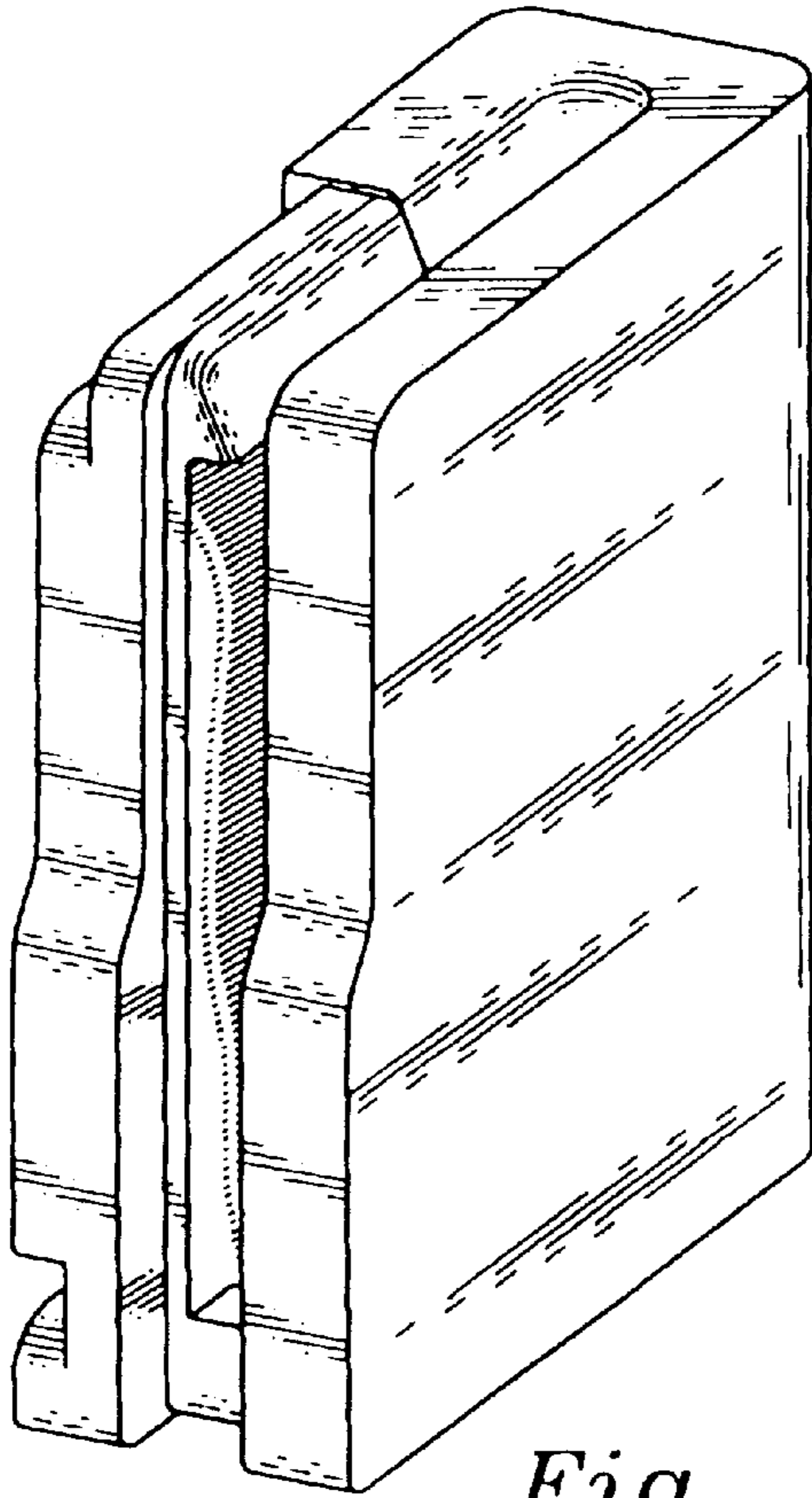
The ornamental design for a Retrieval Cartridge, as shown and described.

**DESCRIPTION**

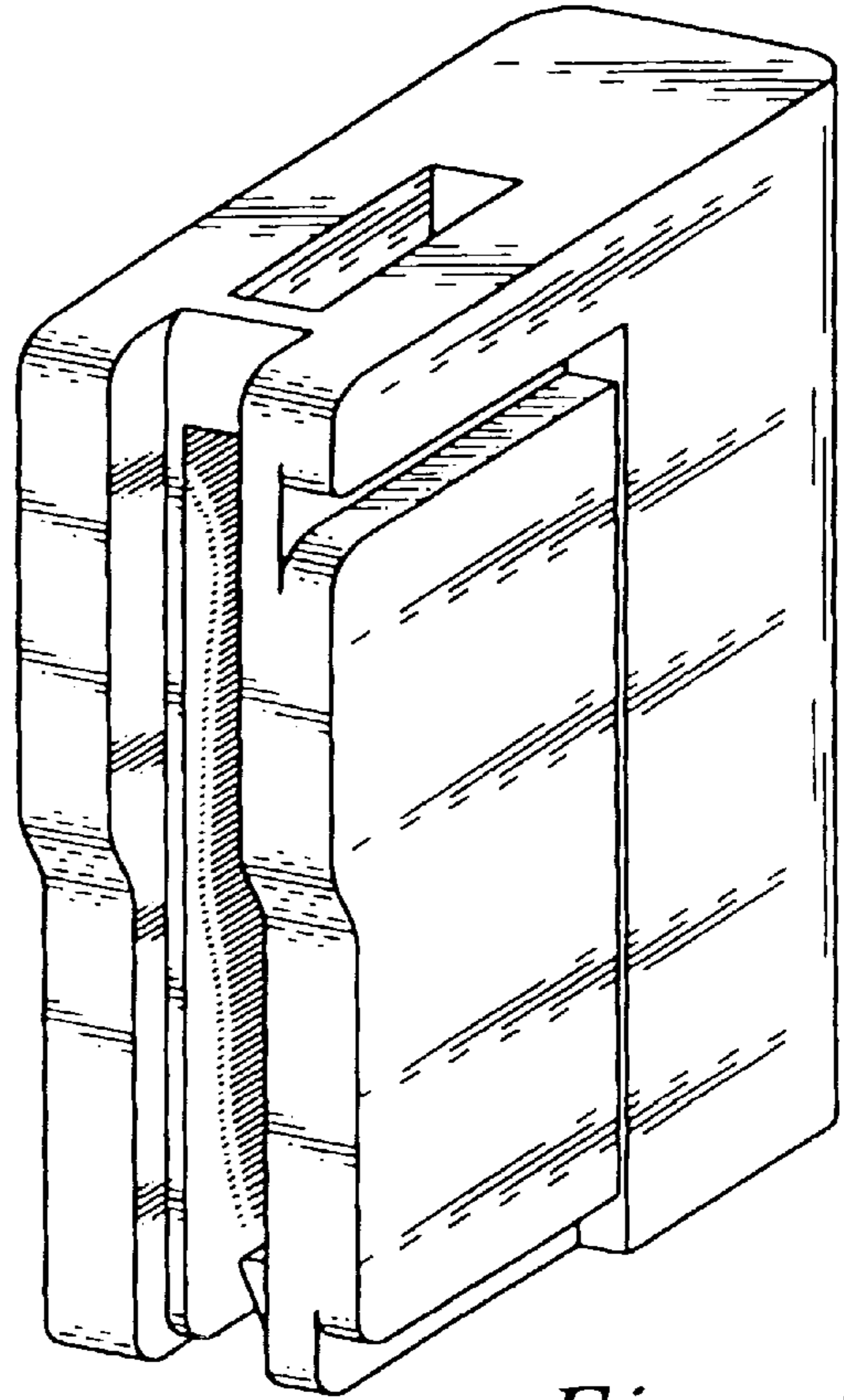
- FIG. 1 is a top perspective view of a Retrieval Cartridge showing my new design.
- FIG. 2 is a bottom perspective view thereof.
- FIG. 3 is a side view thereof.
- FIG. 4 is a front side view thereof.
- FIG. 5 is a rear view thereof.
- FIG. 6 is a opposite side view thereof.
- FIG. 7 is a top view thereof; and,
- FIG. 8 is a bottom view thereof.

**1 Claim, 2 Drawing Sheets**

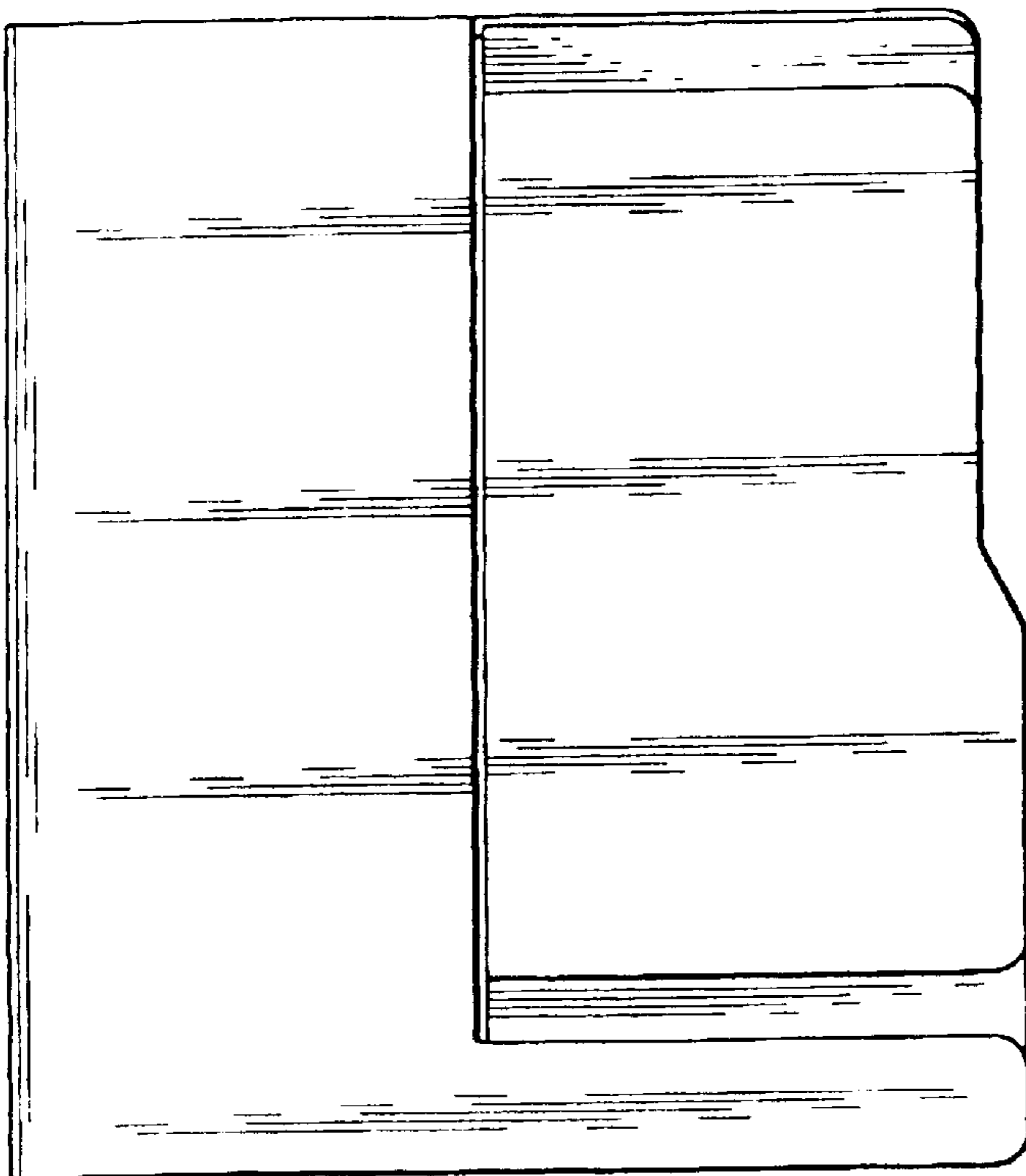




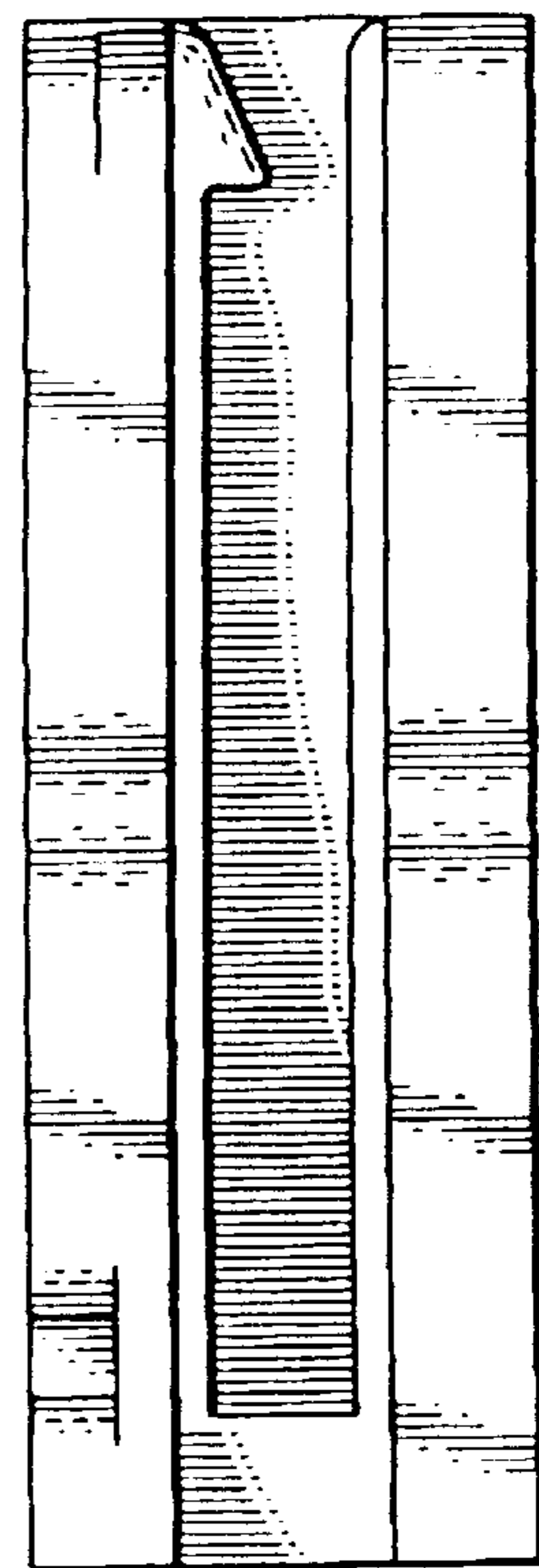
*Fig. 1*



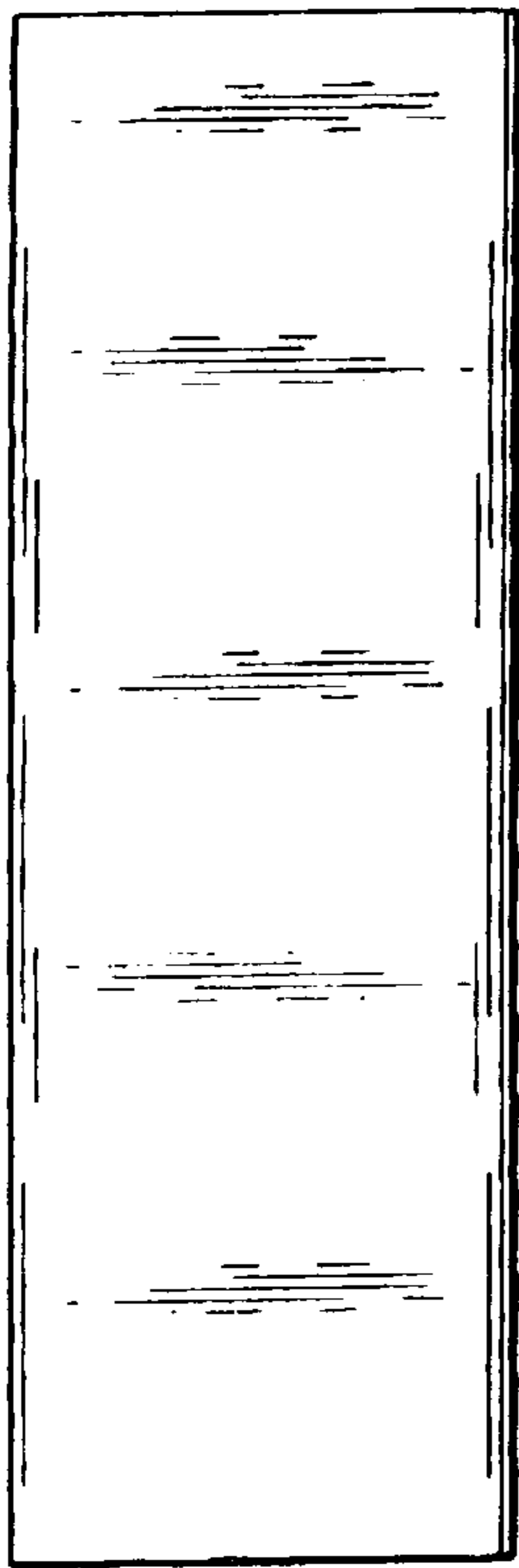
*Fig. 2*



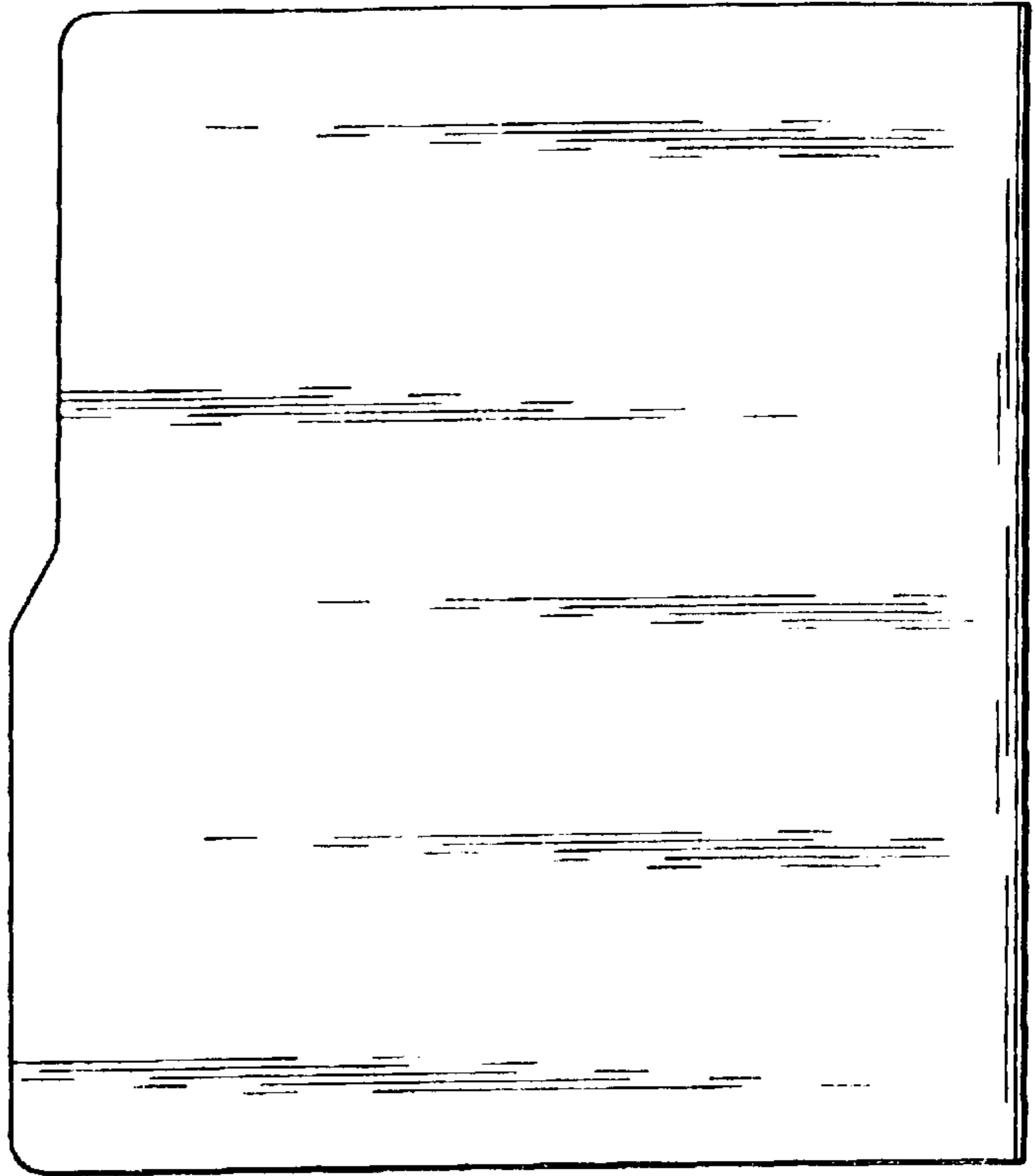
*Fig. 3*



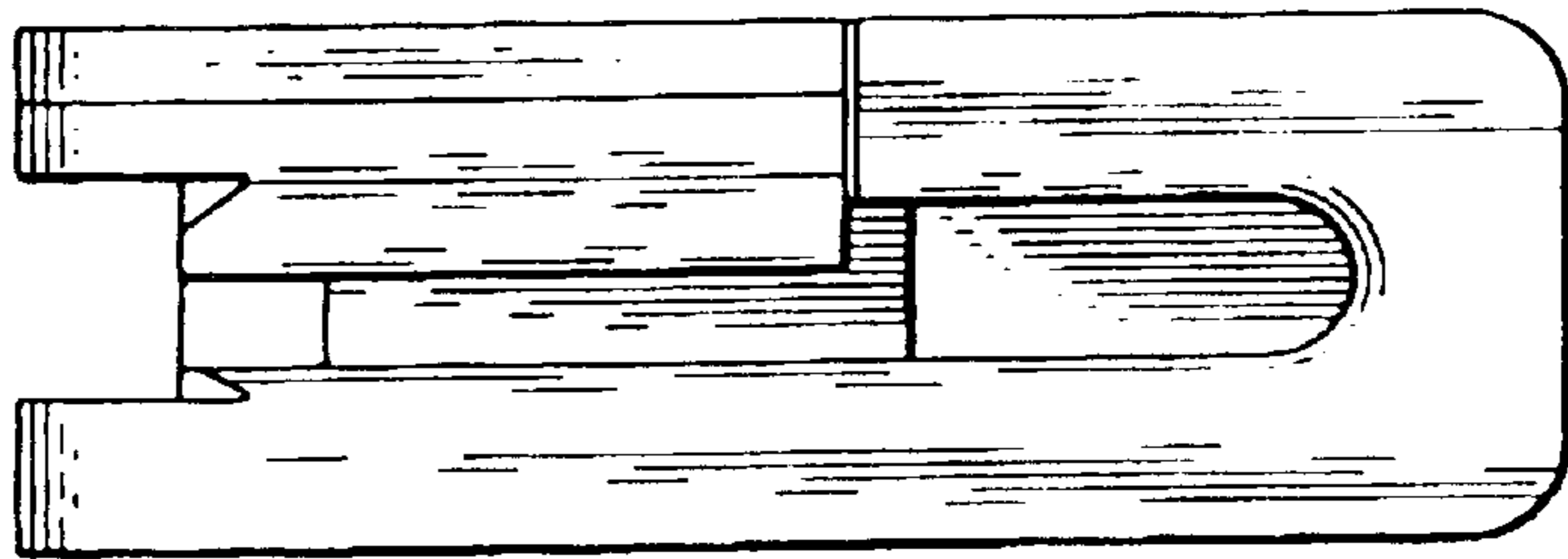
*Fig. 4*



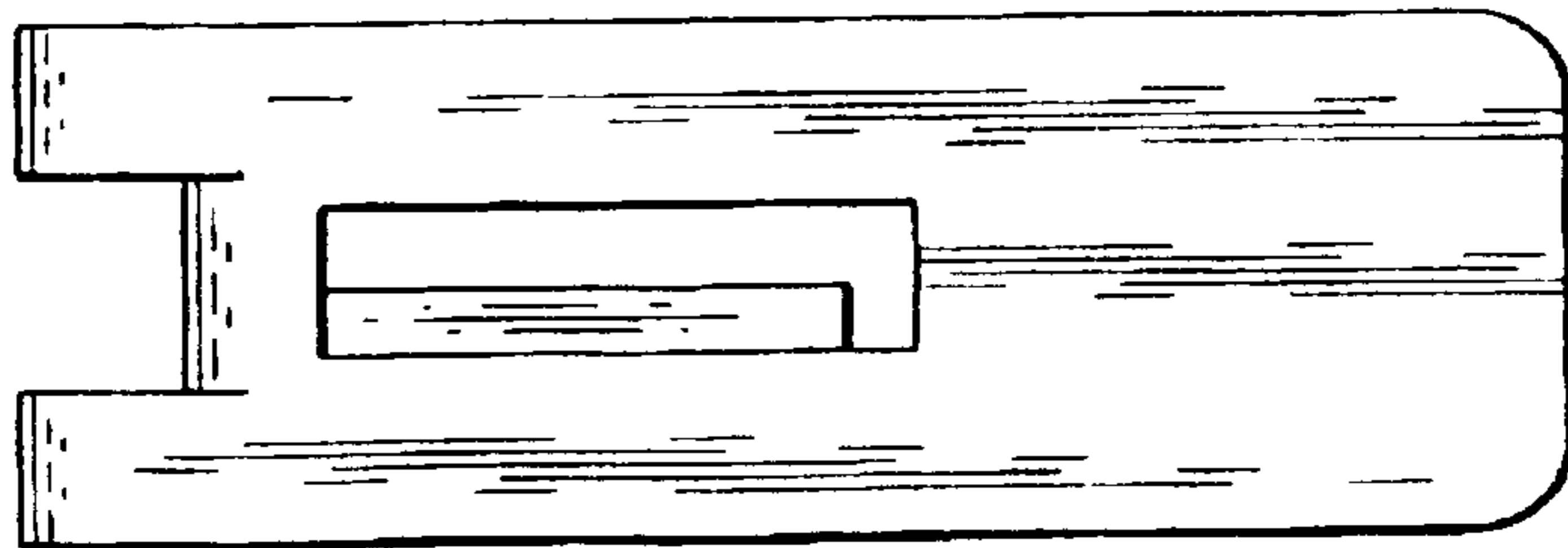
*Fig. 5*



*Fig. 6*



*Fig. 7*



*Fig. 8*