



US00D411576S

United States Patent [19]

[11] Patent Number: Des. 411,576

Hames

[45] Date of Patent: ** Jun. 29, 1999

[54] VEST FOR USE WITH A VIDEO GAME SYSTEM

[75] Inventor: Edward L. Hames, Peterborough, N.H.

[73] Assignee: Nuby Holdings Corporation, Peterborough, N.H.

[**] Term: 14 Years

[21] Appl. No.: 29/090,124

[22] Filed: Jun. 29, 1998

[51] LOC (6) Cl. 02-02

[52] U.S. Cl. D2/829; D2/828; D2/830; D2/839

[58] Field of Search D2/829, 830, 838, D2/839; D14/163; D29/100, 101; 340/323 R; 2/94

[56] References Cited

U.S. PATENT DOCUMENTS

D. 238,208	12/1975	Heson	D2/701
D. 269,136	5/1983	Pressentini	D2/829
D. 316,172	4/1991	Hanson	D2/829
D. 316,472	4/1991	Flanagan	D2/829
D. 332,514	1/1993	Brandoff	D2/829

D. 332,842	1/1993	Floyd	D14/163
D. 352,165	11/1994	Covertson	D3/217
D. 355,751	2/1995	Dagan	D2/830
D. 357,342	4/1995	Gelinas et al.	D2/830
D. 361,115	8/1995	Lucius	D2/829
D. 387,189	12/1997	Woolett et al.	D2/829
2,620,479	12/1952	Buck	2/94
5,565,840	10/1996	Thorner	340/323 R

Primary Examiner—Celia A. Murphy
Attorney, Agent, or Firm—Richard P. Crowley

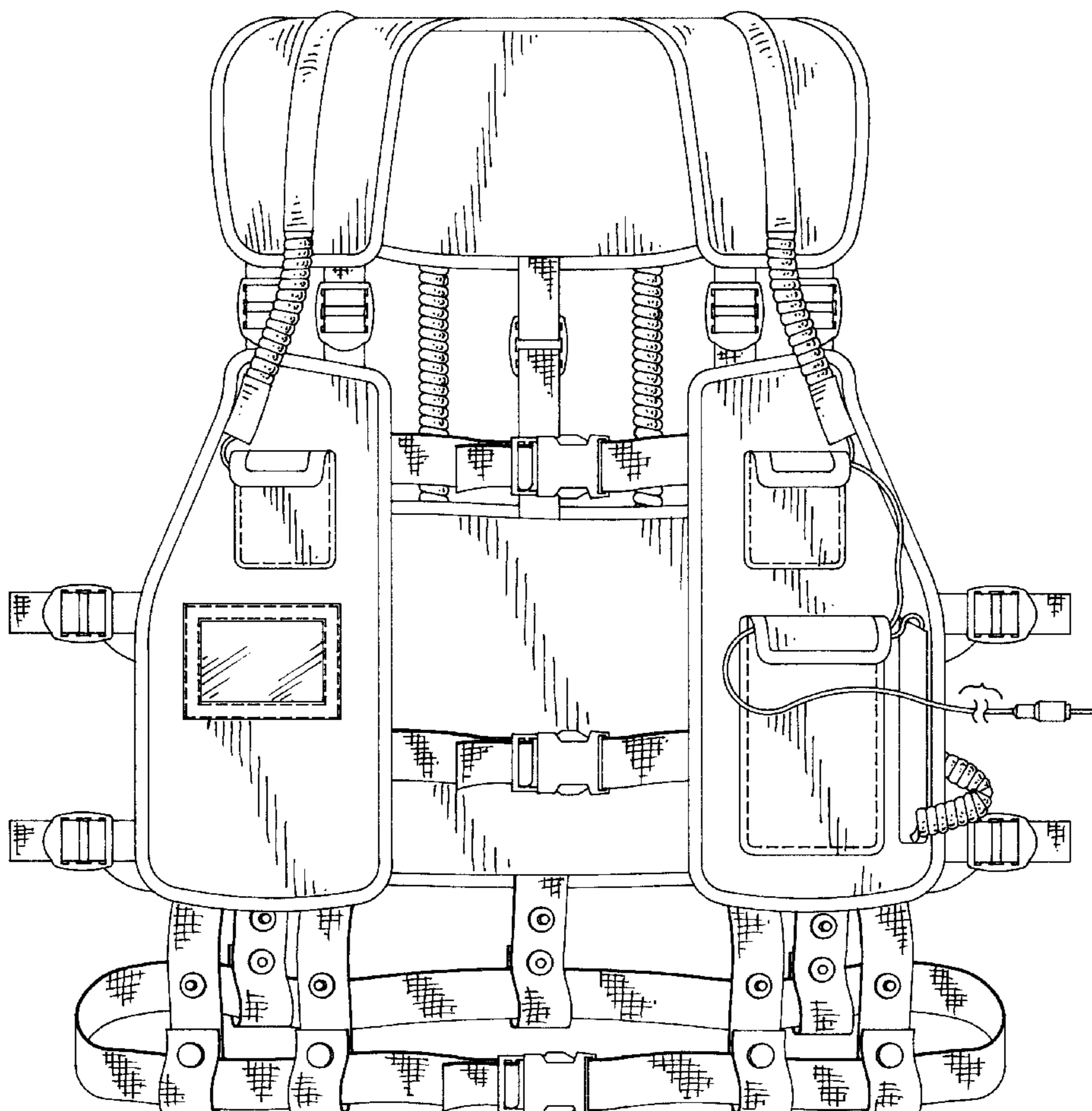
[57] CLAIM

I claim the ornamental design for a vest for use with a video game system, as shown and described.

DESCRIPTION

FIG. 1 is a front elevational view of a vest for use with a video game system showing my new design the transmitter cable being shown throughout the views being of undetermined length; and the broken lines shown throughout the views being understood to represent conventional stitching. FIG. 2 is a rear elevational view thereof; FIG. 3 is a right side elevational view thereof; FIG. 4 is a left side elevational view thereof; FIG. 5 is a top plan view thereof; and, FIG. 6 is a bottom plan view thereof.

1 Claim, 4 Drawing Sheets



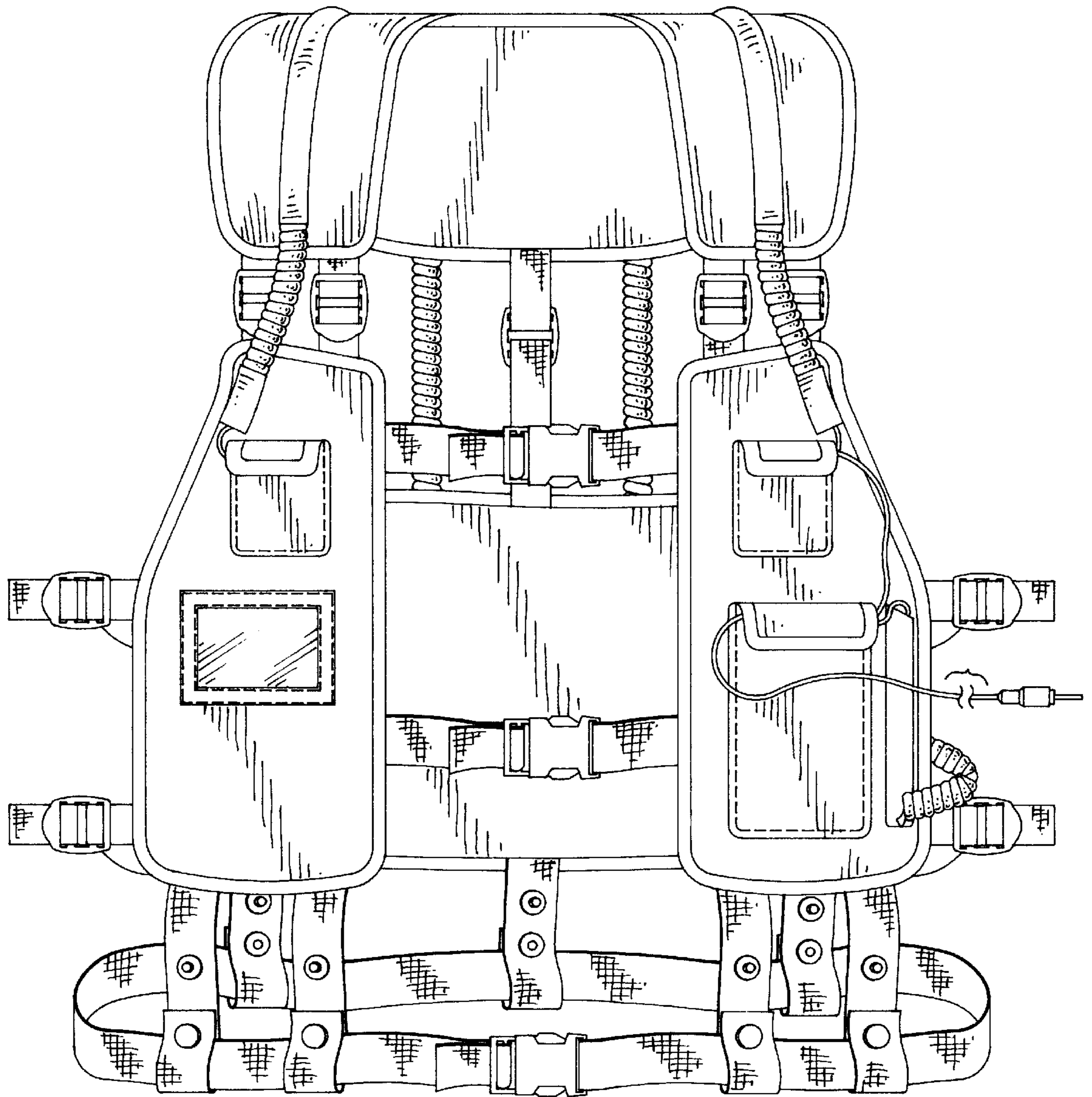


FIG. 1

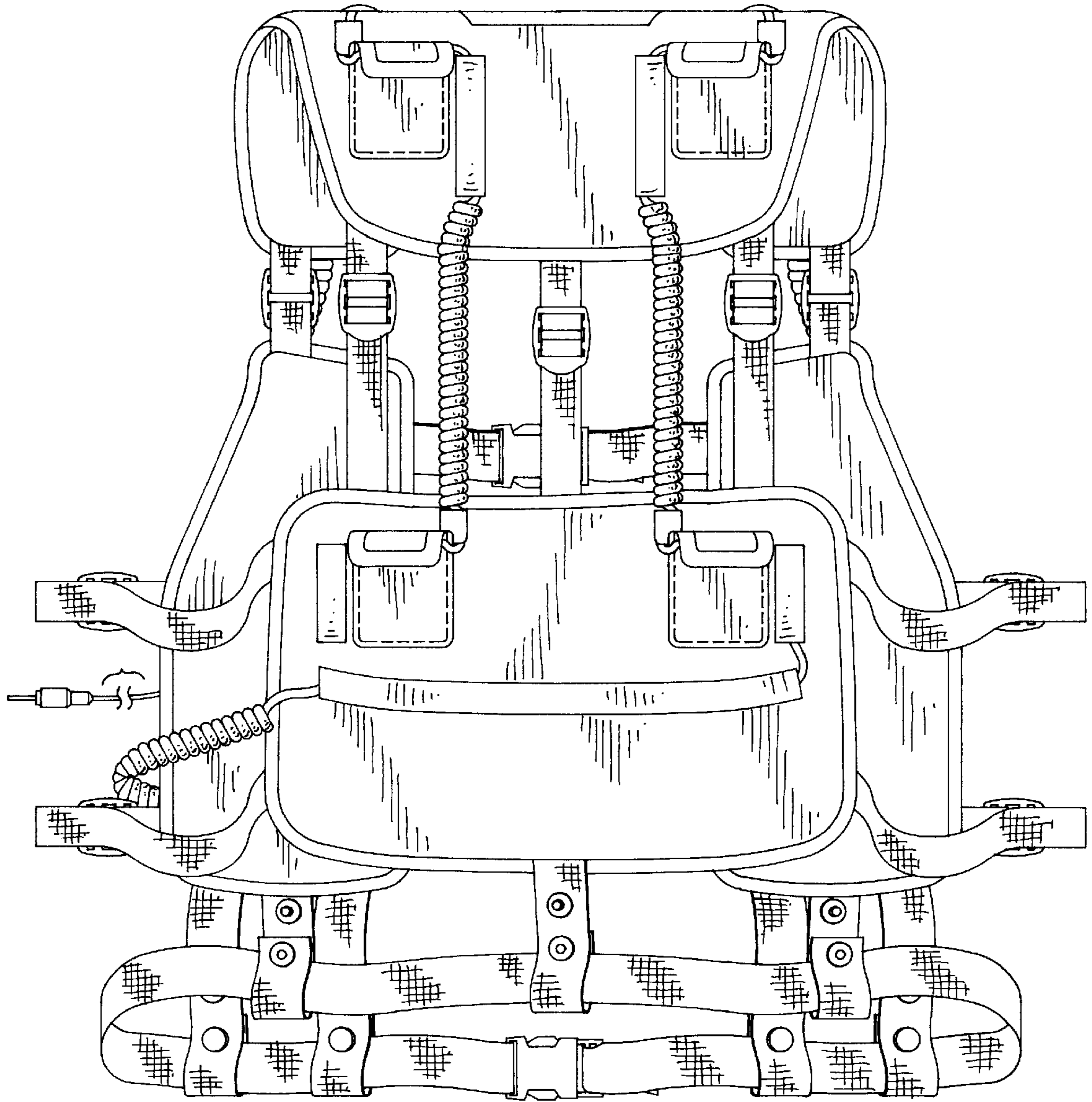


FIG. 2

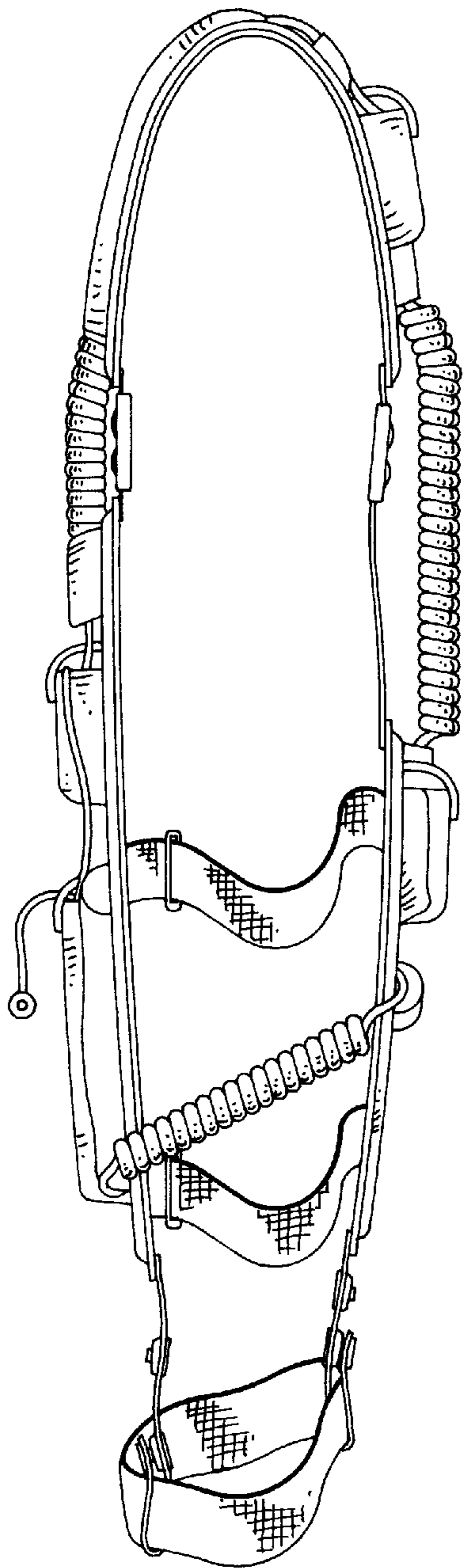


FIG. 3

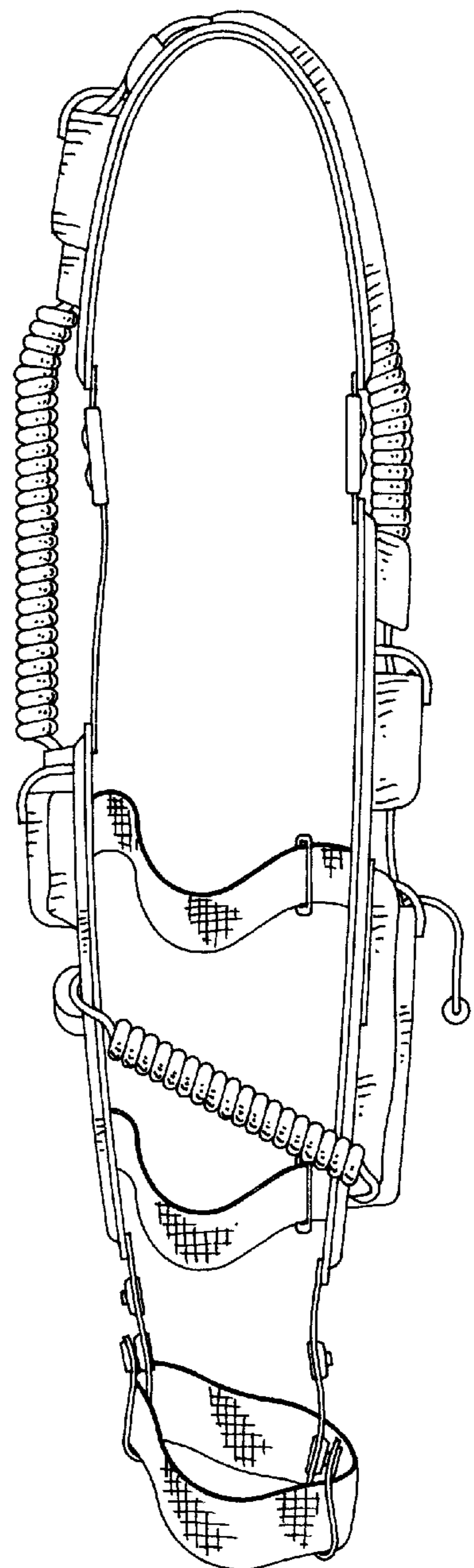


FIG. 4

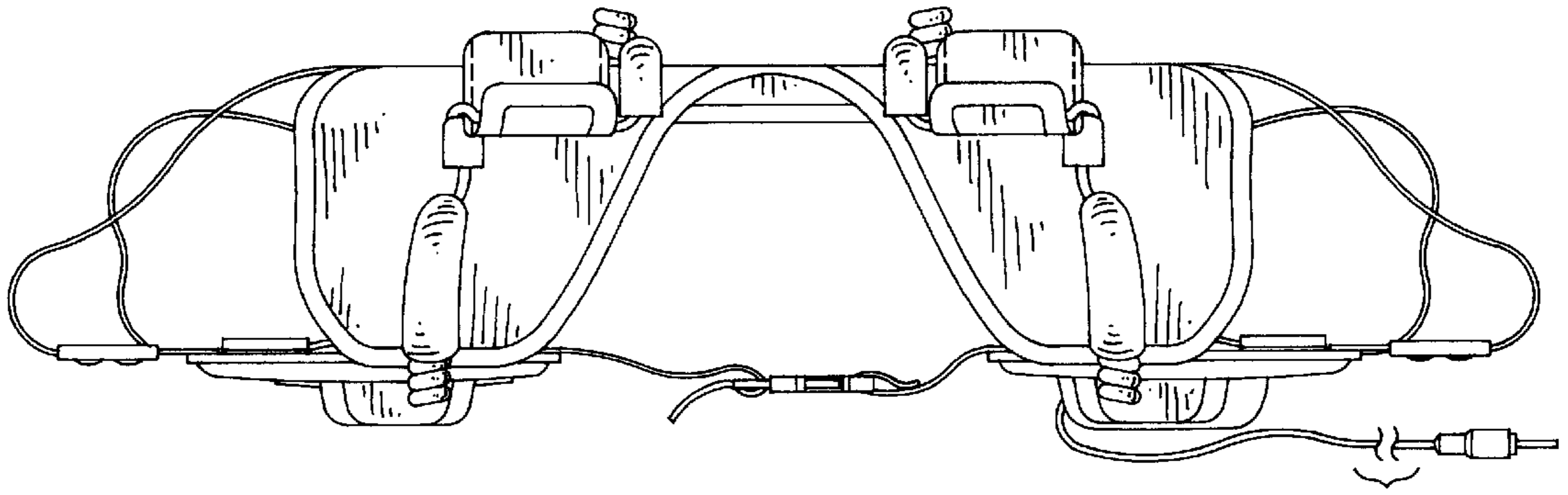


FIG. 5

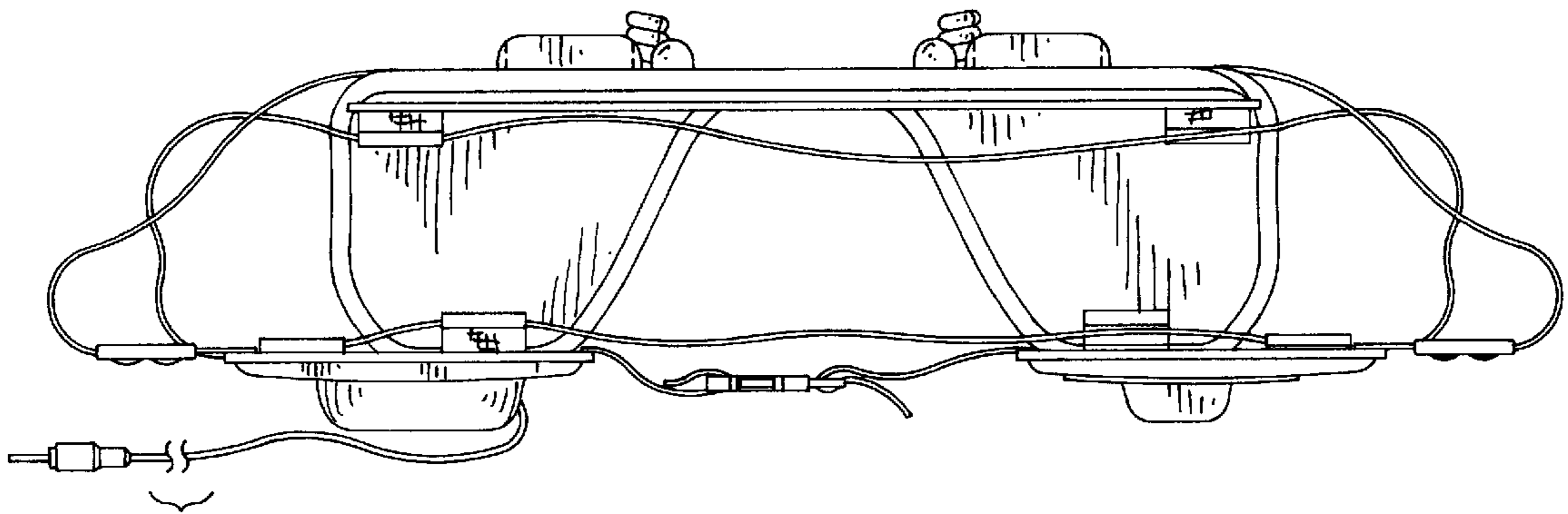


FIG. 6