



US00D411561S

United States Patent [19]
Hall et al.

[11] **Patent Number: Des. 411,561**
[45] **Date of Patent: ** Jun. 29, 1999**

[54] **EYEWEAR END PIECE**

[75] Inventors: **James Hall**, Lincoln, R.I.; **Raoul Desy**,
Sturbridge; **John Salce**, Auburn, both of
Mass.

[73] Assignee: **Cabot Safety Intermediate
Corporation**, Newark, Del.

[**] Term: **14 Years**

[21] Appl. No.: **29/093,186**

[22] Filed: **Sep. 4, 1998**

Related U.S. Application Data

[63] Continuation of application No. 08/770,920, Dec. 20, 1996.

[51] **LOC (6) Cl.** **16-06**

[52] **U.S. Cl.** **D16/334**

[58] **Field of Search** D16/300-330,
D16/334-337; 351/41, 44, 51, 52, 111,
114, 116, 118-121, 140-152, 158; 2/448

[56] **References Cited**

U.S. PATENT DOCUMENTS

D. 362,010	9/1995	Simioni	D16/314
D. 365,357	12/1995	Jannard	D16/335
D. 370,930	6/1996	Yamamoto	D16/314
D. 376,163	12/1996	Jannard et al.	D16/334
D. 387,796	12/1997	Karasik	D16/314

D. 394,276	5/1998	Peschel	D16/315
D. 400,558	11/1998	Hall et al.	D16/327
2,135,791	11/1938	Bouchard	351/149
5,661,535	8/1997	Wang	351/111
5,748,281	5/1998	Simioni et al.	351/121
5,760,867	6/1998	Pernicka et al.	351/149

Primary Examiner—Raphael Barkai
Attorney, Agent, or Firm—Cantor Colburn LLP

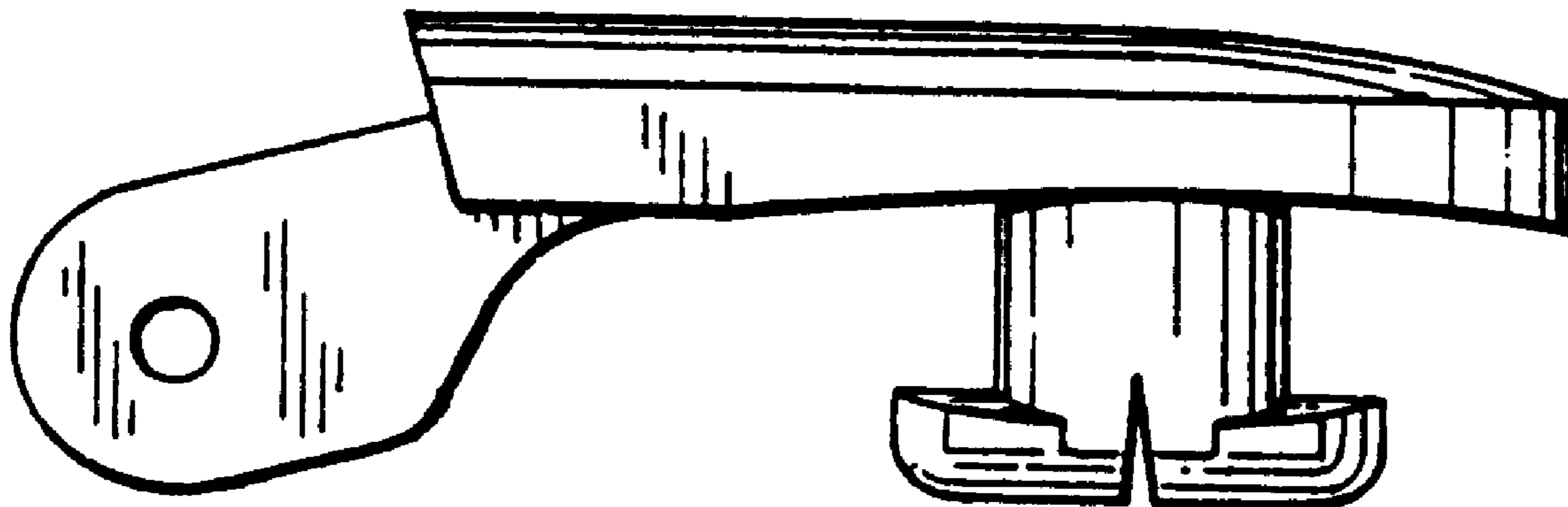
[57] **CLAIM**

The ornamental design of an eyewear end piece, as shown and described.

DESCRIPTION

FIG. 1 is a front view of an eyewear end piece showing our new design;
 FIG. 2 is a bottom plan view thereof, the top plan view being a mirror image thereof;
 FIG. 3 is a rear view thereof;
 FIG. 4 is a left end view thereof;
 FIG. 5 is a right end view thereof;
 FIG. 6 is a front view of an eyewear end piece showing a second embodiment of our new design;
 FIG. 7 is a bottom plan view thereof, the top plan view being a mirror image thereof;
 FIG. 8 is a rear view thereof;
 FIG. 9 is a left end view thereof; and,
 FIG. 10 is a right end view thereof.

1 Claim, 2 Drawing Sheets



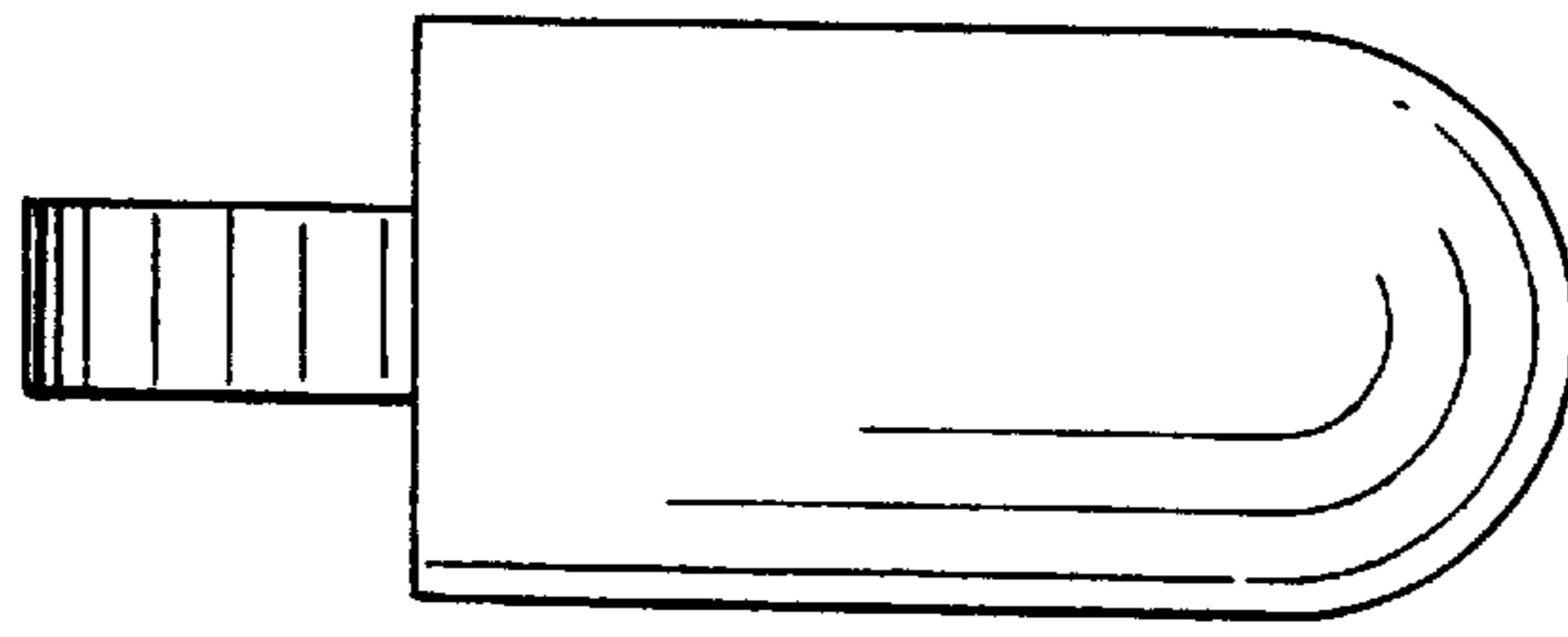


FIG. 1

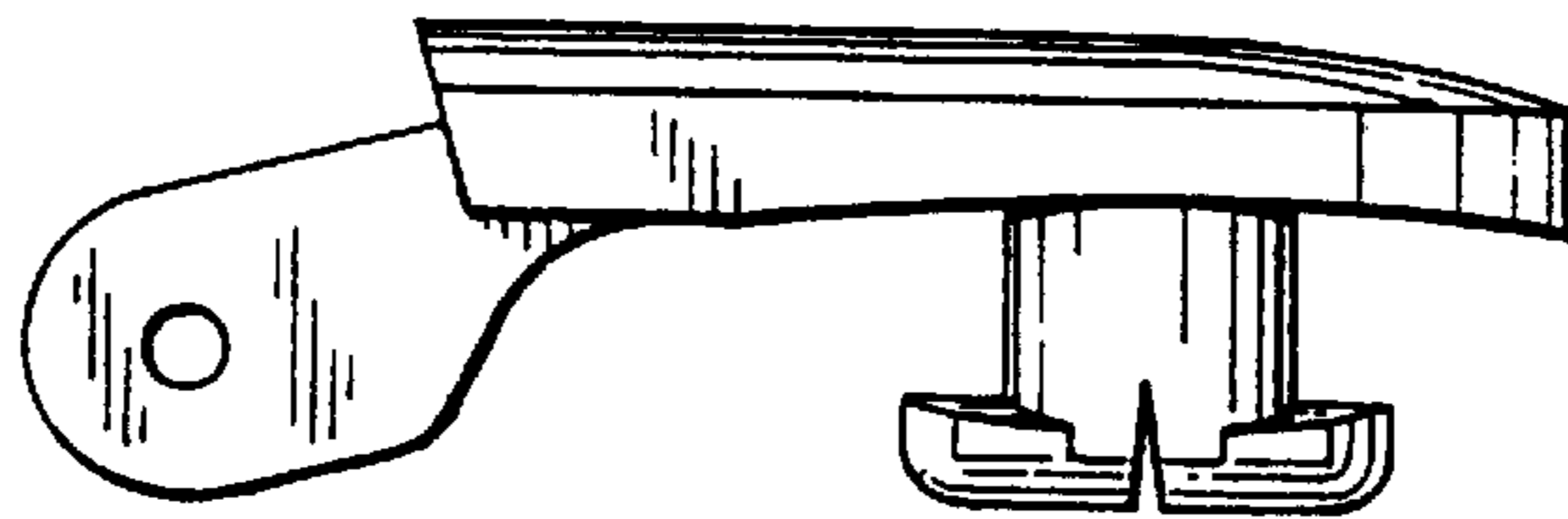


FIG. 2

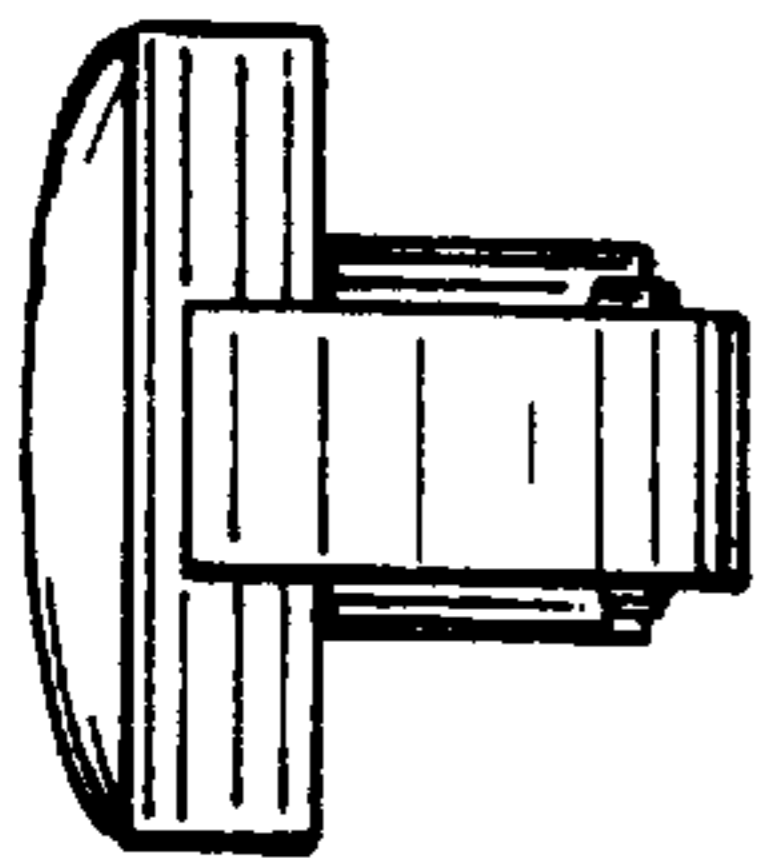


FIG. 4

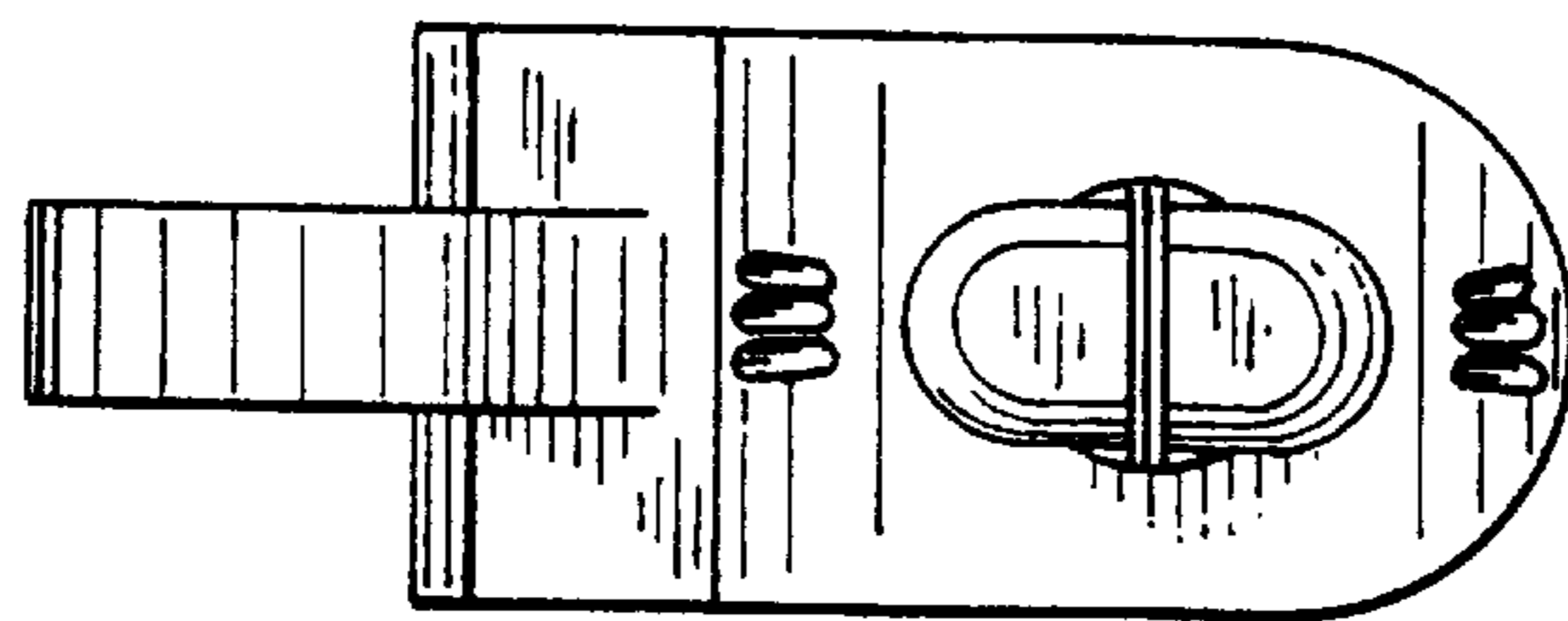


FIG. 3

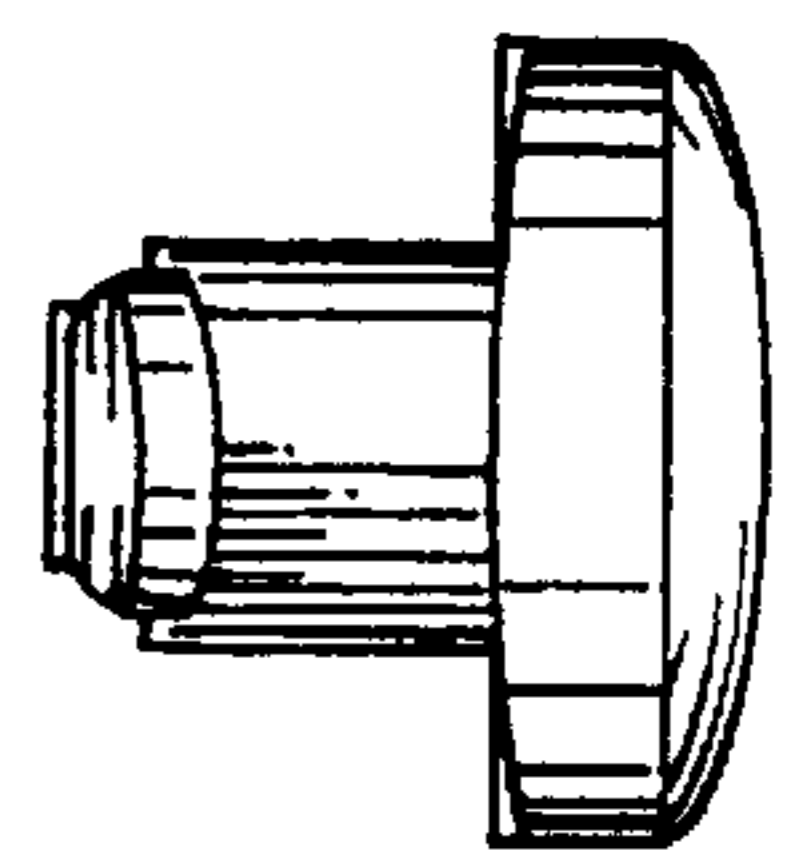


FIG. 5

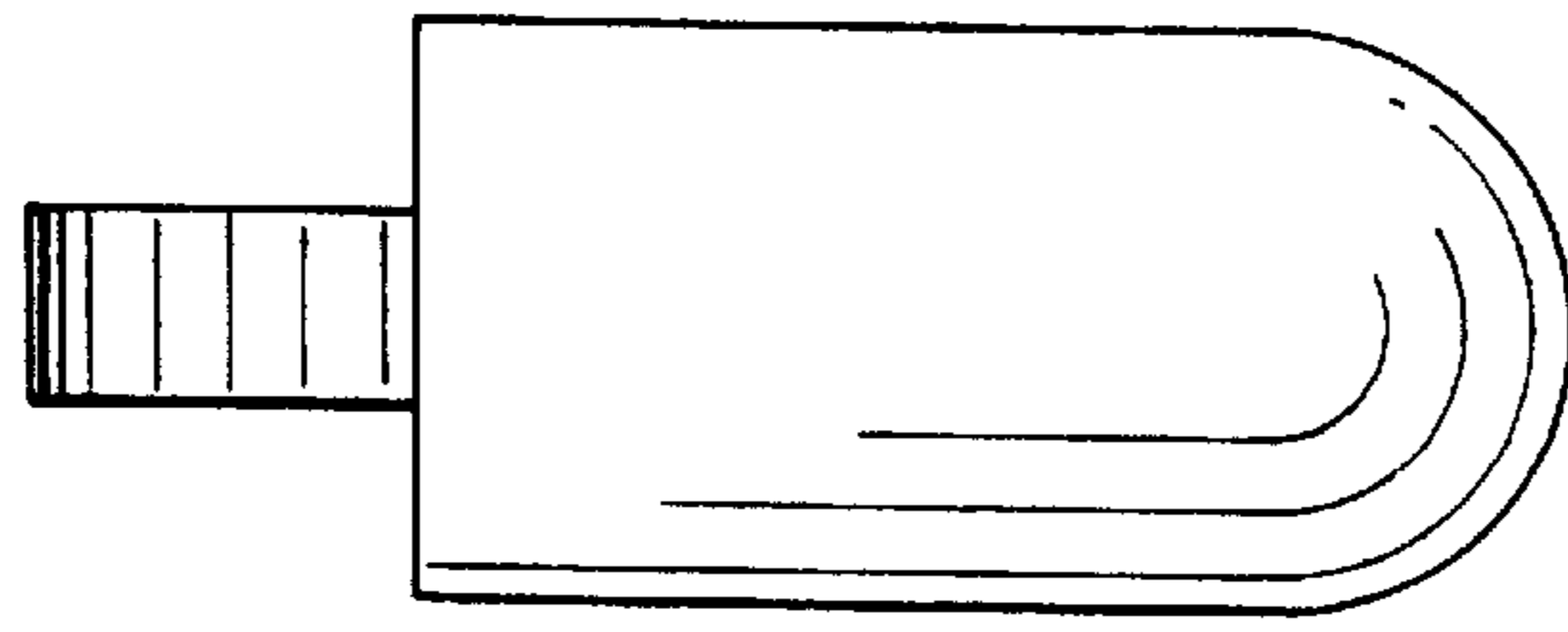


FIG. 6

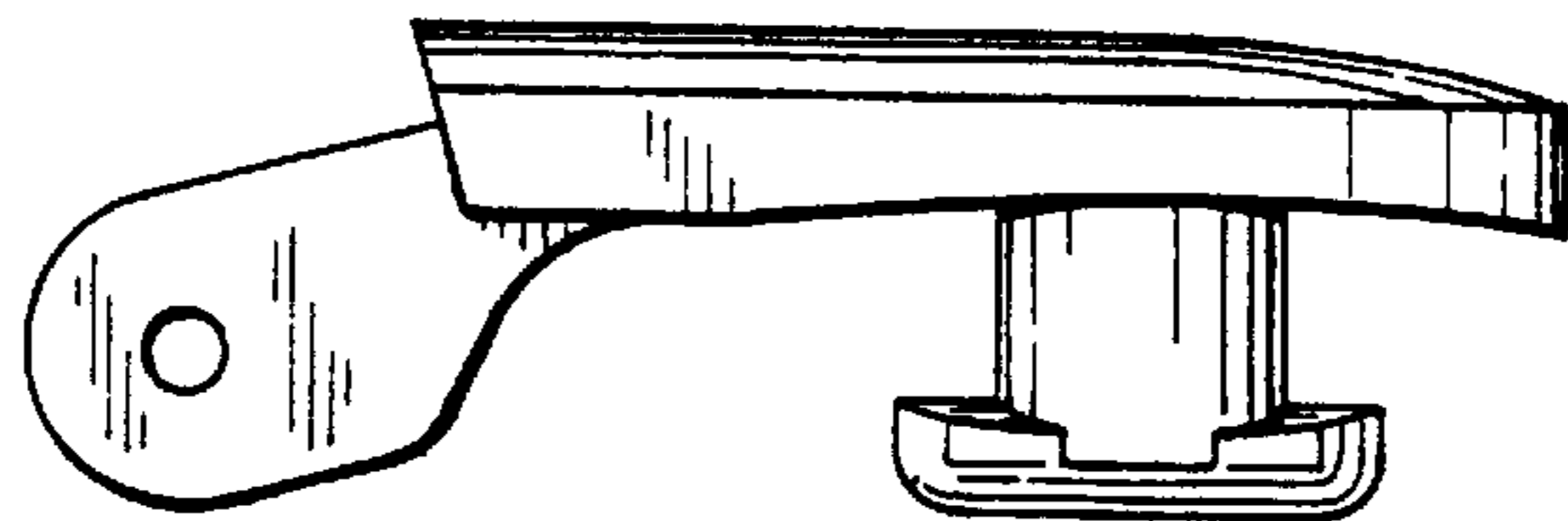


FIG. 7

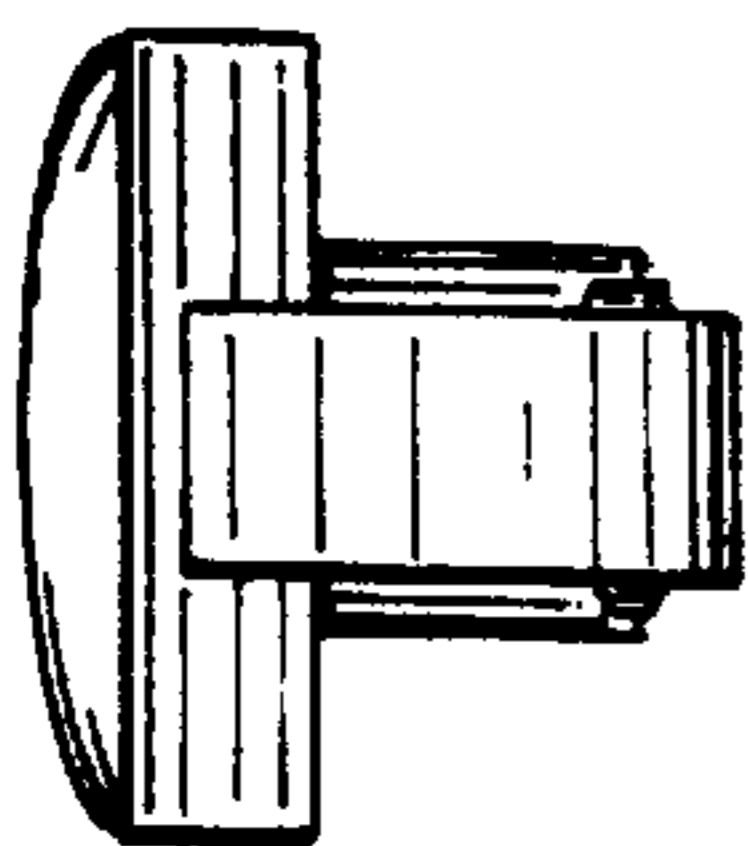


FIG. 9

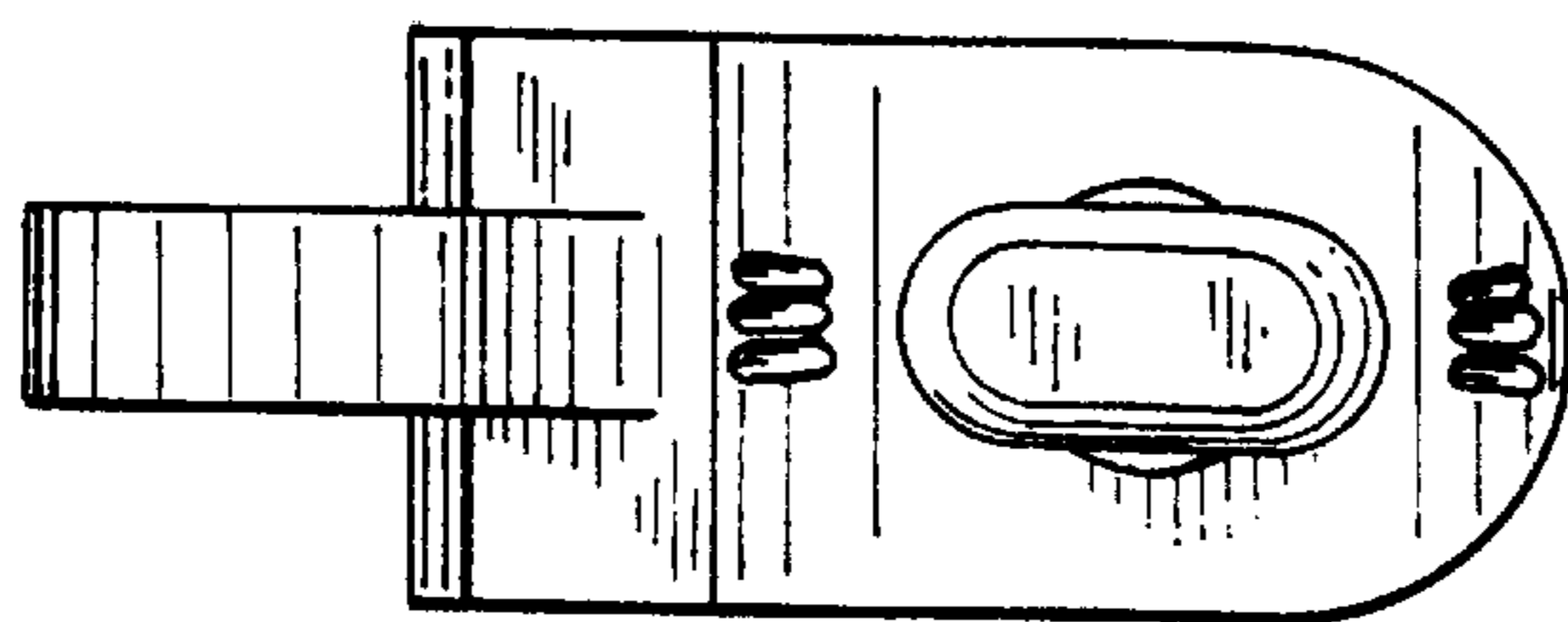


FIG. 8

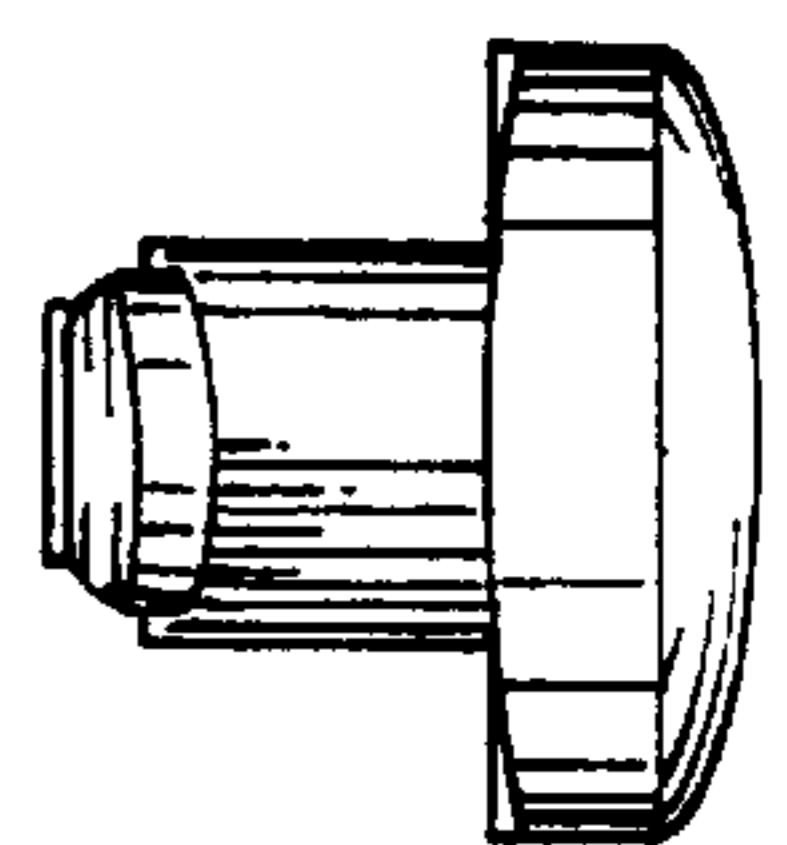


FIG. 10