



US00D411556S

United States Patent [19]

[11] Patent Number: Des. 411,556

Nagai et al.

[45] Date of Patent: ** Jun. 29, 1999

[54] ACTUATOR BODY

[75] Inventors: **Shigekazu Nagai**, Tokyo; **Masaki Miyahara**, Ibaraki-ken, both of Japan

[73] Assignee: **SMC Kabushiki Kaisha**, Tokyo, Japan

[**] Term: **14 Years**

[21] Appl. No.: **29/087,164**

[22] Filed: **Apr. 28, 1998**

[30] Foreign Application Priority Data

Nov. 6, 1997	[JP]	Japan	9-74044
Nov. 6, 1997	[JP]	Japan	9-74045
Nov. 6, 1997	[JP]	Japan	9-74046

[51] LOC (6) Cl. **15-09**

[52] U.S. Cl. **D15/199**

[58] Field of Search D15/143, 148,
D15/149, 199; 74/89.15, 89.22, 490.09;
310/80, 20; 474/148

[56] References Cited

U.S. PATENT DOCUMENTS

D. 379,468	5/1997	Nagai et al.	D15/199
5,761,960	6/1998	Nagai et al.	74/89.15

Primary Examiner—Antoine Duval Davis
Attorney, Agent, or Firm—Frishauf, Holtz, Goodman,
Langer & Chick

[57] CLAIM

The ornamental design for an actuator body, as shown and described.

DESCRIPTION

FIG. 1 is a top, front and left side perspective view of an actuator body showing our new design;
 FIG. 2 is a front view thereof, the rear view being a mirror image thereof;
 FIG. 3 is a right side view thereof, the left side view thereof being identical with the right side view;
 FIG. 4 is a top plan view thereof;
 FIG. 5 is a bottom plan view thereof;
 FIG. 6 is a top, front and left side perspective view of a second embodiment thereof;
 FIG. 7 is a front view thereof, the rear view being a mirror image thereof;
 FIG. 8 is a right side view thereof, the left side view thereof being identical with the right side view;
 FIG. 9 is a top plan view thereof;
 FIG. 10 is a bottom plan view thereof;
 FIG. 11 is a top, front and left side perspective view of a third embodiment thereof;
 FIG. 12 is a front view thereof, the rear view being a mirror image thereof;
 FIG. 13 is a right side view thereof, the left side view thereof being identical with the right side view;
 FIG. 14 is a top plan view thereof; and,
 FIG. 15 is a bottom plan view thereof.

1 Claim, 9 Drawing Sheets

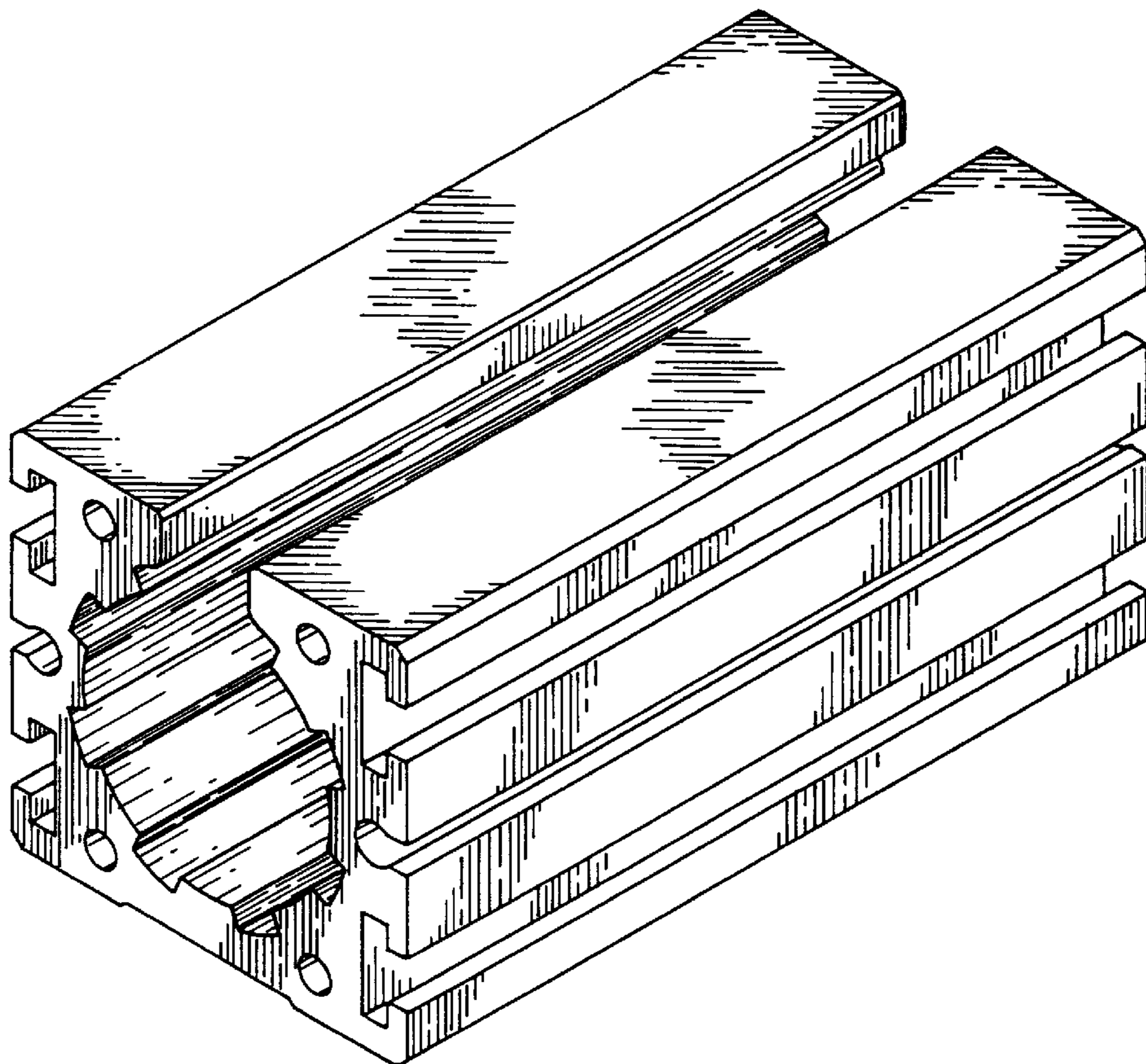


FIG. 1

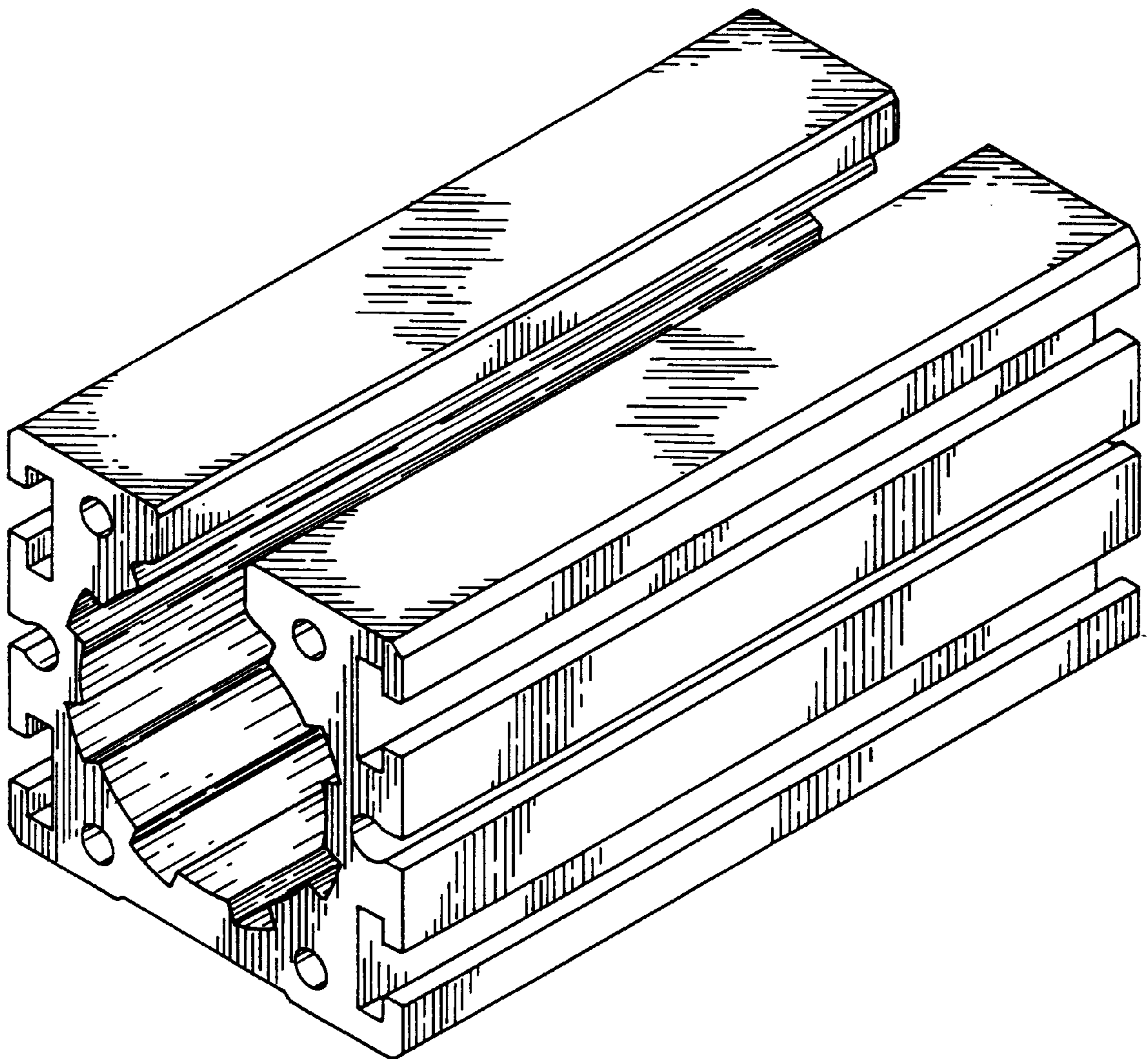


FIG. 2

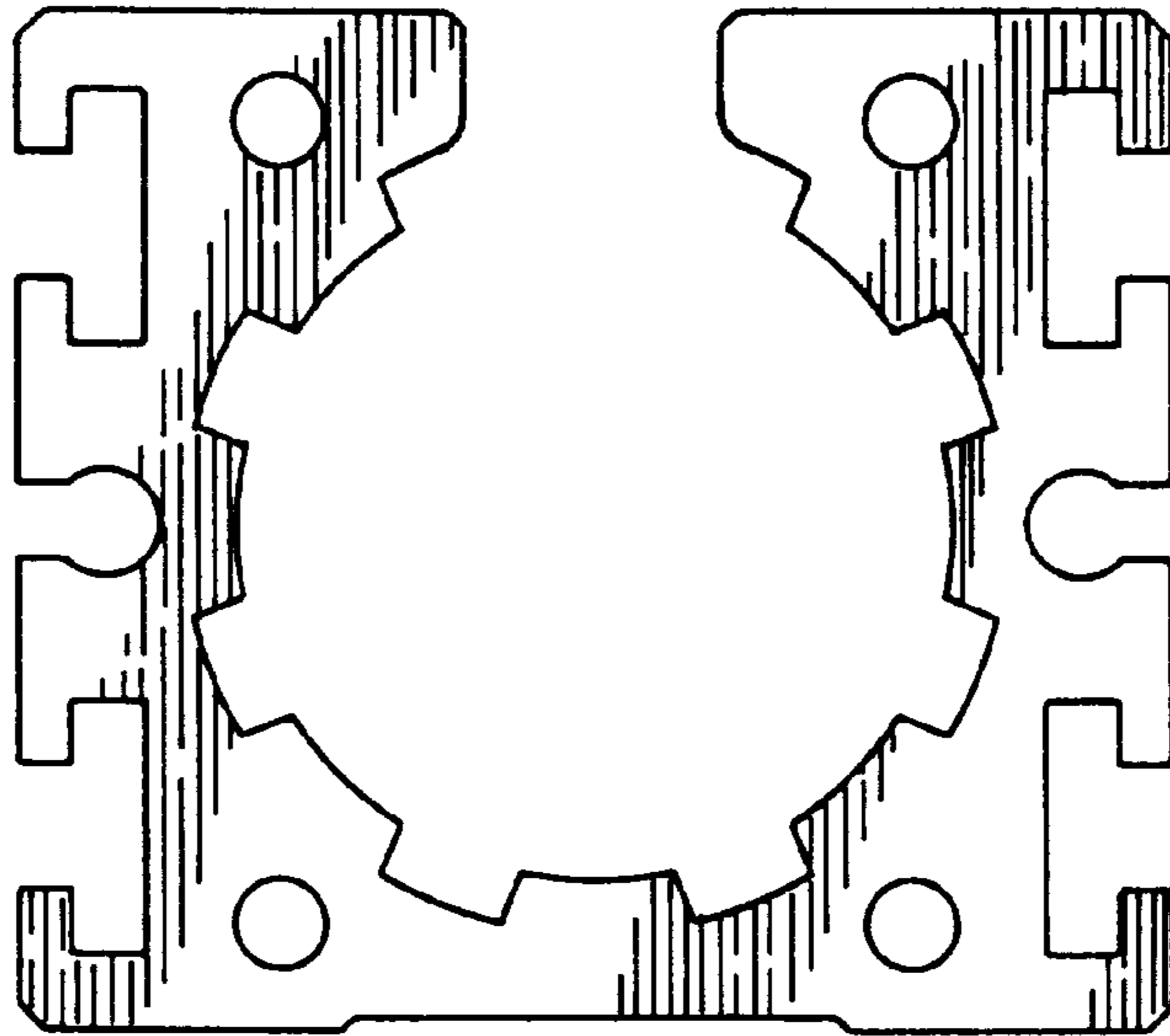


FIG. 3

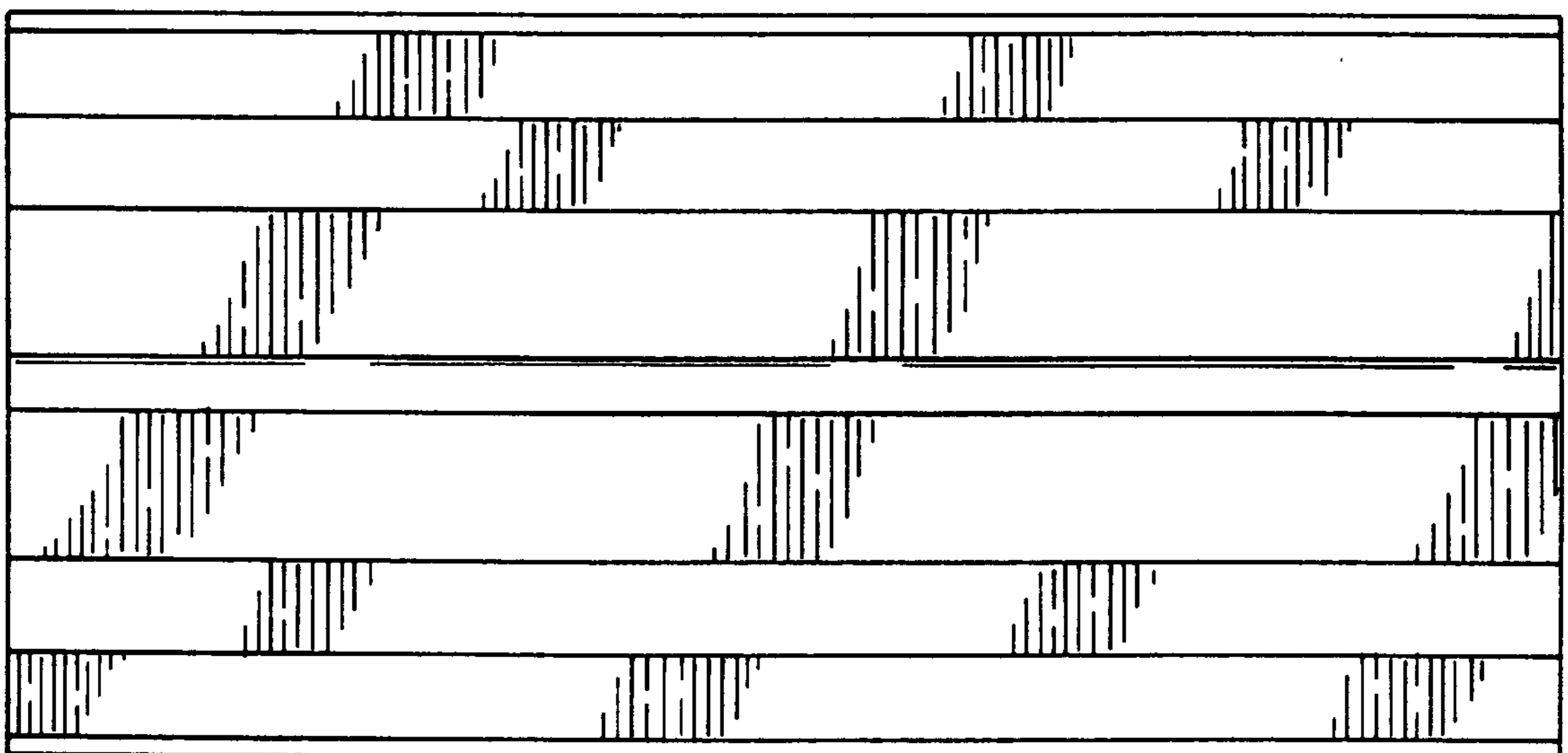


FIG. 4

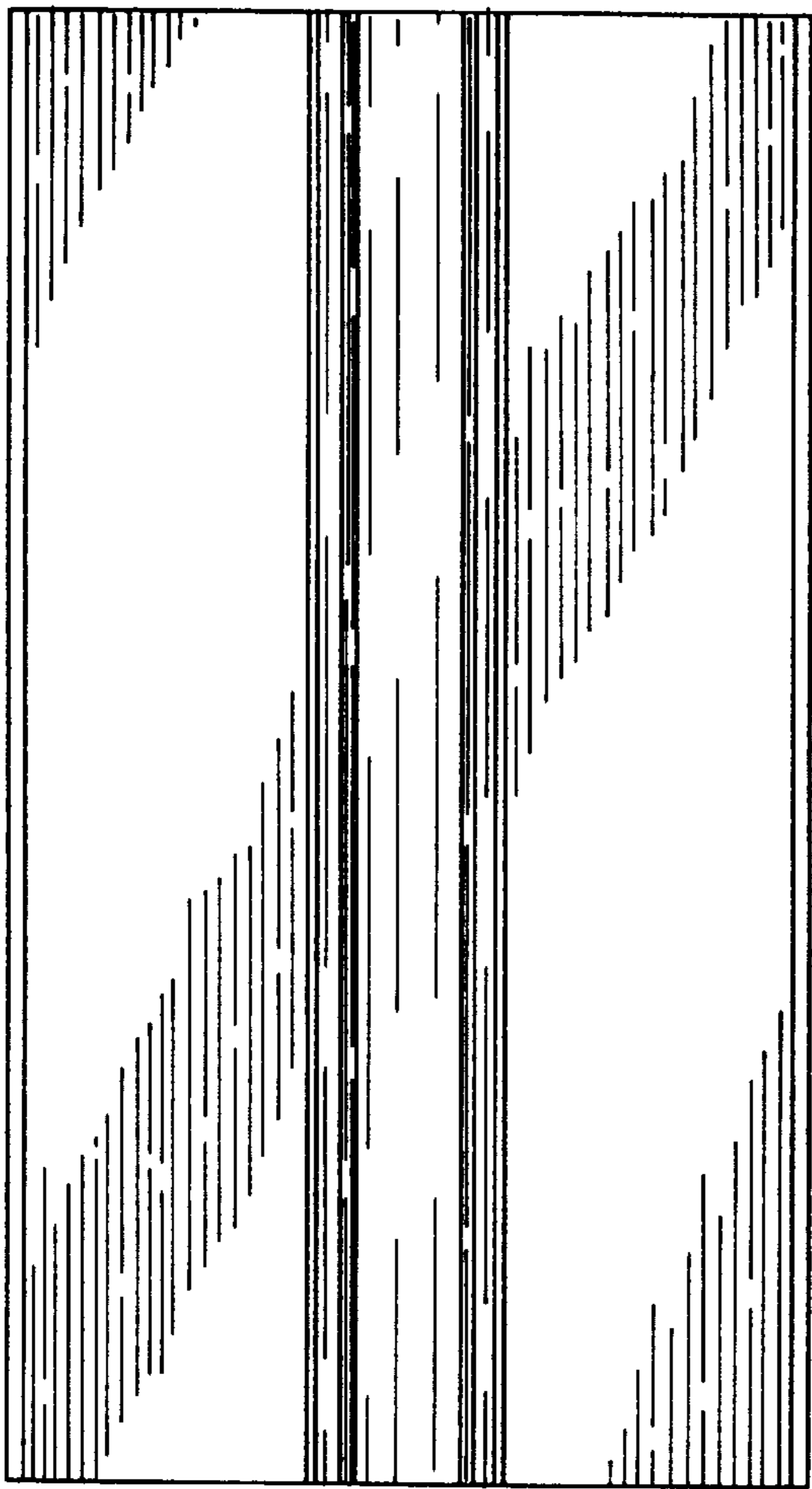


FIG. 5

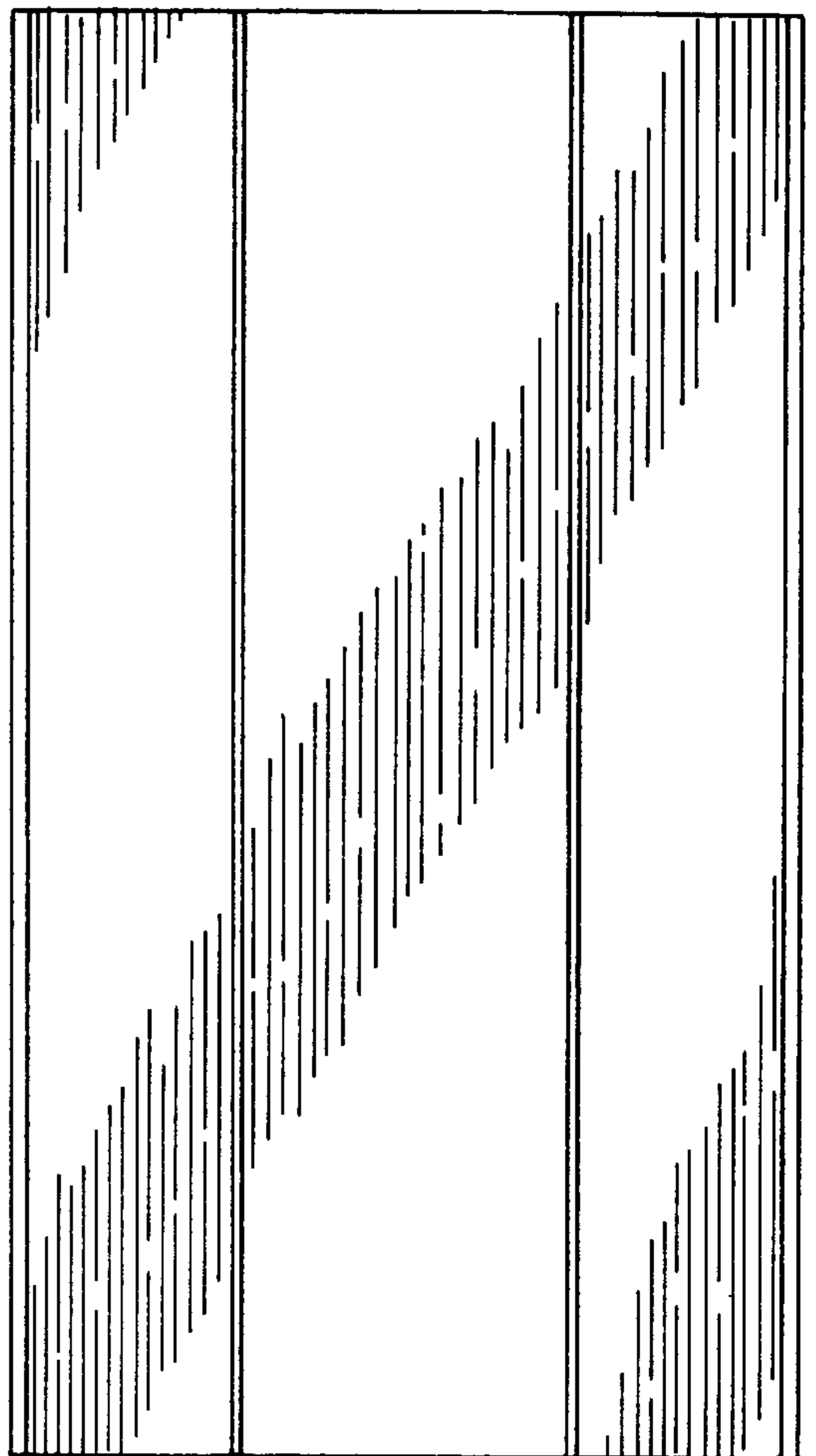


FIG. 6

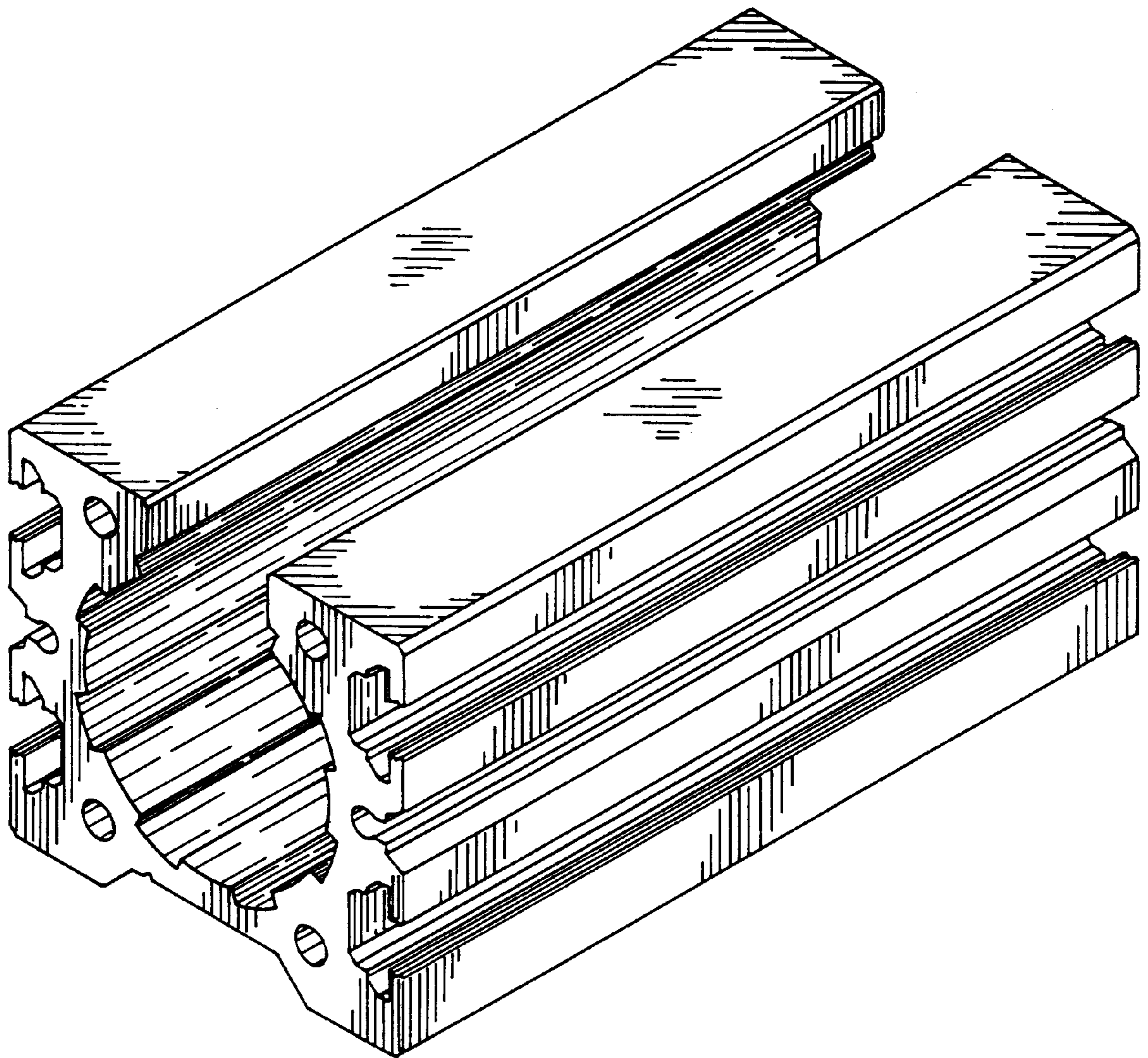


FIG. 7

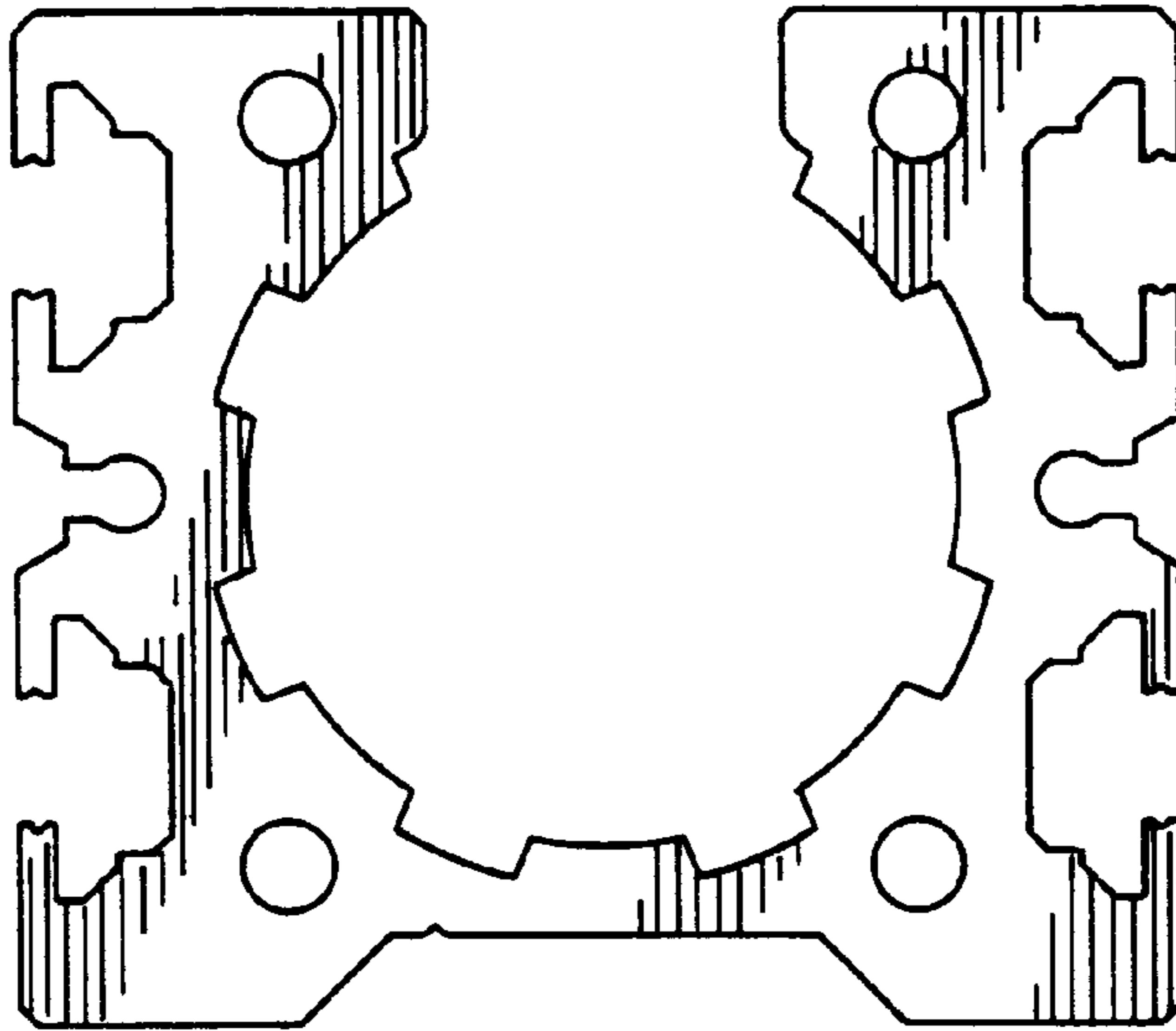


FIG. 8

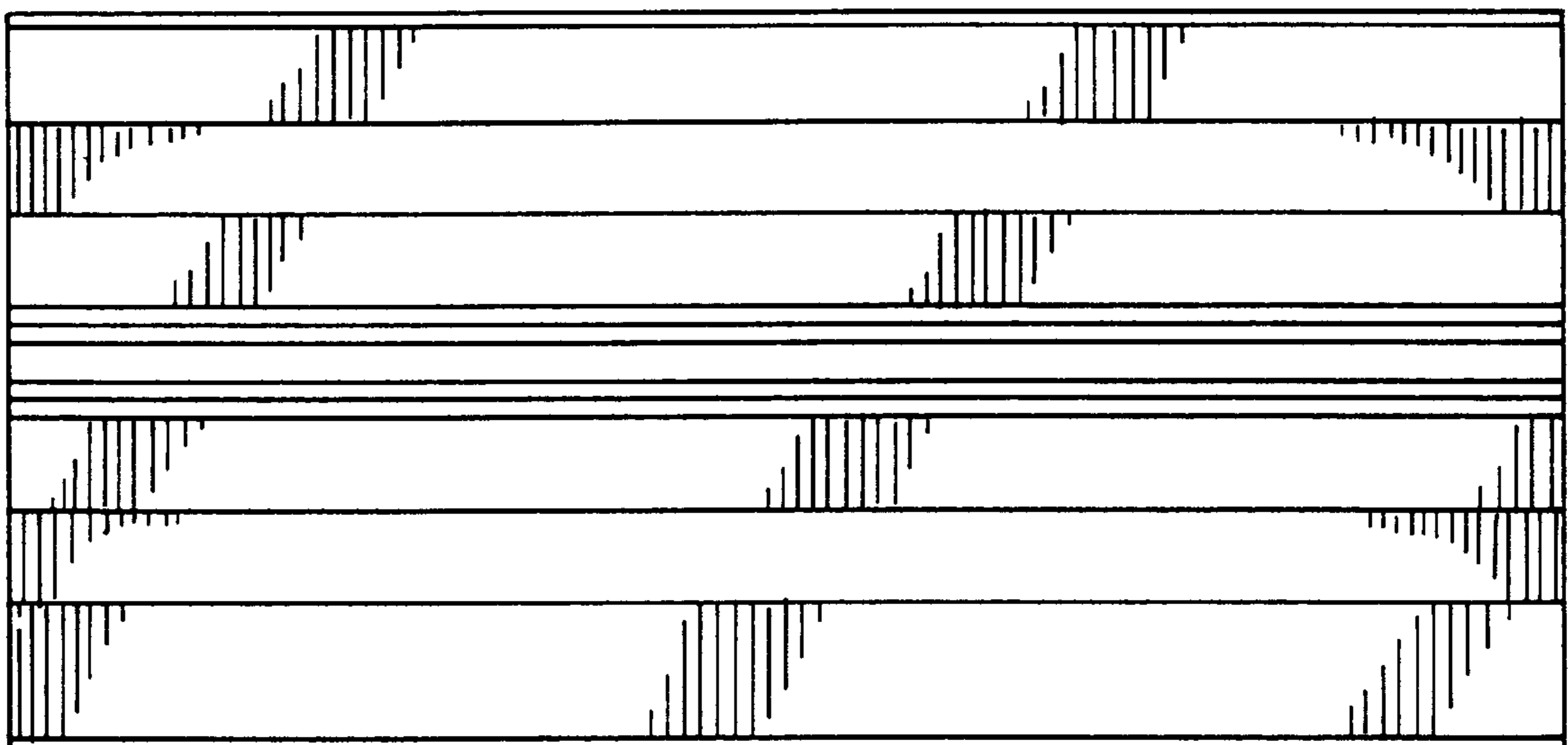


FIG. 9

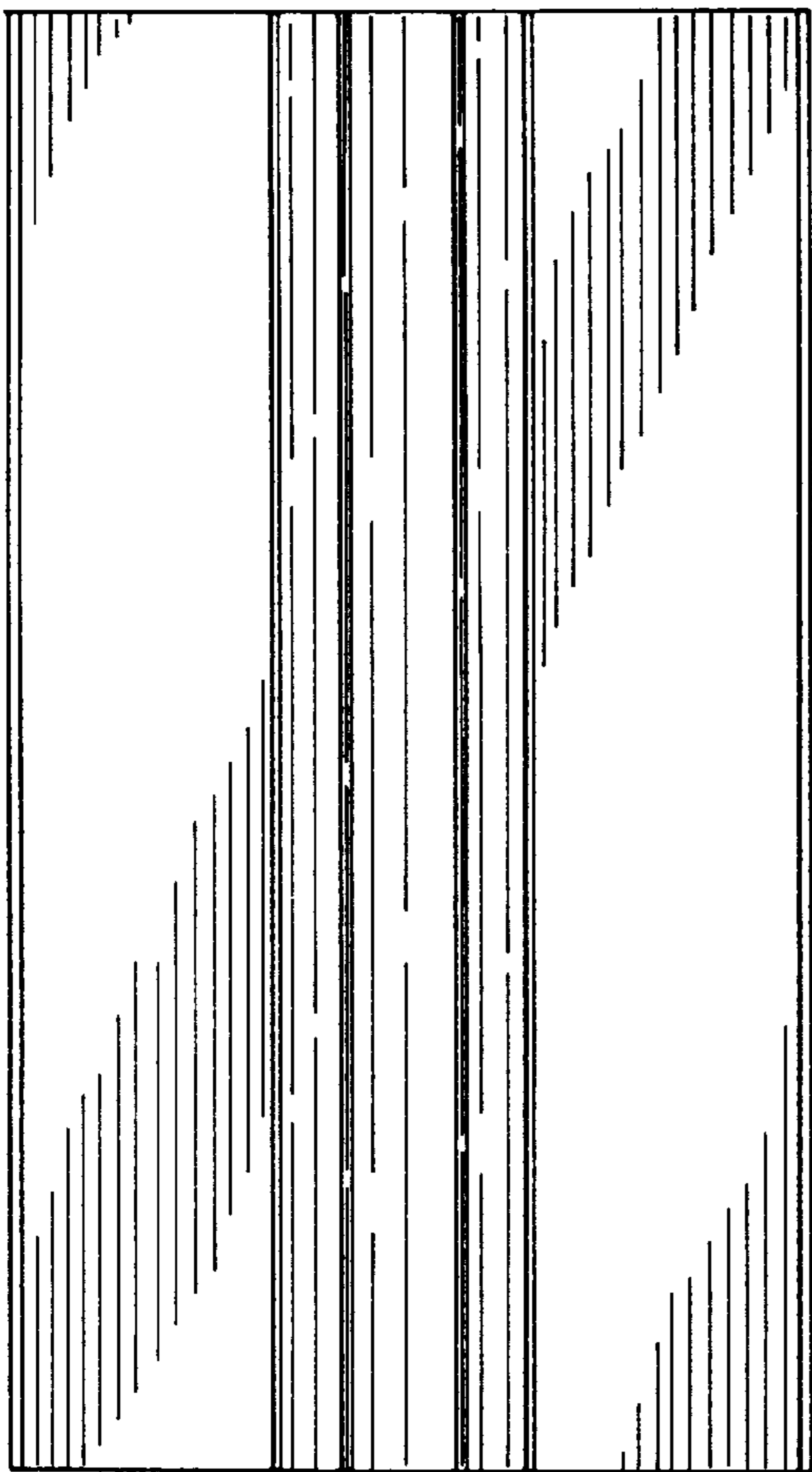


FIG. 10

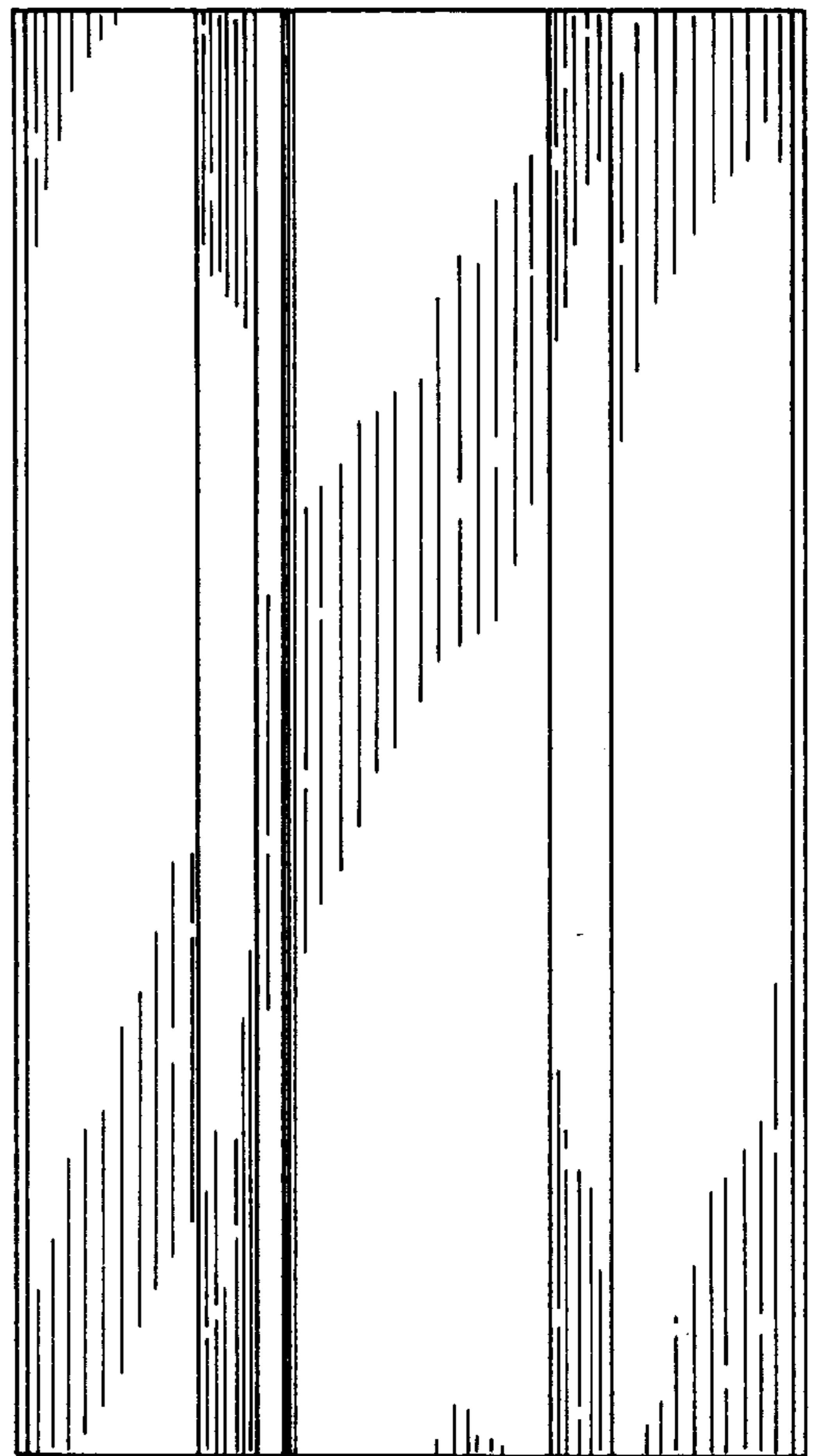


FIG. 11

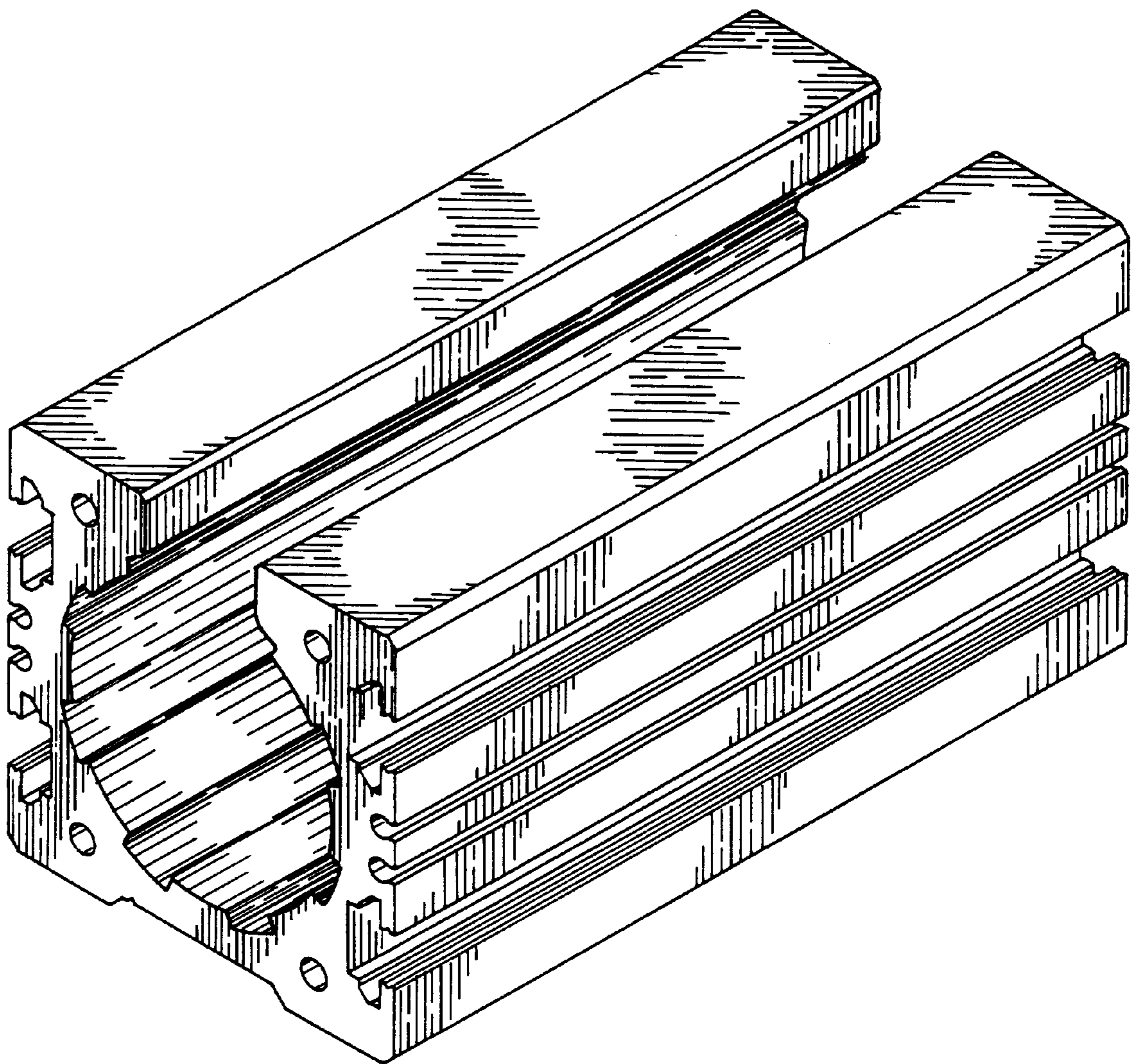


FIG. 12

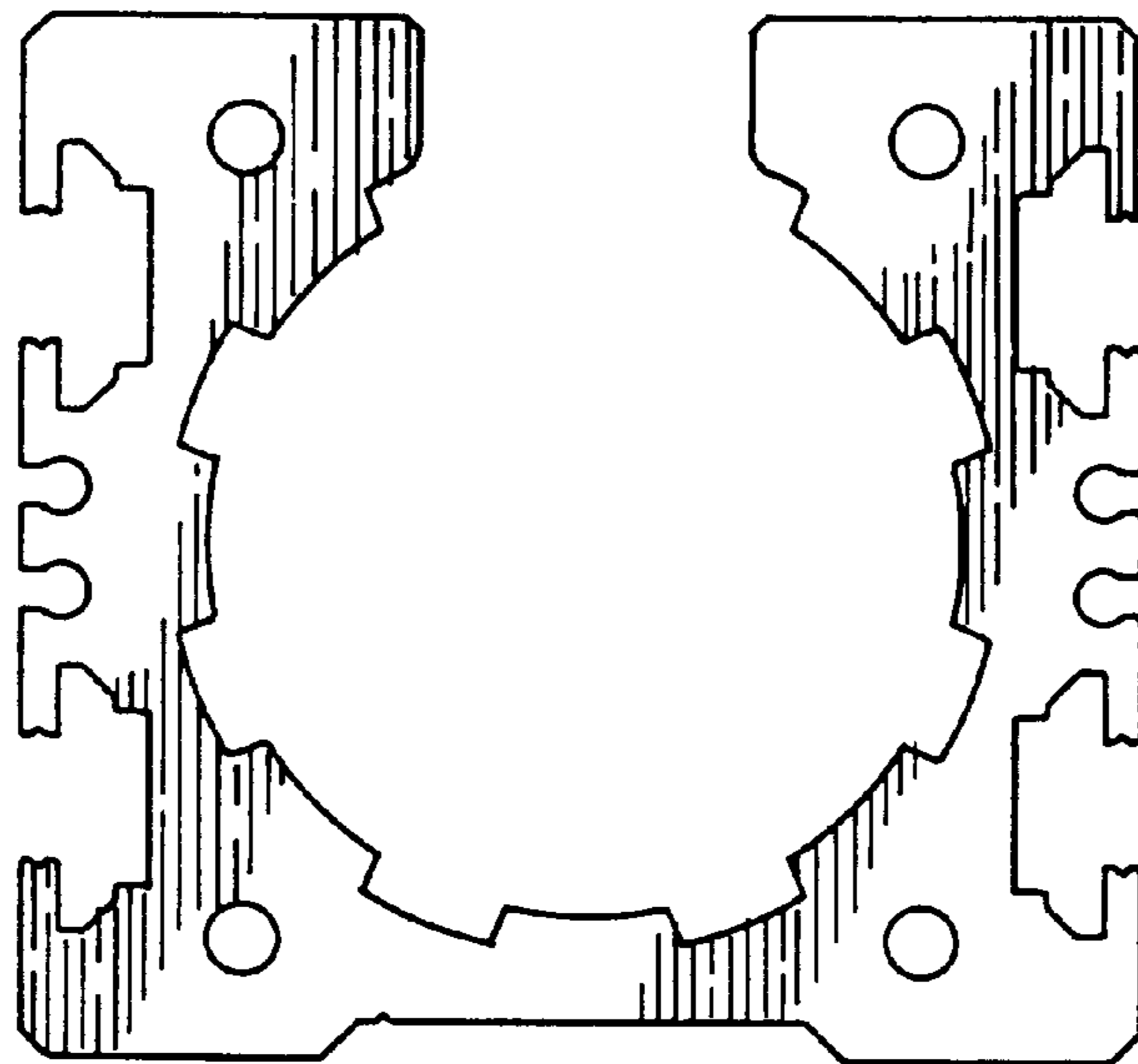


FIG. 13

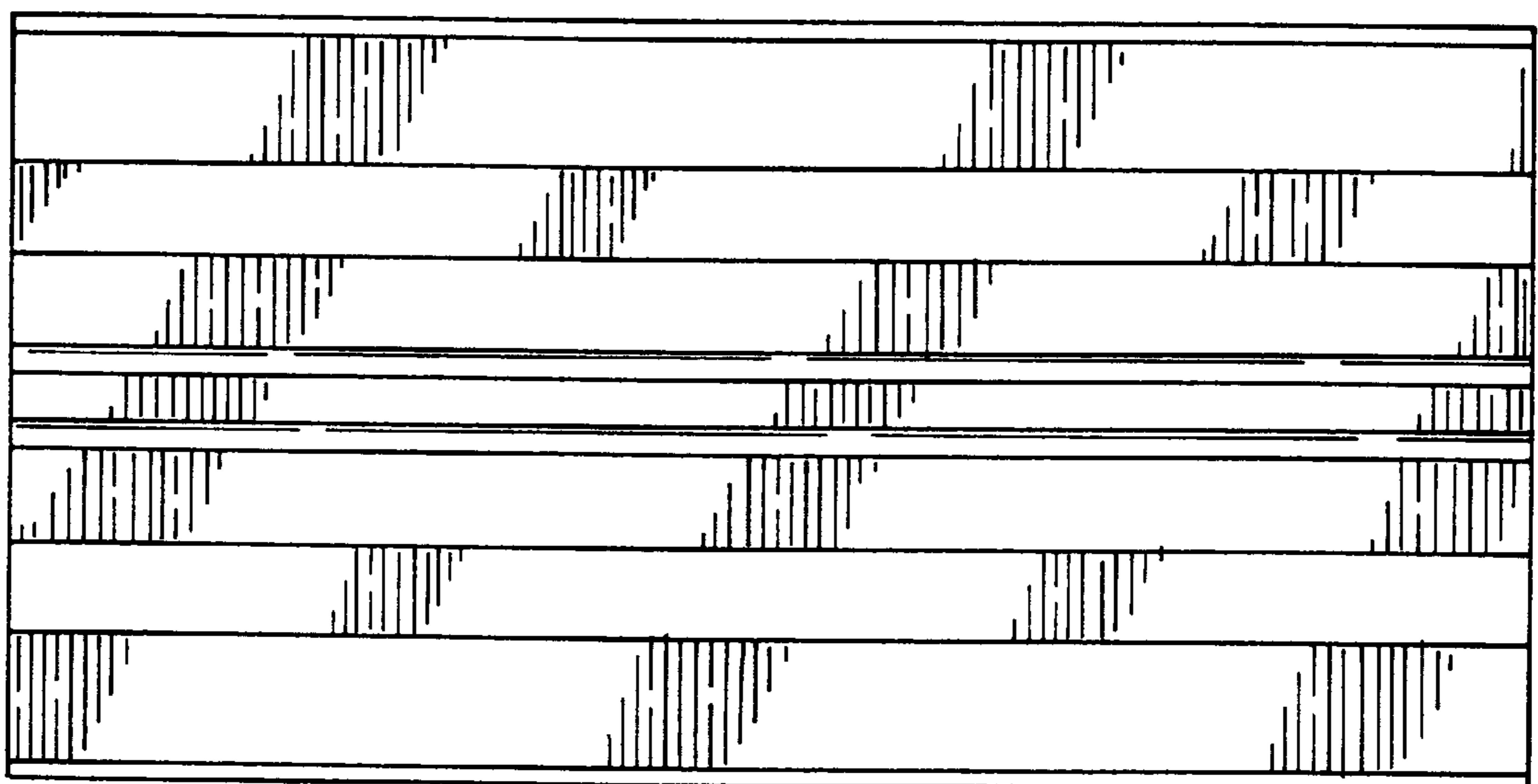


FIG. 14

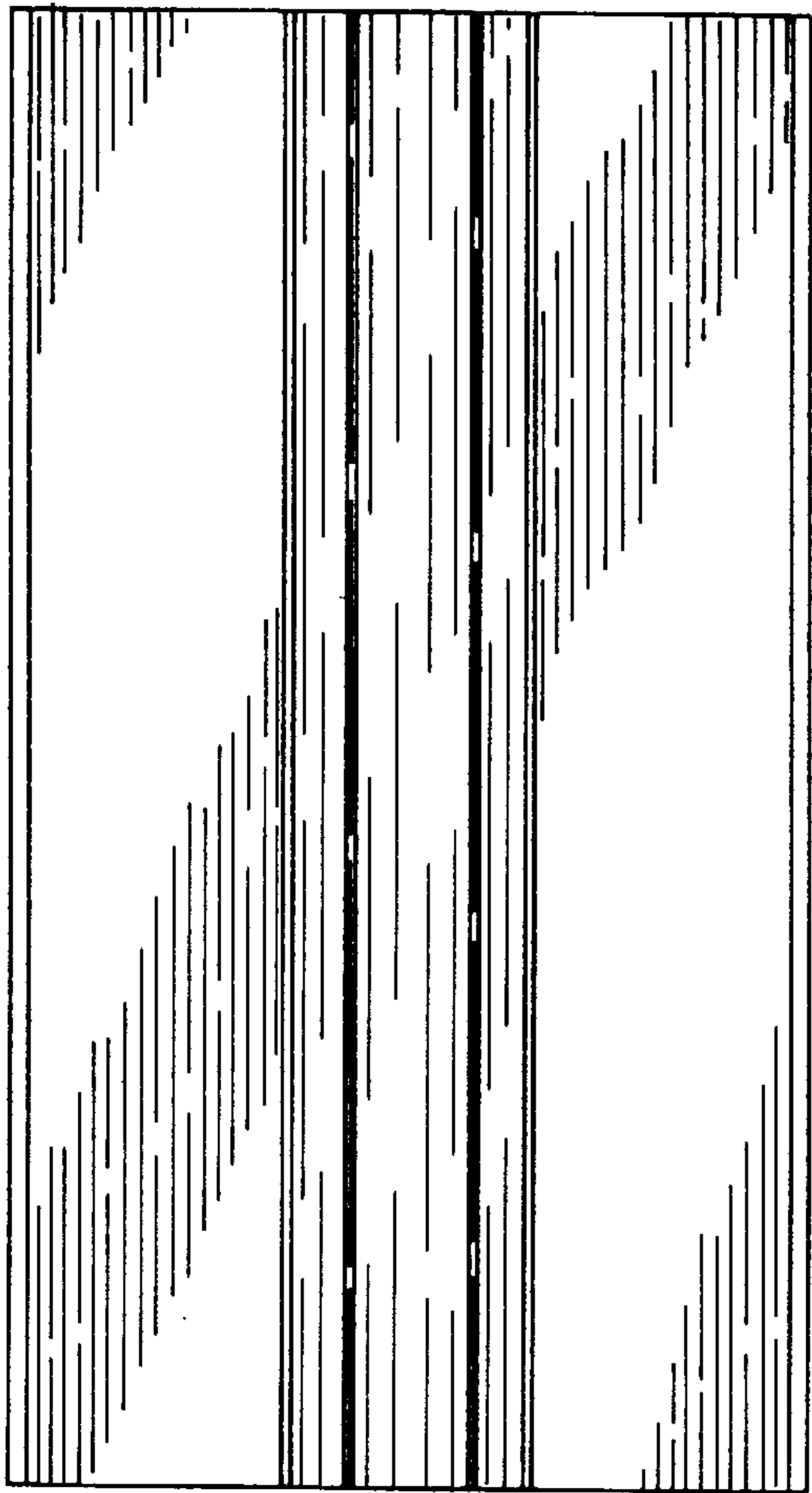


FIG. 15

