



US00D411551S

# United States Patent [19]

[11] Patent Number: Des. 411,551

Bernadic et al.

[45] Date of Patent: \*\* Jun. 29, 1999

[54] POLYGONAL INDEXABLE CUTTING INSERT

5,350,258 9/1994 Beeghly et al. .  
5,476,346 12/1995 Lundstrom .

[76] Inventors: **Thomas J. Bernadic**, 782 Tanglewood, Madison Heights, Mich. 48071; **Karl Katbi**, 3035 Waterfall, Troy, Mich. 48084; **Tony Lowe**, 502 E. Sunnybrook, Royal Oak, Mich. 48073; **Brendan Brockett**, 8652 Hazelton, Dearborn Hts., Mich. 48127

### OTHER PUBLICATIONS

TNMG-432-3S, TNMG 220408-3S.  
TNMG-432-GF, TNMG 220408-GF.  
TNMG-432-GR, TNMG 220408-GR.

*Primary Examiner*—Antoine Duval Davis  
*Attorney, Agent, or Firm*—Mary K. Cameron

[\*\*] Term: 14 Years

### [57] CLAIM

[21] Appl. No.: 29/090,218

The ornamental design for a polygonal indexable cutting insert, as shown.

[22] Filed: Jul. 2, 1998

### DESCRIPTION

[51] LOC (6) Cl. .... 15-04

[52] U.S. Cl. .... D15/139

[58] Field of Search ..... D15/139; 407/114-117

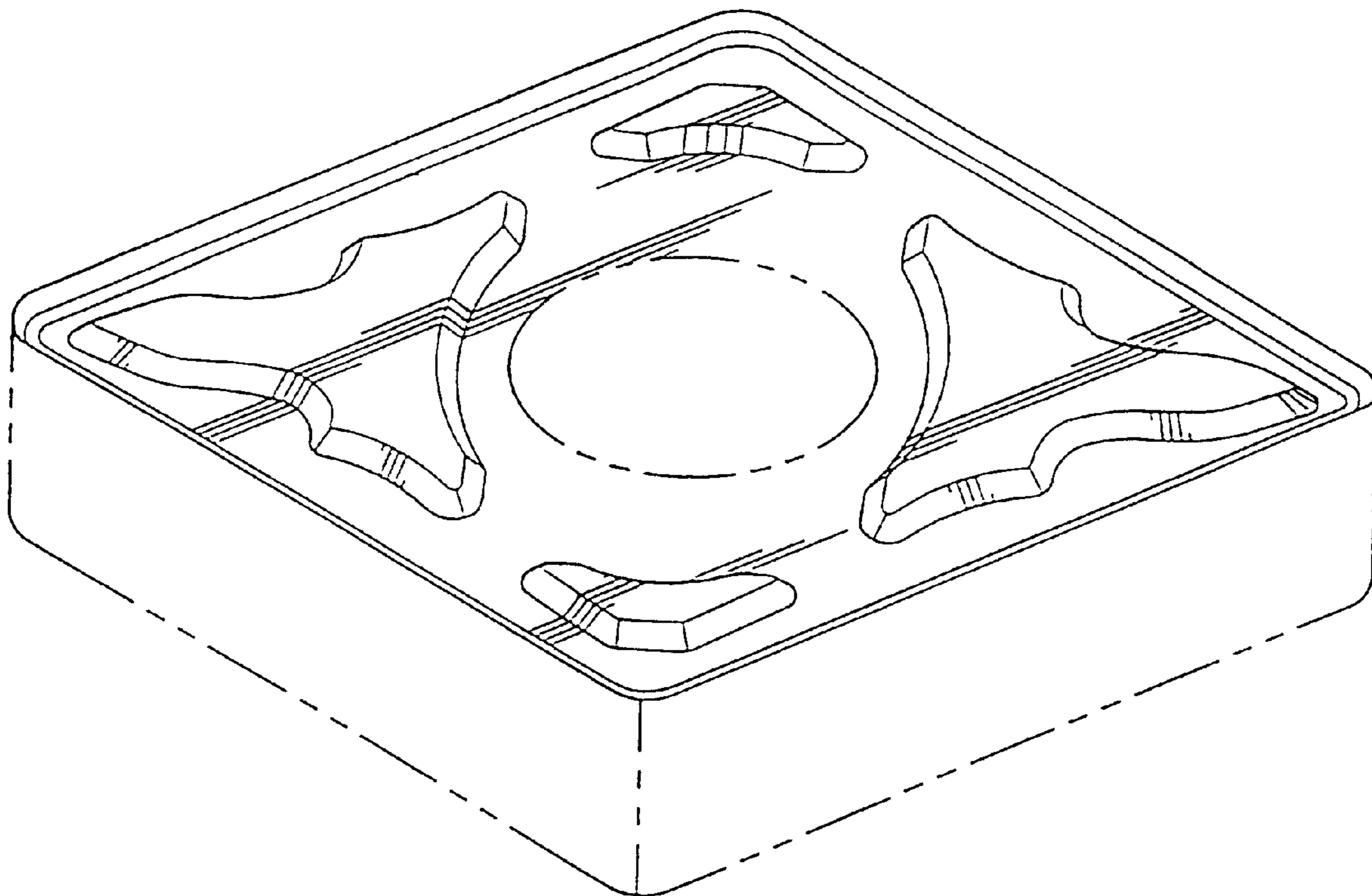
FIG. 1 is a perspective view of an polygonal indexable cutting insert showing a first form of our new design; FIG. 2 is a top plan view of the polygonal indexable cutting insert of FIG. 1; FIG. 3 is a side view of the polygonal indexable cutting insert of FIG. 1; FIG. 4 is a sectional view of the polygonal indexable cutting insert of FIG. 2 taken along line 4-4; FIG. 5 is a sectional view of the polygonal indexable cutting insert of FIG. 2 taken along line 5-5; FIG. 6 is a view of an polygonal indexable cutting insert showing a second form of our new design; and, FIG. 7 is a view of an polygonal indexable cutting insert showing a third form of our new design. The broken line showing is for illustrative purposes only and forms no part of the claimed design.

### [56] References Cited

#### U.S. PATENT DOCUMENTS

3,882,580	5/1975	Lundgren .	
4,116,576	9/1978	Gawryk, Sr. .	
4,218,160	8/1980	Arnold .	
4,629,371	12/1986	Maeda et al. ....	407/114
4,993,893	2/1991	Niebauer .	
5,032,049	7/1991	Hessman et al. .	
5,116,167	5/1992	Niebauer .	
5,122,107	6/1992	Niebauer .	
5,141,367	8/1992	Beeghly et al. .	
5,147,159	9/1992	Lowe et al. ....	407/114
5,199,827	4/1993	Pantzar .	
5,222,843	6/1993	Katbi et al. ....	407/114
5,330,296	7/1994	Beeghly et al. .	

1 Claim, 3 Drawing Sheets



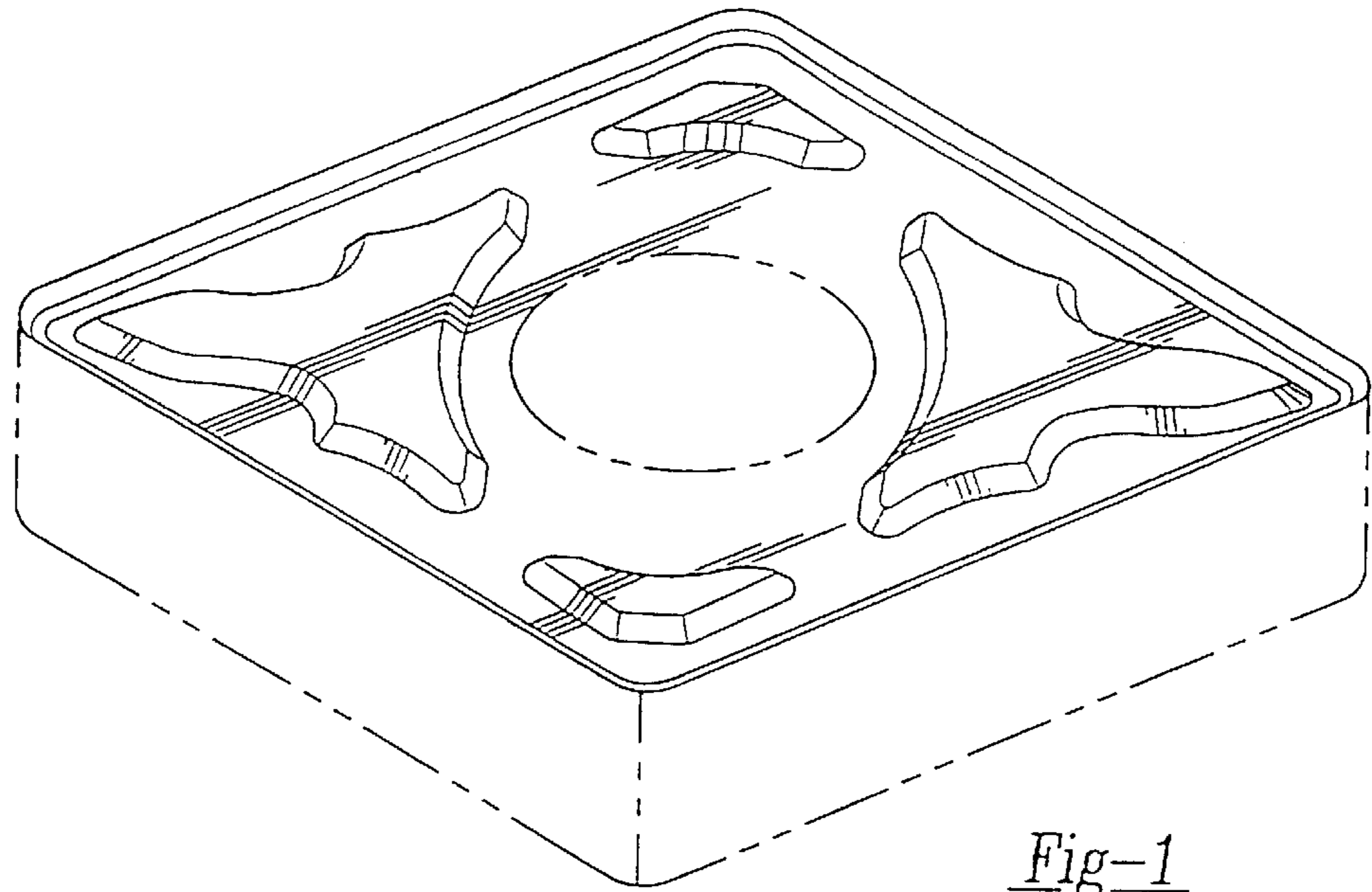


Fig-1

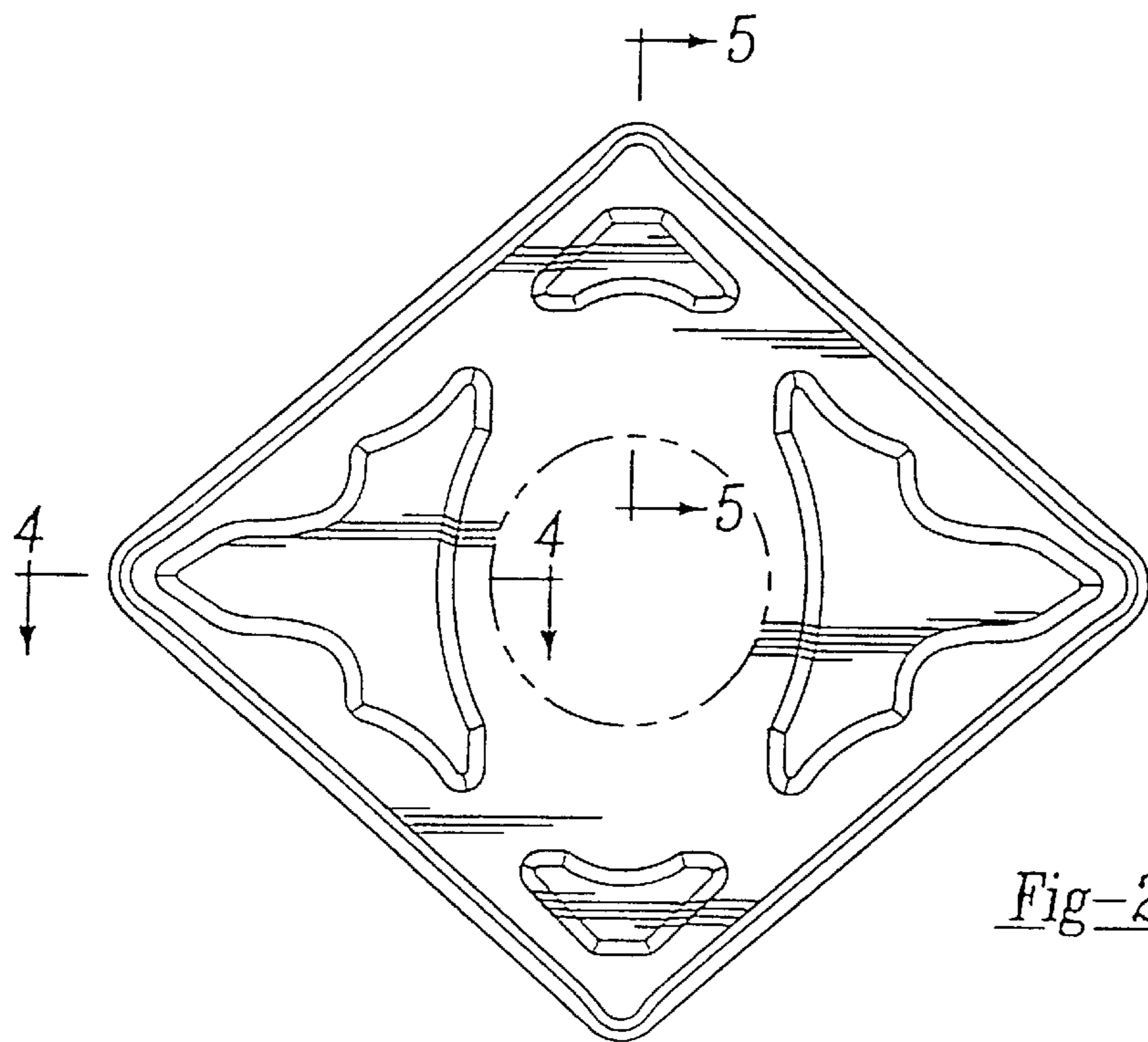


Fig-2

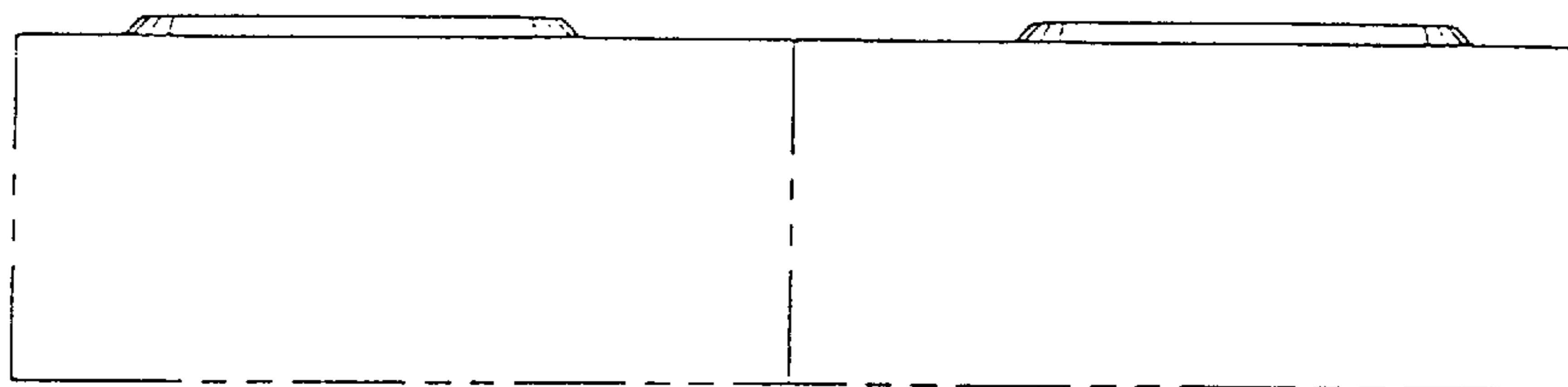


Fig-3

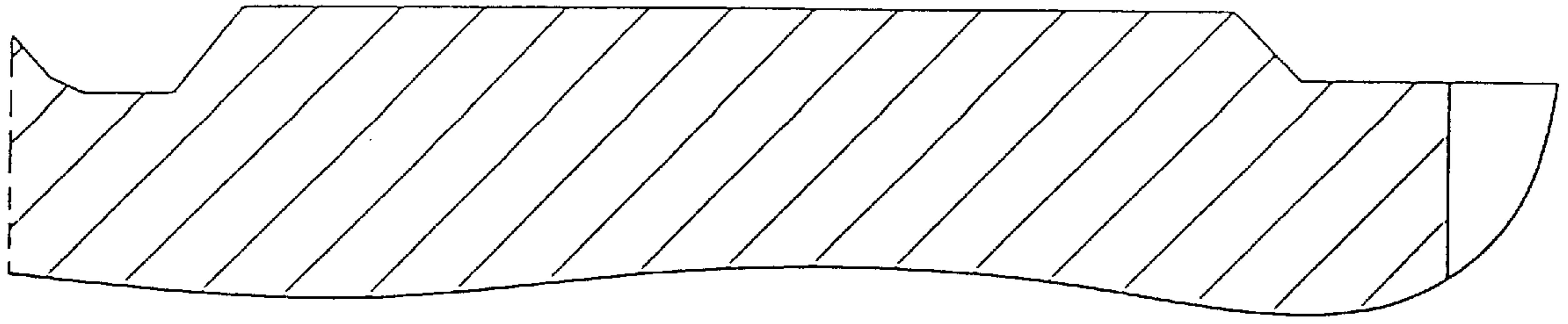


Fig-4

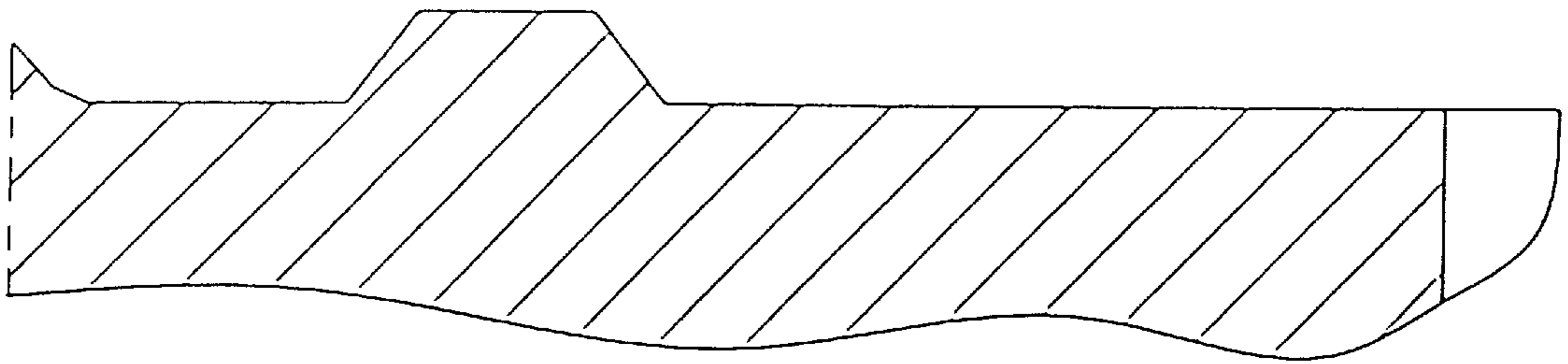


Fig-5

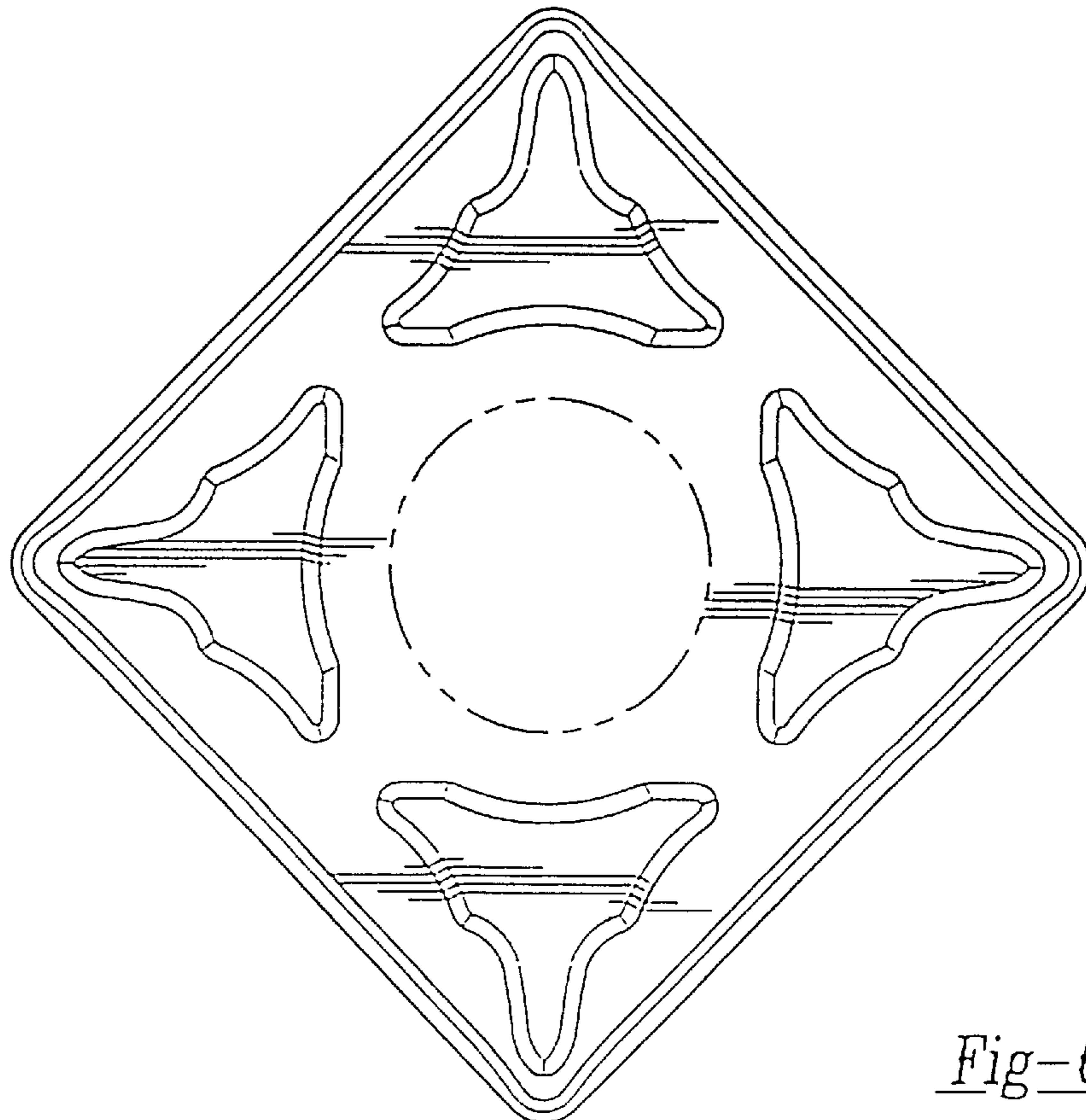


Fig-6

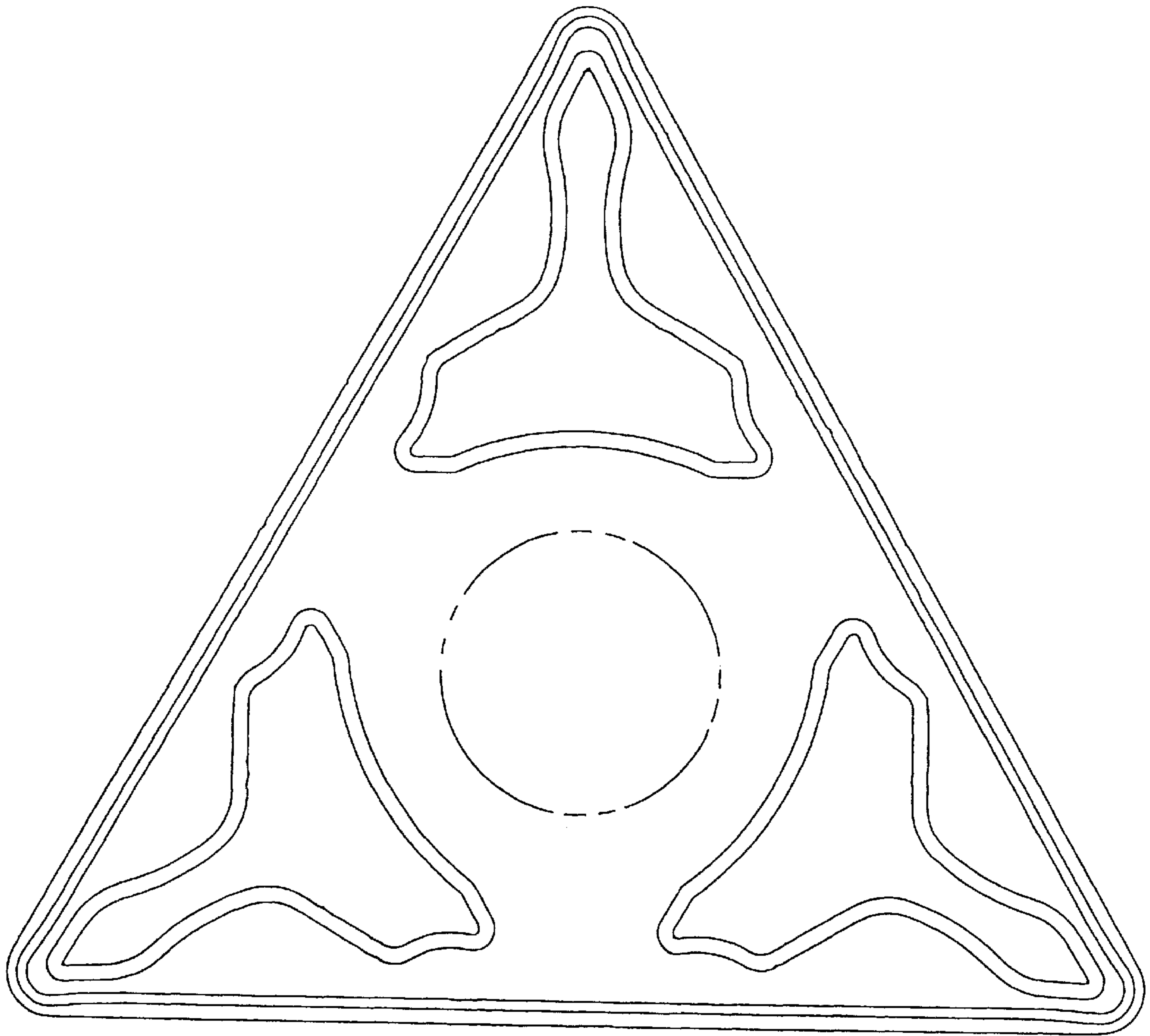


Fig-1