



US00D411549S

# United States Patent [19]

[11] Patent Number: Des. 411,549

Garcia et al.

[45] Date of Patent: \*\* Jun. 29, 1999

[54] SANDING MACHINE

[57] CLAIM

[75] Inventors: Jaime E. Garcia, Wexford; Ronald E. Young, Cheswick, both of Pa.

The ornamental design for a sanding machine, as shown and described.

[73] Assignee: Delta International Machinery Corp., Pittsburgh, Pa.

### DESCRIPTION

[\*\*] Term: 14 Years

FIG. 1 is a front perspective view of the sanding machine of the present invention;

[21] Appl. No.: 29/090,456

FIG. 2 is a rear perspective view of the invention of FIG. 1;

[22] Filed: Jul. 9, 1998

FIG. 3 is a front elevational view of the invention of FIG. 1;

[51] LOC (6) Cl. .... 15-09

FIG. 4 is a rear elevational view of the invention of FIG. 1;

[52] U.S. Cl. .... D15/125

FIG. 5 is a top view of the invention of FIG. 1;

[58] Field of Search ..... D15/124, 125; 451/906, 918, 411-414, 340

FIG. 6 is a bottom view of the invention of FIG. 1;

FIG. 7 is a left side elevational view of the invention of FIG. 1;

### [56] References Cited

FIG. 8 is a right side elevational view of the invention of FIG. 1;

#### U.S. PATENT DOCUMENTS

FIG. 9 is a front perspective view of the invention of FIG. 1, further comprising a plurality of rectangular voids provided in a base portion and in a central portion of the invention;

D. 143,704	2/1946	Bogert et al. ....	D15/124
D. 345,366	3/1994	Hewitt .	
D. 349,292	8/1994	Chunn .	
D. 353,149	12/1994	Hewitt .	
D. 377,180	1/1997	Young et al. .	
3,137,977	6/1964	Graves .	
4,821,457	4/1989	Ianuzzi .	
5,402,604	4/1995	Hashii et al. .	
5,476,409	12/1995	Wada et al. .	
5,582,534	12/1996	Shendon et al. .	

FIG. 10 is a rear perspective view of the invention of FIG. 9;

FIG. 11 is a front elevational view of the invention of FIG. 9;

FIG. 12 is a rear elevational view of the invention of FIG. 9;

#### OTHER PUBLICATIONS

Instruction Manual for Delta Model 31-780 Bench Oscillating Spindle Sander, dated Sep. 28, 1995.

“Oscillating Spindle Sanders”, *American Woodworker 1996 Tool Buyer’s Guide*, pp. 90-92.

“Random-Orbit Sanders”, *Fine Woodworking* (Jan./Feb. 1992), pp. 47-51.

“Buyers Guide to Random-Orbit Sanders”, *American Woodworker*, Aug. 1994, pp. 31-37.

FIG. 13 is a top view of the invention of FIG. 9;

FIG. 14 is a bottom view of the invention of FIG. 9;

FIG. 15 is a left side elevational view of the invention of FIG. 9;

FIG. 16 is a right side elevational view of the invention of FIG. 9;

FIG. 17 is a front perspective view of the invention of FIG. 9, further comprising on an upper portion of the invention visible portions of a circular platen and a ring-shaped region surrounding the platen;

FIG. 18 is a rear perspective view of the invention of FIG. 17;

FIG. 19 is a front elevational view of the invention of FIG. 17;

FIG. 20 is a rear elevational view of the invention of FIG. 17;

Primary Examiner—Antoine Duval Davis  
Attorney, Agent, or Firm—Kirkpatrick & Lockhart LLP

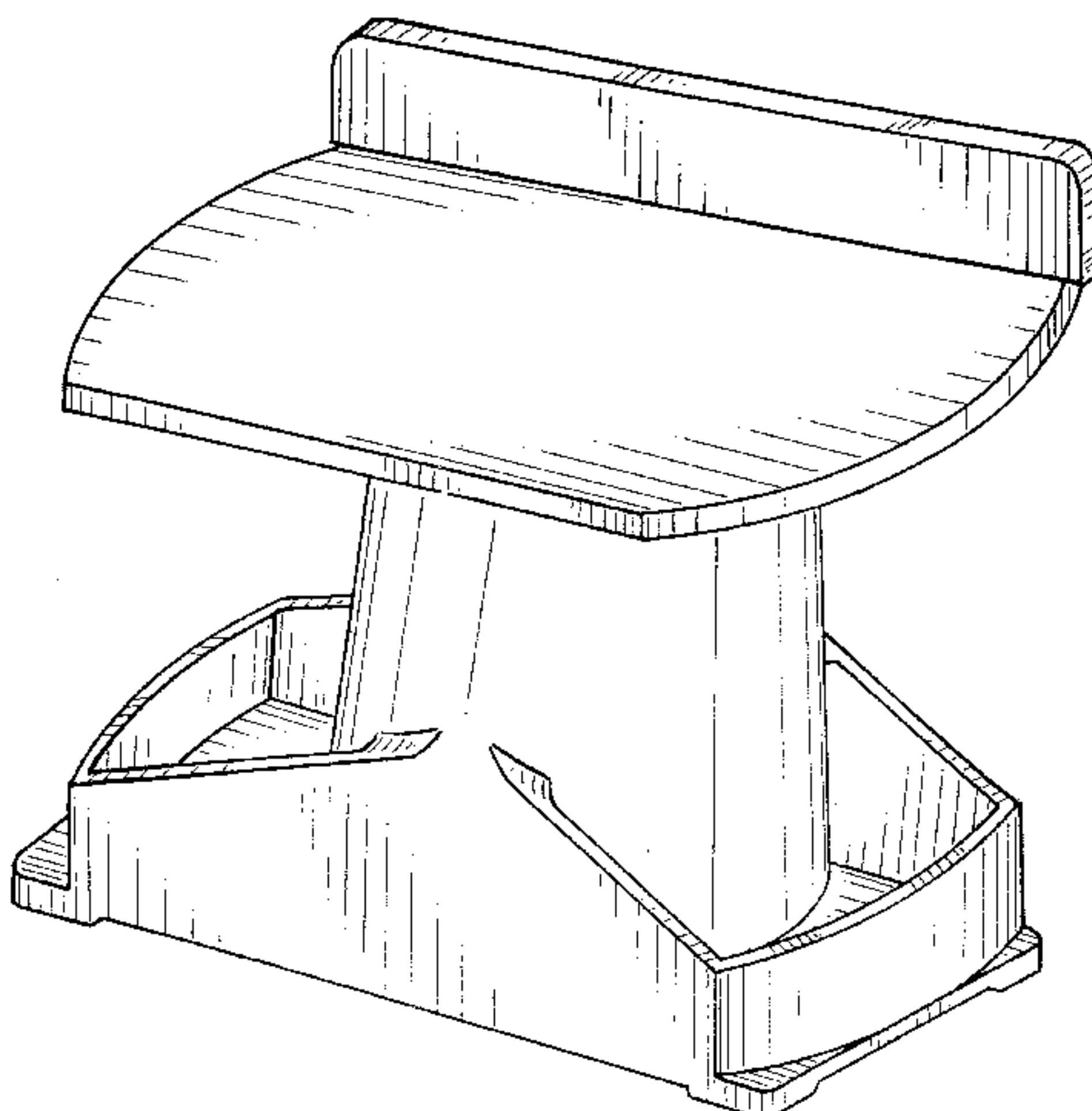


FIG. 21 is a top view of the invention of FIG. 17;  
FIG. 22 is a bottom view of the invention of FIG. 17;  
FIG. 23 is a left side elevational view of the invention of  
FIG. 17; and,

FIG. 24 is a right side elevational view of the invention of  
FIG. 17.

**1 Claim, 15 Drawing Sheets**

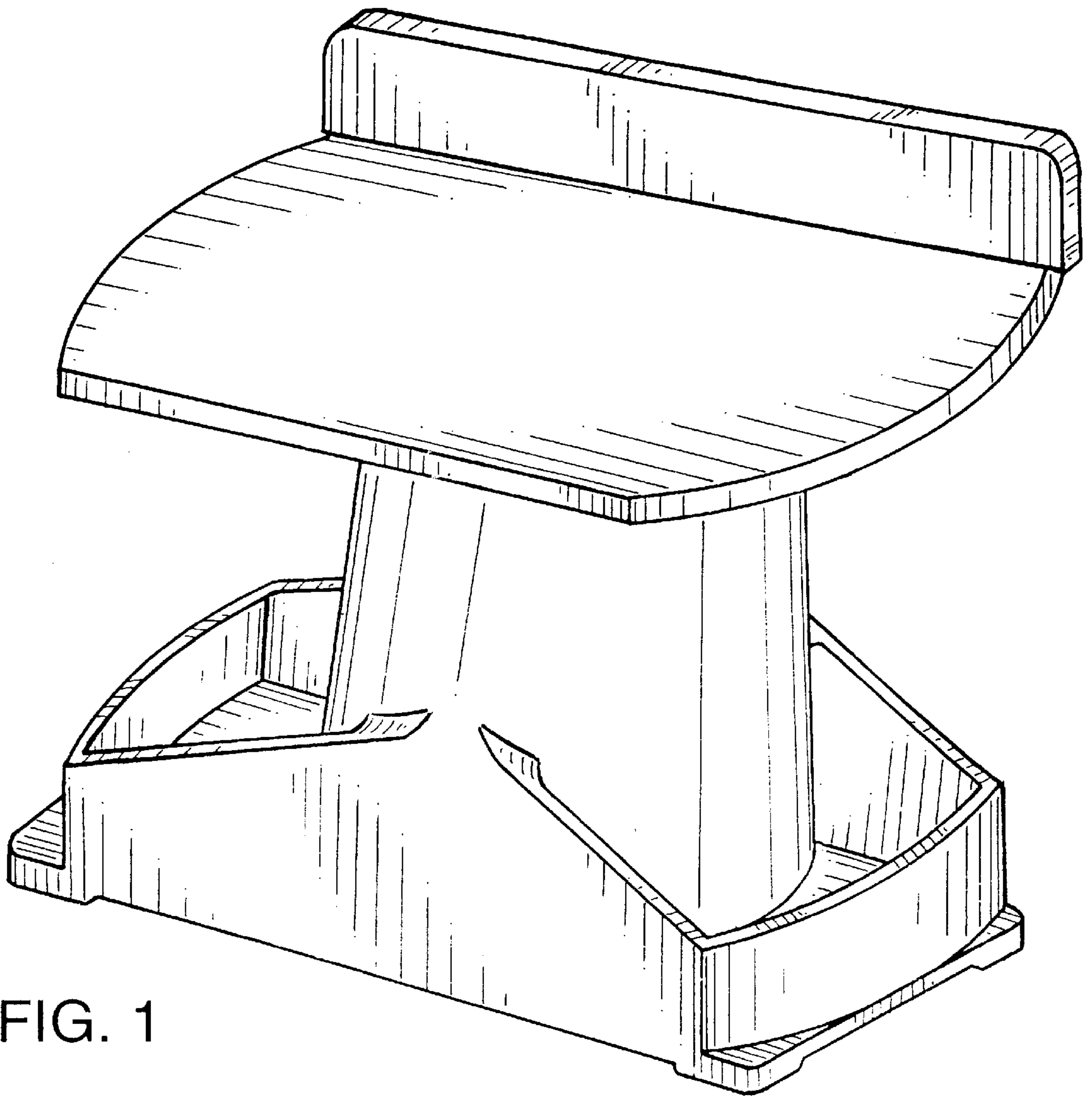


FIG. 1

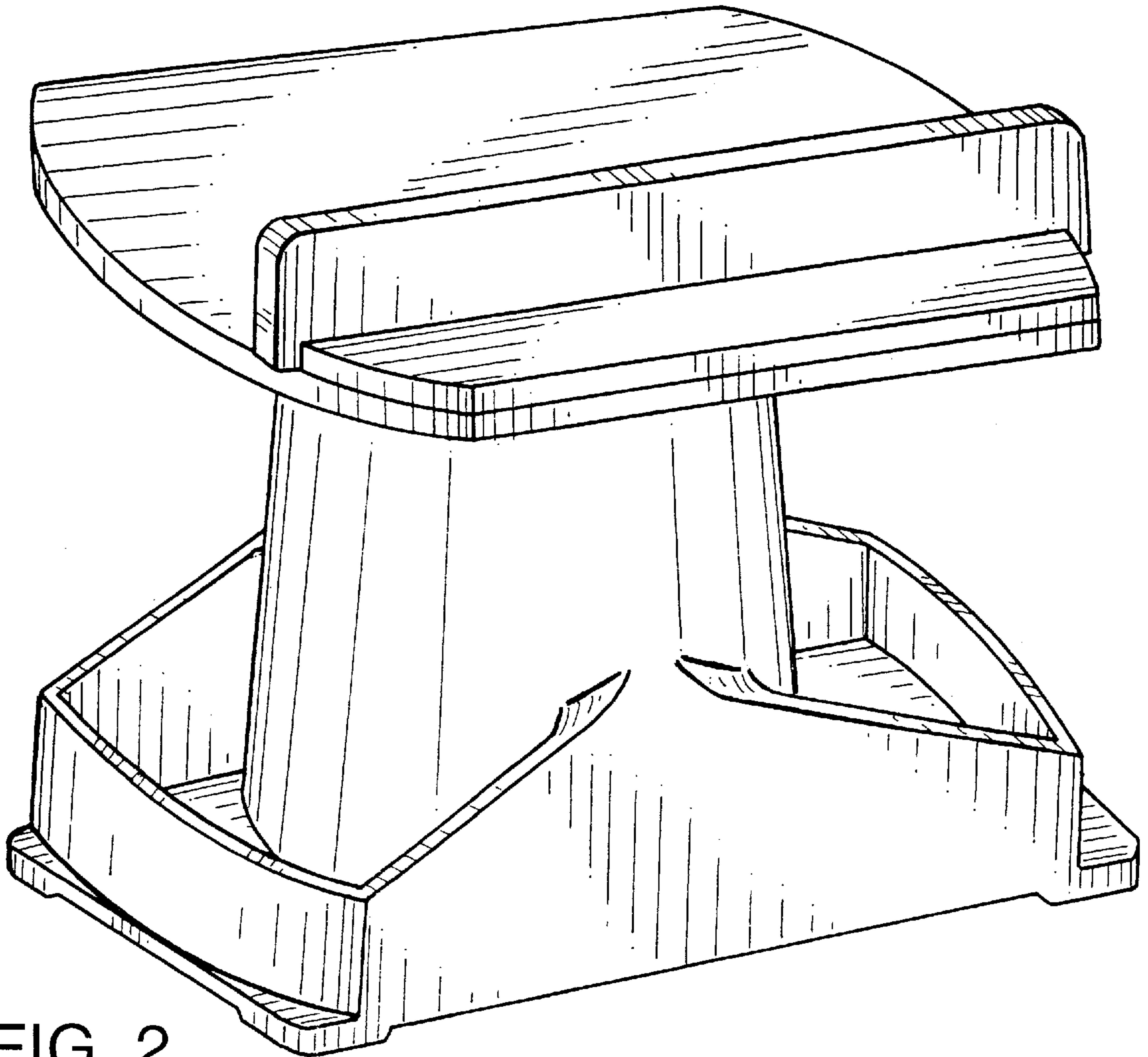


FIG. 2

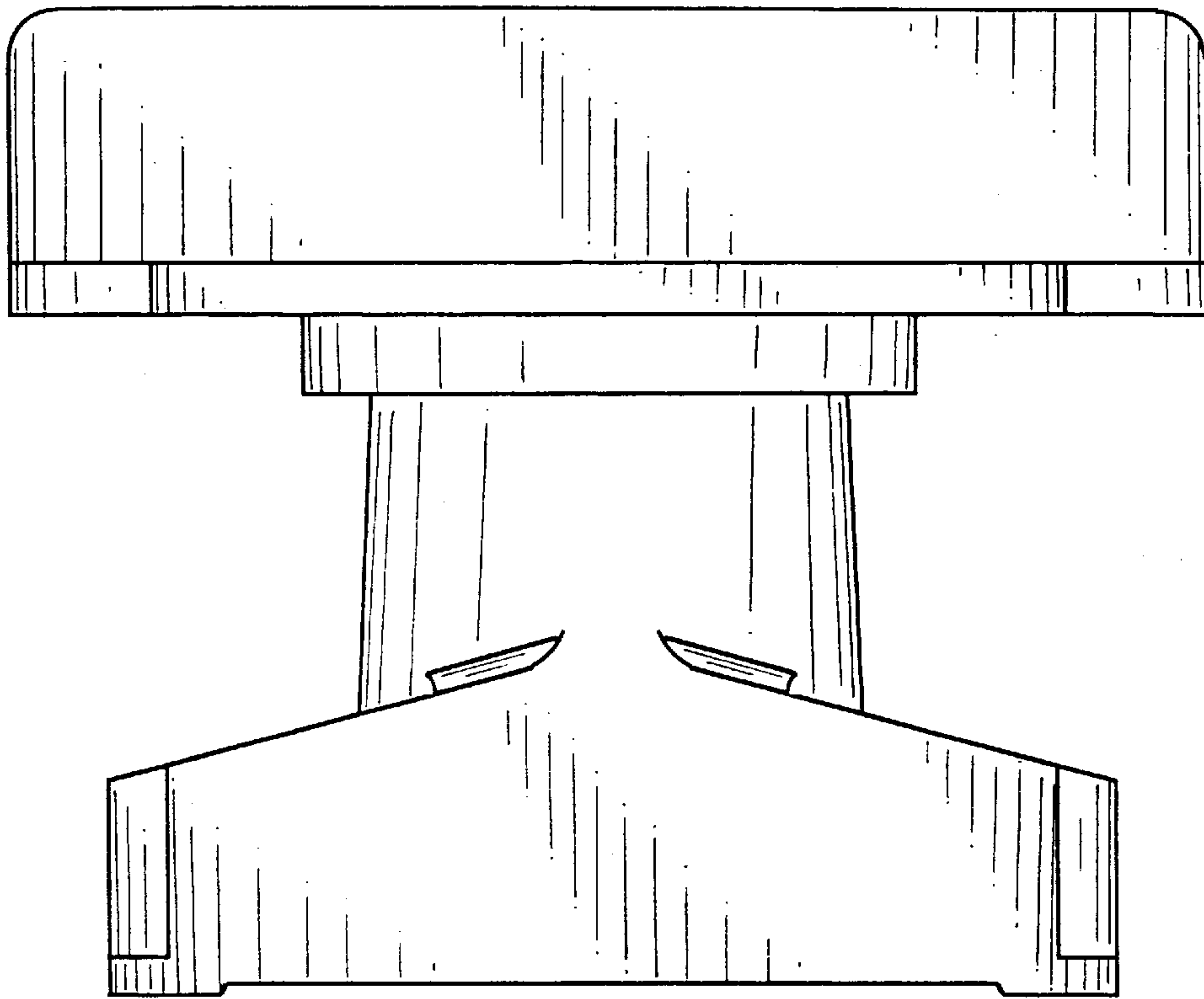


FIG. 3

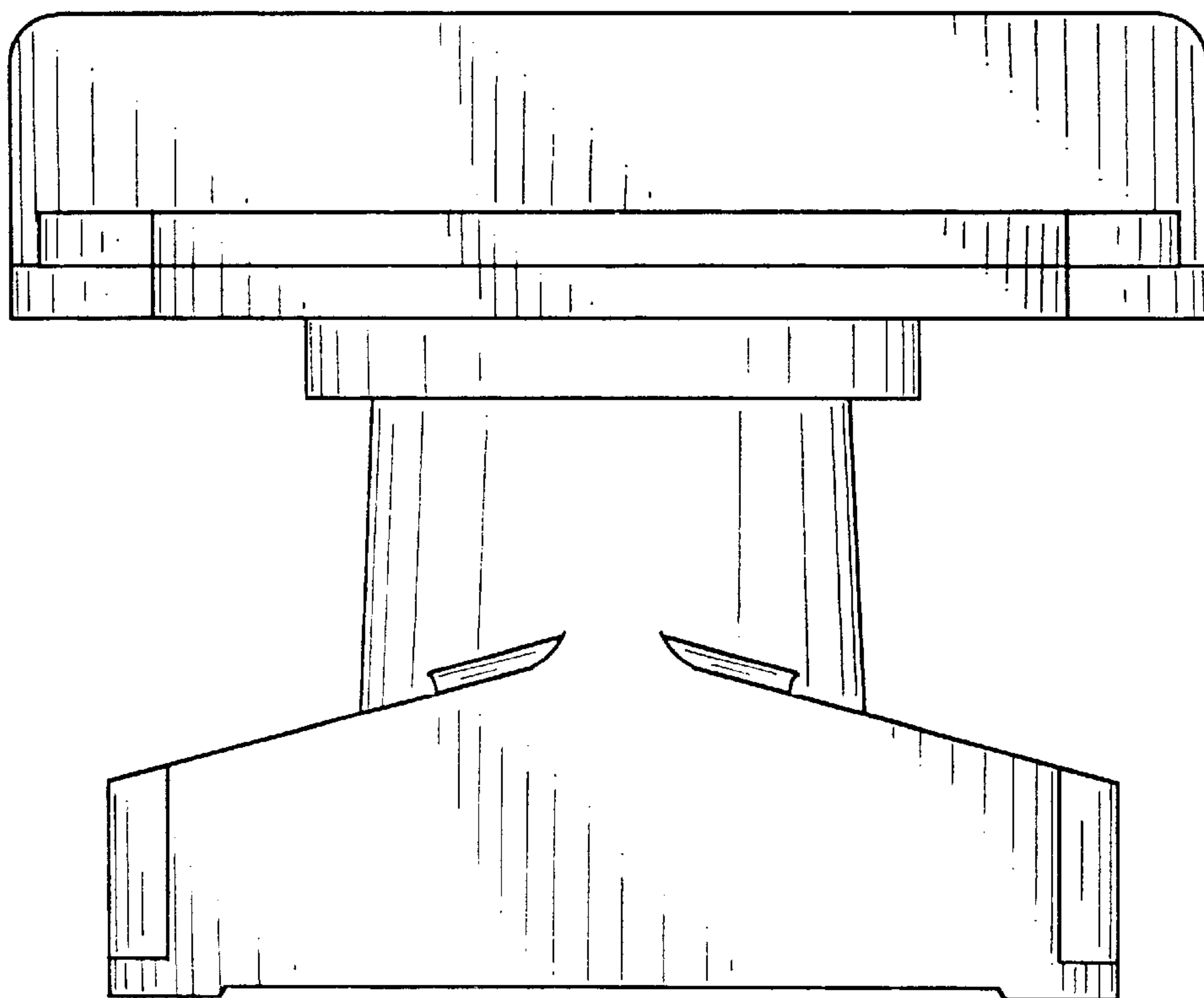


FIG. 4

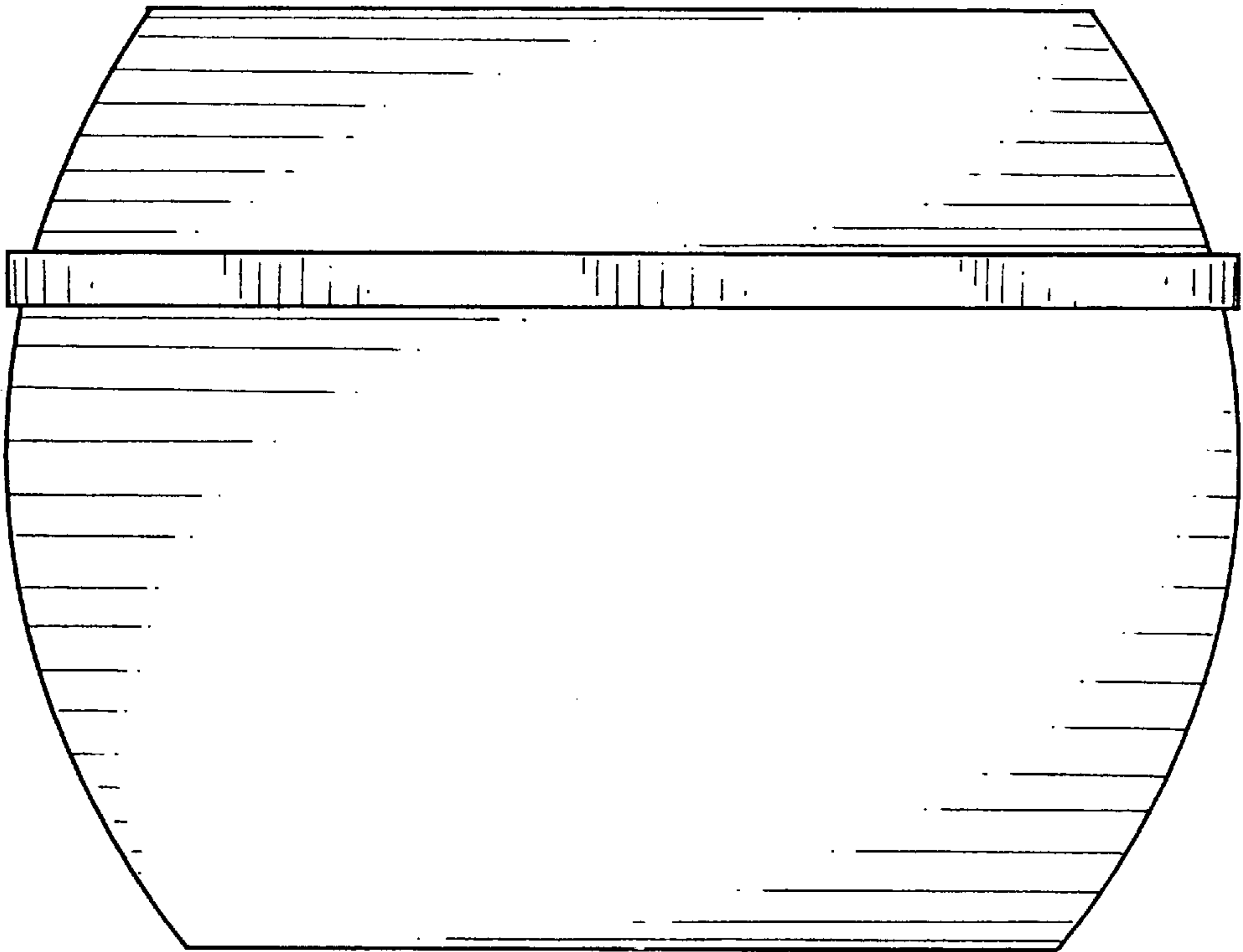


FIG. 5

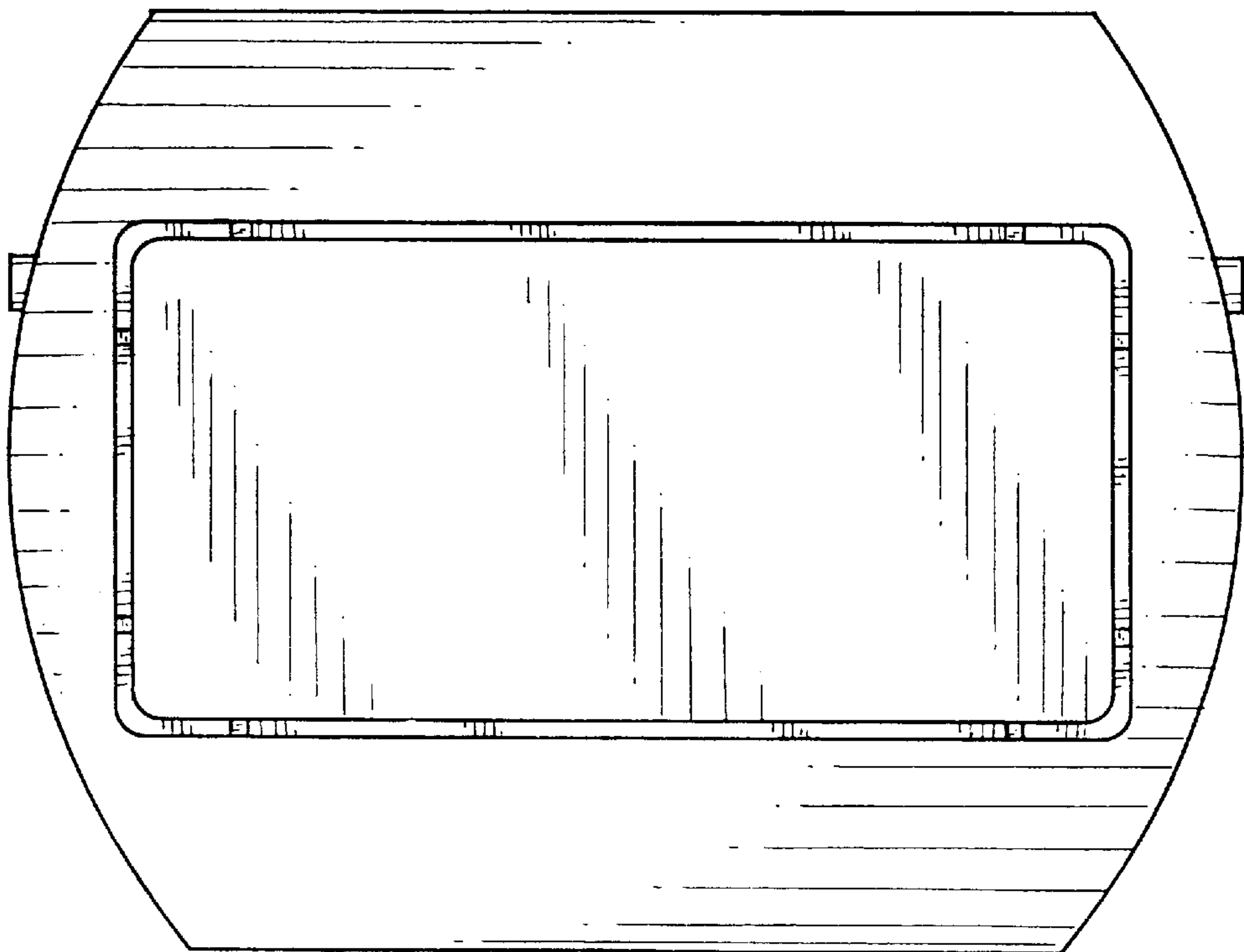


FIG. 6



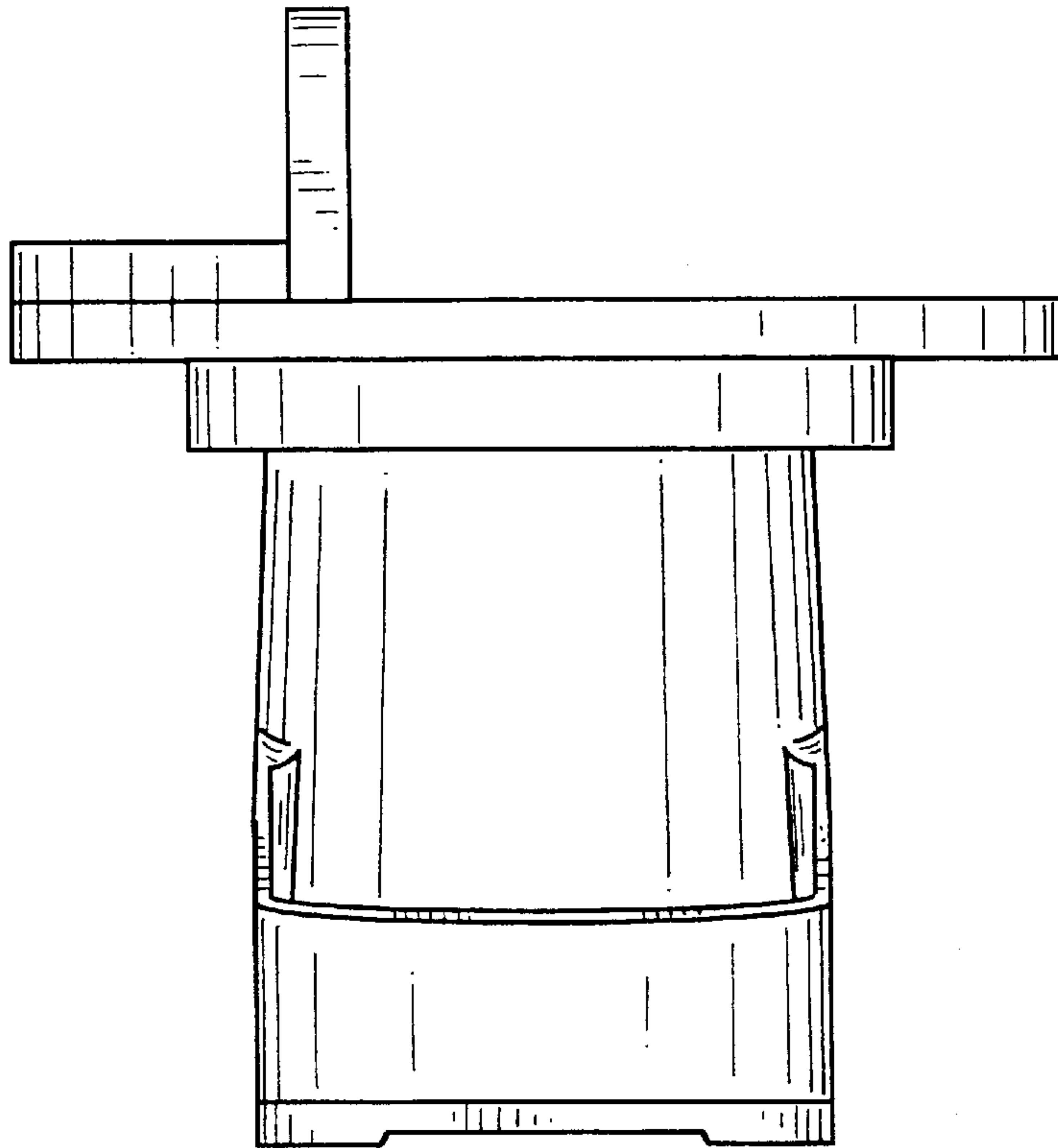


FIG. 7

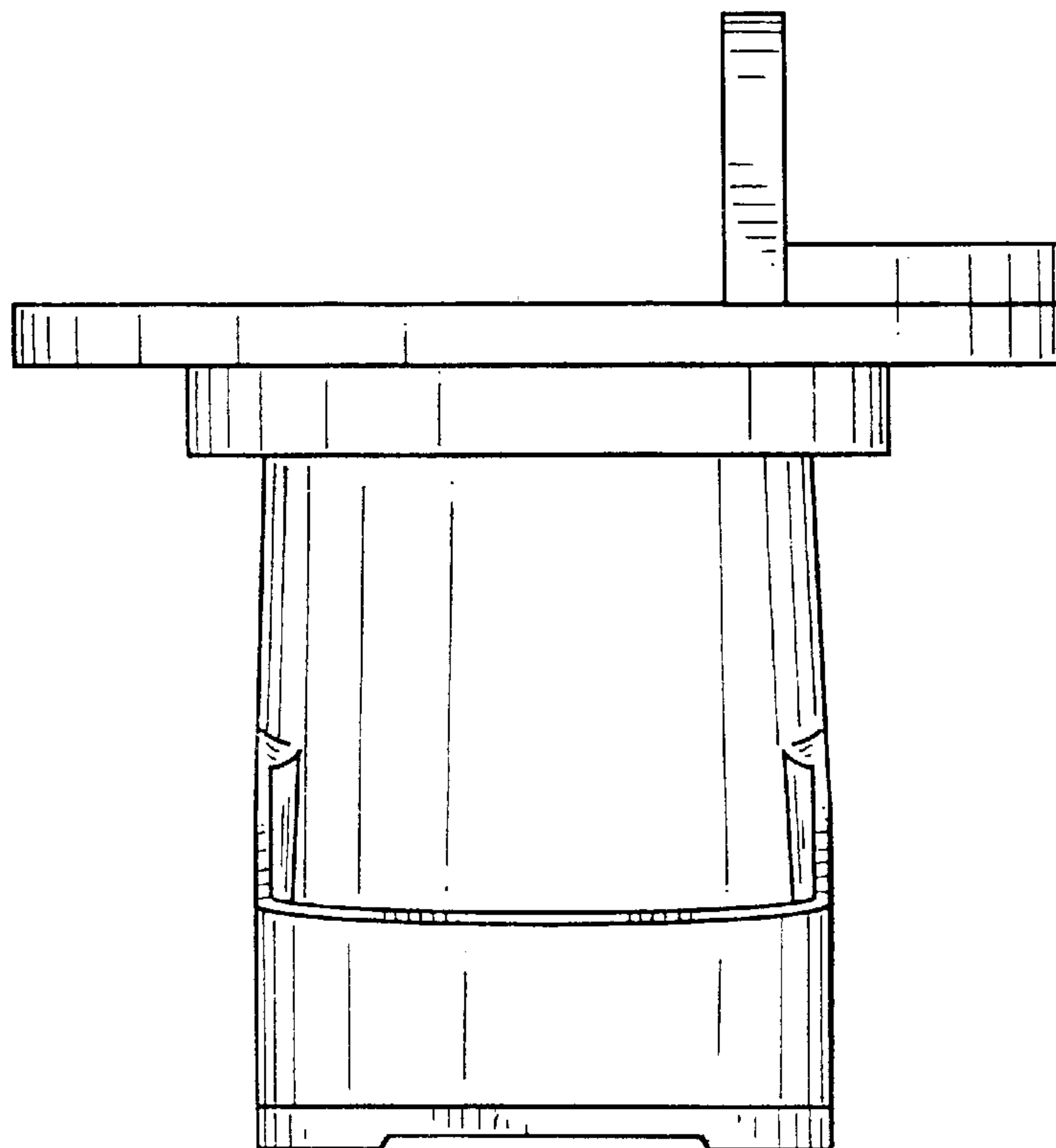


FIG. 8

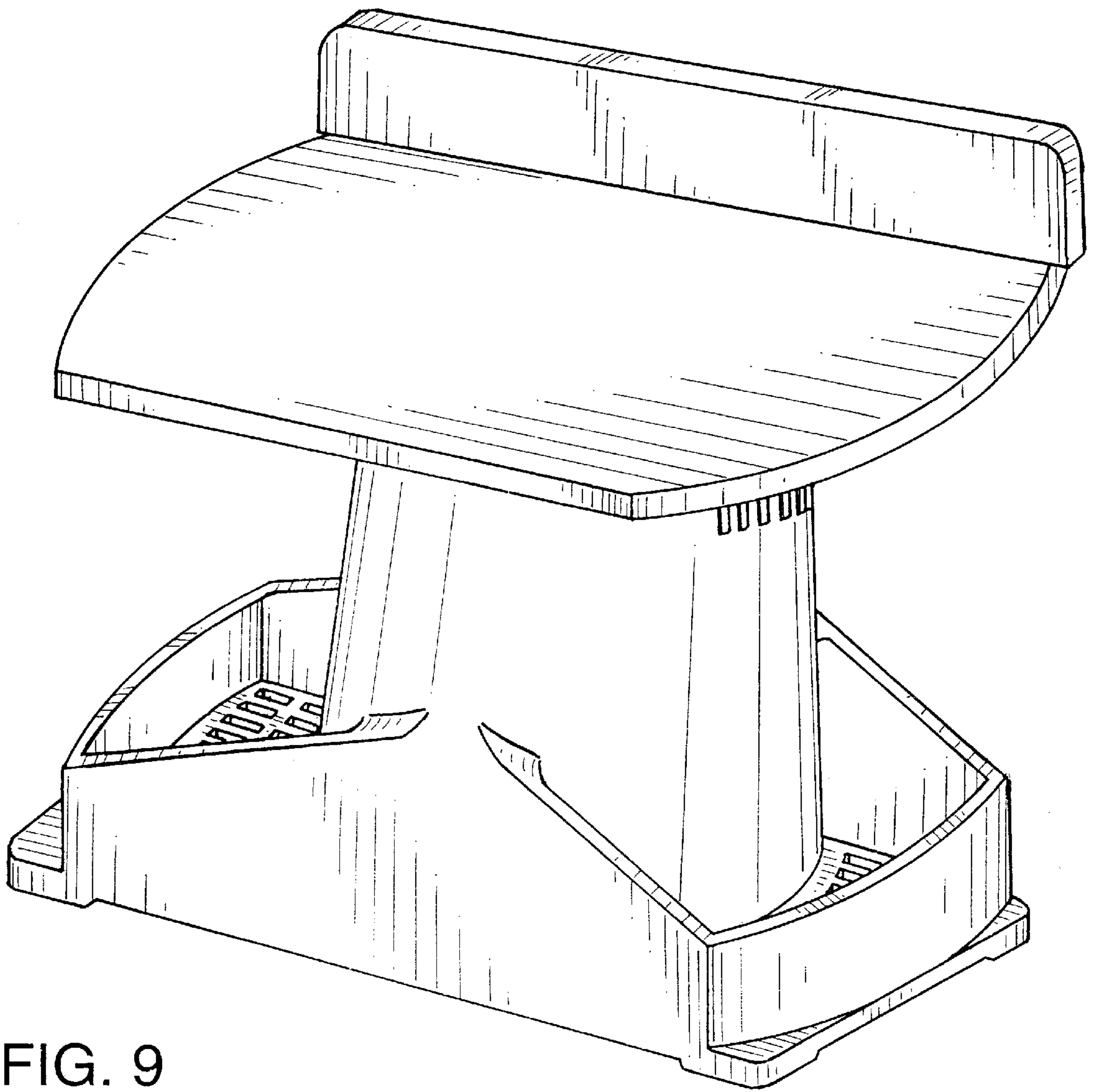


FIG. 9



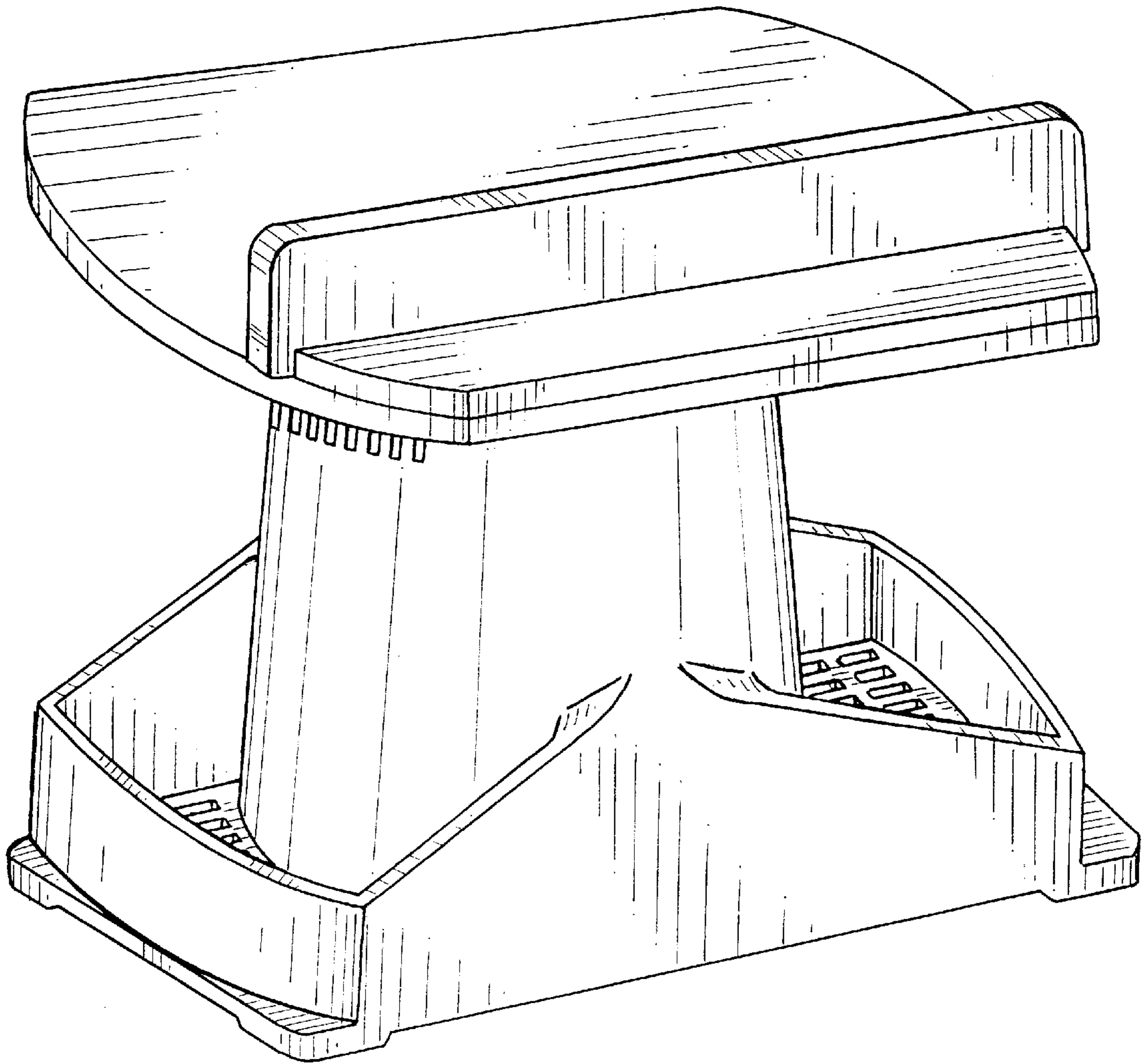


FIG. 10

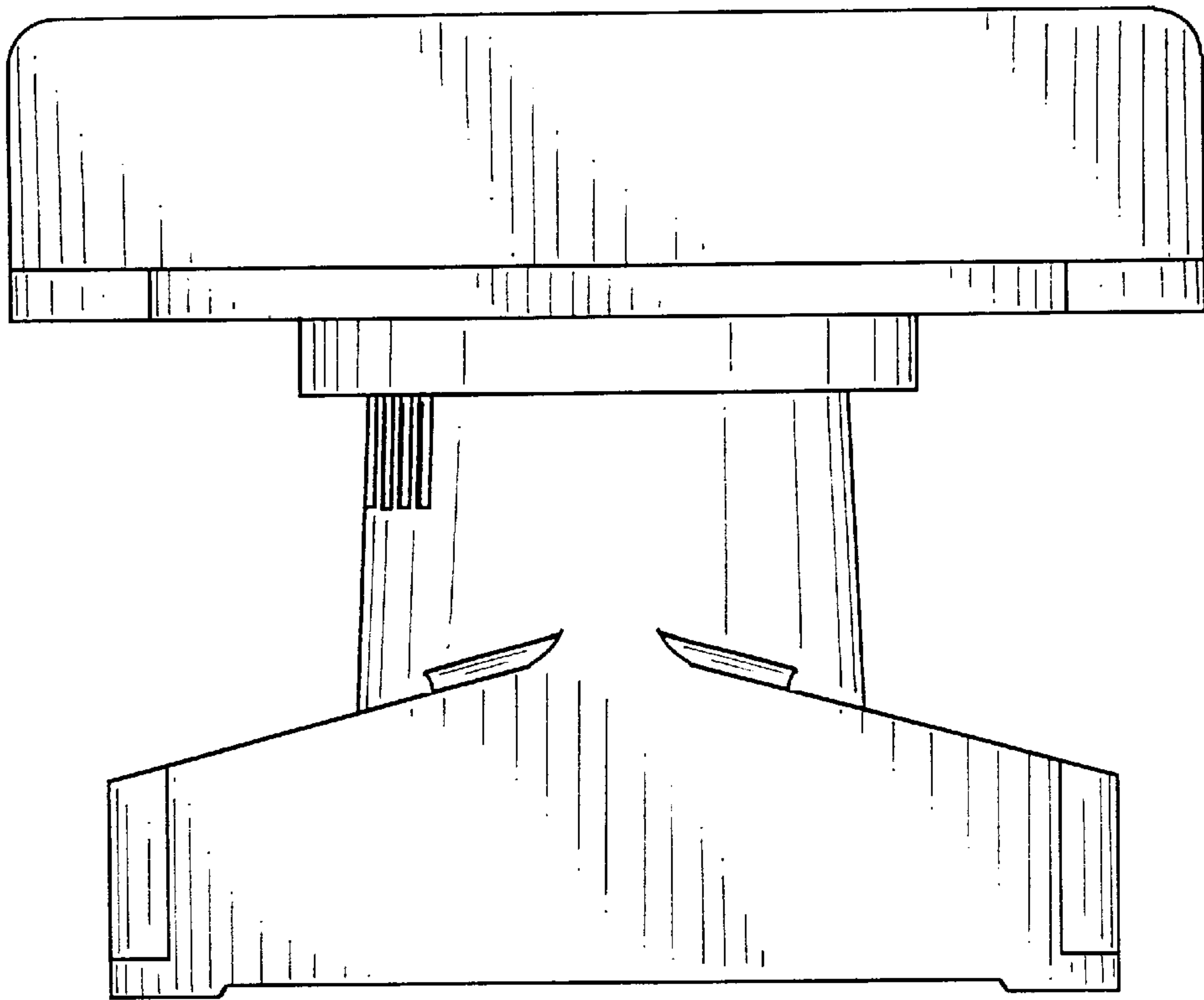


FIG. 11

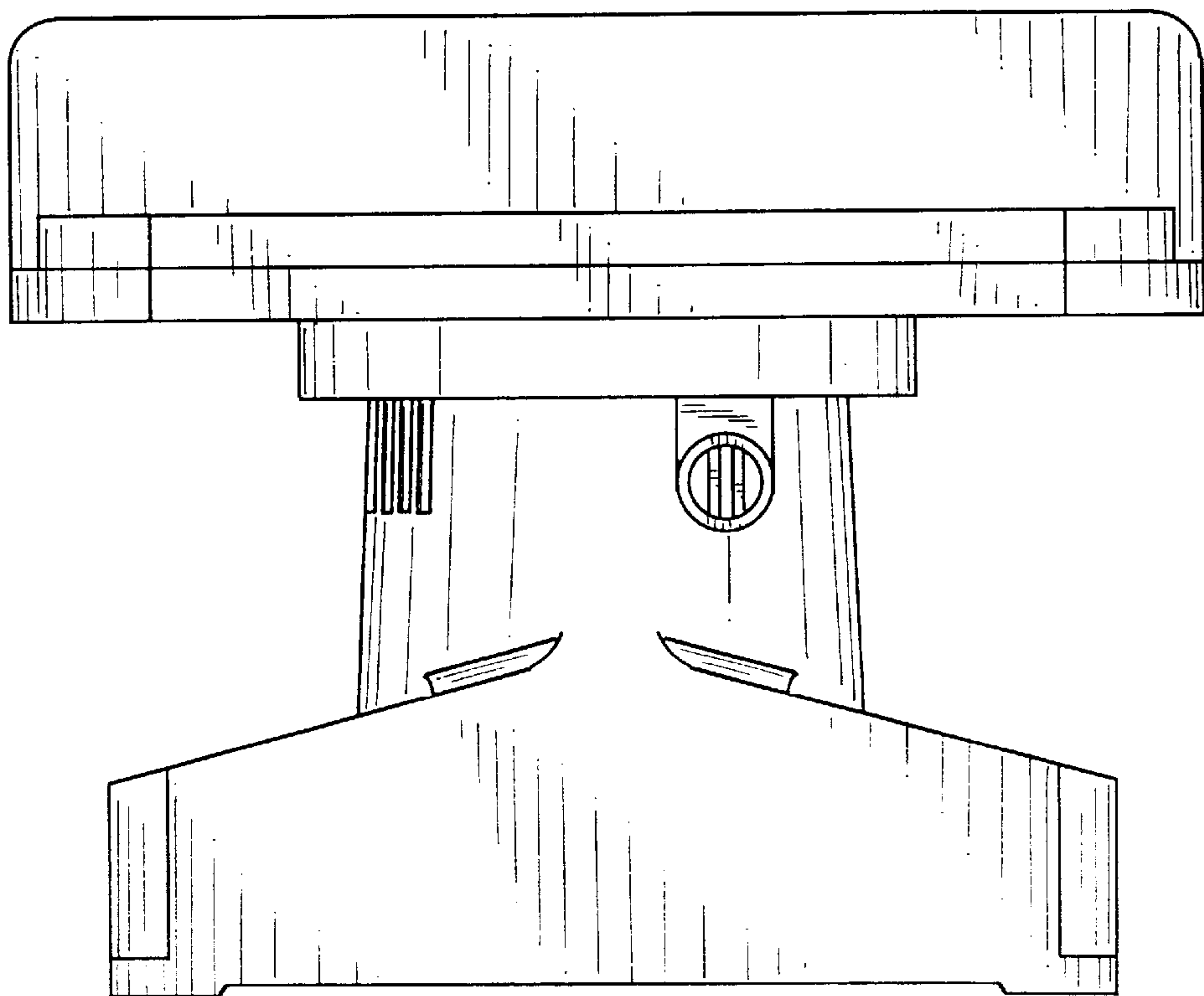


FIG. 12

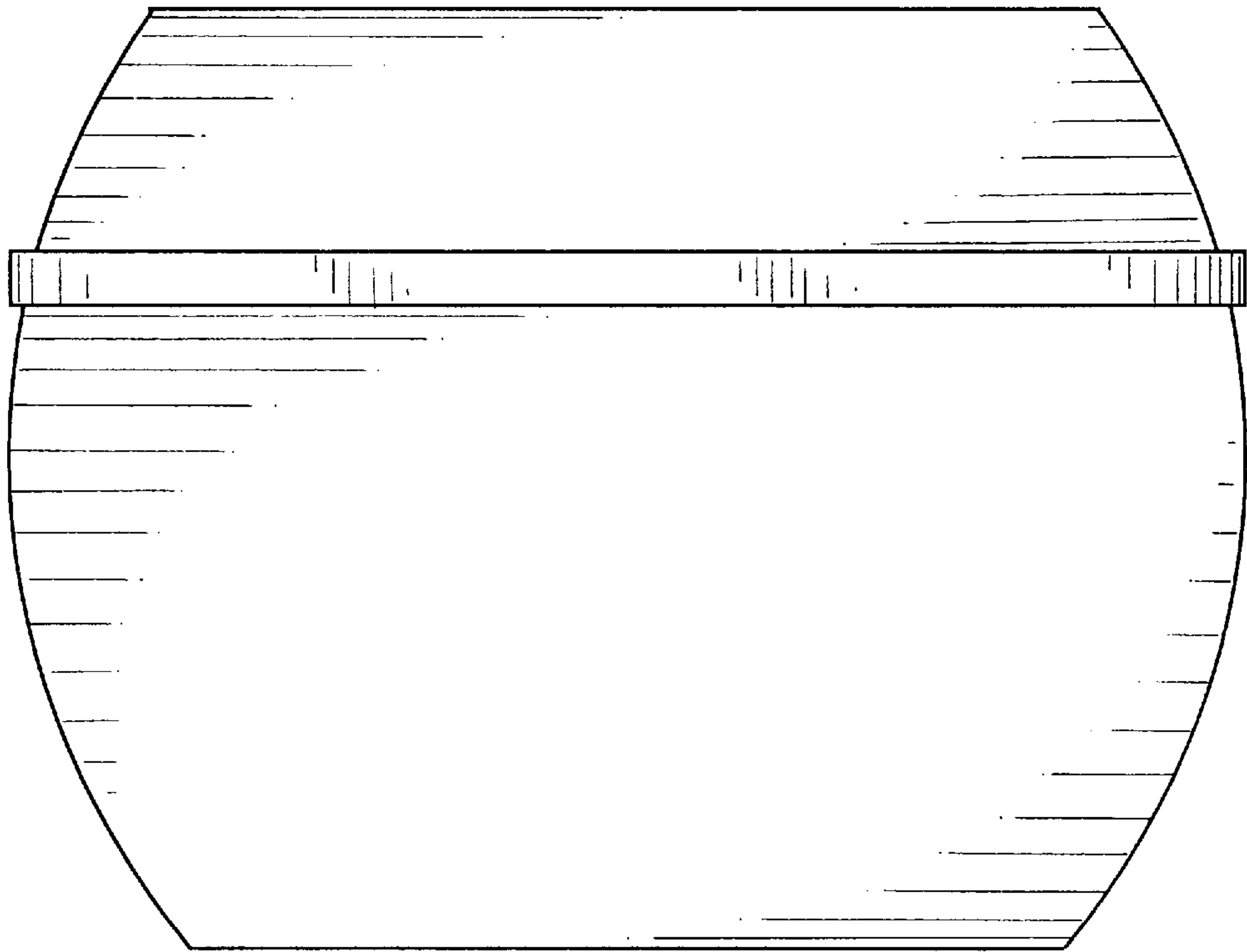


FIG. 13

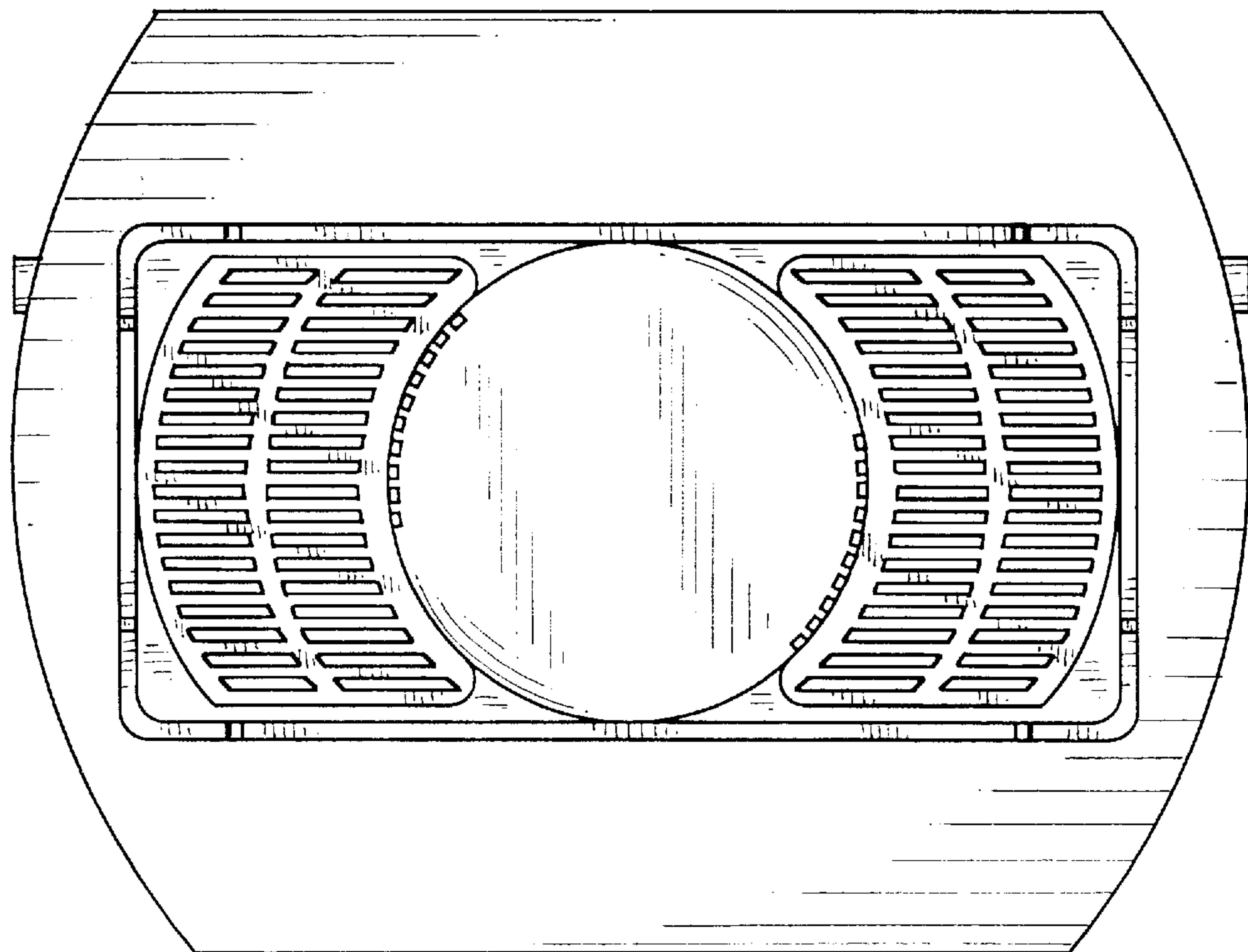


FIG. 14

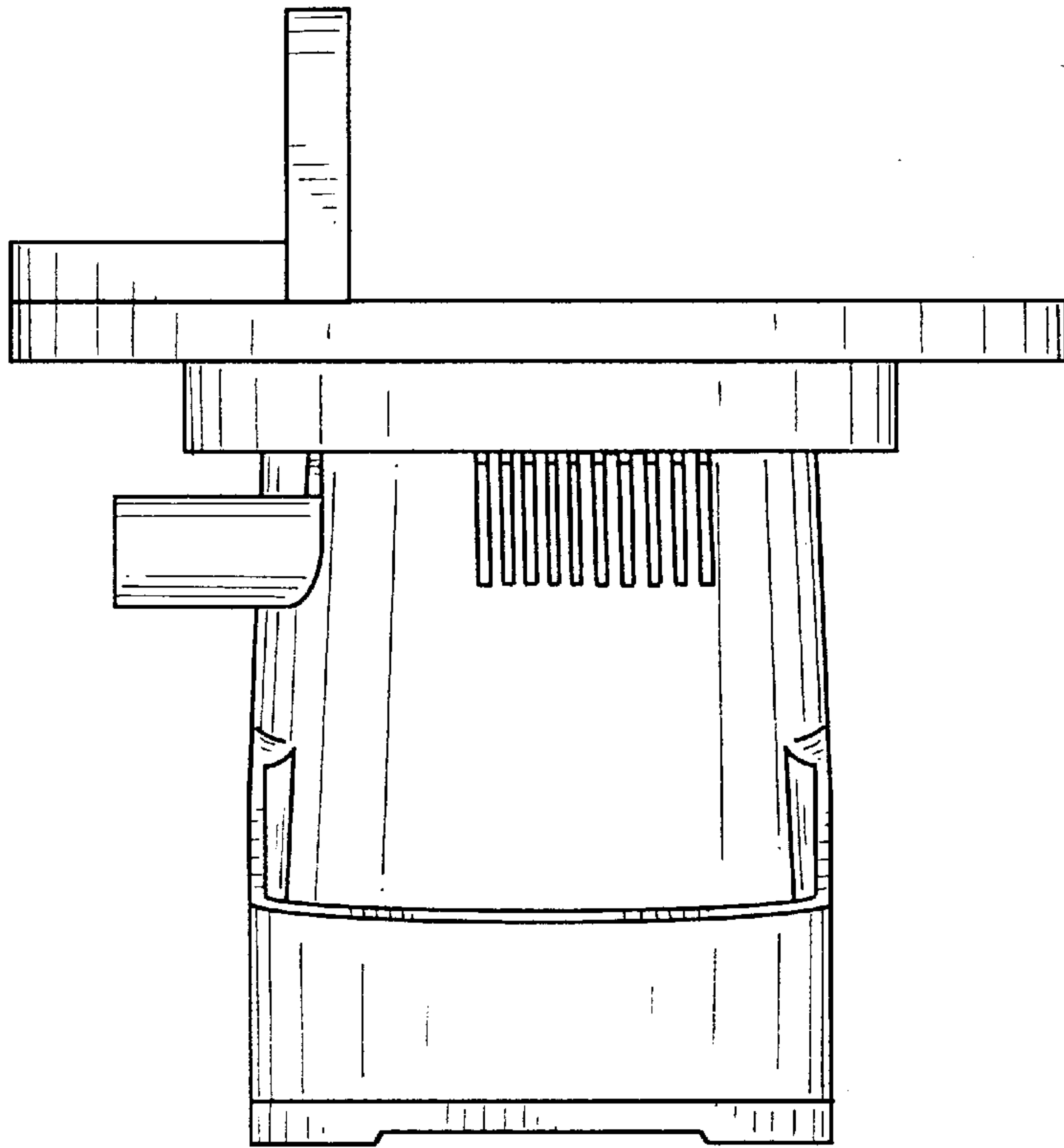


FIG. 15

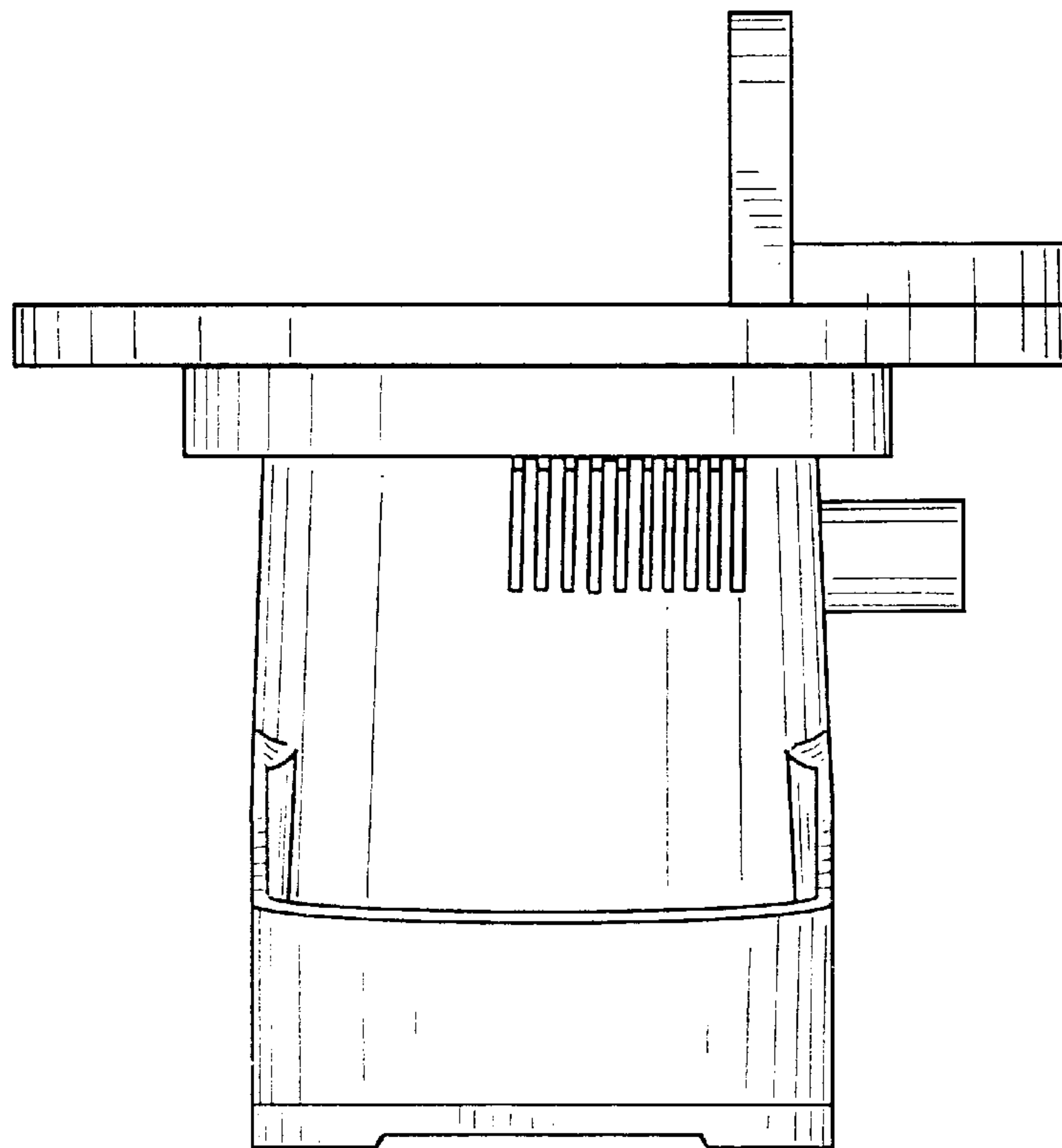


FIG. 16

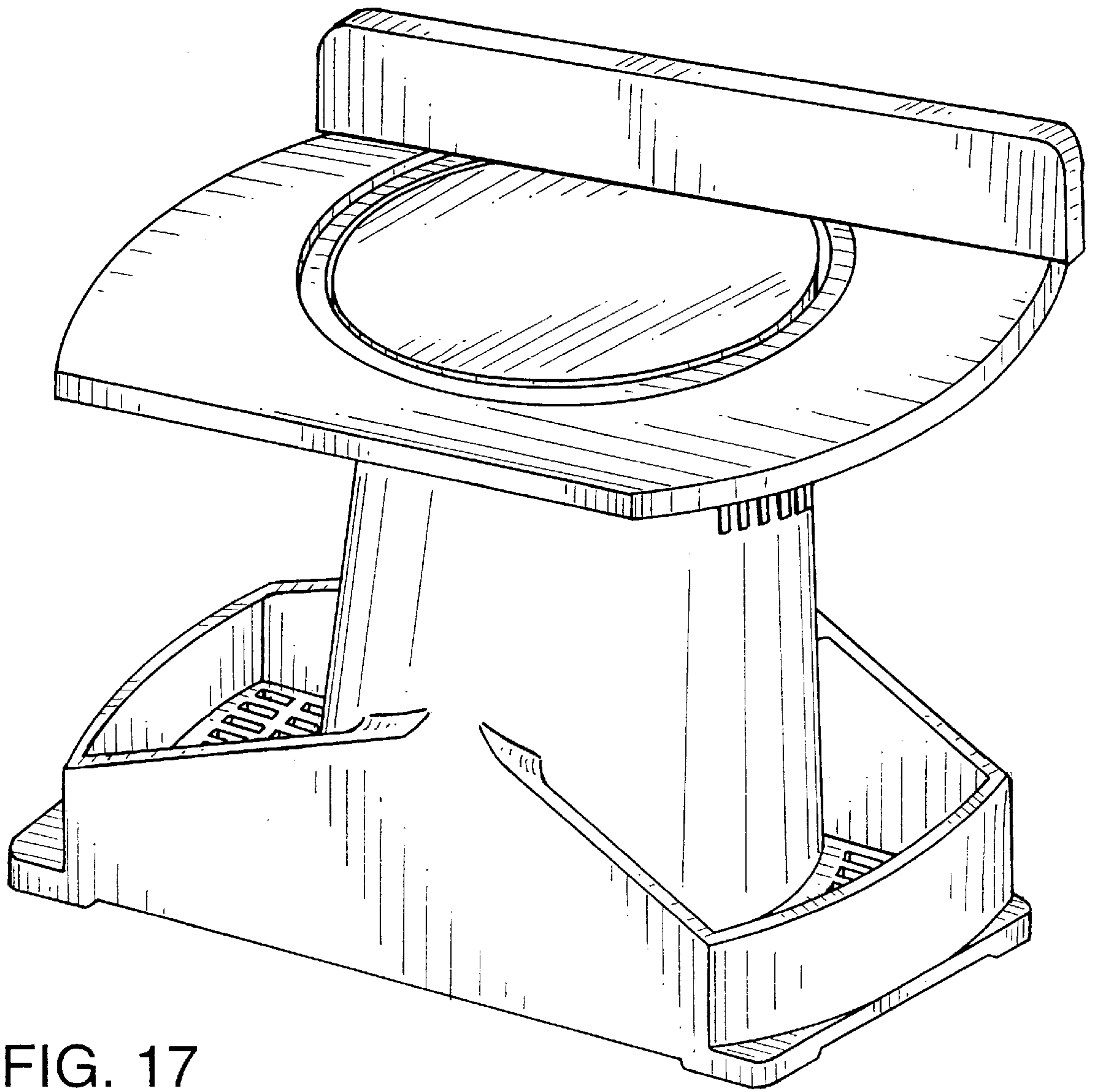


FIG. 17

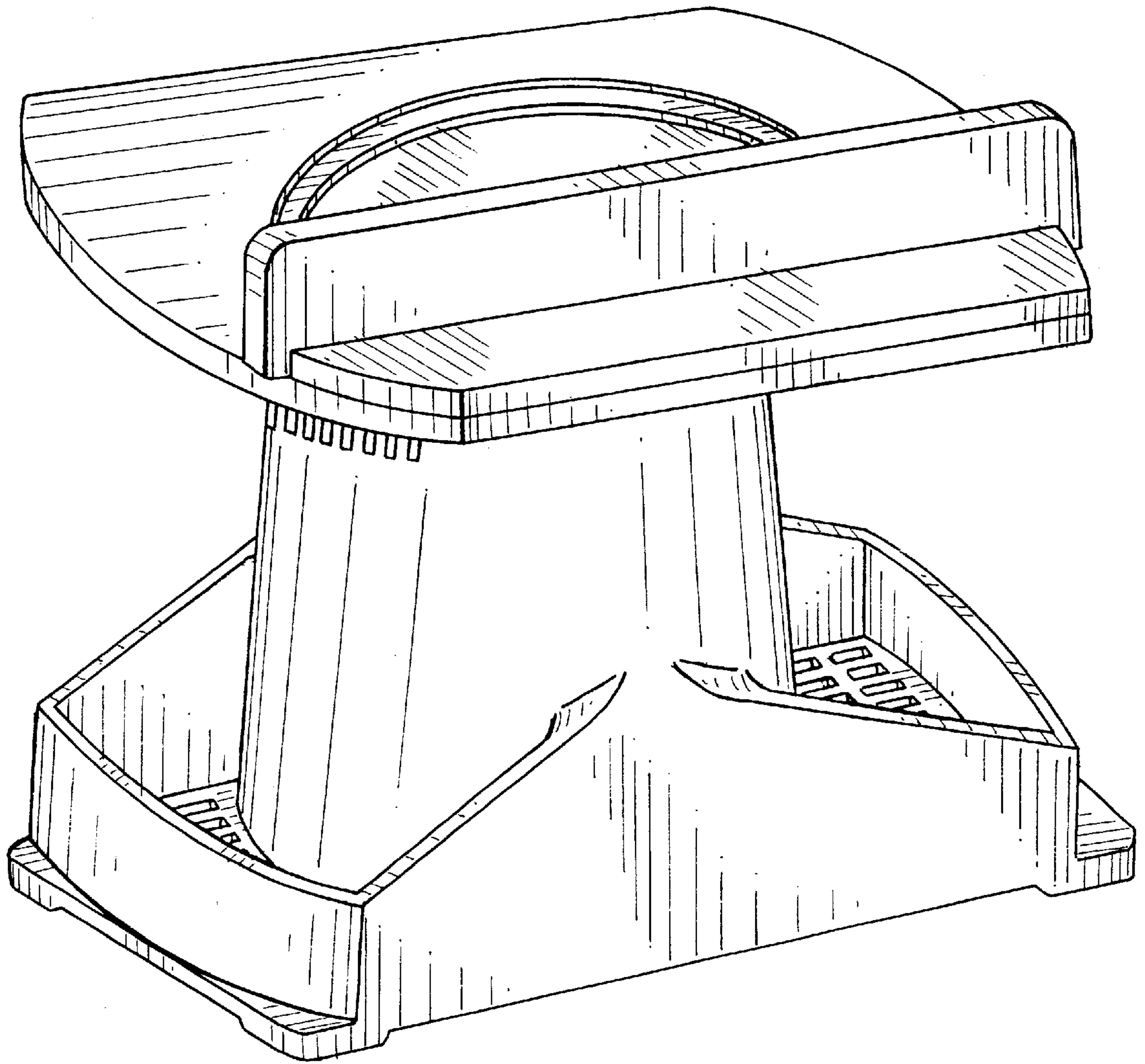


FIG. 18



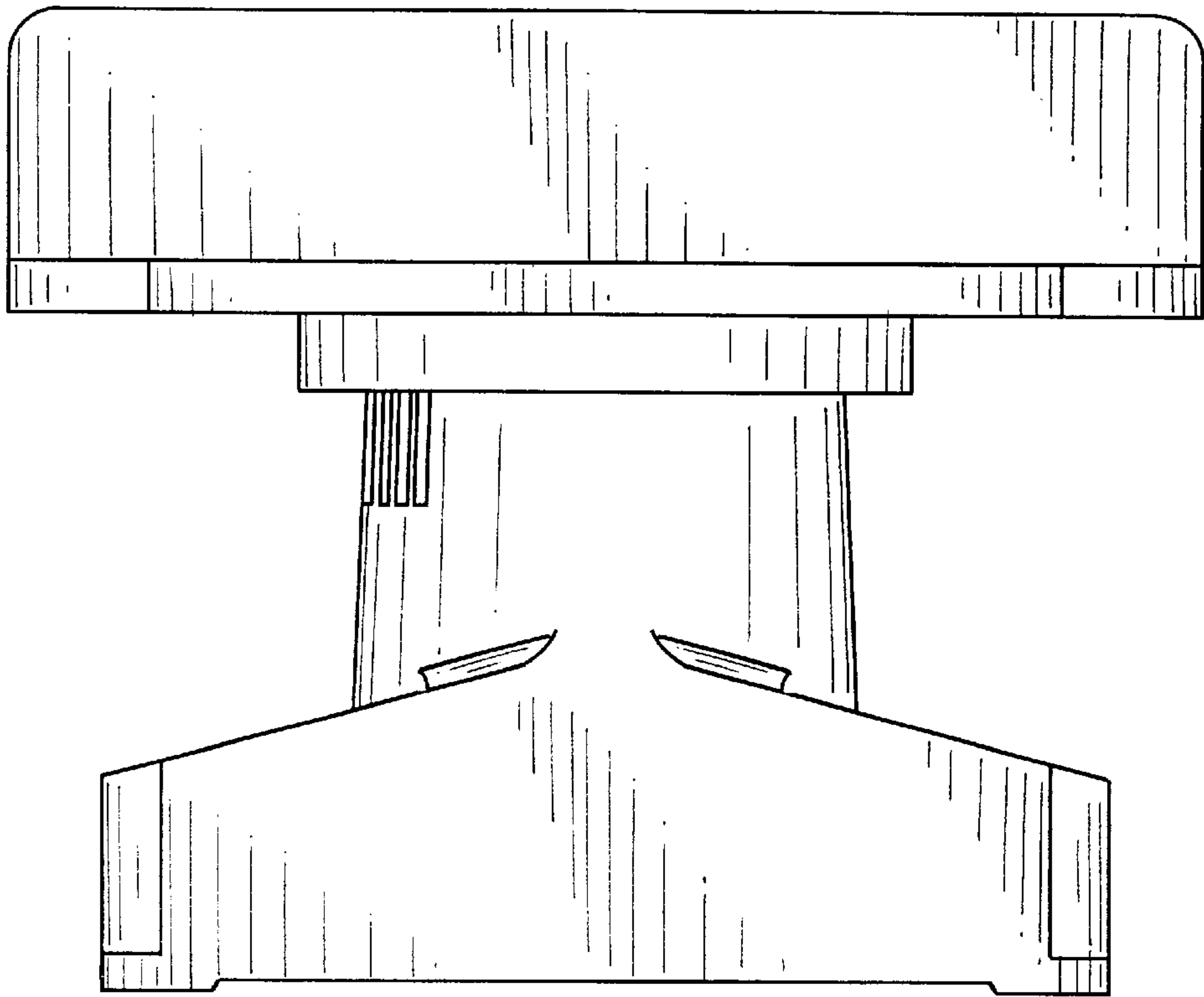


FIG. 19

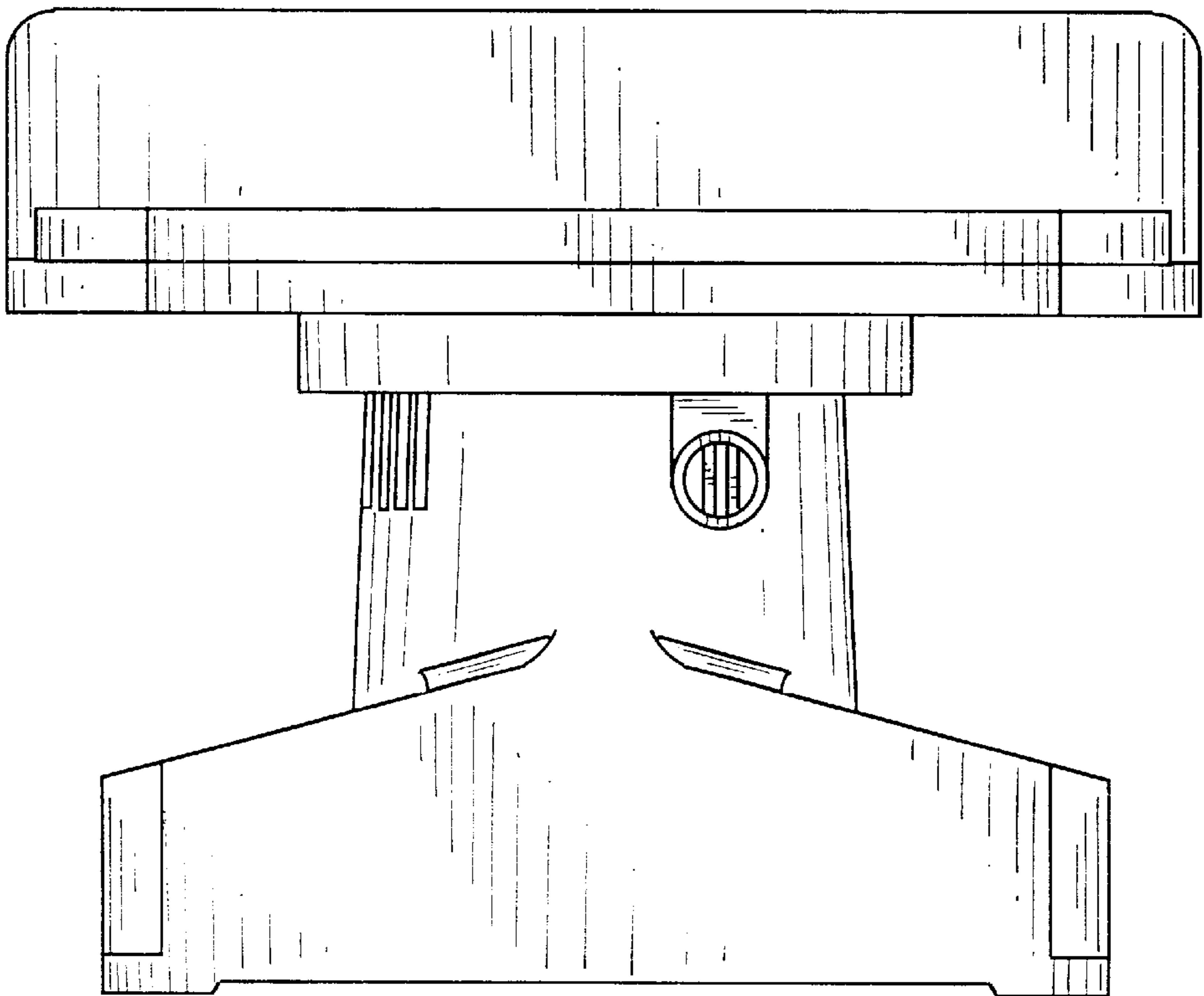


FIG. 20

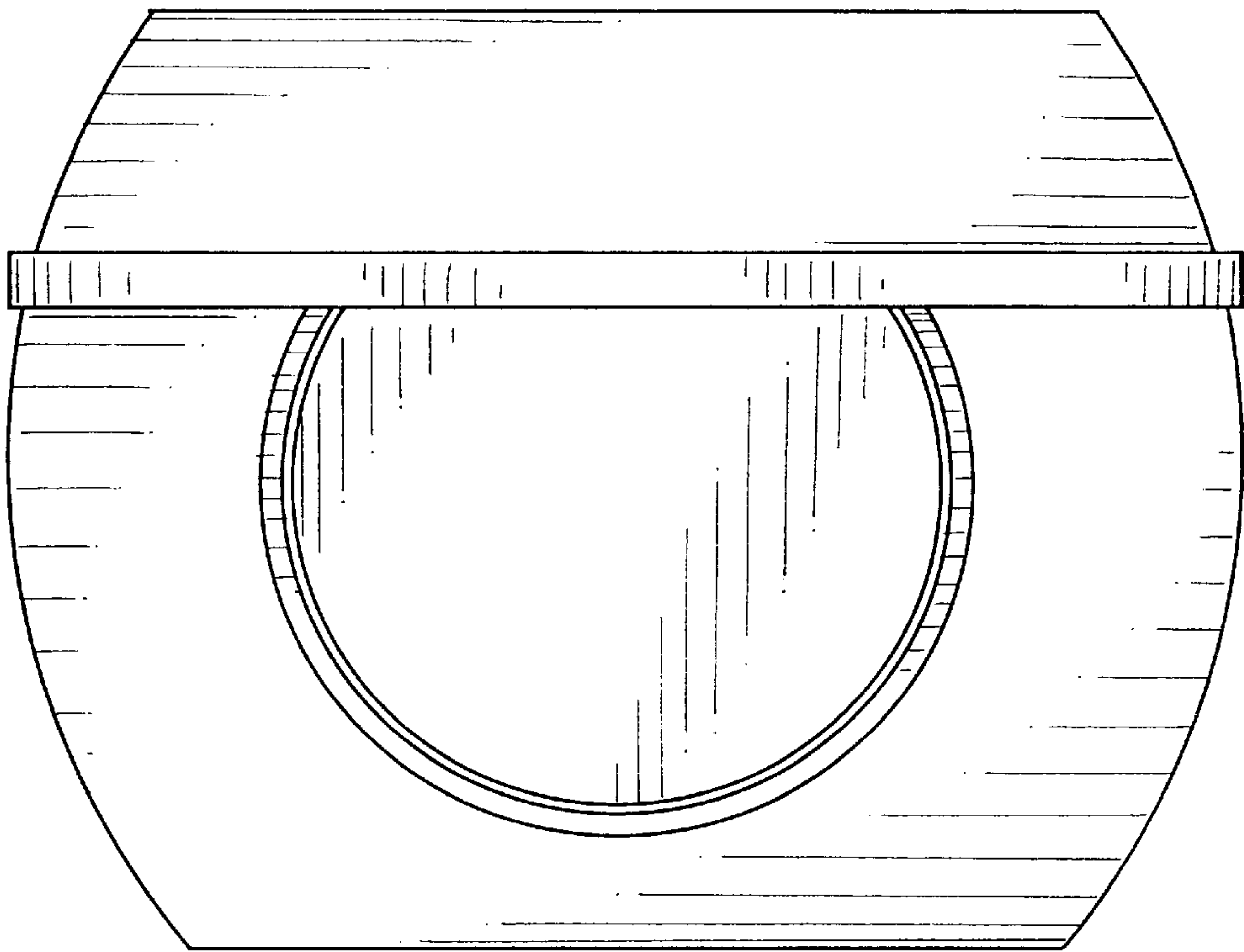


FIG. 21

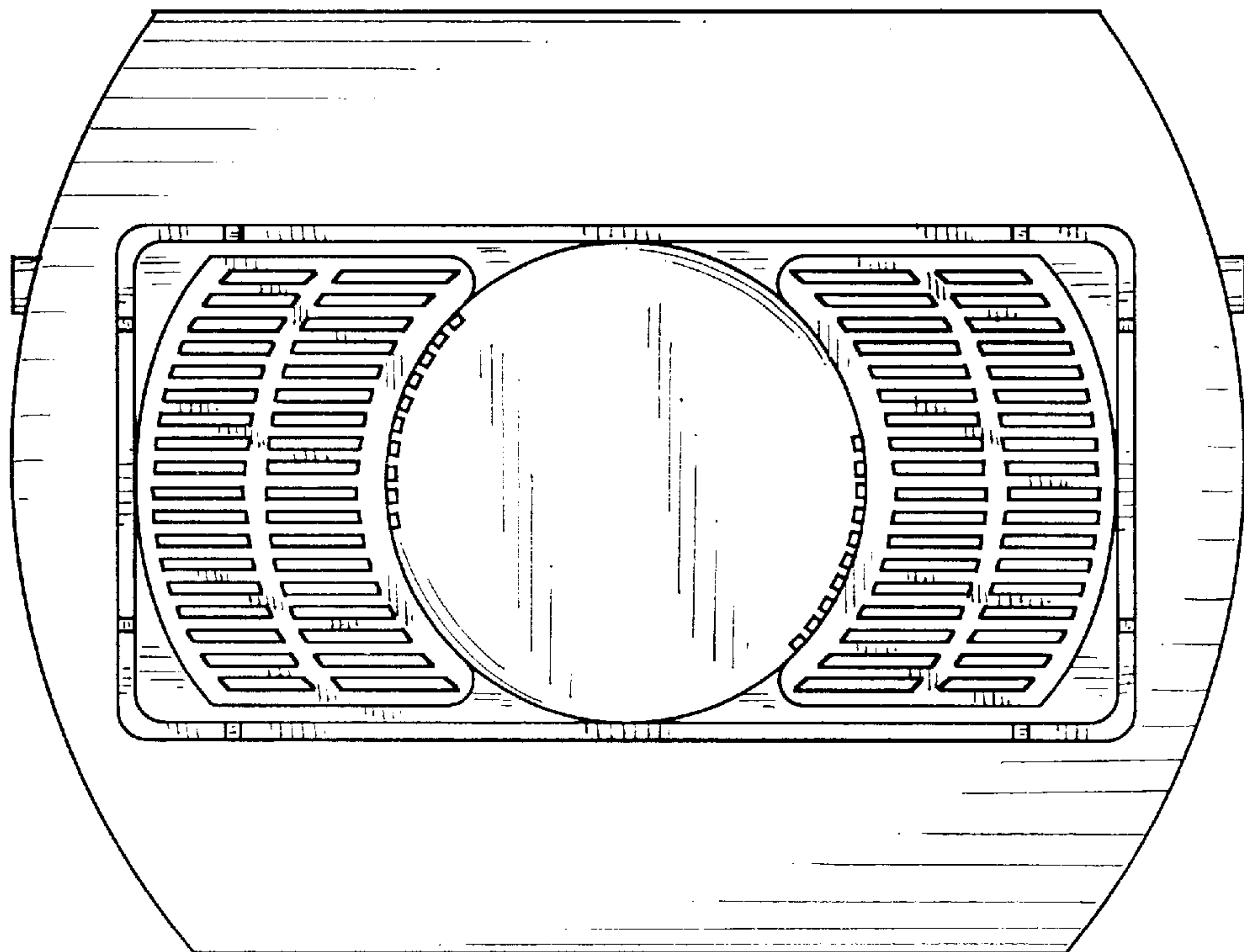


FIG. 22

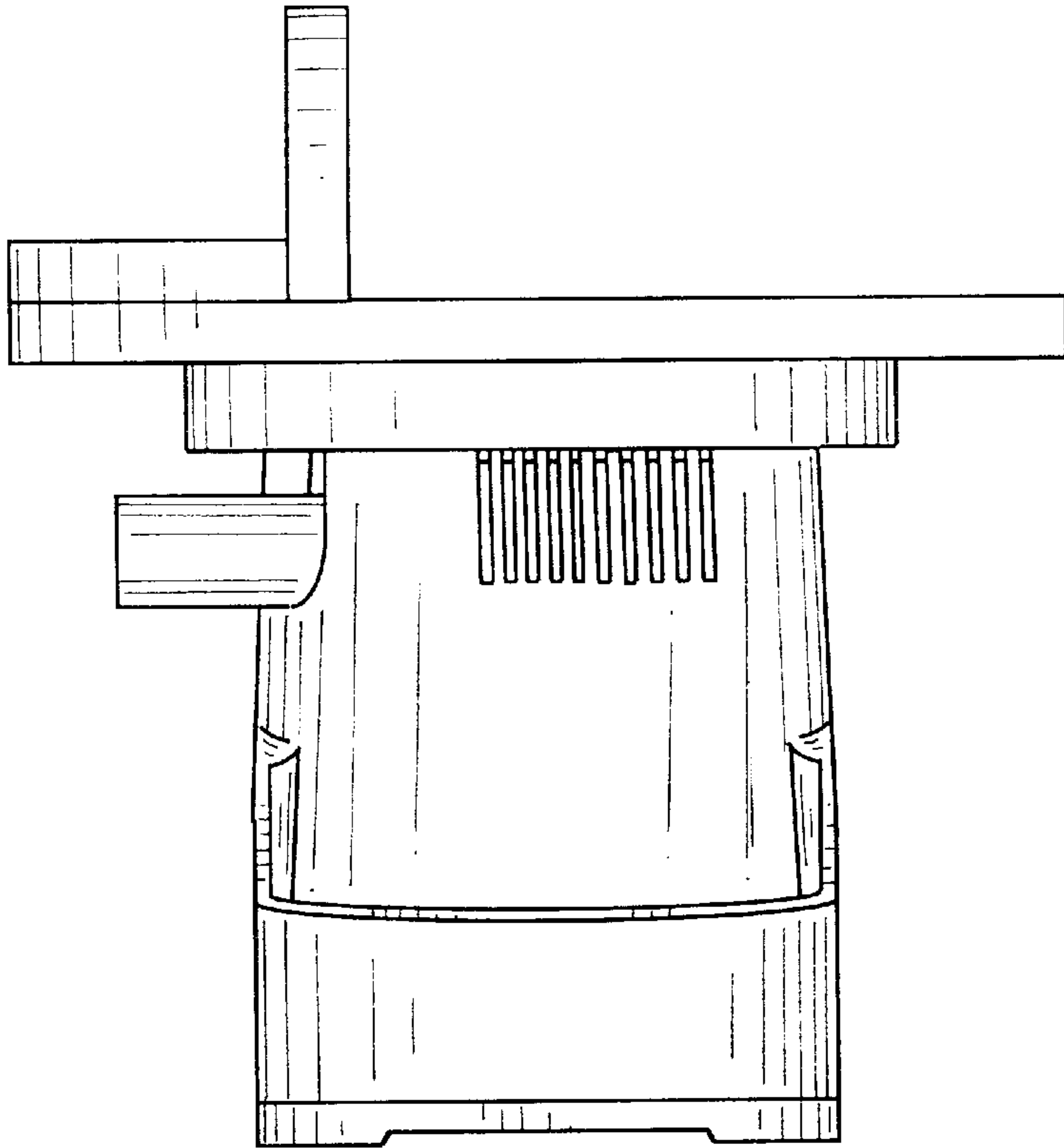


FIG. 23

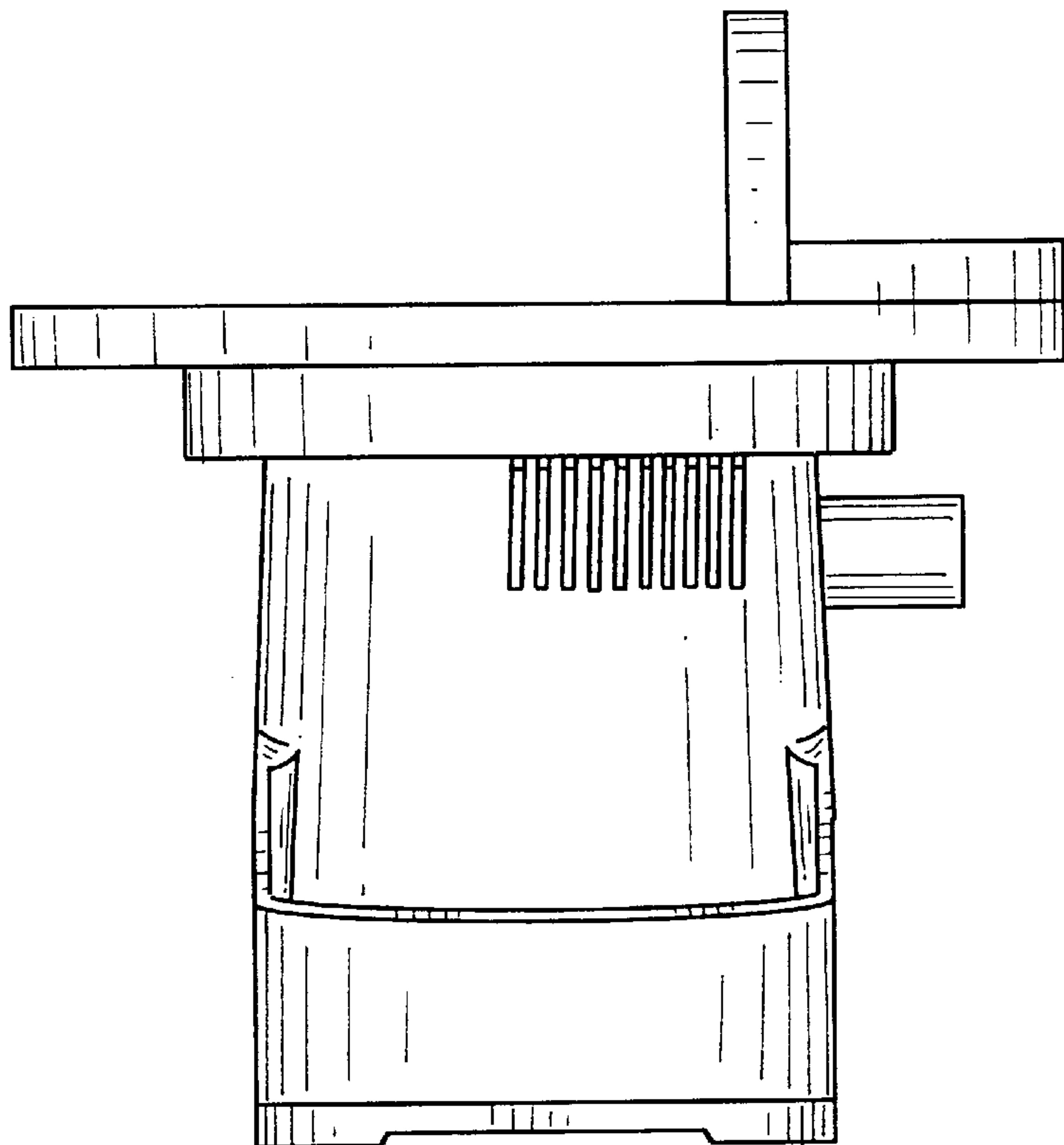


FIG. 24