



US00D411548S

United States Patent [19] Welsh

[11] Patent Number: Des. 411,548

[45] Date of Patent: ** Jun. 29, 1999

[54] SIDE RIB FOR A PLANER

[75] Inventor: Robert P. Welsh, Hunt Valley, Md.

[73] Assignee: Black & Decker Inc., Newark, Del.

[**] Term: 14 Years

[21] Appl. No.: 29/088,229

[22] Filed: May 19, 1998

D. 300,933	5/1989	Gemmani	D15/133
D. 305,606	1/1990	Cavedo	D15/133
D. 306,171	2/1990	Kronthaler	D15/133
D. 307,592	5/1990	Monobe et al.	D15/133
D. 311,192	10/1990	Juang	D15/133
D. 322,258	12/1991	Monobe	D15/133
D. 323,833	2/1992	Brickner	D15/133
D. 323,834	2/1992	Fashiya et al.	D15/133
D. 326,667	6/1992	Juang	D15/127
D. 340,060	10/1993	Emerich	D15/127
D. 370,018	5/1996	Jedlicka et al.	D15/127
3,718,168	2/1973	Berends	D15/127 X

Related U.S. Application Data

[63] Continuation of application No. 29/081,850, Dec. 15, 1997, Pat. No. Des. 397,122, which is a continuation of application No. 29/065,049, Jan. 17, 1997, Pat. No. Des. 395,320, which is a continuation of application No. 29/062,168, Nov. 8, 1996, Pat. No. Des. 387,070.

[51] LOC (6) Cl. 15-09

[52] U.S. Cl. D15/124; D15/127

[58] Field of Search D15/124, 126, D15/127; 144/17.1, 114.1, 117 R, 144 R, 124-127 A, 154.5, 129, 130, 218, 225, 228, 230, 242.5, 245.1, 246.1, 250.2, 253.2, 252.1, 375; 408/115 R, 241 S; 409/179, 181; 606/79, 88, 172

[56] References Cited

U.S. PATENT DOCUMENTS

D. 267,408	12/1982	Glore	D15/133
D. 276,616	12/1984	Legler et al.	D15/133
D. 284,286	6/1986	Pioch et al.	D15/133
D. 285,083	8/1986	Miyamoto	D15/133
D. 285,448	9/1986	Hashii	D15/133
D. 286,536	11/1986	Beck et al.	D15/133
D. 299,146	12/1988	Pollack et al.	D15/133

Primary Examiner—Antoine Duval Davis
Attorney, Agent, or Firm—Adan Ayala

[57] CLAIM

The ornamental design for a side rib for a planer, as shown and described.

DESCRIPTION

FIG. 1 is a left side perspective view from the front of a first embodiment of a side rib for a planer showing my new design;

FIG. 2 is a top plan view of the first embodiment;

FIG. 3 is a back elevational view of the first embodiment;

FIG. 4 is a front elevational view of the first embodiment;

FIG. 5 is a right side elevational view of the first embodiment;

FIG. 6 is a left side elevational view of the first embodiment;

FIG. 7 is a left side perspective view from the front of the first embodiment, shown in an alternate condition of use; and,

FIG. 8 is a left side perspective view from the front of a second embodiment of a planer showing my new design with an installed knob.

1 Claim, 7 Drawing Sheets

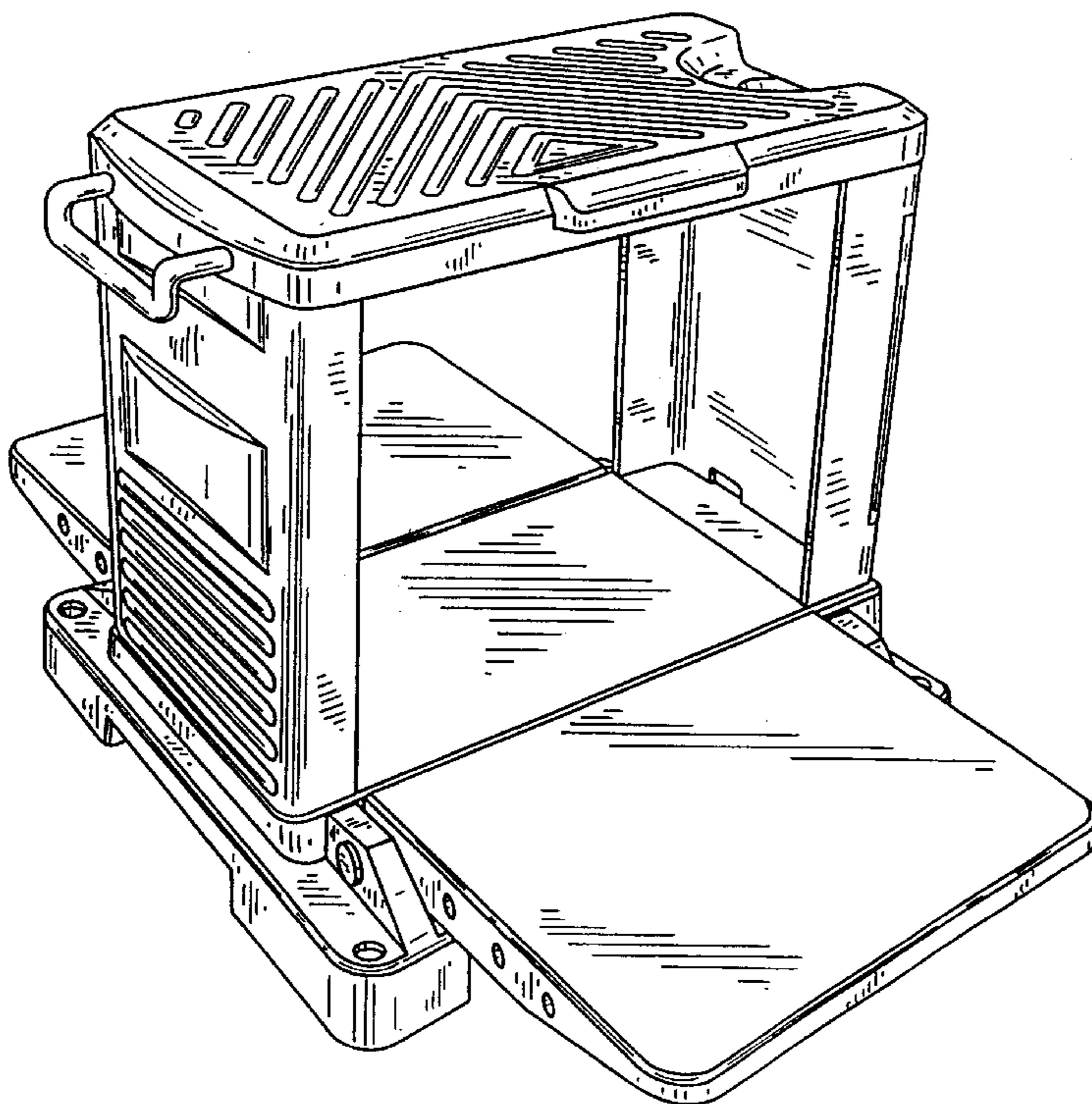


FIG. 1

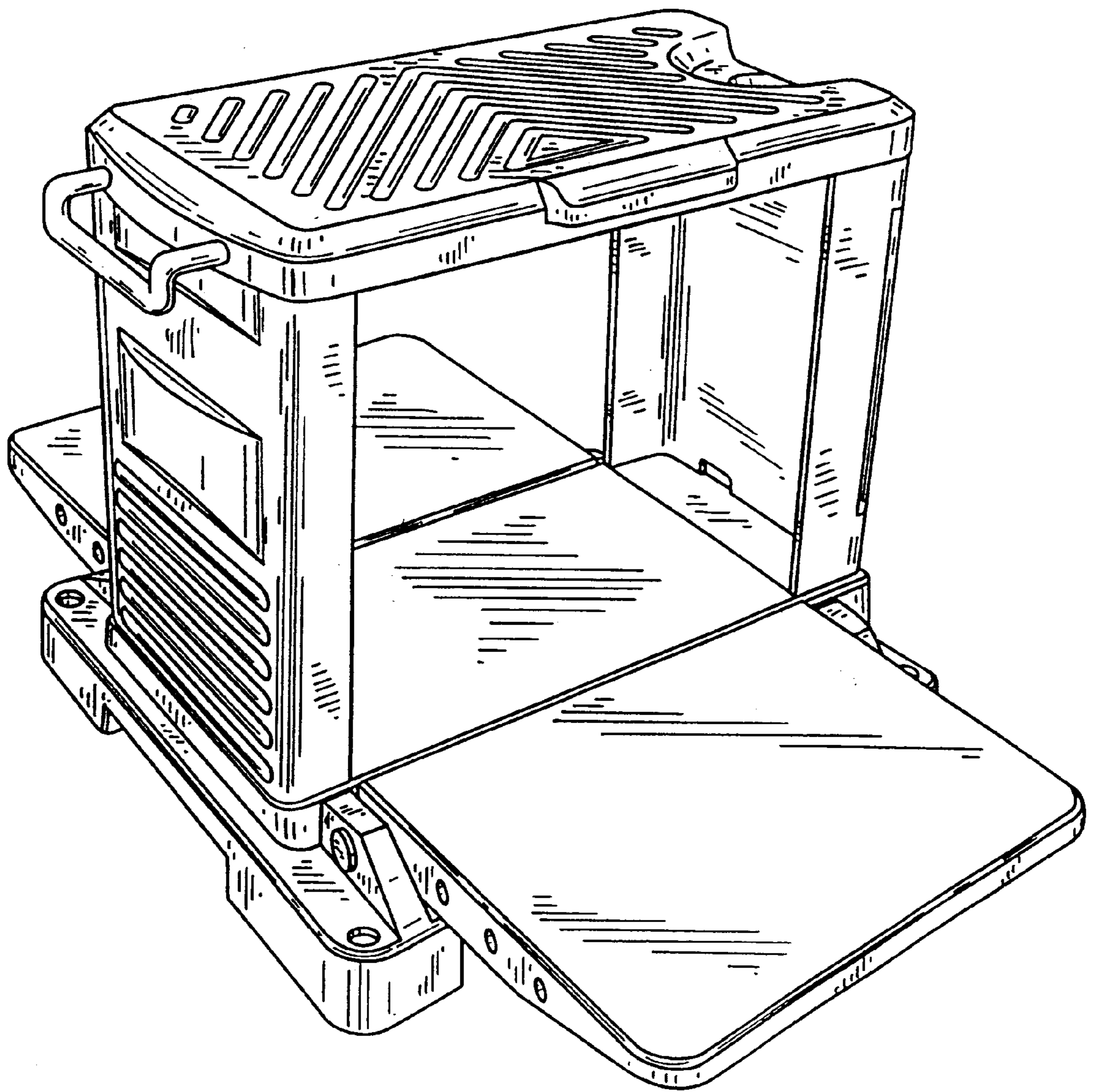


FIG. 2

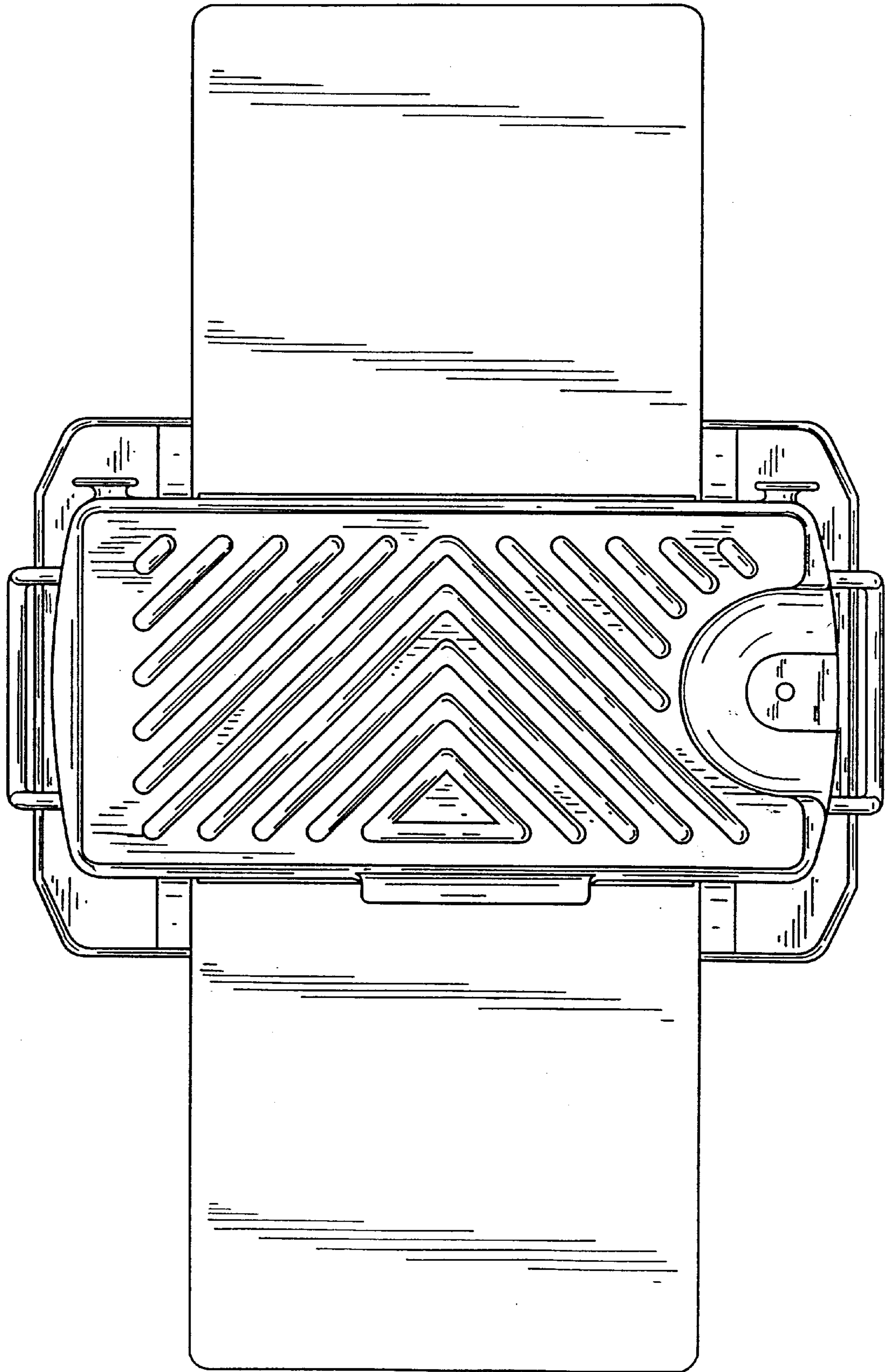


FIG. 3

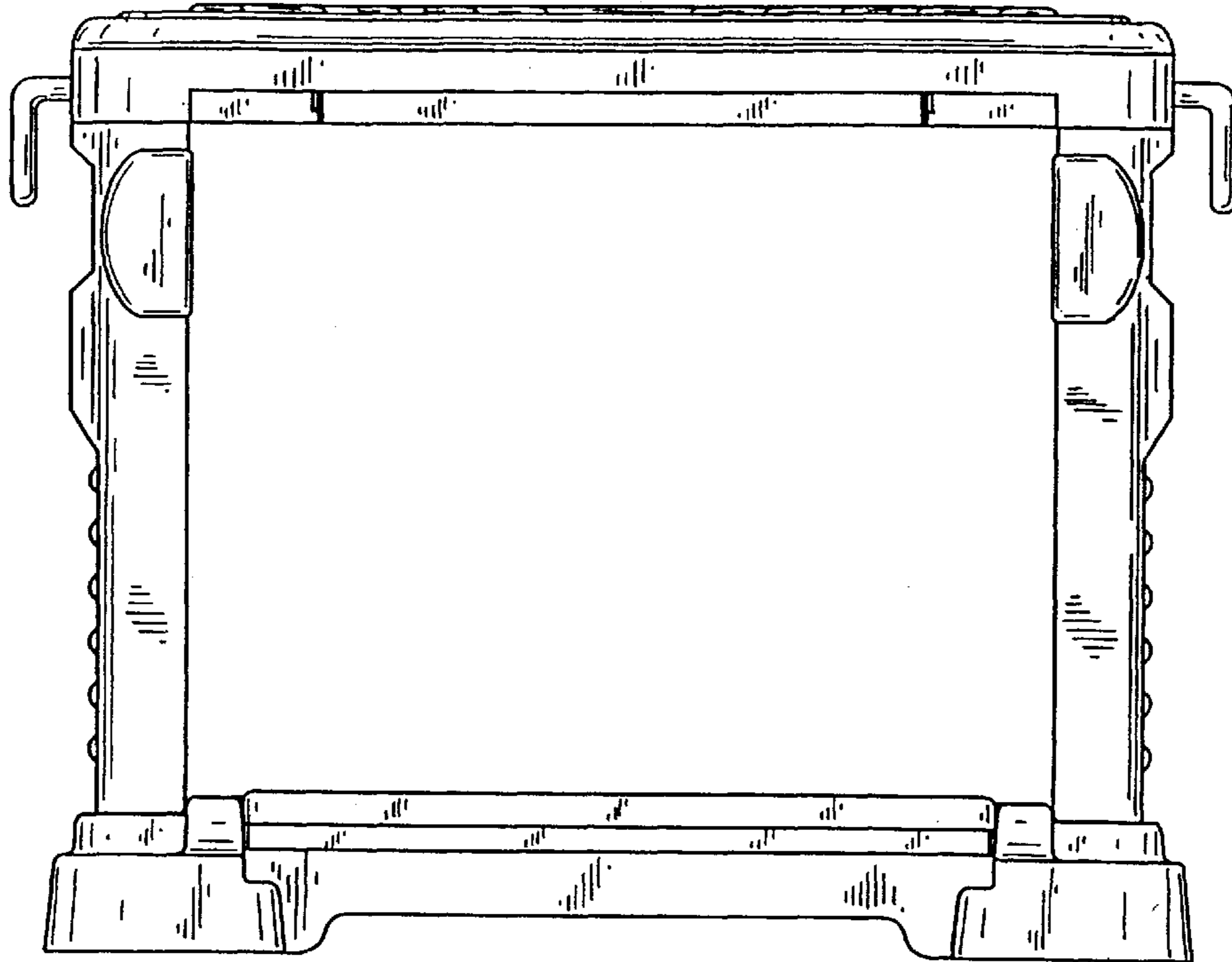


FIG. 4

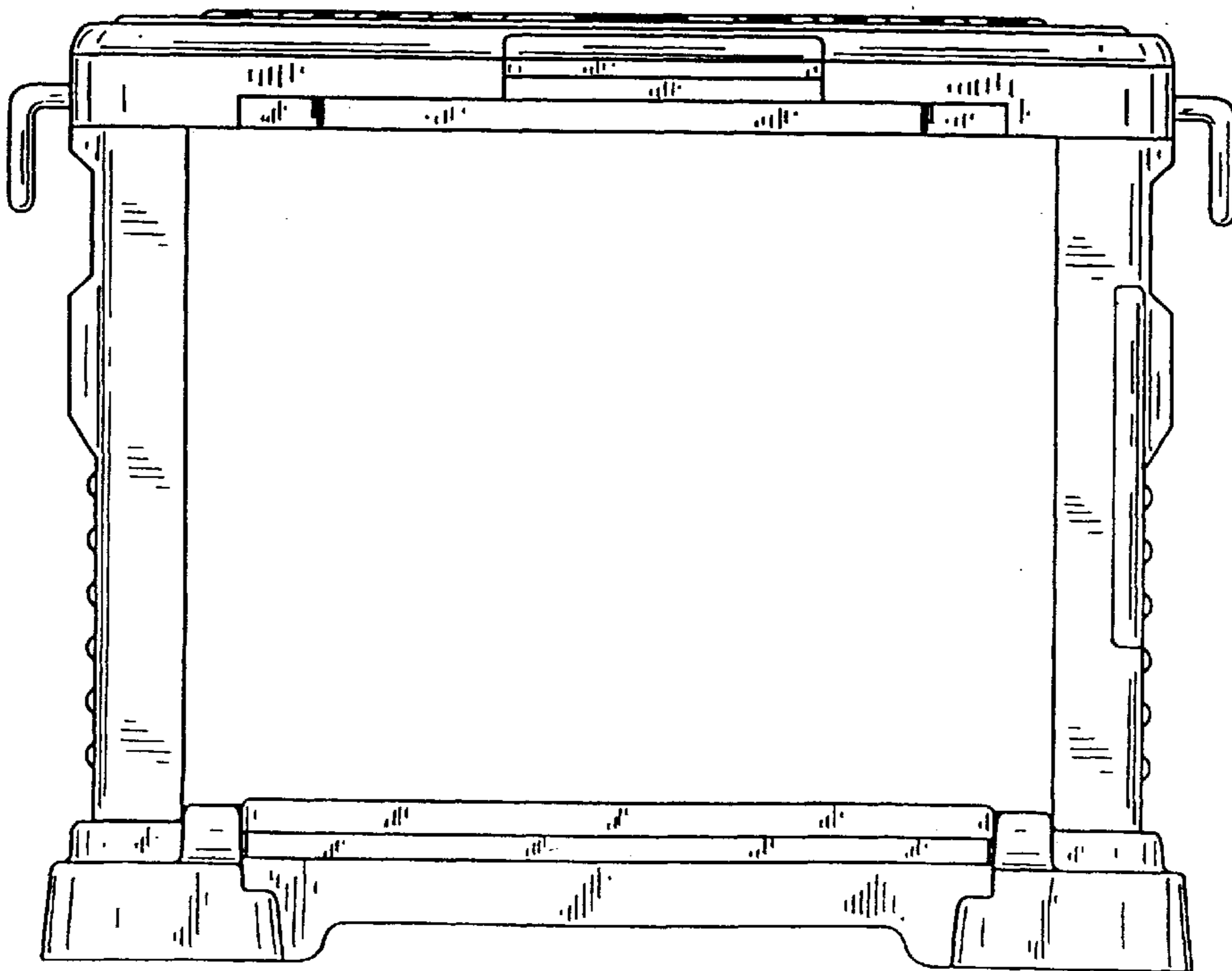


FIG. 5

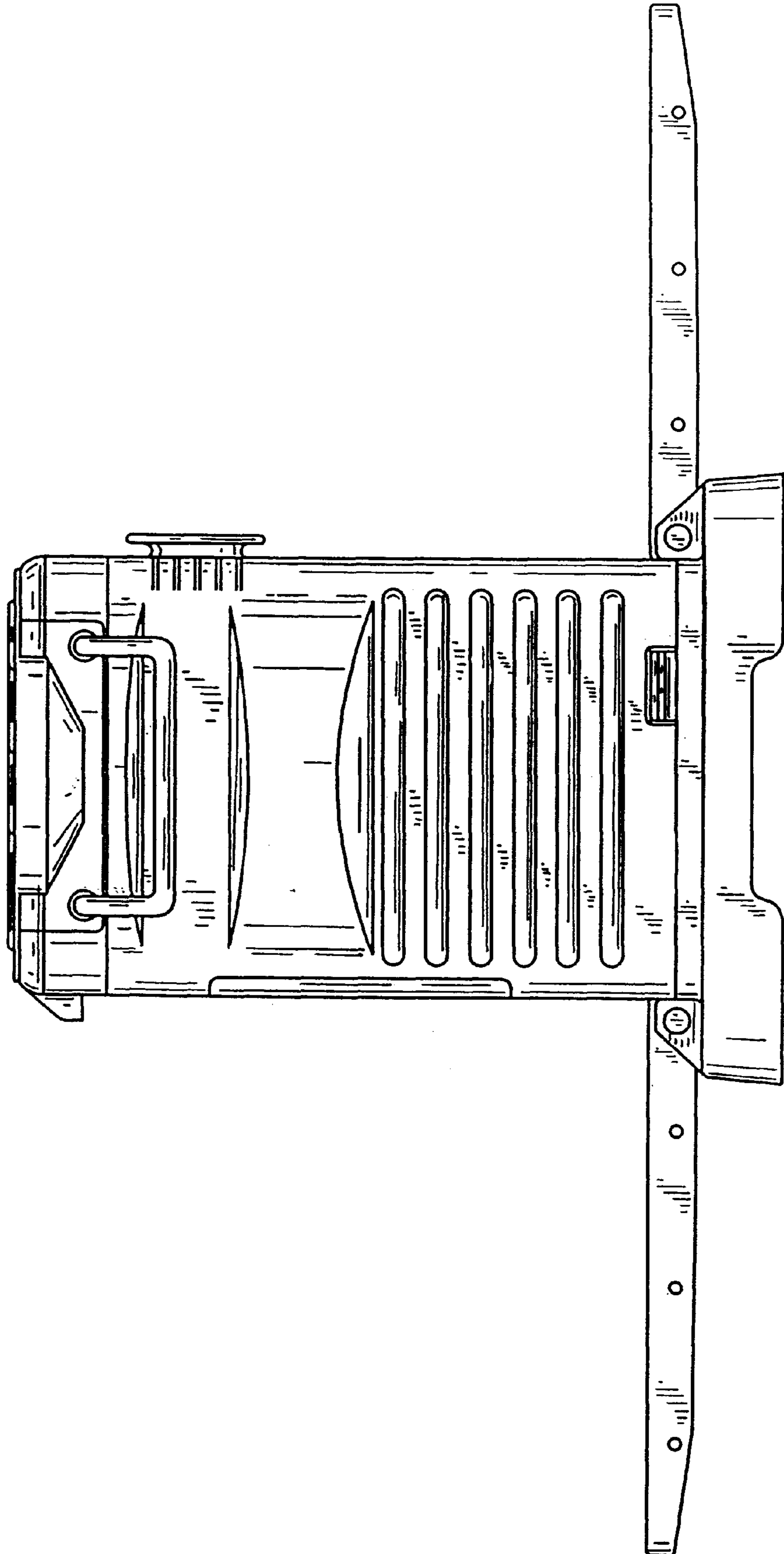


FIG. 6

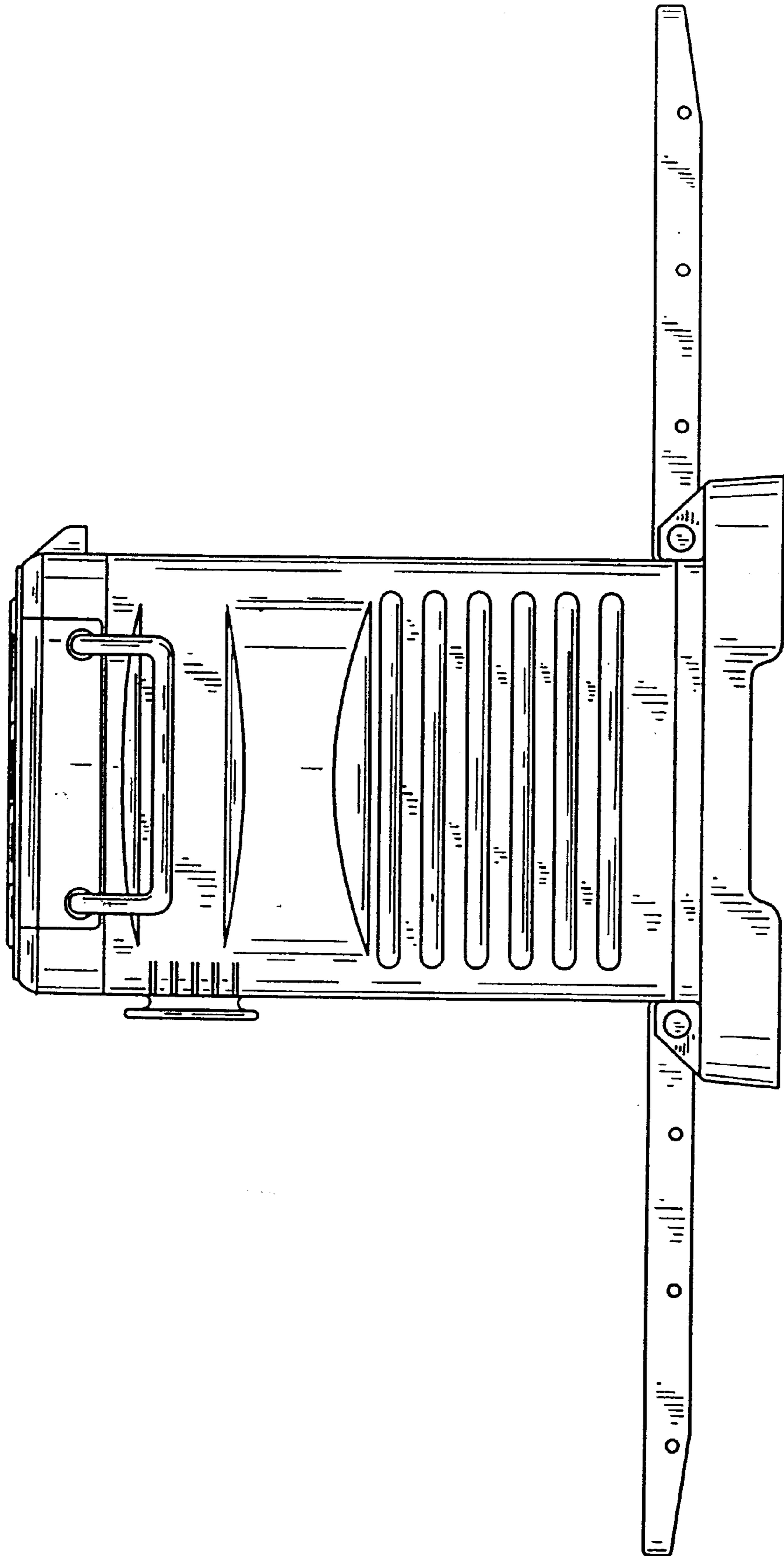


FIG. 7

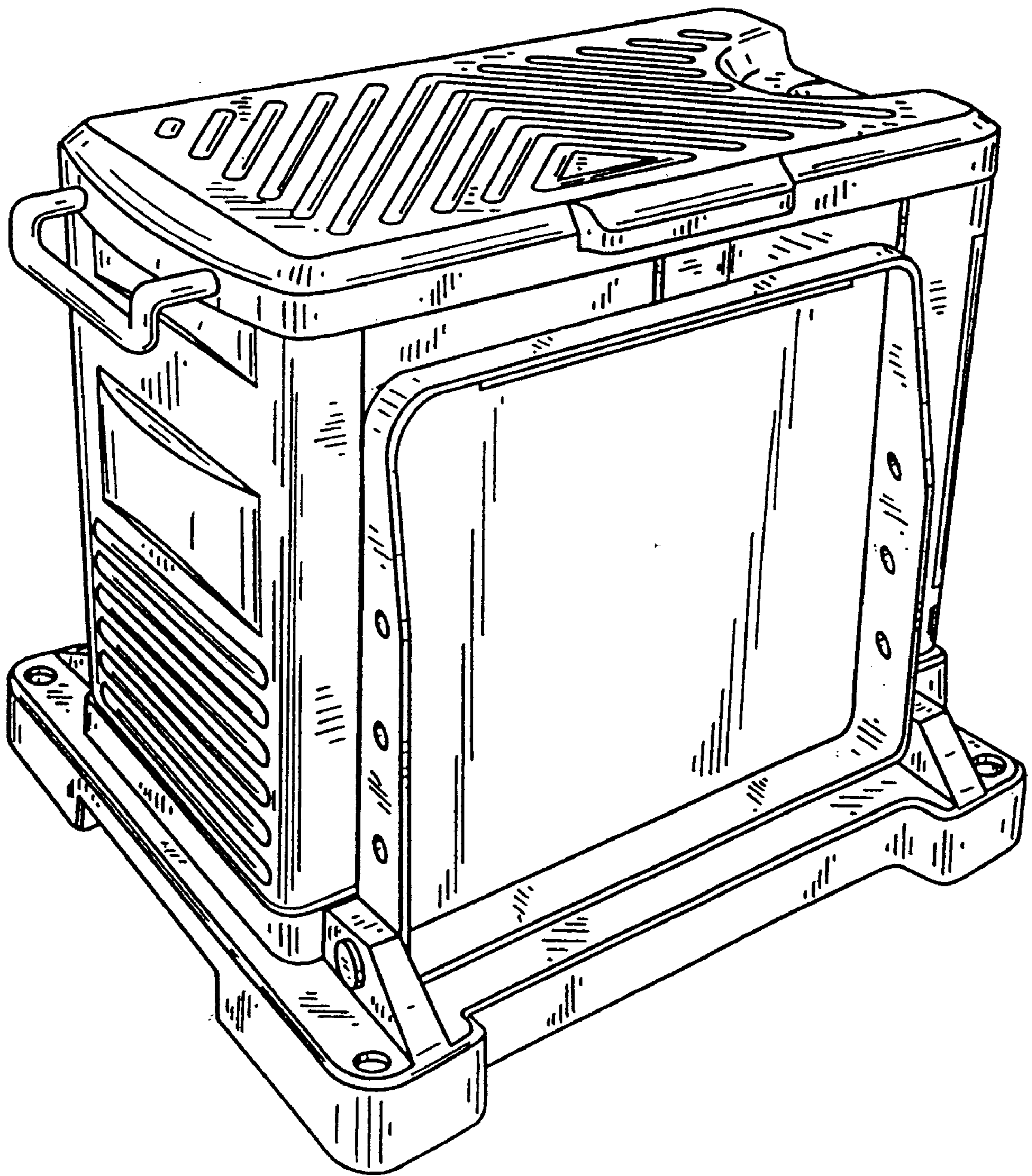


FIG. 8

