



US00D411547S

United States Patent [19] Mori

[11] **Patent Number: Des. 411,547**

[45] **Date of Patent: ** Jun. 29, 1999**

[54] **REFRIGERATOR SHOWCASE**

[75] Inventor: **Kanta Mori**, Isesaki, Japan

[73] Assignee: **Sanden Corp.**, Isesaki, Japan

[**] Term: **14 Years**

[21] Appl. No.: **29/083,482**

[22] Filed: **Feb. 11, 1998**

[51] **LOC (6) Cl.** **15-07**

[52] **U.S. Cl.** **D15/85; D6/470**

[58] **Field of Search** D6/470-472; D15/79,
D15/81-91; 62/293, 339, 373, 440, 444,
445; 312/116, 138.1, 139.1, 236, 405

[56] **References Cited**

U.S. PATENT DOCUMENTS

D. 352,620	11/1994	Geisen et al.	D6/470
D. 366,578	1/1996	Cormican et al.	D6/470
4,206,615	6/1980	Sobajima et al.	D6/470
4,840,439	6/1989	Nara et al.	312/116

OTHER PUBLICATIONS

Foodservice Equipment & Supplies Specialist, Mar. 1997. P. 202, Silver King Compact Display Case.

Primary Examiner—Sandra L. Morris
Attorney, Agent, or Firm—Kenjiro Hidaka

[57] **CLAIM**

The ornamental design for a refrigerator showcase, as shown and described.

DESCRIPTION

FIG. 1 is a top, front, left side perspective view of a refrigerator showcase showing my new design; FIG. 2 is a front elevational view thereof; FIG. 3 is a left side elevational view thereof; FIG. 4 is a right side elevational view thereof; FIG. 5 is a rear elevational view thereof; FIG. 6 is a top plan view thereof; and, FIG. 7 is a bottom plan view thereof. FIGS. 2 -7 are shown on a reduced scale.

1 Claim, 6 Drawing Sheets

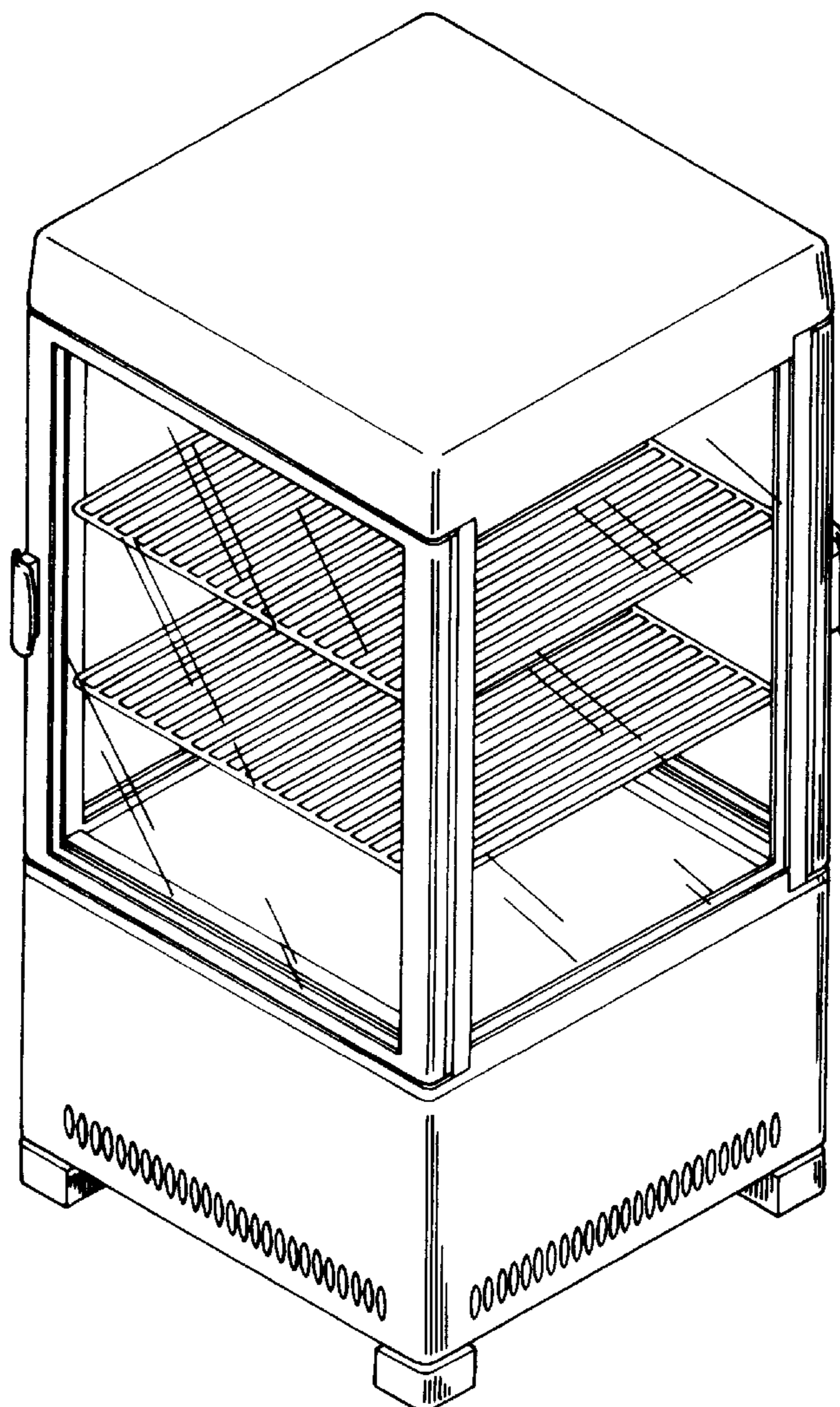


FIG. 1

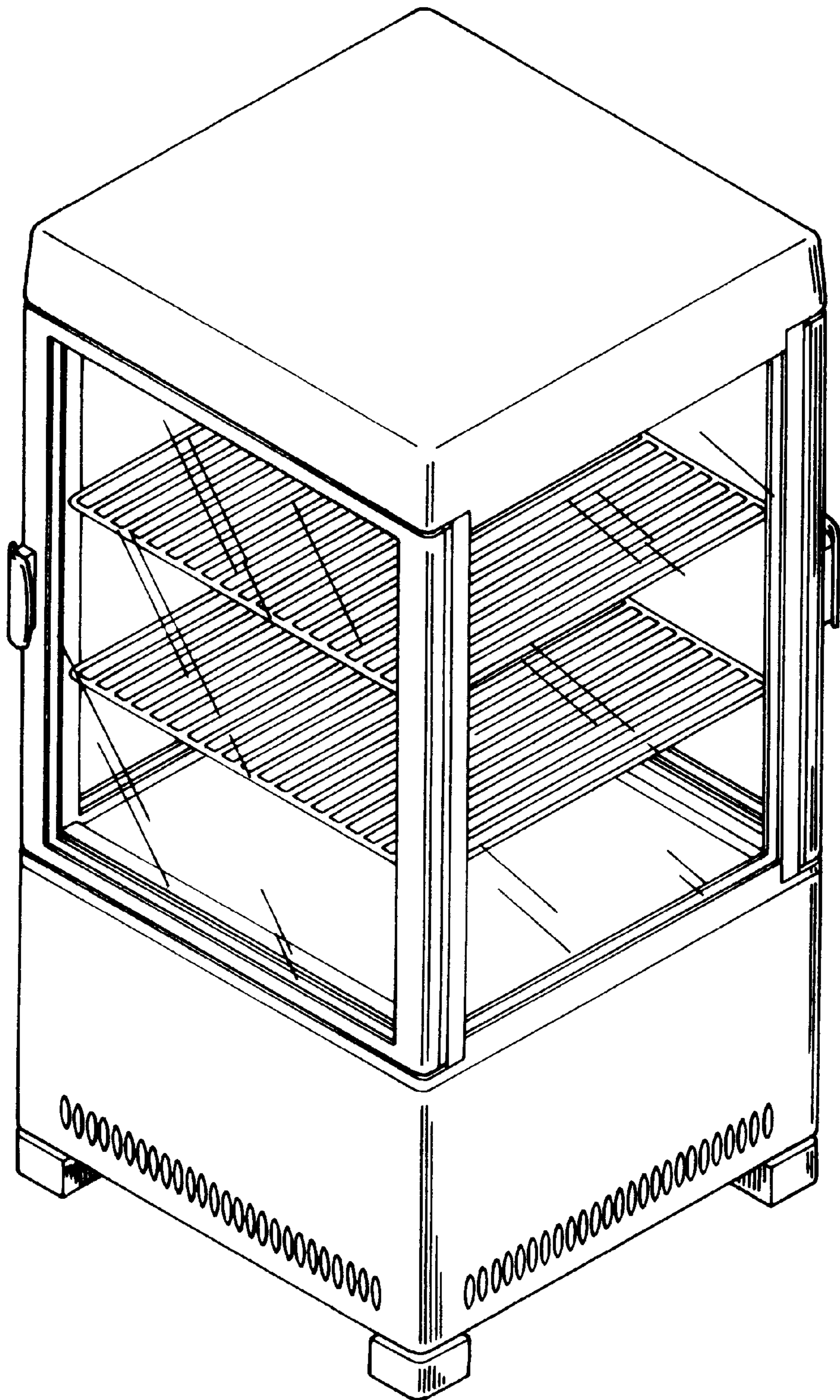


FIG. 2

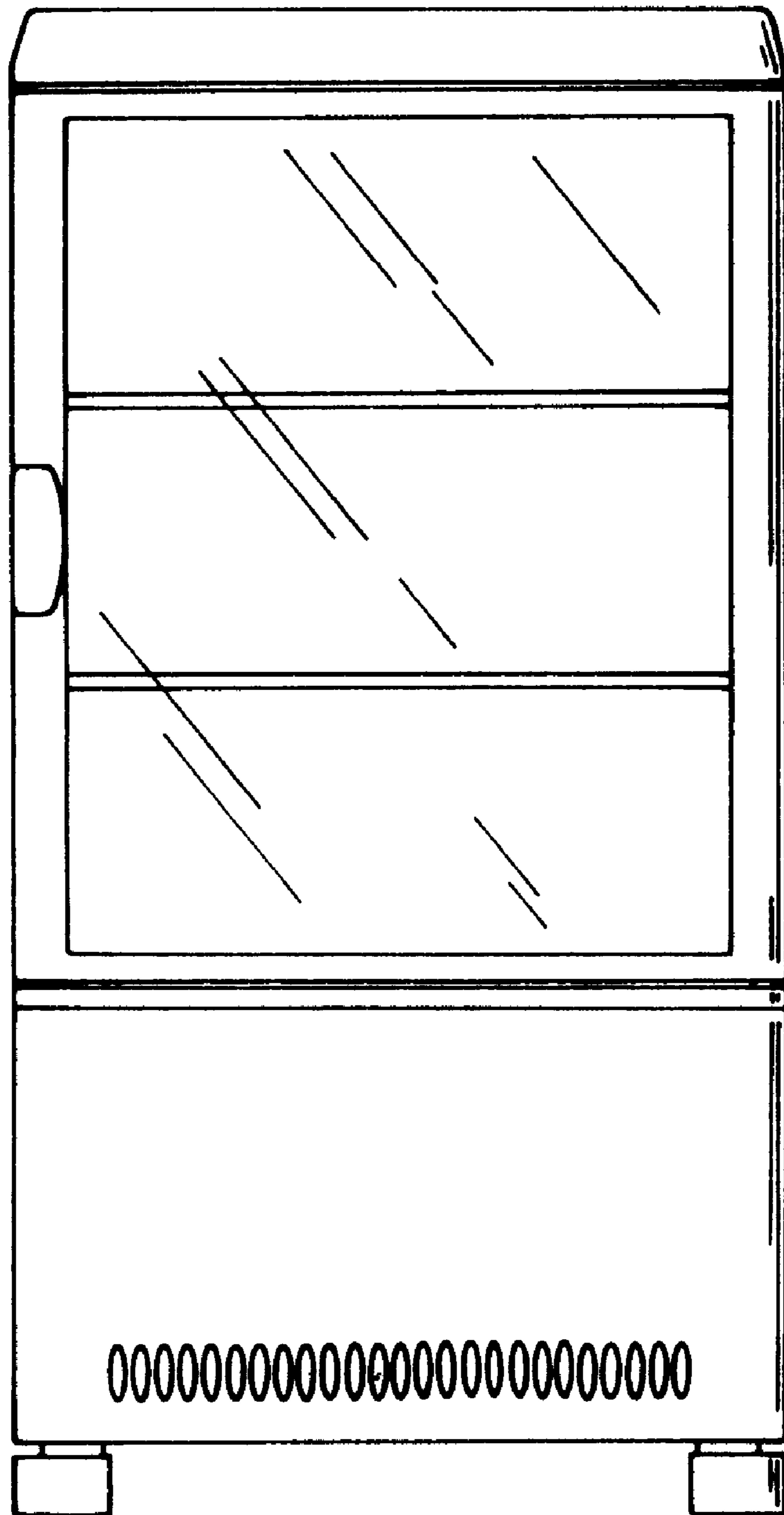


FIG. 3

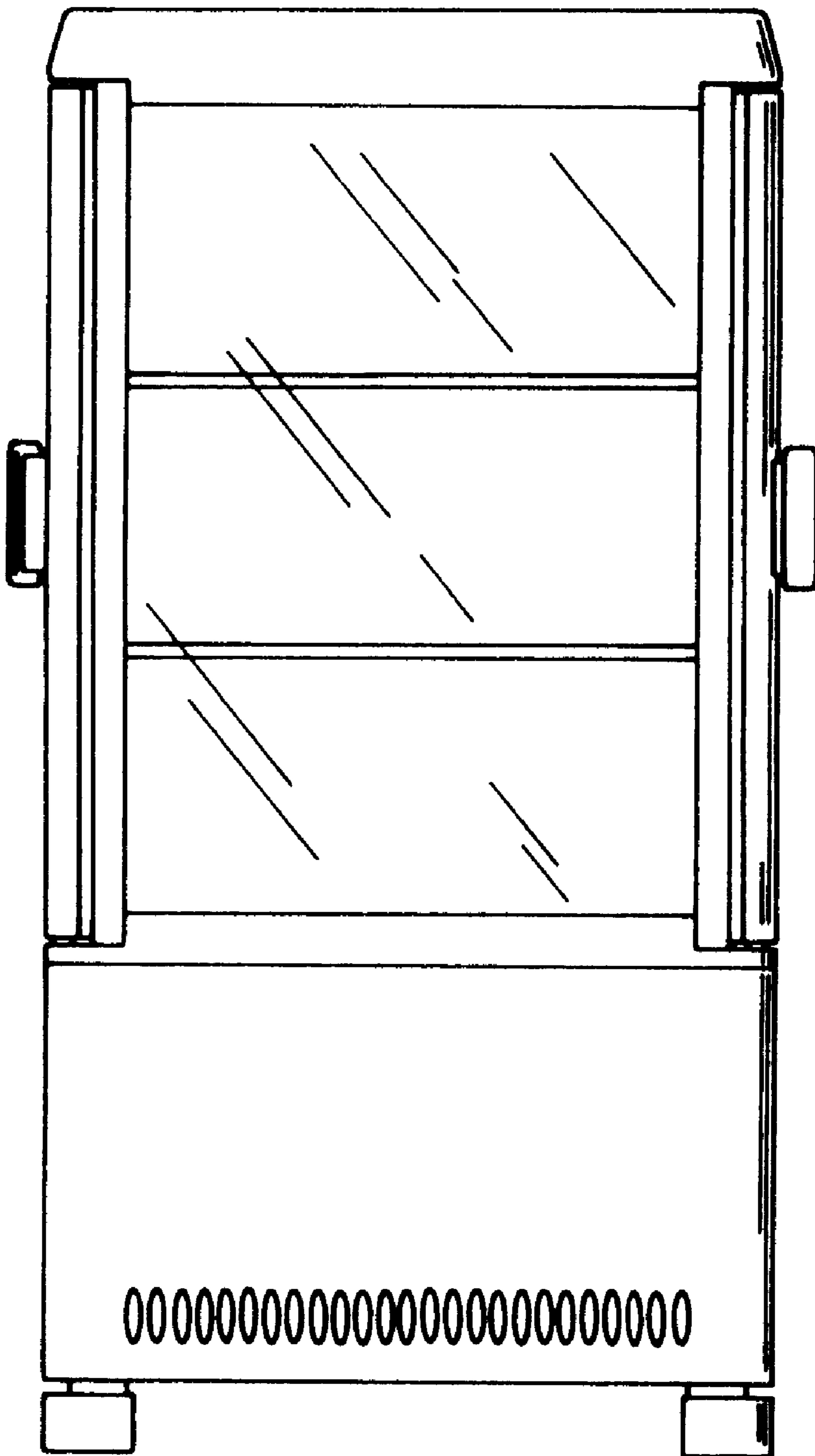


FIG. 4

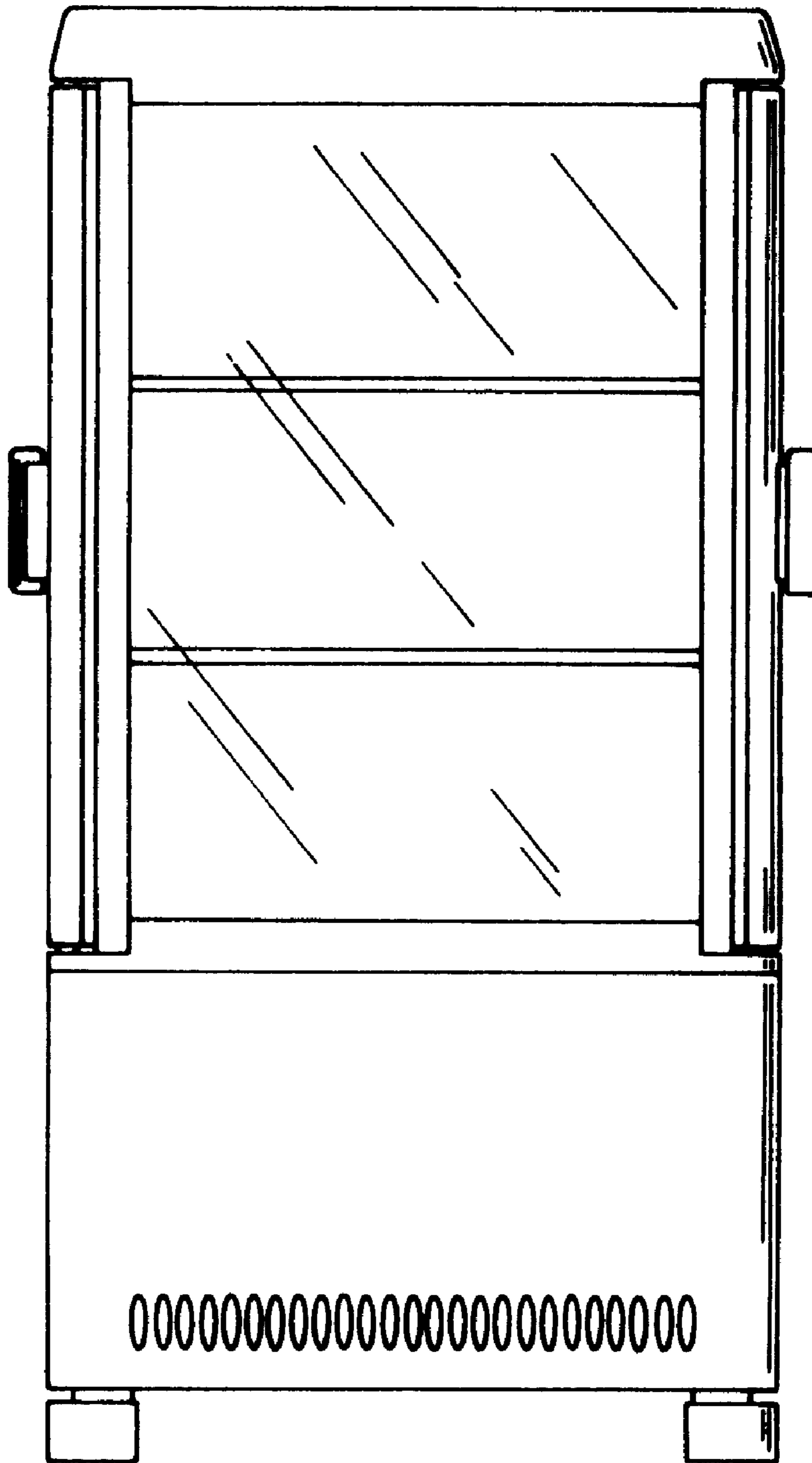


FIG. 5

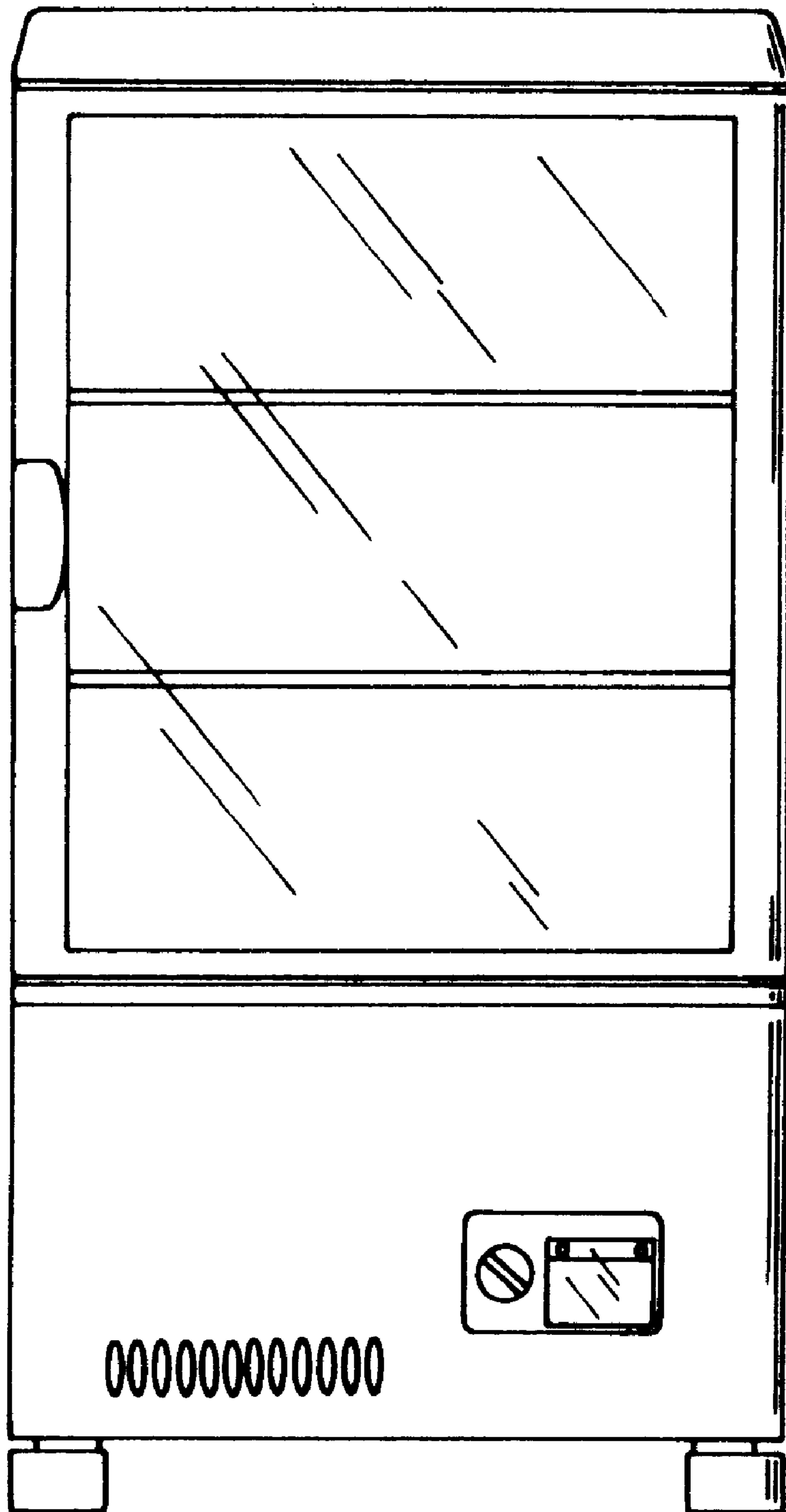


FIG. 7

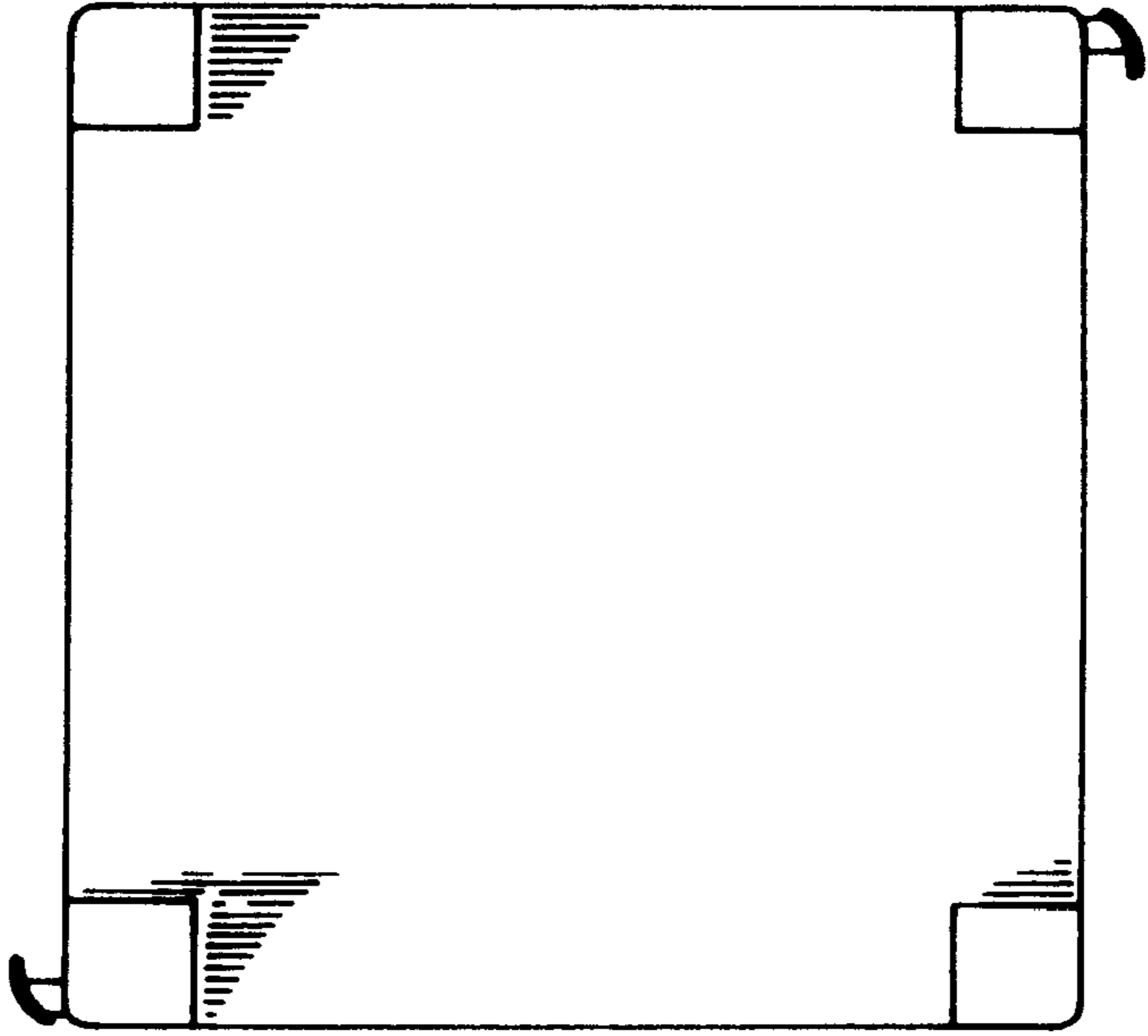


FIG. 6

