



US00D411544S

United States Patent [19] Richter

[11] Patent Number: **Des. 411,544**

[45] Date of Patent: **** Jun. 29, 1999**

[54] **CLAMP WITH NECK AND TELEPHONE HOLDER WITH SIDE WALL**

5,568,549 10/1996 Wang 379/446
5,659,612 8/1997 Wang 379/446
5,799,914 9/1998 Chivallier et al. 224/929

[76] Inventor: **Herbert Richter**, Drosselweg 8, 75331 Engelbrand, Germany

Primary Examiner—Jeffrey Asch
Attorney, Agent, or Firm—Klaus J. Bach

[**] Term: **14 Years**

[57] CLAIM

[21] Appl. No.: **29/098,683**

The ornamental design for a clamp with neck and telephone holder with side wall, as shown and described.

[22] Filed: **Jan. 4, 1999**

DESCRIPTION

[51] **LOC (6) Cl.** **14-03**

[52] **U.S. Cl.** **D14/253**

[58] **Field of Search** D14/137, 138, D14/148, 147, 149-151, 140-142, 240, 241, 251, 253; 379/433-436, 419, 420, 428, 440, 454, 455, 446, 447; D13/107, 108; 320/110, 113, 114, 115; D7/388, 392.1; D8/354, 349, 373, 395, 396, 71; D16/242; D11/131, 132

FIG. 1 is a perspective view of the clamp with neck and telephone holder with side wall;
FIG. 2 is a left end view of the clamp with neck and telephone holder with side wall shown in FIG. 1;
FIG. 3 is a right end view of the clamp with neck and telephone holder with side wall shown in FIG. 2;
FIG. 4 is a right side view of the clamp with neck and telephone holder with side wall shown in FIG. 1;
FIG. 5 is a left side view of the clamp with neck and telephone holder with side wall shown in FIG. 1;
FIG. 6 is a top view of the clamp with neck and telephone holder with side wall shown in FIG. 1; and,
FIG. 7 is a bottom view of the clamp with neck and telephone holder with side wall shown in FIG. 1.

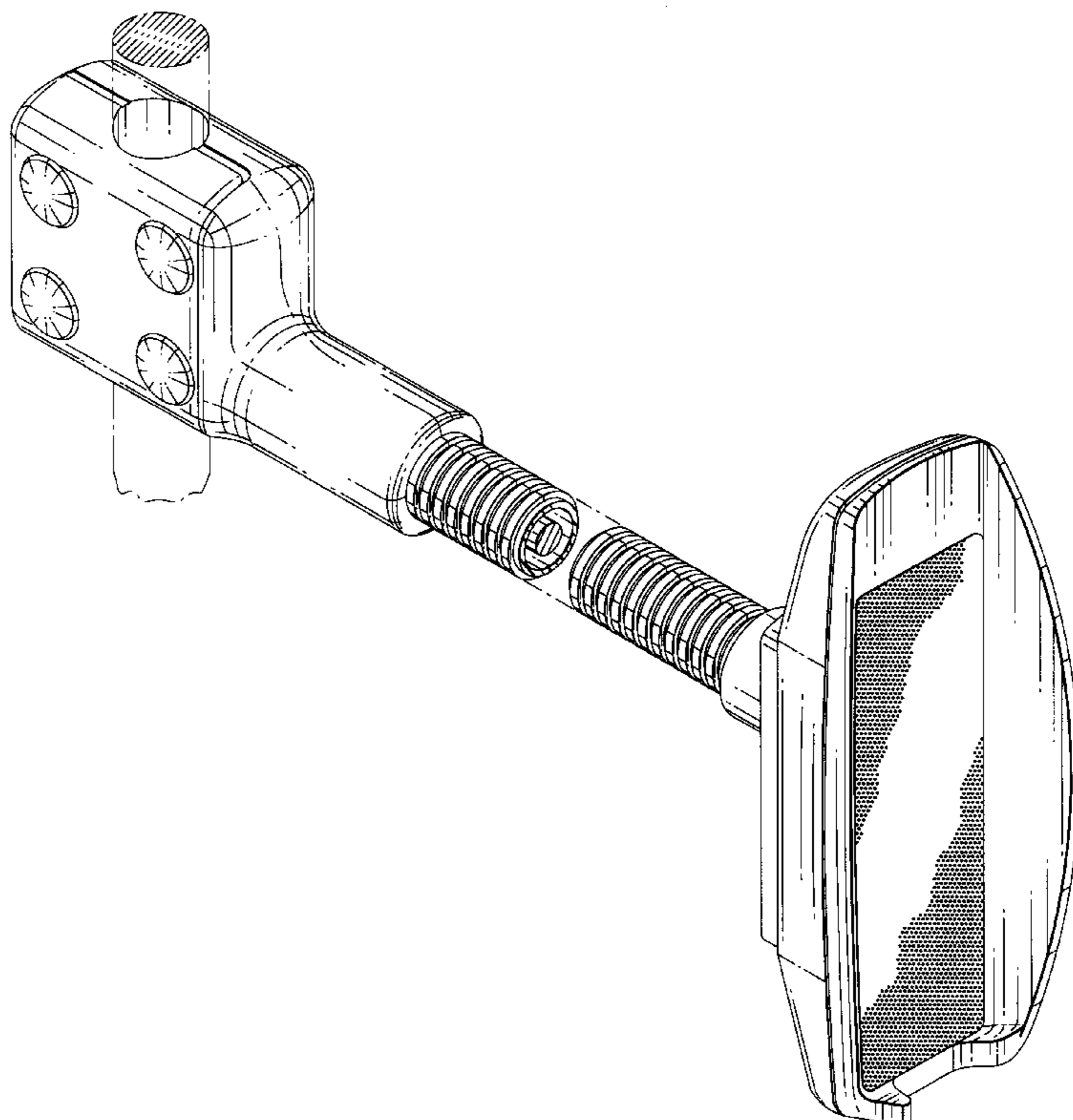
[56] References Cited

U.S. PATENT DOCUMENTS

D. 309,307	7/1990	Sigurdson	D14/251
D. 321,885	11/1991	Sheldrake	D14/253
D. 337,333	7/1993	Turk	D14/251
D. 363,492	10/1995	Brussing	D14/251
D. 391,265	2/1998	Richter	D14/253
D. 394,669	5/1998	Becker et al.	D16/242
D. 406,592	3/1999	Richter	D14/253
2,519,746	8/1950	Hart et al.	379/455 X
2,784,261	3/1957	Anklesaria	379/455
4,842,174	6/1989	Sheppard et al.	379/454
5,187,744	2/1993	Richter	379/449
5,392,350	2/1995	Swanson	379/446

The patterned surface treatment schematically depicted throughout the views is continuous about the surfaces on which it is shown. The neck is shown broken away and connected by broken lines to indicate an indeterminate length. The broken line showing of a tubular member is for illustrative purposes only and forms no part of the claimed design.

1 Claim, 6 Drawing Sheets



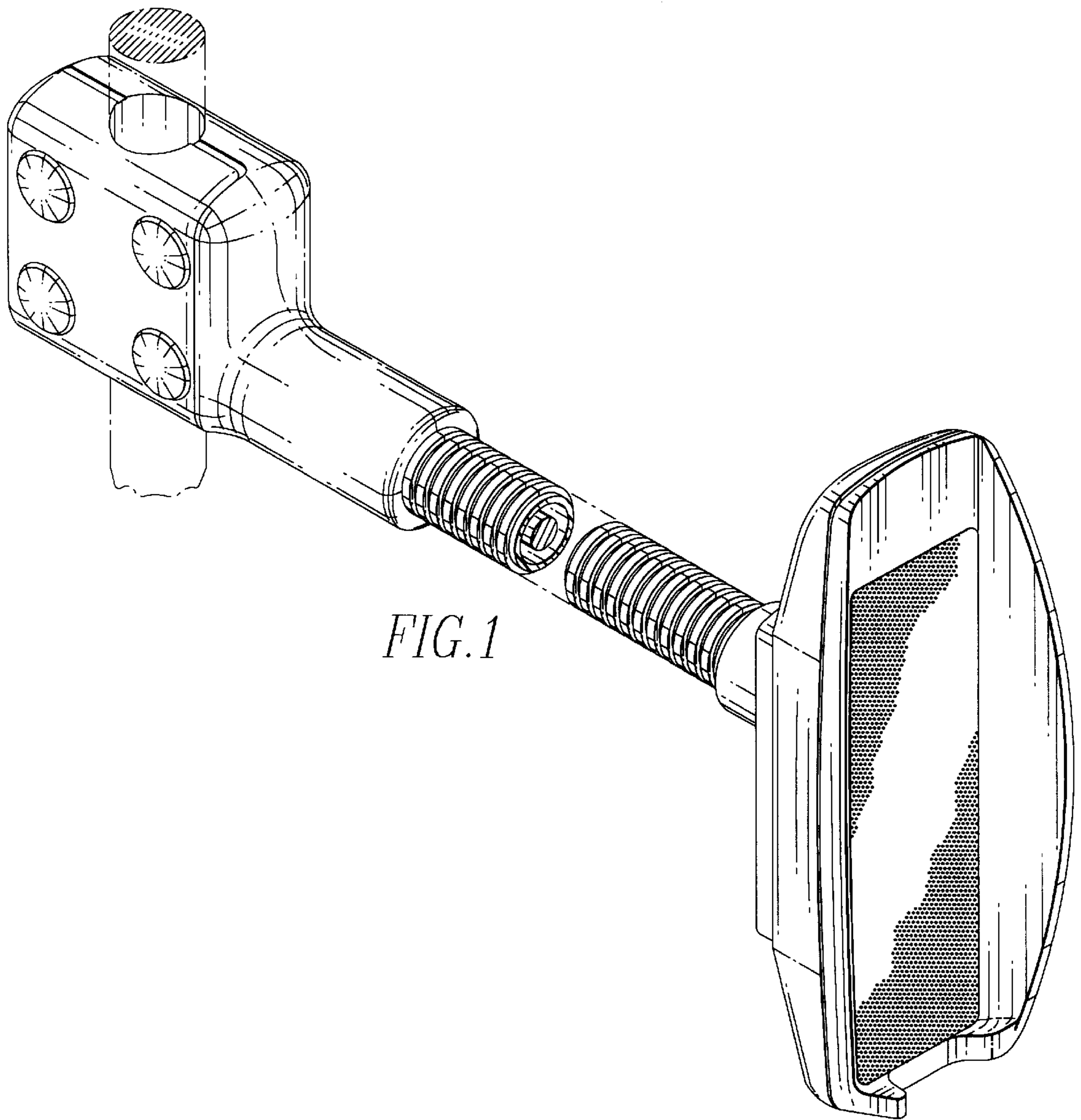


FIG. 1

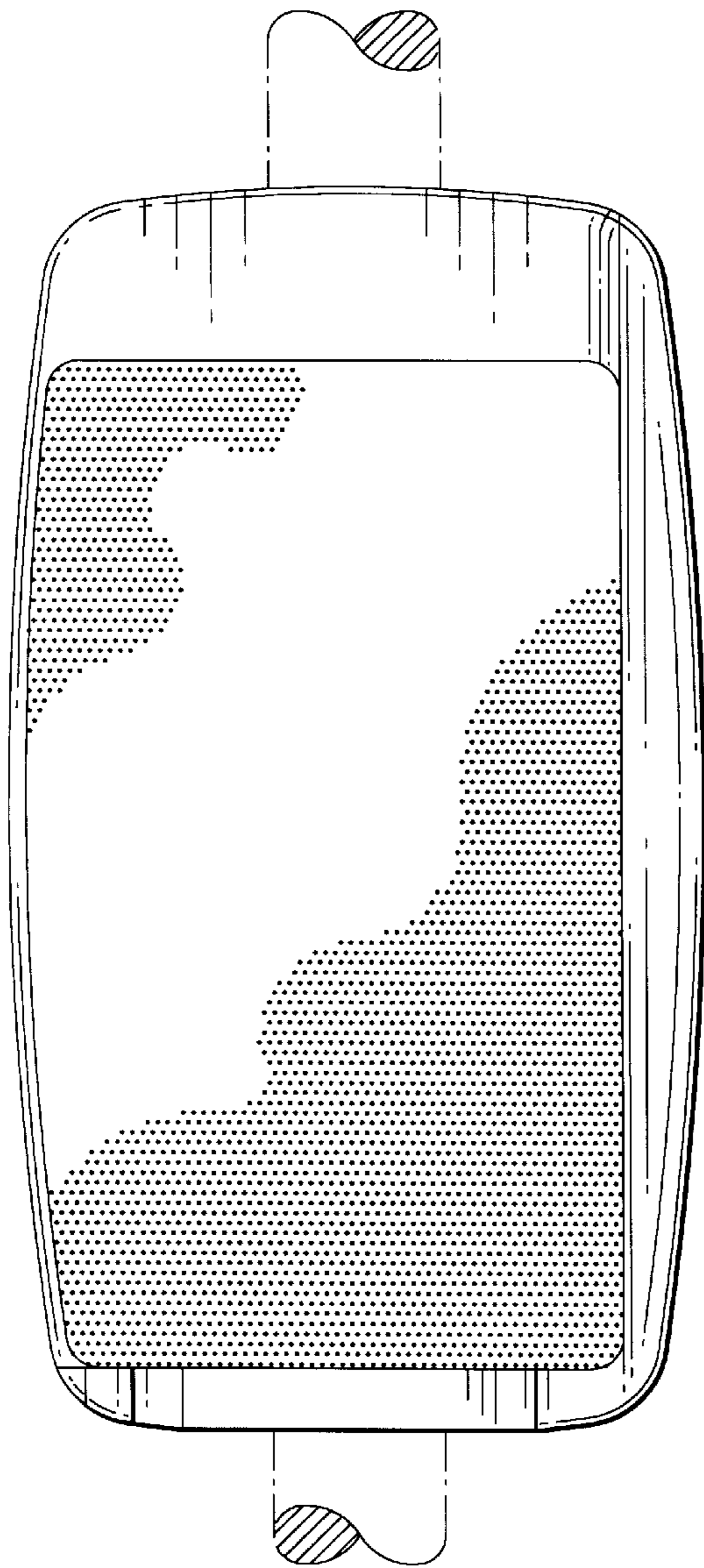


FIG. 2

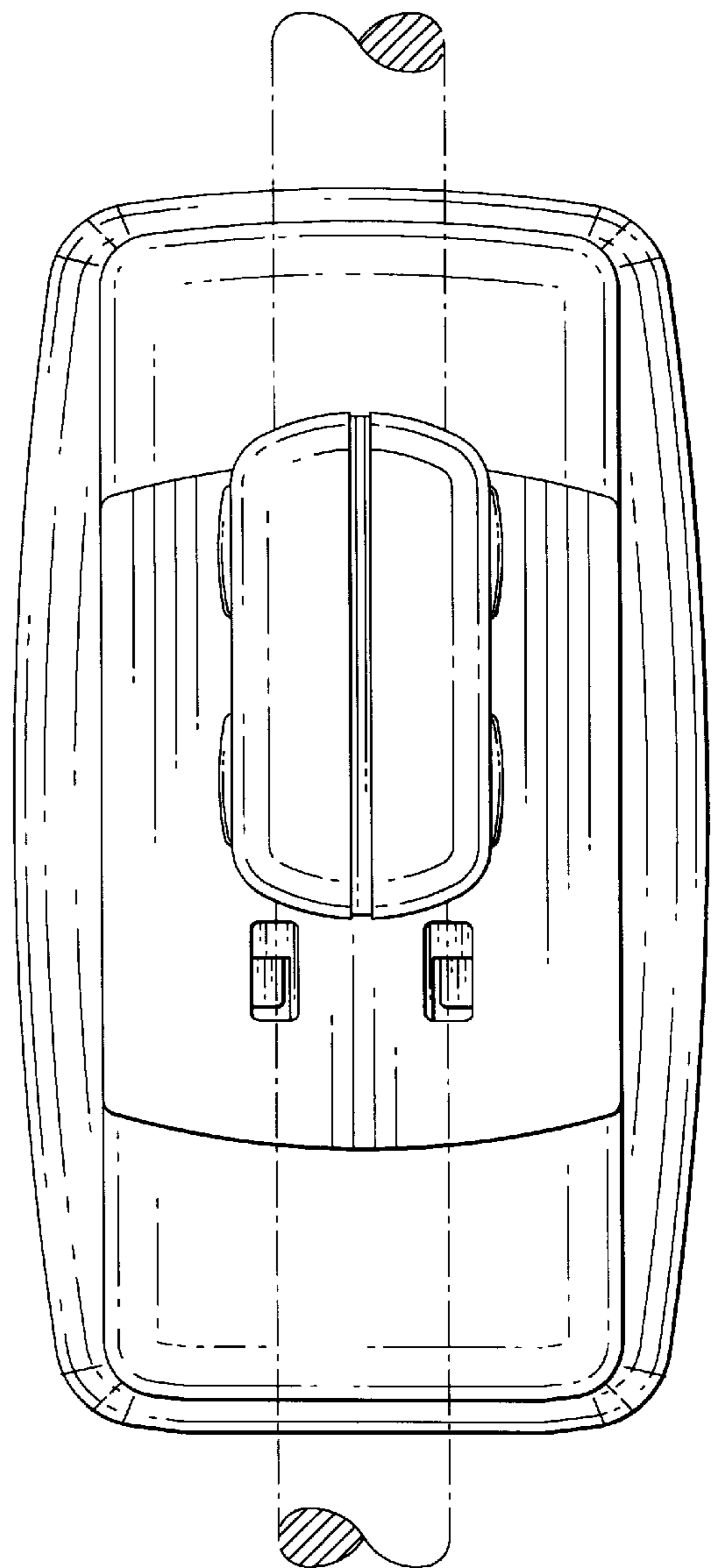


FIG. 3

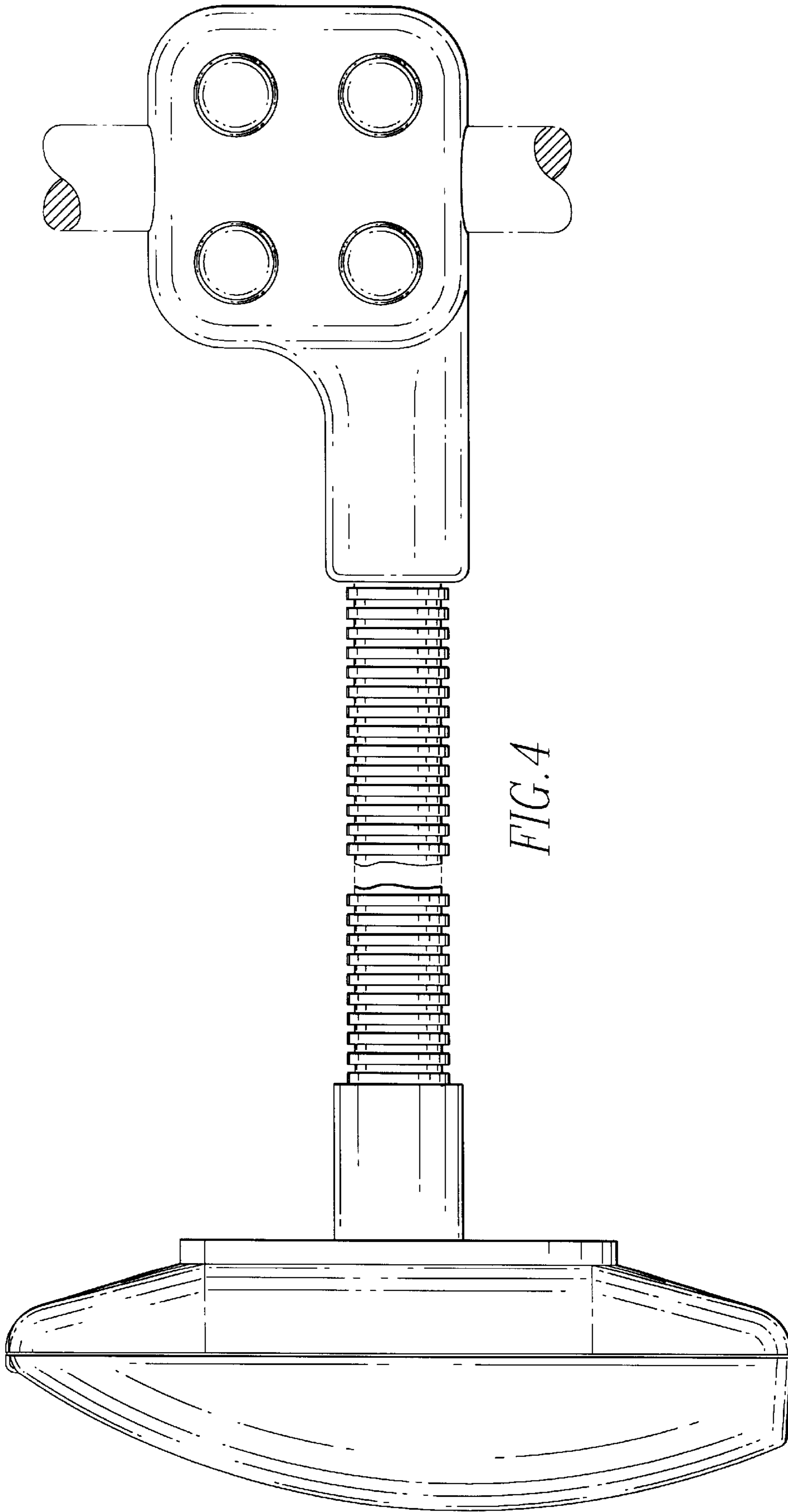


FIG. 4

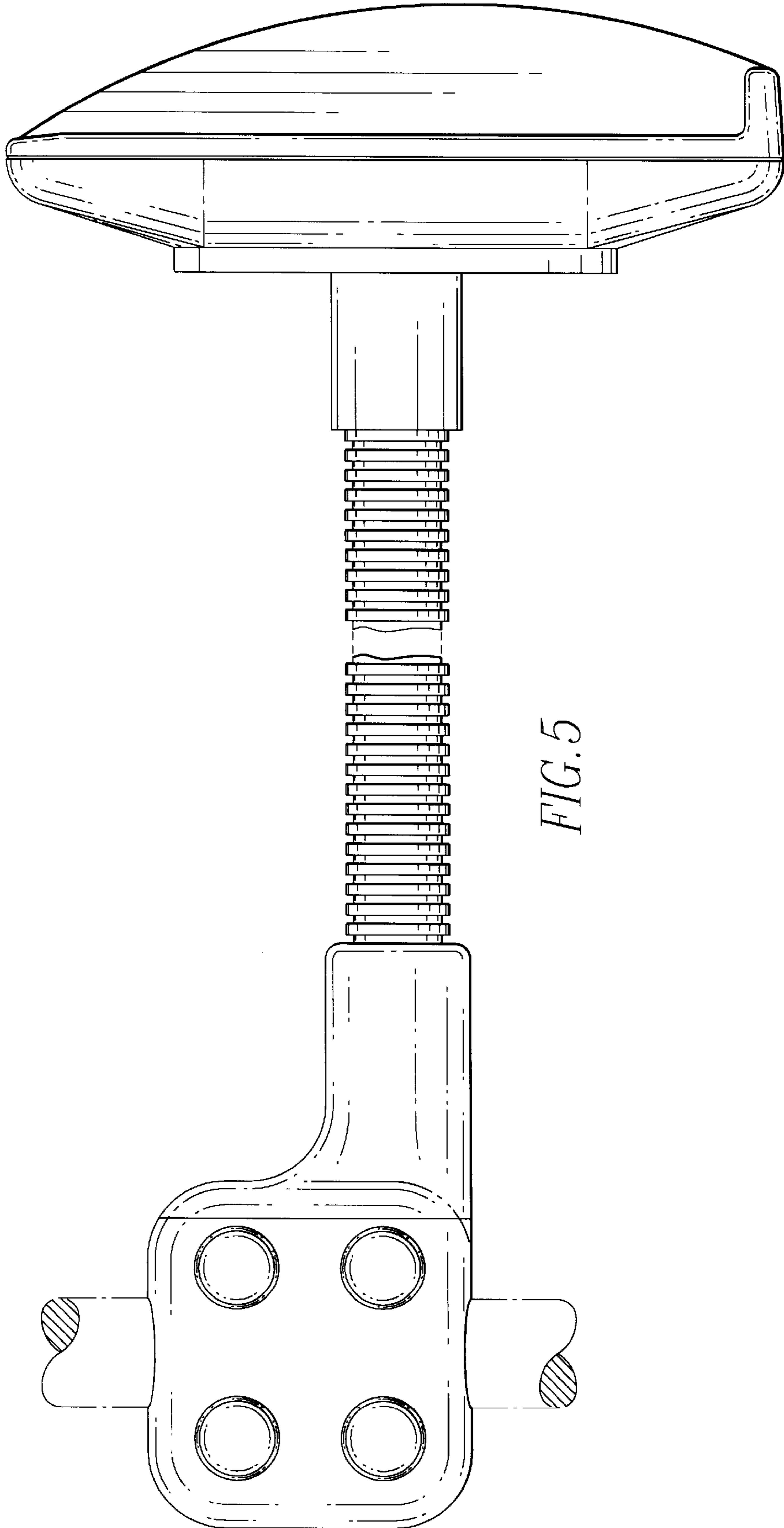


FIG. 5

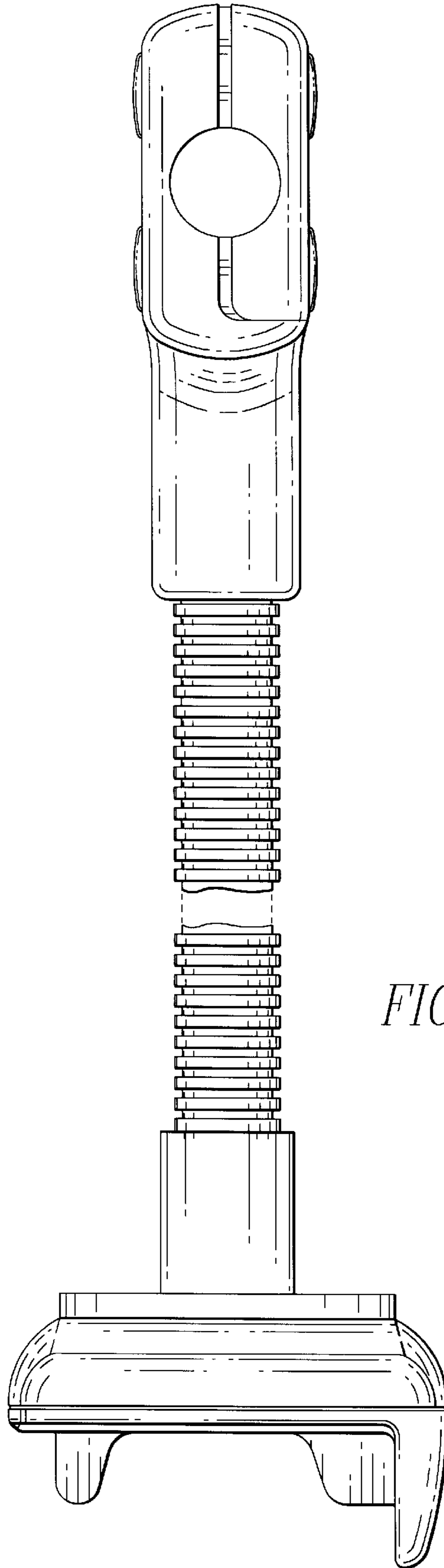


FIG. 6

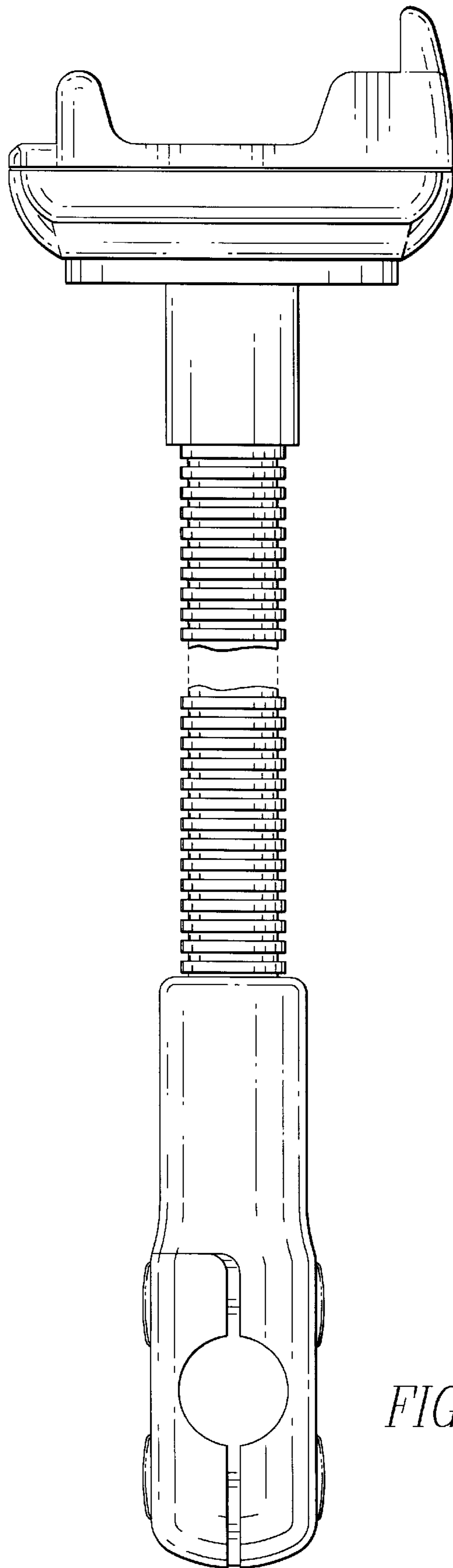


FIG. 7