



US00D411543S

# United States Patent [19] Richter

[11] **Patent Number: Des. 411,543**  
[45] **Date of Patent: \*\* Jun. 29, 1999**

[54] **TELEPHONE HOLDER WITH MOUNT**

[76] Inventor: **Herbert Richter**, Drosselweg 8, 75331  
Engelbrand, Germany

[\*\*] Term: **14 Years**

[21] Appl. No.: **29/097,137**

[22] Filed: **Nov. 27, 1998**

[51] **LOC (6) Cl. .... 14-03**

[52] **U.S. Cl. .... D14/253**

[58] **Field of Search** ..... D14/137, 138,  
D14/148, 147, 149-151, 140-142, 240,  
241, 251, 253; 379/433-436, 419, 420,  
428, 440, 454, 455, 446, 447; D13/107,  
108; 320/110, 113, 114, 115; 224/539, 540,  
926, 929; D12/415, 419, 423, 424; D7/388,  
392.1; D8/354, 349, 373, 395, 396, 71;  
D16/242

### [56] **References Cited**

#### **U.S. PATENT DOCUMENTS**

D. 271,542	11/1983	Rockwell	.....	D12/419
D. 372,189	7/1996	Andis et al.	.....	D8/373
D. 379,463	5/1997	Richter	.....	D14/253
D. 390,849	2/1998	Richter et al.	.....	D14/253
D. 391,266	2/1998	Richter	.....	D14/253
D. 405,453	2/1999	Richter	.....	D14/253
4,143,800	3/1979	McCaffrey	.....	224/540
5,174,534	12/1992	Mitchell	.....	D12/419 X
5,305,381	4/1994	Wang et al.	.....	379/455

5,555,302	9/1996	Wang	.....	379/446
5,659,612	8/1997	Wang	.....	379/446
5,694,468	12/1997	Hsu	.....	379/446
5,788,202	8/1998	Richter	.....	379/446 X
5,836,563	11/1998	Hsin-Yung	.....	379/454 X

*Primary Examiner*—Jeffrey Asch  
*Attorney, Agent, or Firm*—Klaus J. Bach

### [57] **CLAIM**

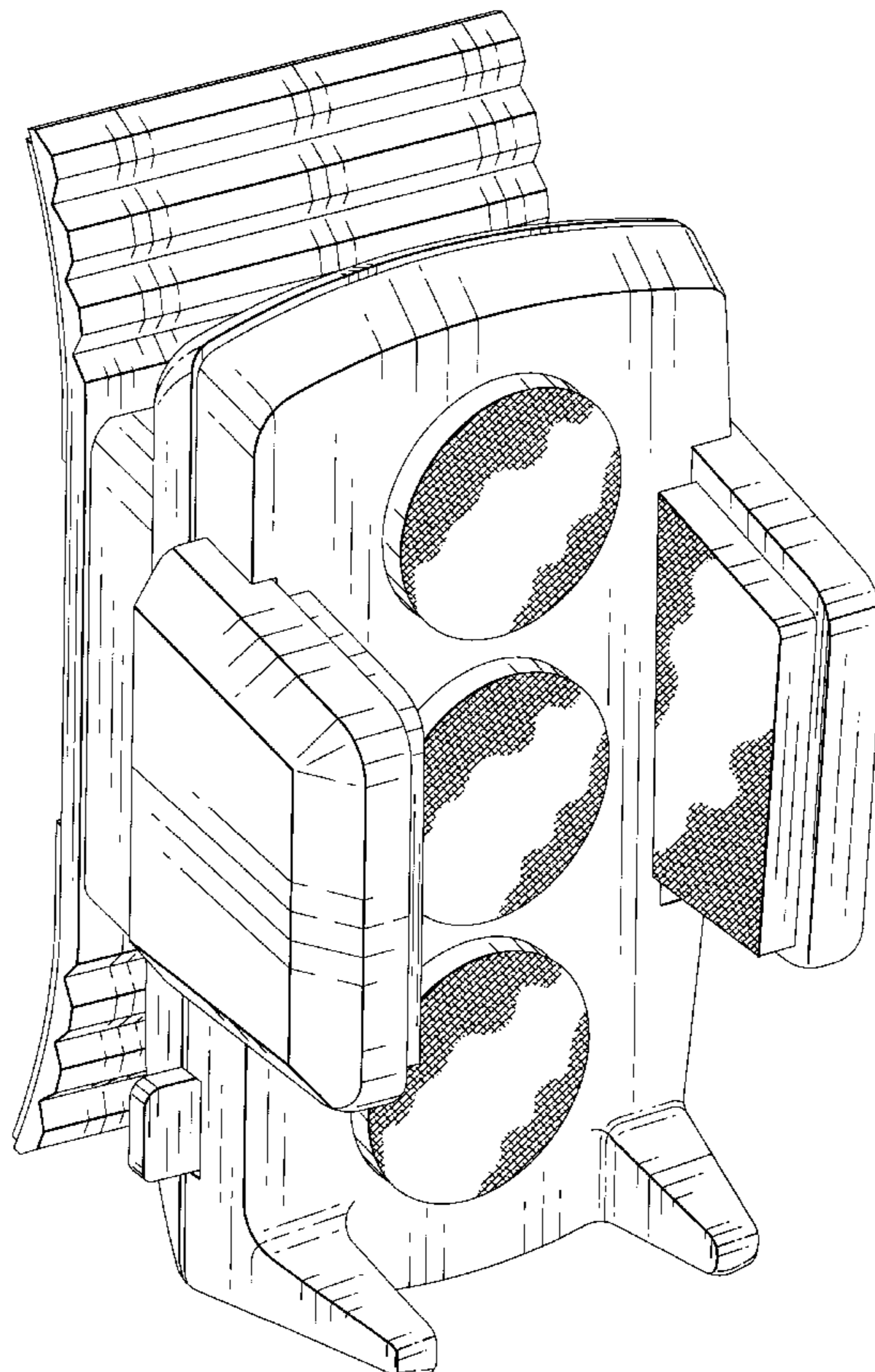
The ornamental design for a telephone holder with mount, as shown and described.

### **DESCRIPTION**

FIG. 1 is a perspective view of the telephone holder with mount;  
FIG. 2 is a top view of the telephone holder with mount shown in FIG. 1;  
FIG. 3 is a right side view of the telephone holder with mount shown in FIG. 2;  
FIG. 4 is a bottom view of the telephone holder with mount shown in FIG. 2;  
FIG. 5 is a left side view of the telephone holder with mount shown in FIG. 2;  
FIG. 6 is a rear end of the telephone holder with mount shown in FIG. 2; and,  
FIG. 7 is a front end of the telephone holder with mount shown in FIG. 2.

The patterned surface treatments schematically depicted throughout the views are continuous about the surfaces on which they are shown.

**1 Claim, 6 Drawing Sheets**



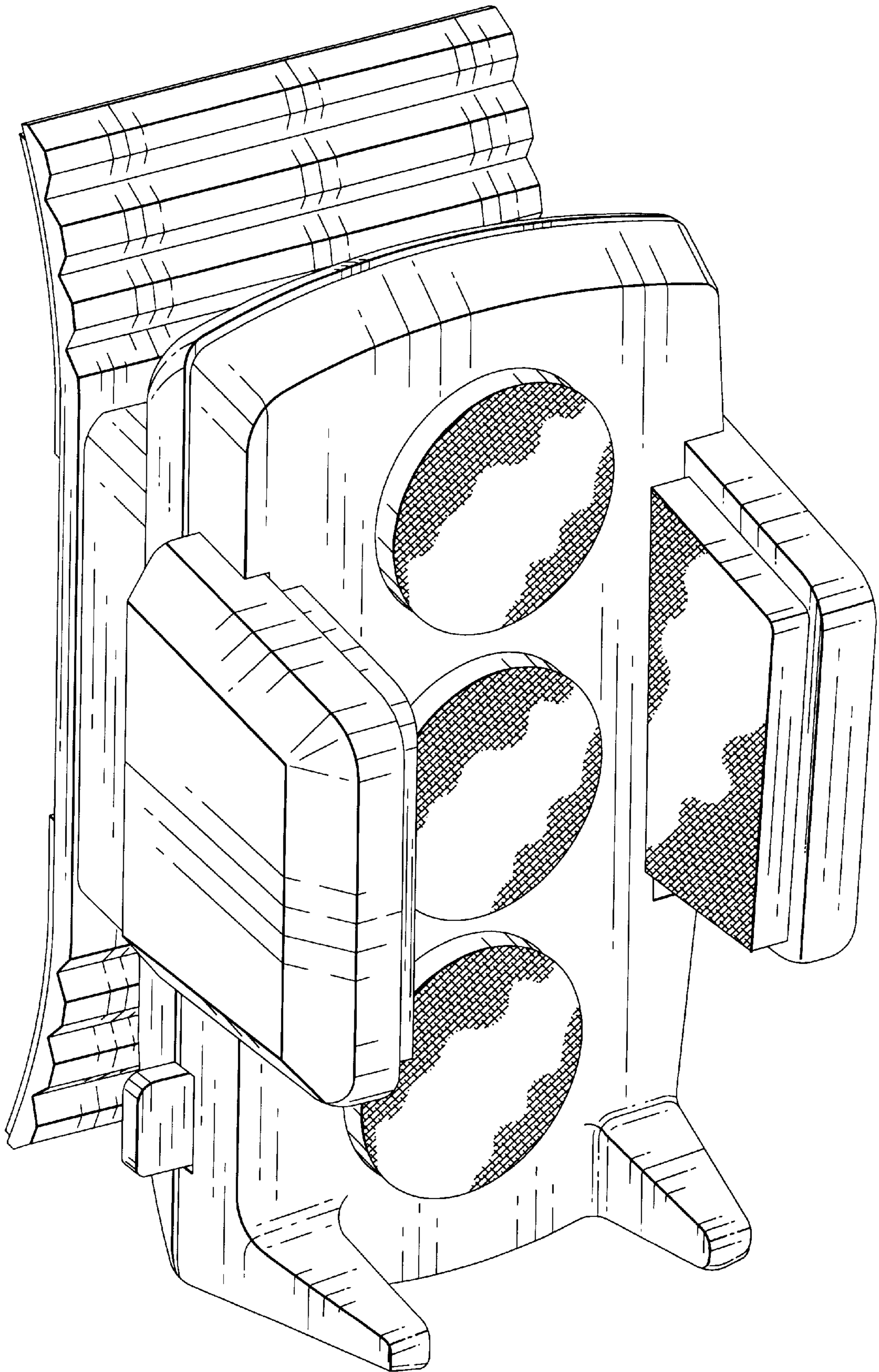


FIG. 1

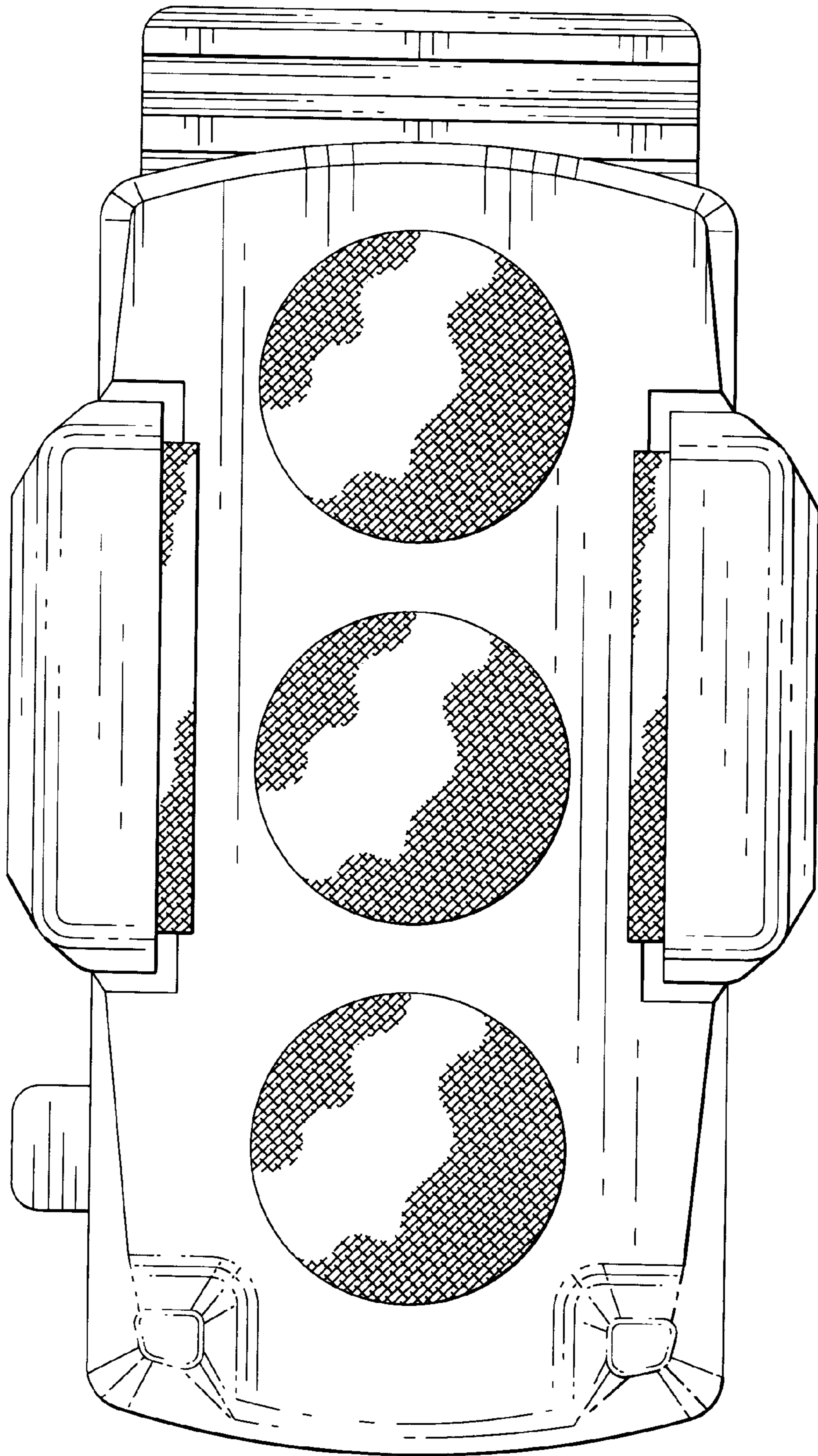


FIG. 2

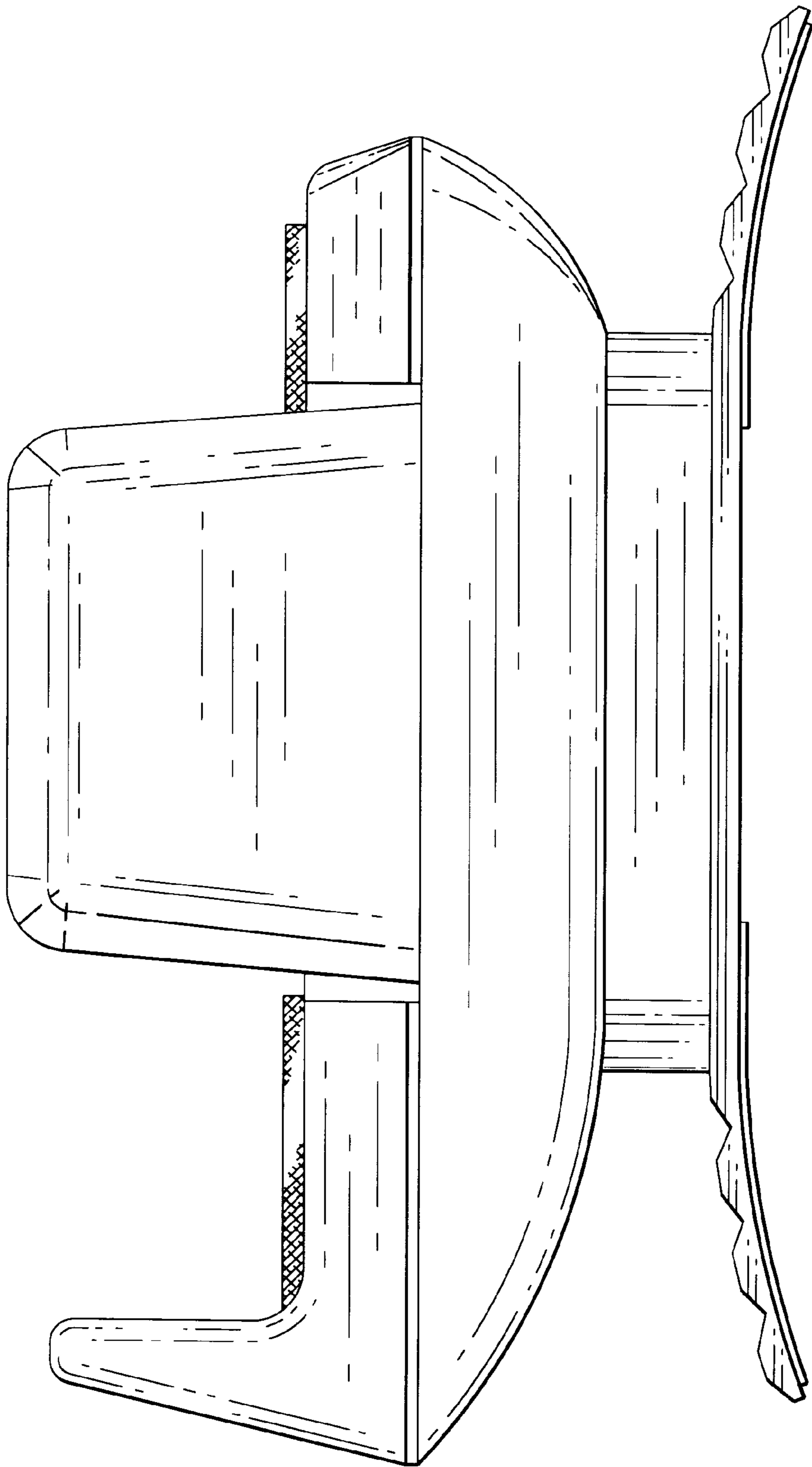


FIG. 3

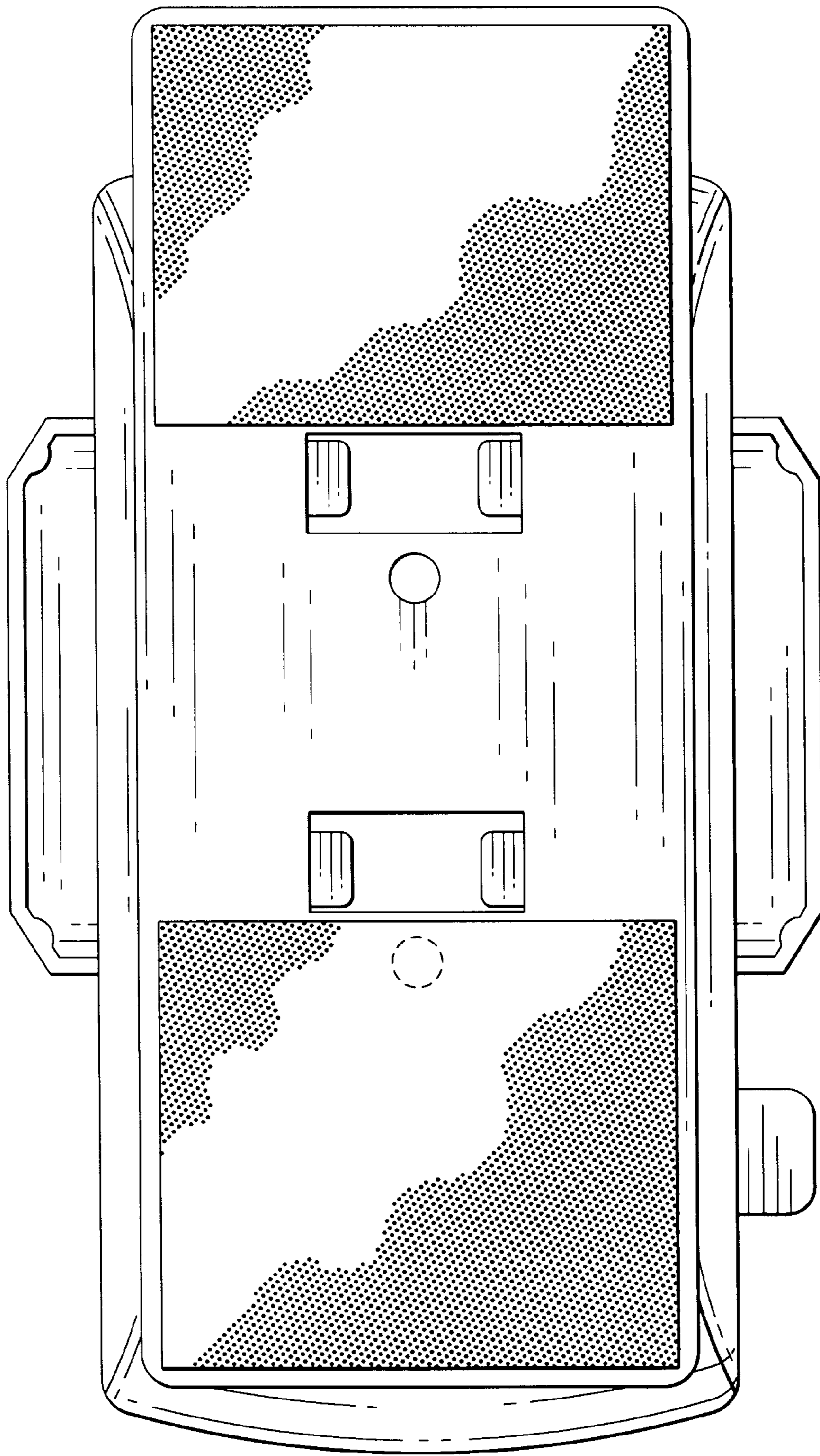


FIG. 4

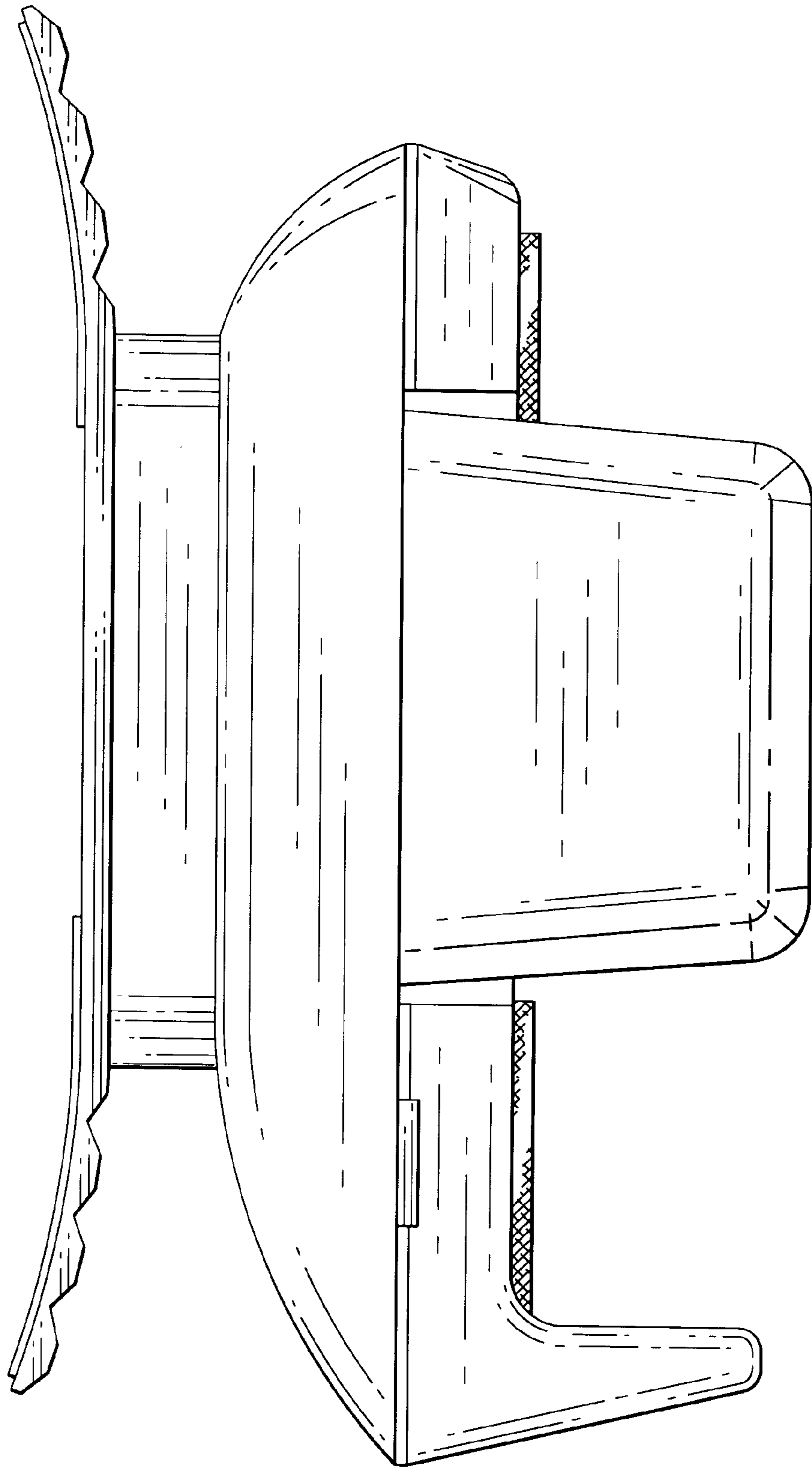


FIG. 5

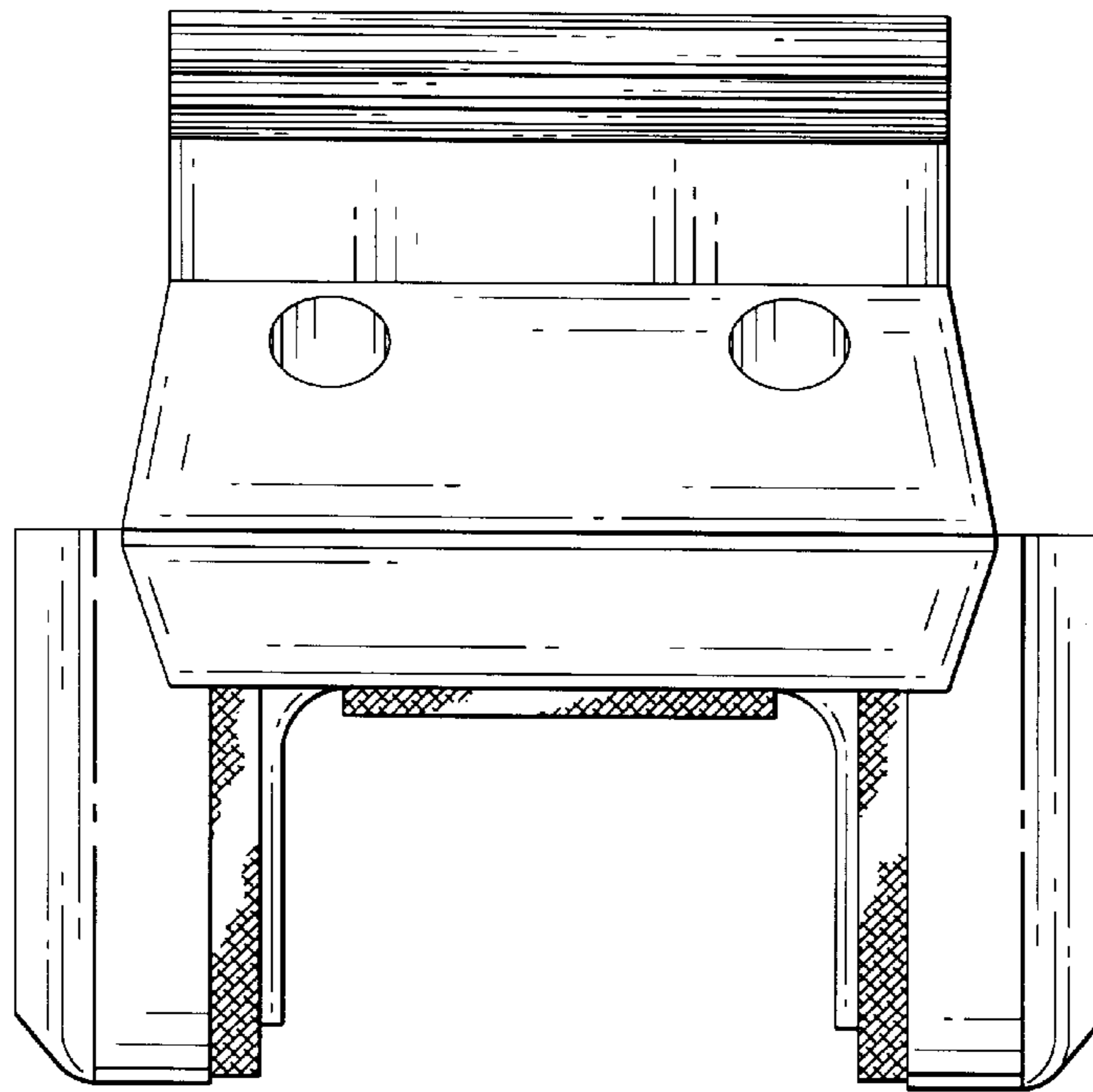


FIG. 6

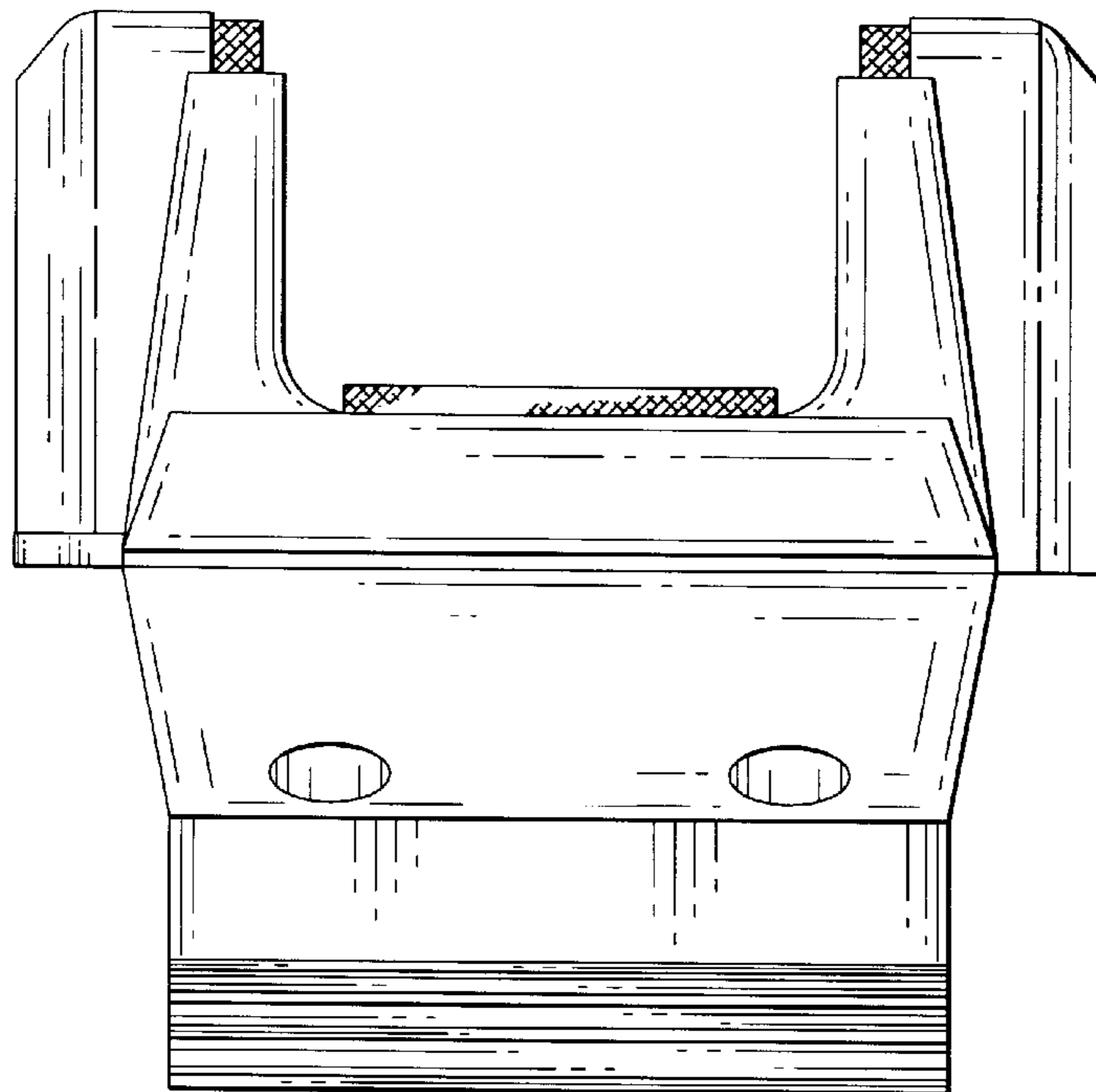


FIG. 7