



US00D411541S

United States Patent [19]
Waldron

[11] **Patent Number: Des. 411,541**
[45] **Date of Patent: ** Jun. 29, 1999**

[54] **PORTABLE MOUNT FOR SATELLITE RECEIVING ANTENNA**

[75] Inventor: **Ben D. Waldron**, Citrus Heights, Calif.

[73] Assignee: **Norma E. Trudeau**, Citrus Heights, Calif.; a part interest

[**] Term: **14 Years**

[21] Appl. No.: **29/092,023**

[22] Filed: **Aug. 11, 1998**

[51] **LOC (6) Cl.** **14-03**

[52] **U.S. Cl.** **D14/238**

[58] **Field of Search** D14/230-238;
343/888, 867, 885, 882, 872, 873

[56] **References Cited**

U.S. PATENT DOCUMENTS

D. 214,913	8/1969	Shorr	D14/234
D. 275,673	9/1984	Iino et al.	D14/230
1,683,270	9/1928	Taylor et al.	343/878
2,074,944	3/1937	Sjostrand	343/867

Primary Examiner—Louis S. Zarfaz
Assistant Examiner—G. Andoll

Attorney, Agent, or Firm—Lothrop & West

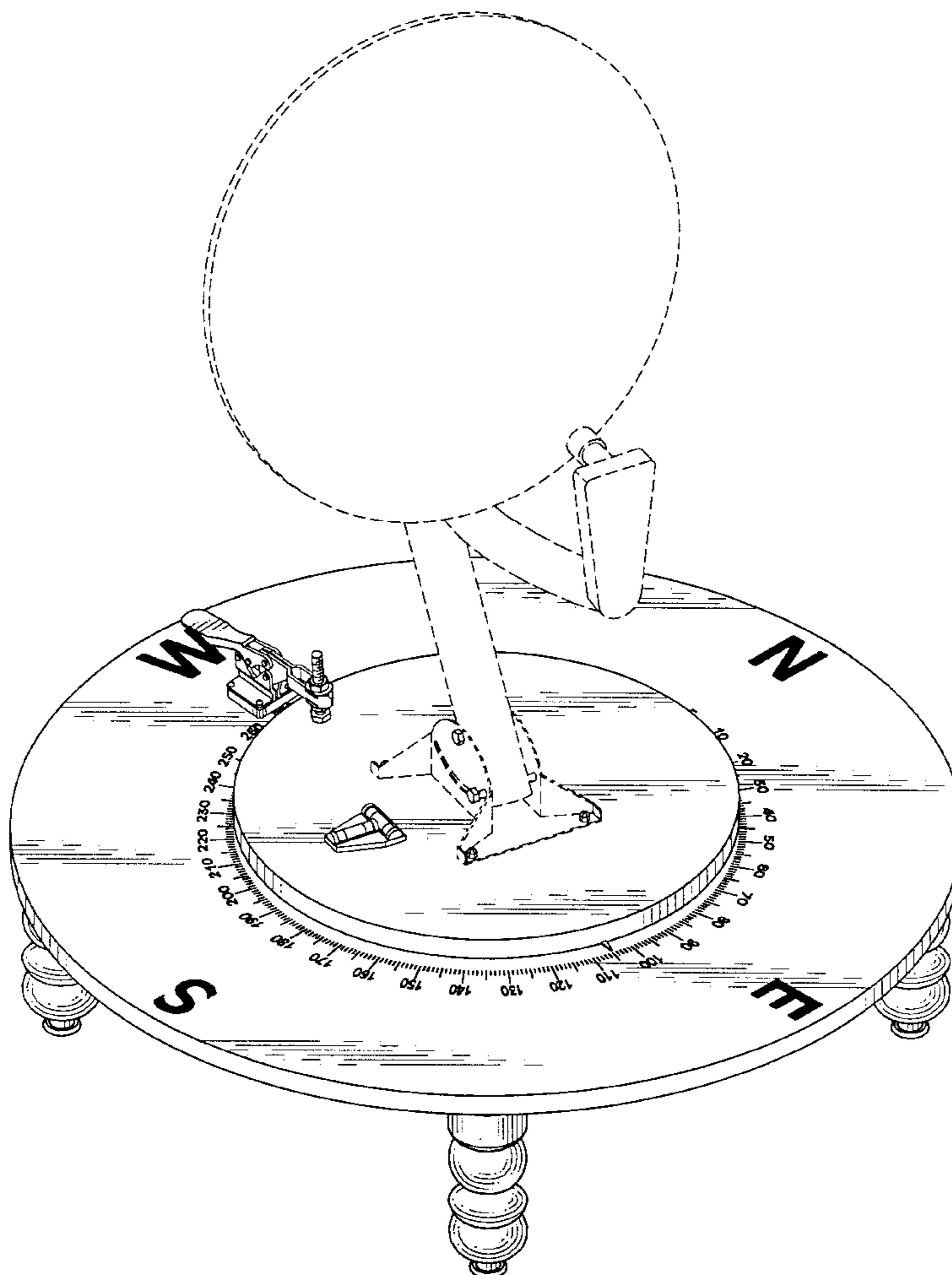
[57] **CLAIM**

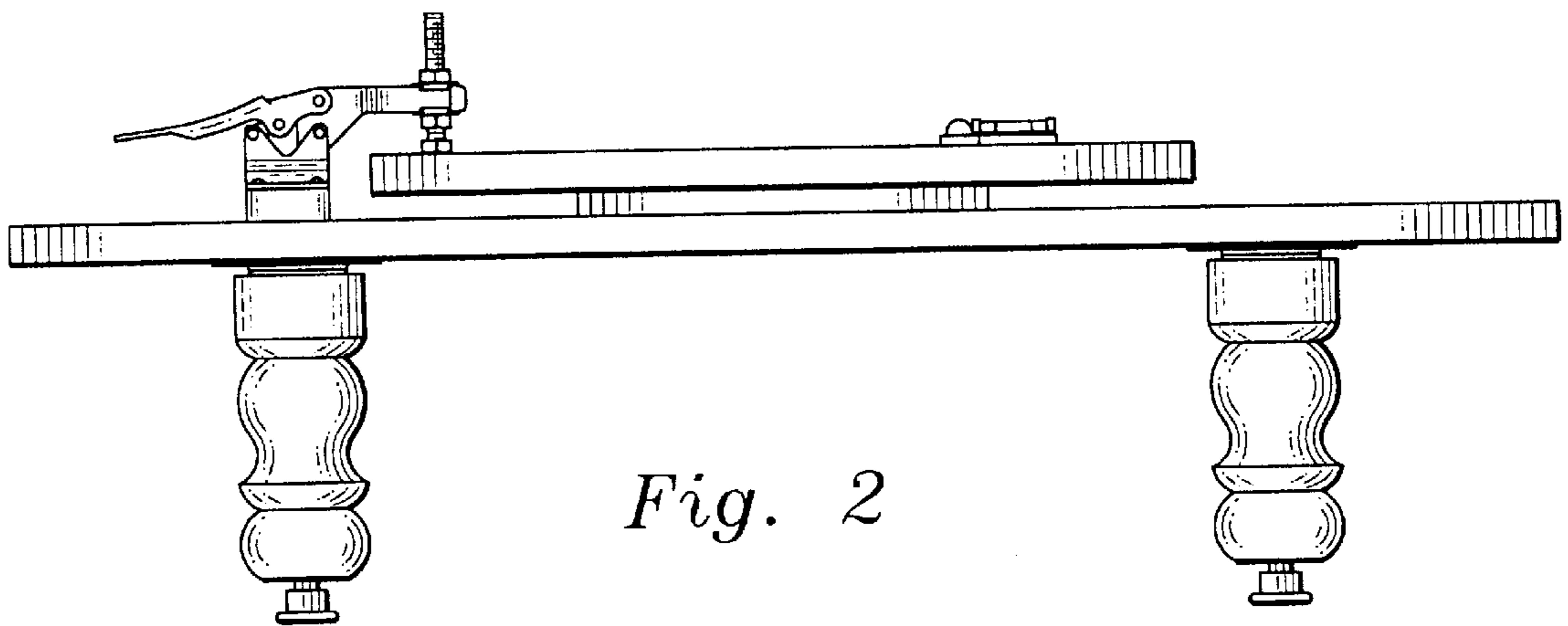
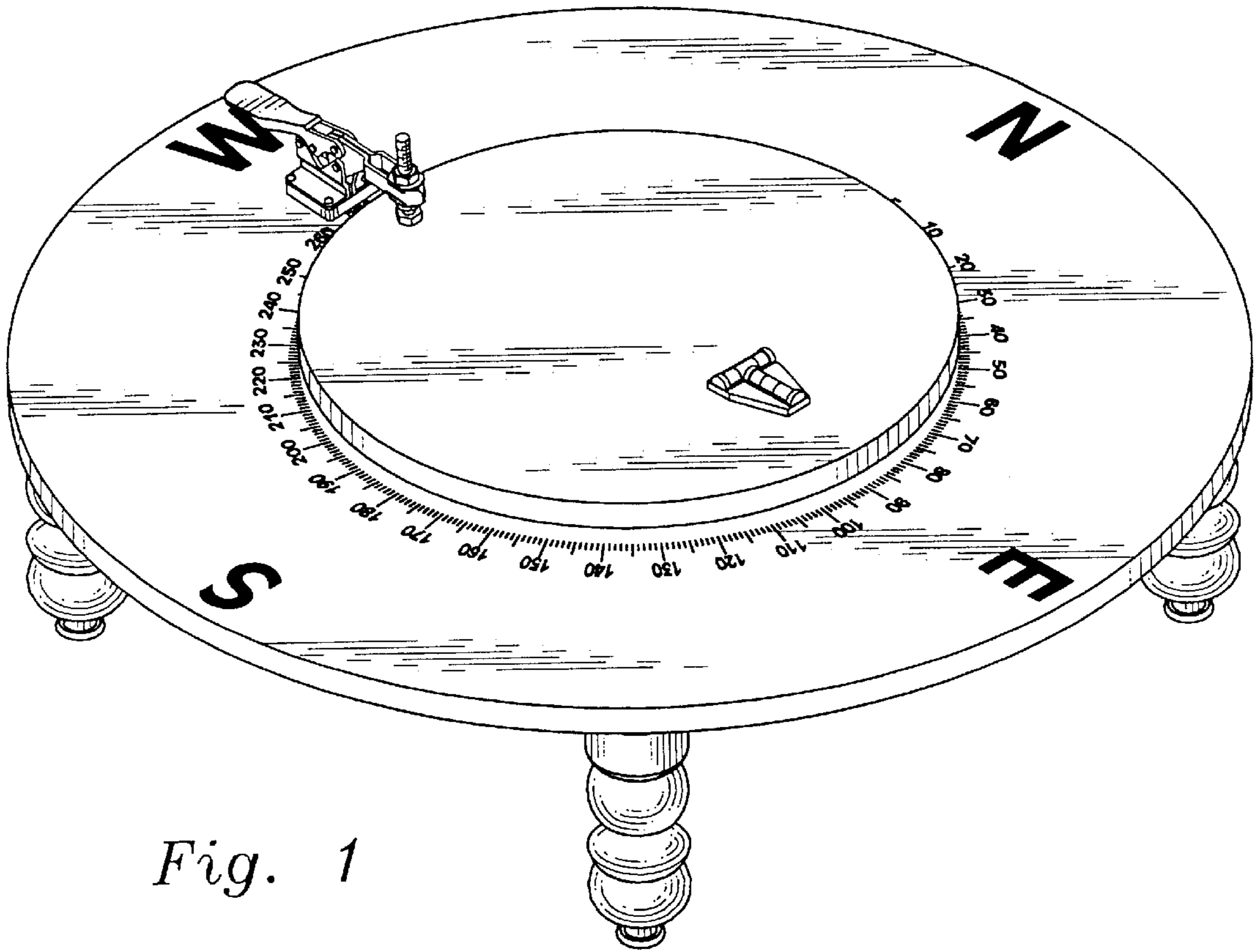
The ornamental design for a portable mount for satellite receiving antenna, as shown and described.

DESCRIPTION

FIG. 1 is a perspective view of a portable mount for satellite receiving antenna, showing my new design;
FIG. 2 is an elevational view taken from the front of the article as shown in FIG. 3;
FIG. 3 is a top plan view, thereof;
FIG. 4 is an elevational view taken from the left hand side of the article as shown in FIG. 3;
FIG. 5 is a bottom plan view, thereof;
FIG. 6 is an elevational view taken from the right hand side of the article as shown in FIG. 3;
FIG. 7 is an elevational view taken from the rear of the article as shown in FIG. 3; and,
FIG. 8 is a perspective view as in FIG. 1 but with the turntable rotated to a heading of 105°, the broken line representation of the satellite receiving antenna being included solely for illustrative purposes, forming no part of the claimed design.

1 Claim, 4 Drawing Sheets





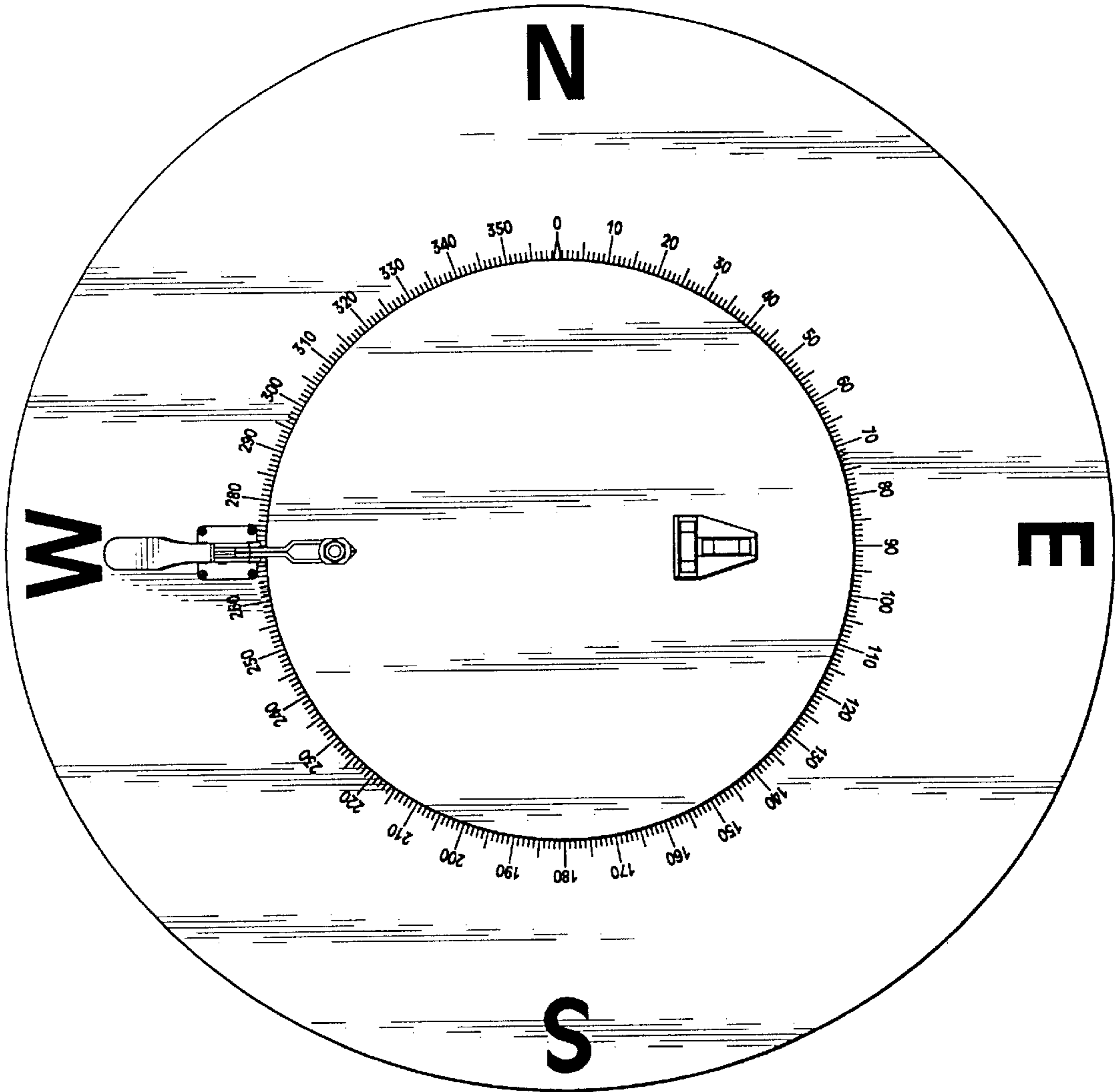


Fig. 3

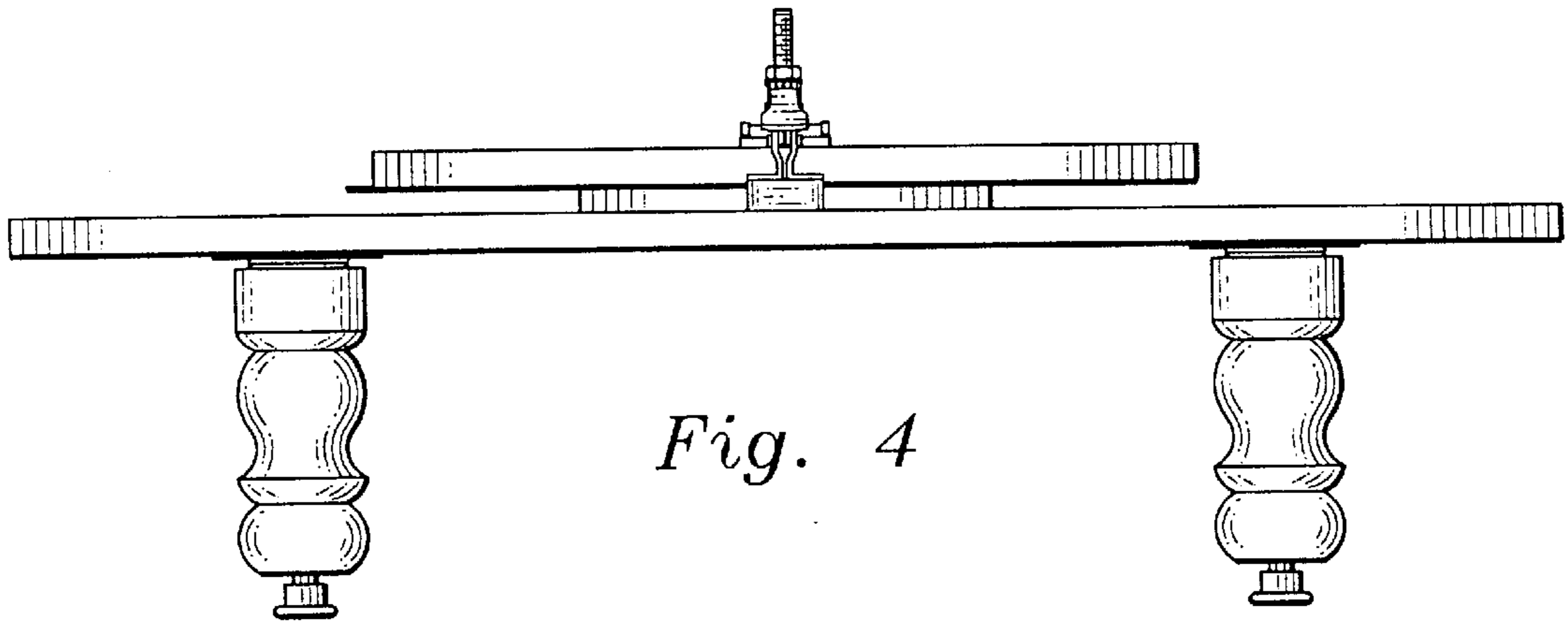


Fig. 4

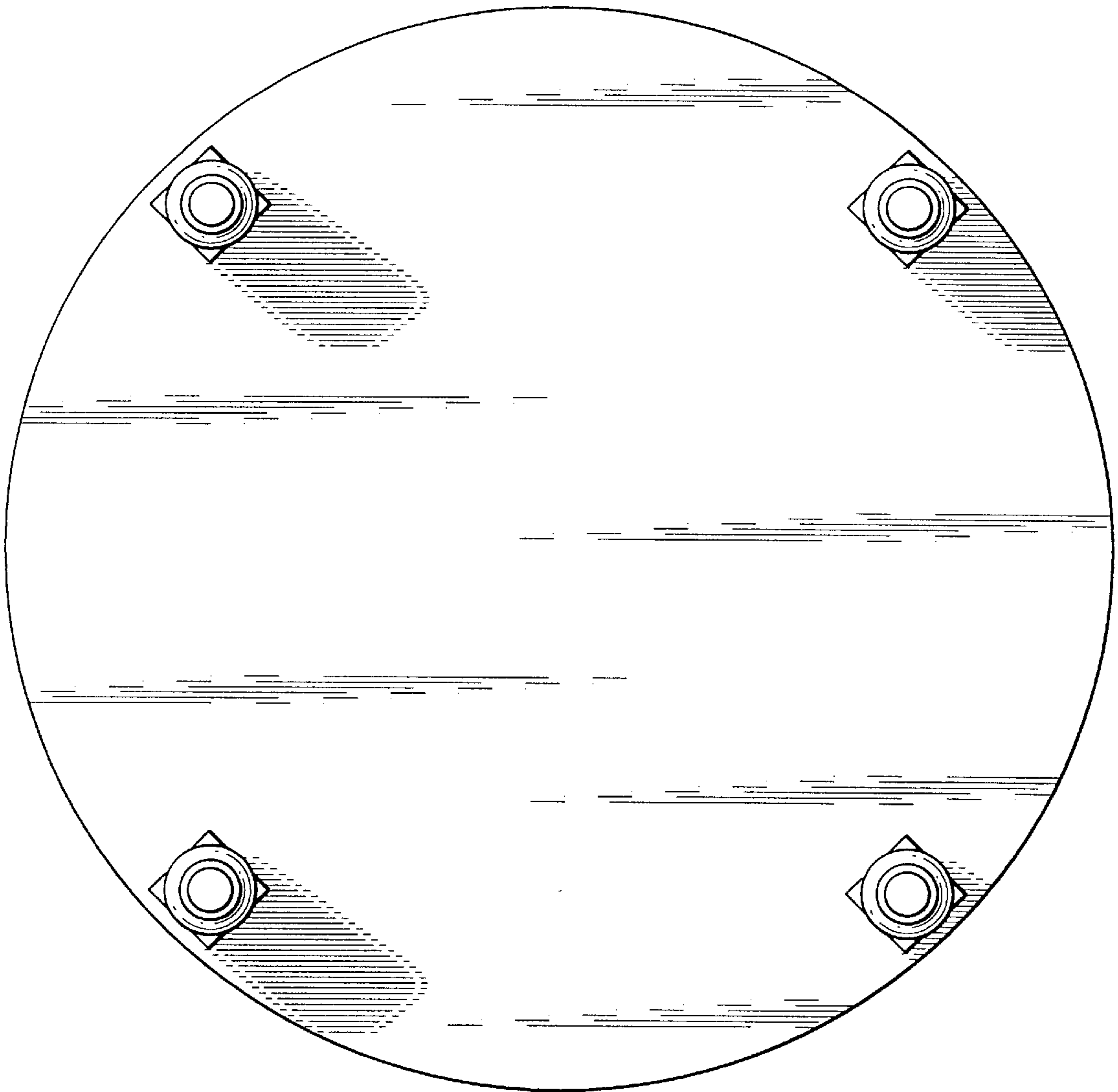


Fig. 5

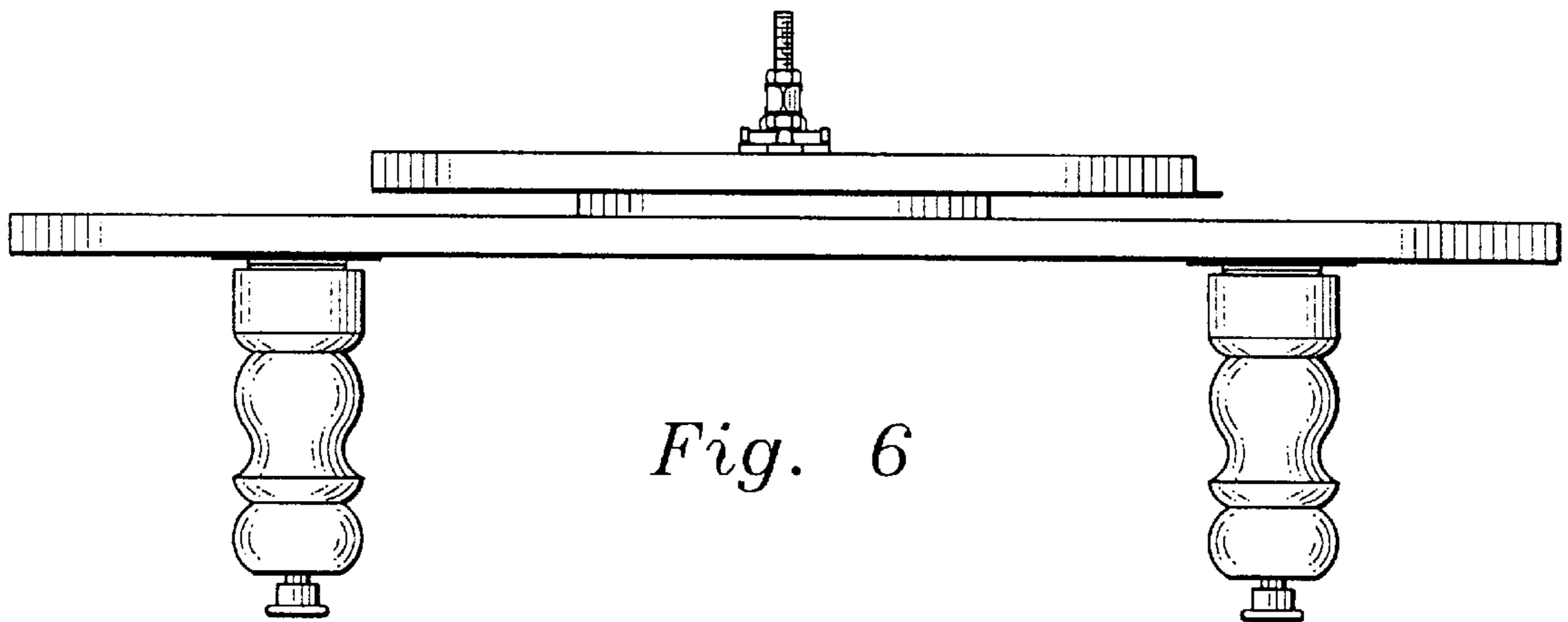


Fig. 6

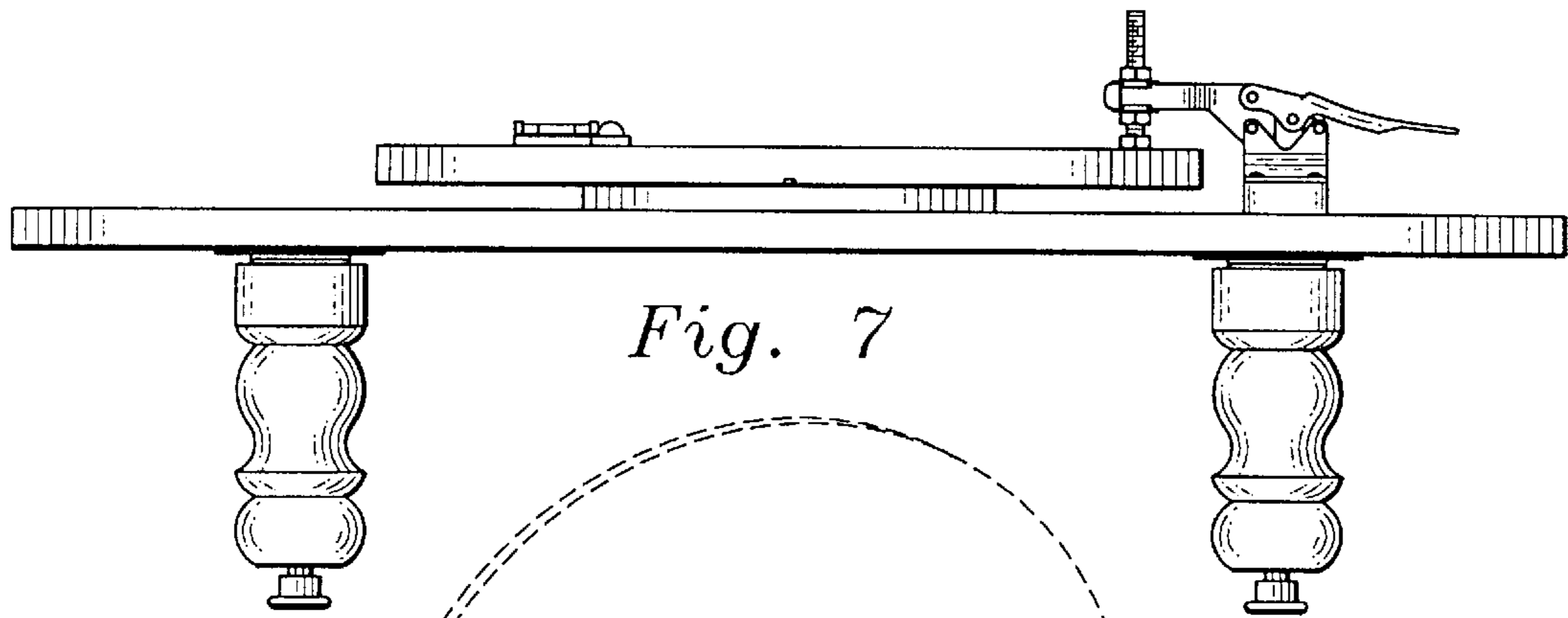


Fig. 7

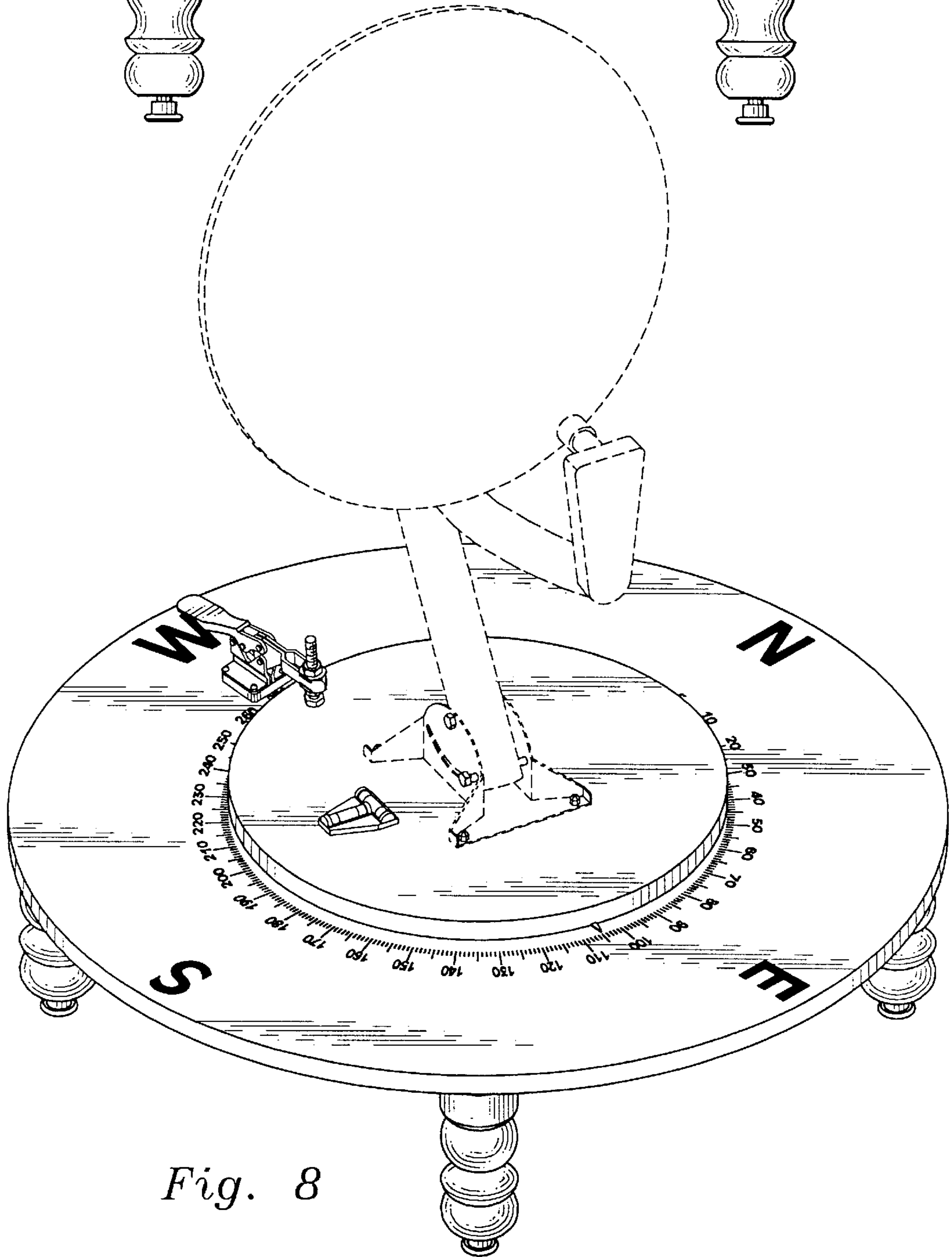


Fig. 8