



US00D411540S

**United States Patent** [19]  
**Mavrakis et al.**

[11] **Patent Number: Des. 411,540**  
[45] **Date of Patent: \*\* Jun. 29, 1999**

[54] **COMMUNICATIONS EARPIECE**

[75] Inventors: **Patrick A. Mavrakis**, Newark; **David L. Luger**, Foster City; **Steven H. Puthuff**, Saratoga; **David Q. Dobras**, San Francisco, all of Calif.

[73] Assignee: **ReSound Corporation**, Redwood City, Calif.

[\*\*] Term: **14 Years**

[21] Appl. No.: **29/091,179**

[22] Filed: **Jul. 23, 1998**

[51] **LOC (6) Cl.** ..... **14-01**

[52] **U.S. Cl.** ..... **D14/223**

[58] **Field of Search** ..... D14/137-138,  
D14/147, 205, 206, 223, 224; 181/129,  
130; 379/430, 431; 381/25, 68, 69, 151,  
183, 187

[56] **References Cited**

**U.S. PATENT DOCUMENTS**

- D. 226,273 2/1973 Tyson et al. .... D14/206
- D. 371,133 6/1996 Andrea ..... D14/226 X
- 4,118,606 10/1978 Larkin ..... D14/223 X

*Primary Examiner*—Ted Shooman  
*Assistant Examiner*—Nanda Bondade  
*Attorney, Agent, or Firm*—Burns, Doane, Swecker & Mathis, LLP

[57] **CLAIM**

The ornamental design for a communications earpiece, as shown and described.

**DESCRIPTION**

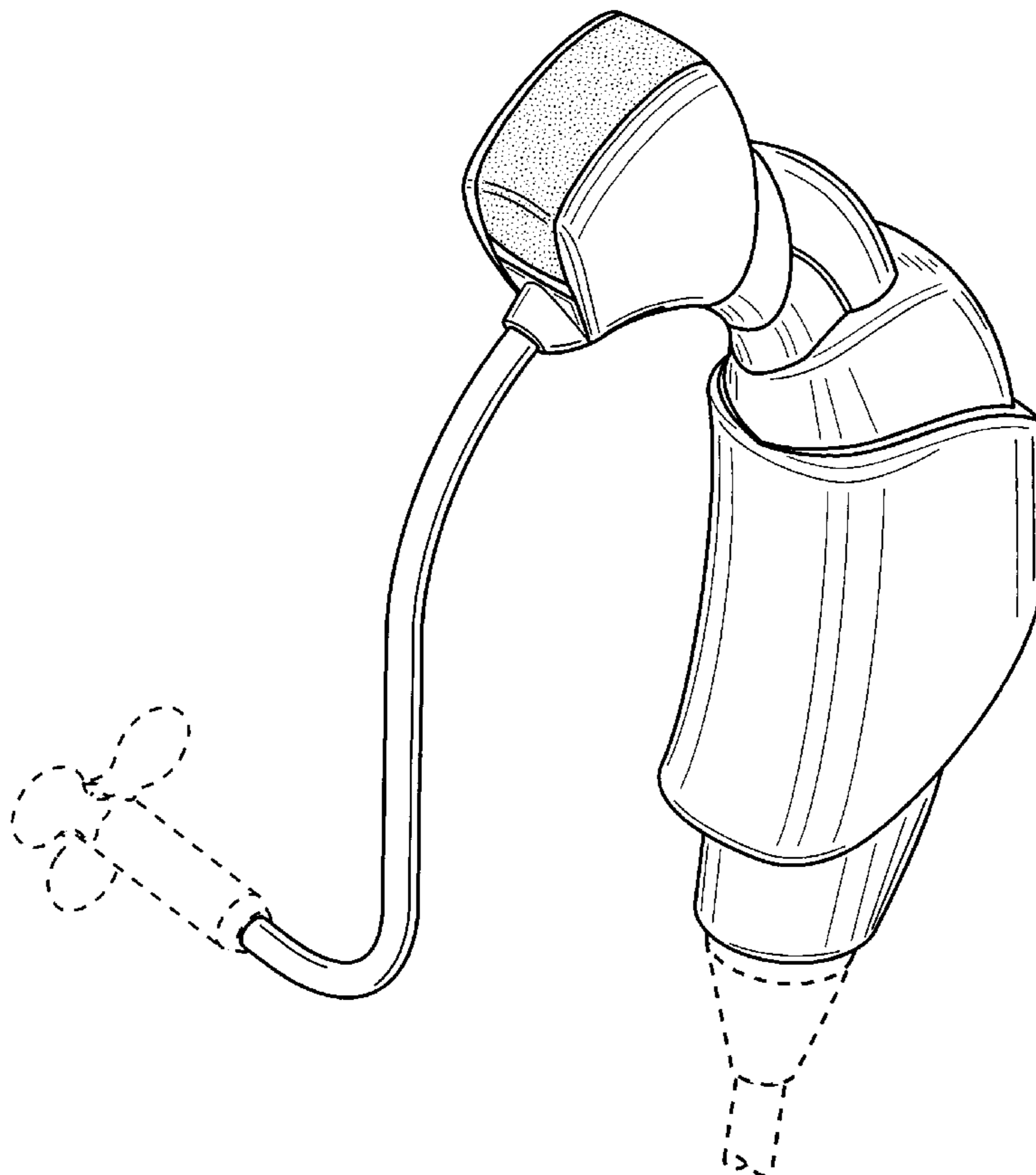
FIG. 1 is a perspective view of a communications earpiece showing our new design;  
FIG. 2 is a front view thereof;  
FIG. 3 is a left side view thereof;  
FIG. 4 is a back view thereof;  
FIG. 5 is a right side view thereof;  
FIG. 6 is a top view thereof;  
FIG. 7 is a bottom view thereof;  
FIG. 8 is a right side view of a second embodiment of the communications earpiece; and,  
FIG. 9 is a left side view thereof.

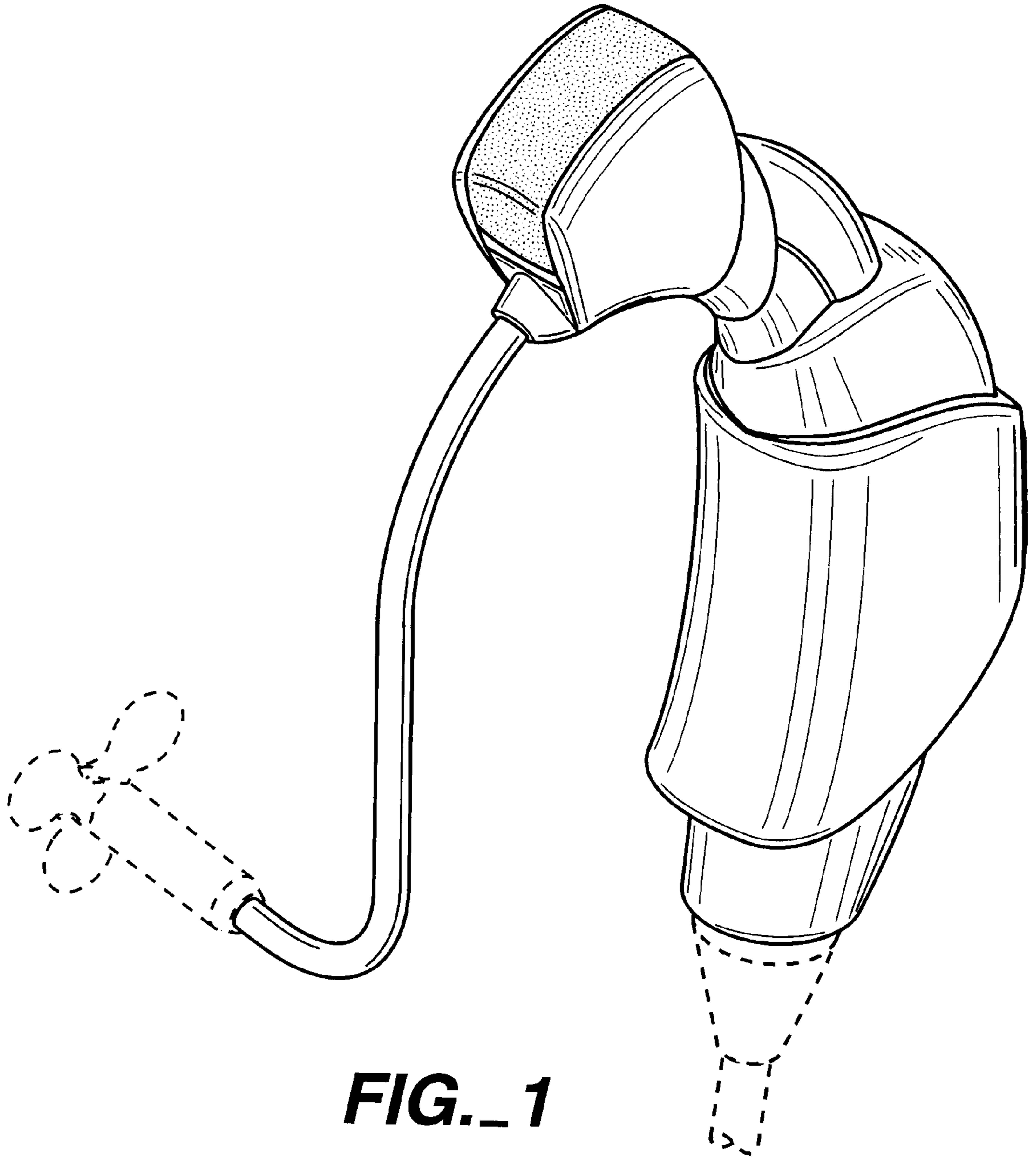
The undisclosed front, rear, top, and bottom views of the second embodiment are mirror images of the first embodiment.

The outline of the broken lines showing the cable attachment in FIGS. 2 and 7, and the broken lines showing the eartip in FIGS. 3 and 8 which define the bounds of the claimed design form no part thereof.

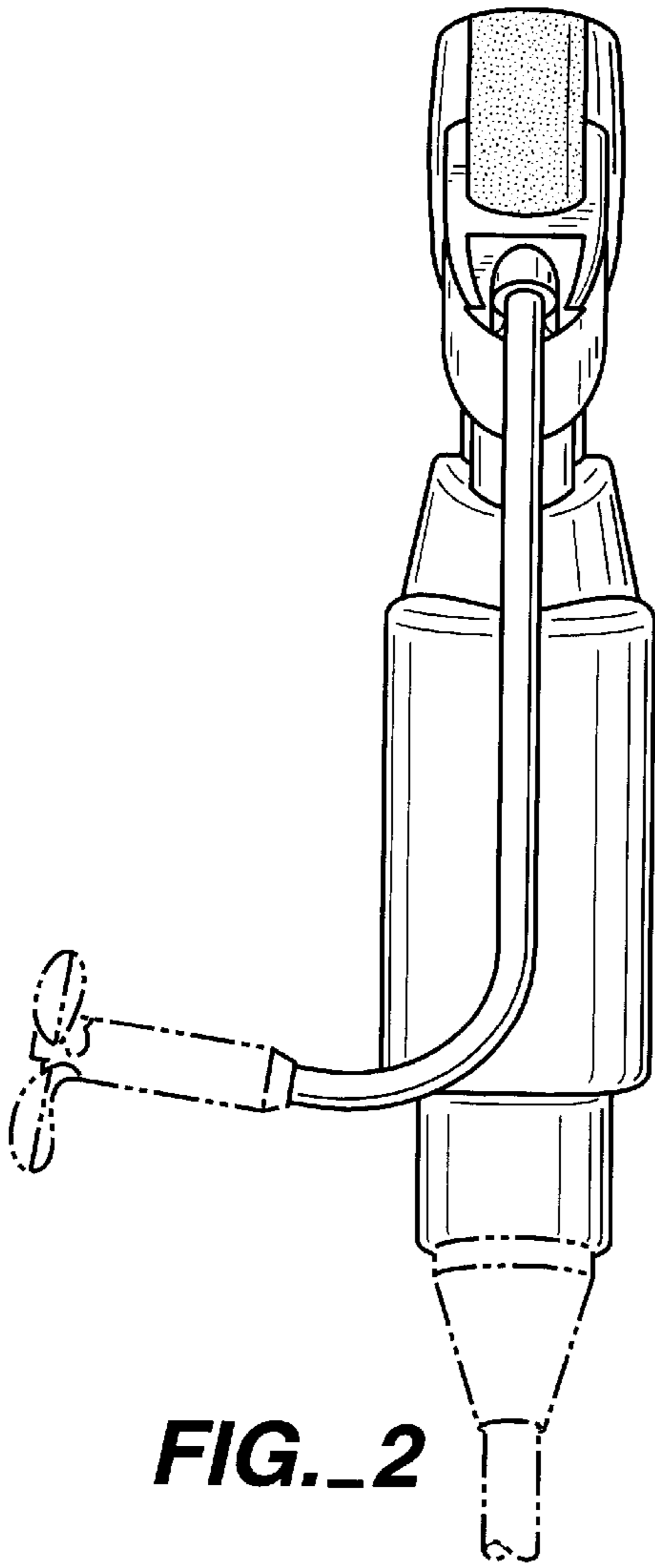
The broken lines shown in FIG. 1-9 are for illustrative purposes only and form no part of the claimed design.

**1 Claim, 4 Drawing Sheets**

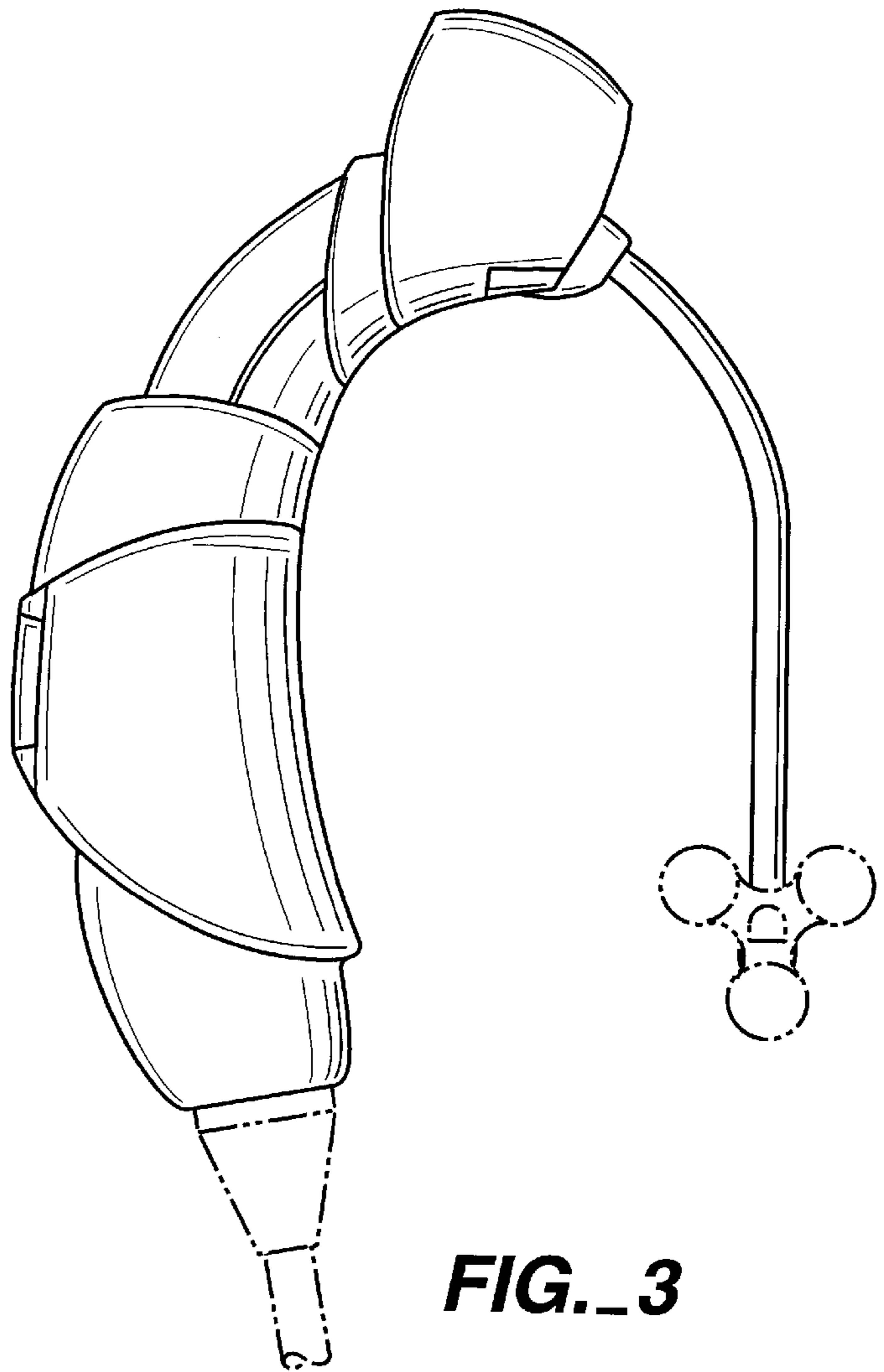




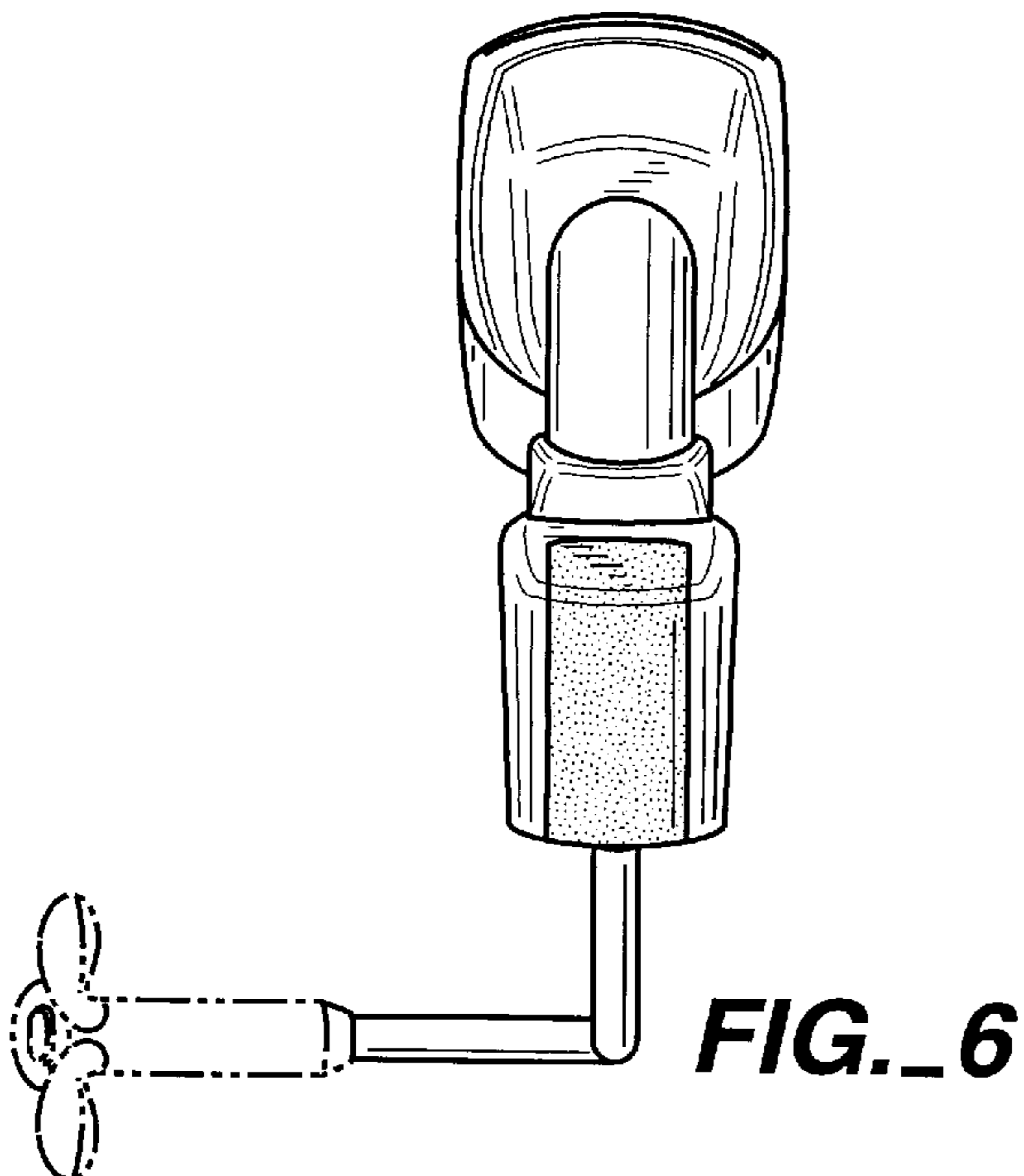
**FIG. 1**



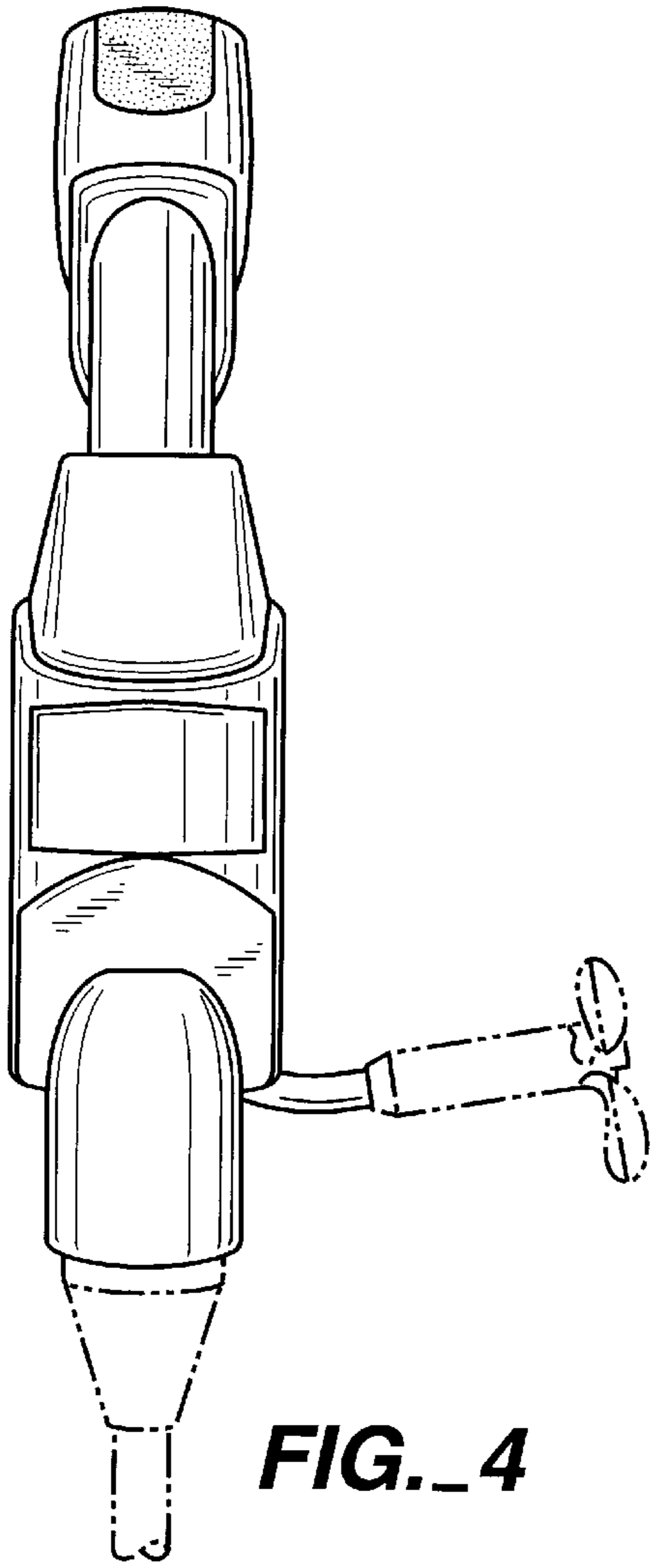
**FIG.\_2**



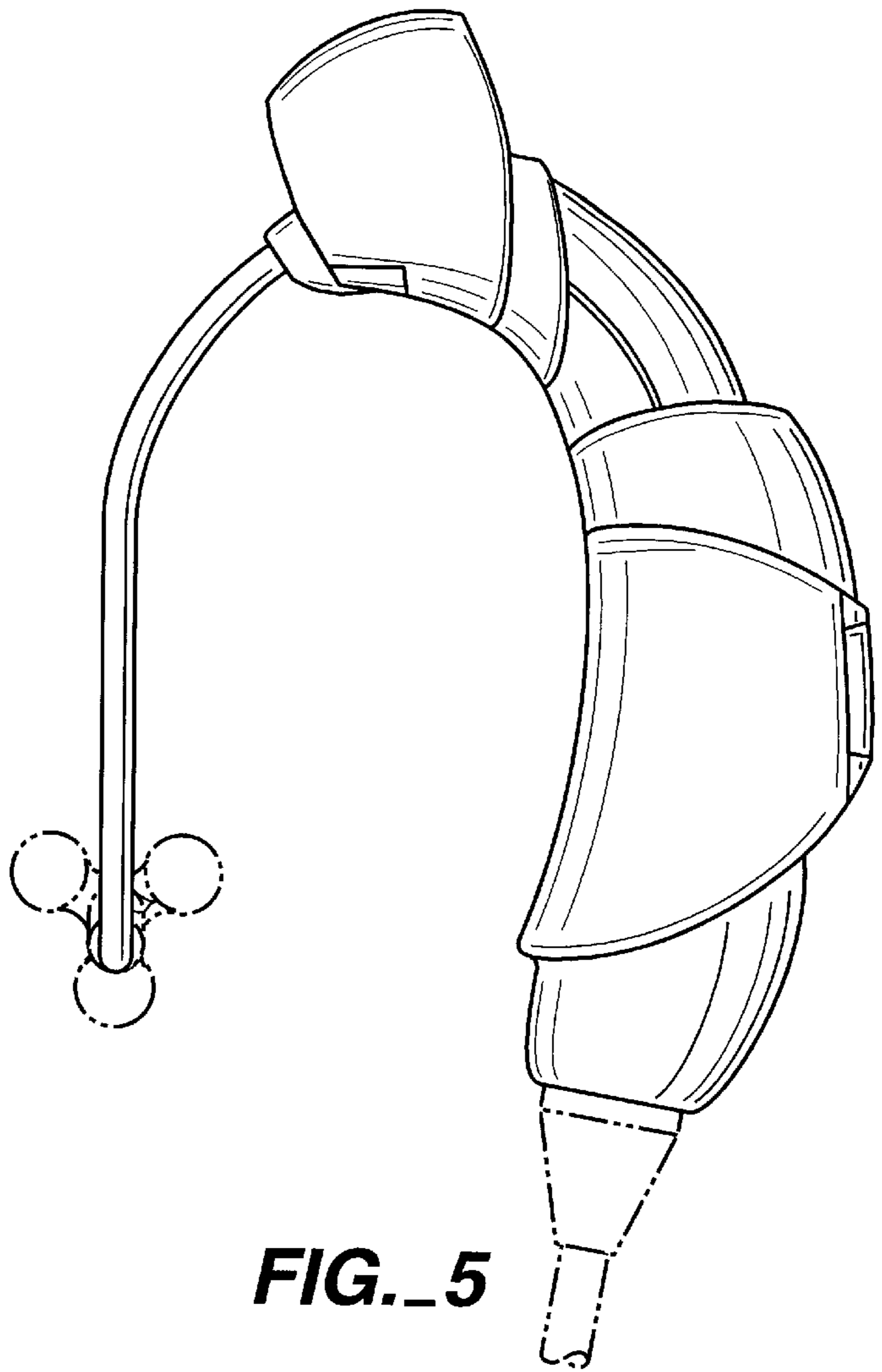
**FIG.\_3**



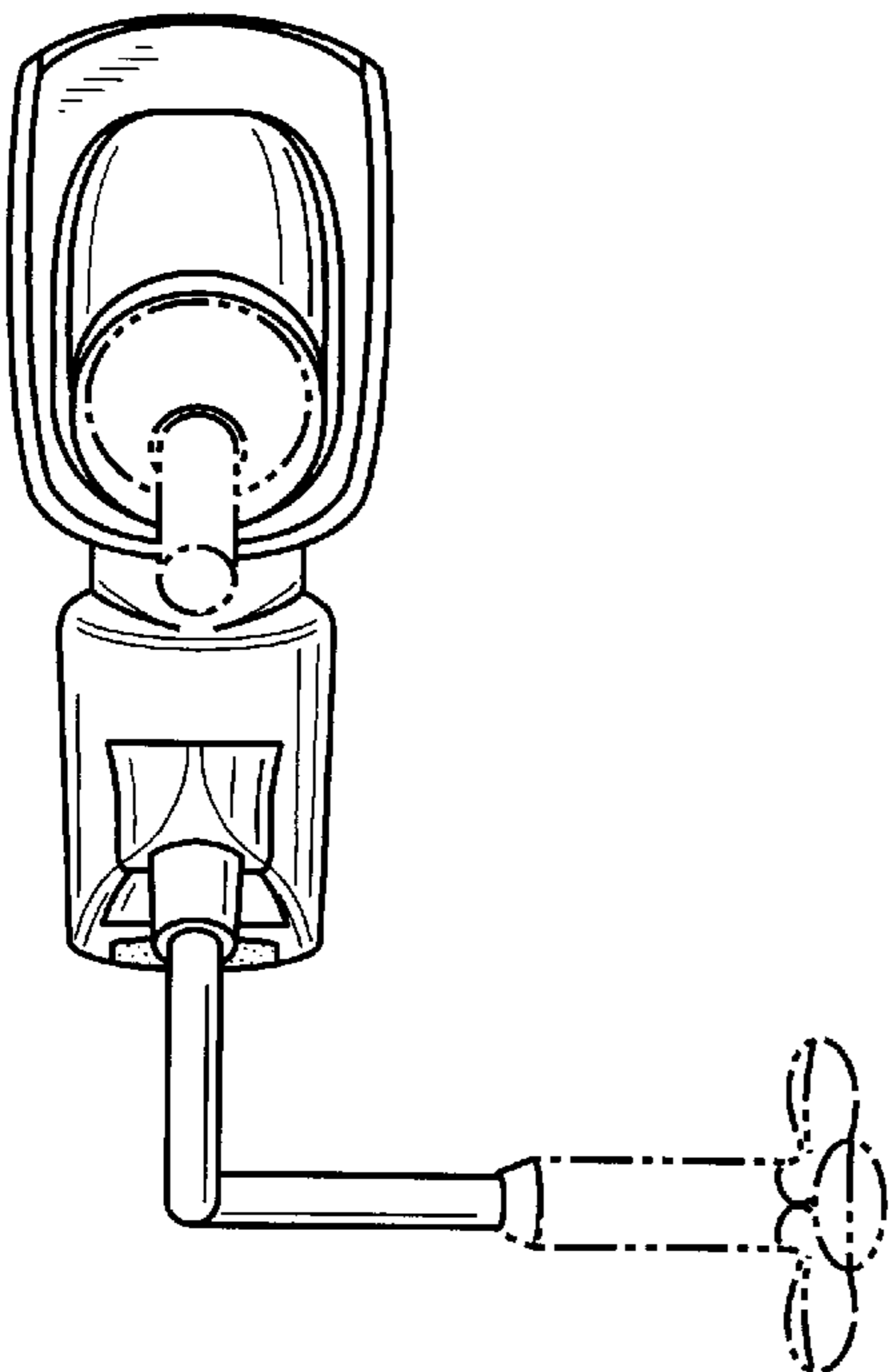
**FIG.\_6**



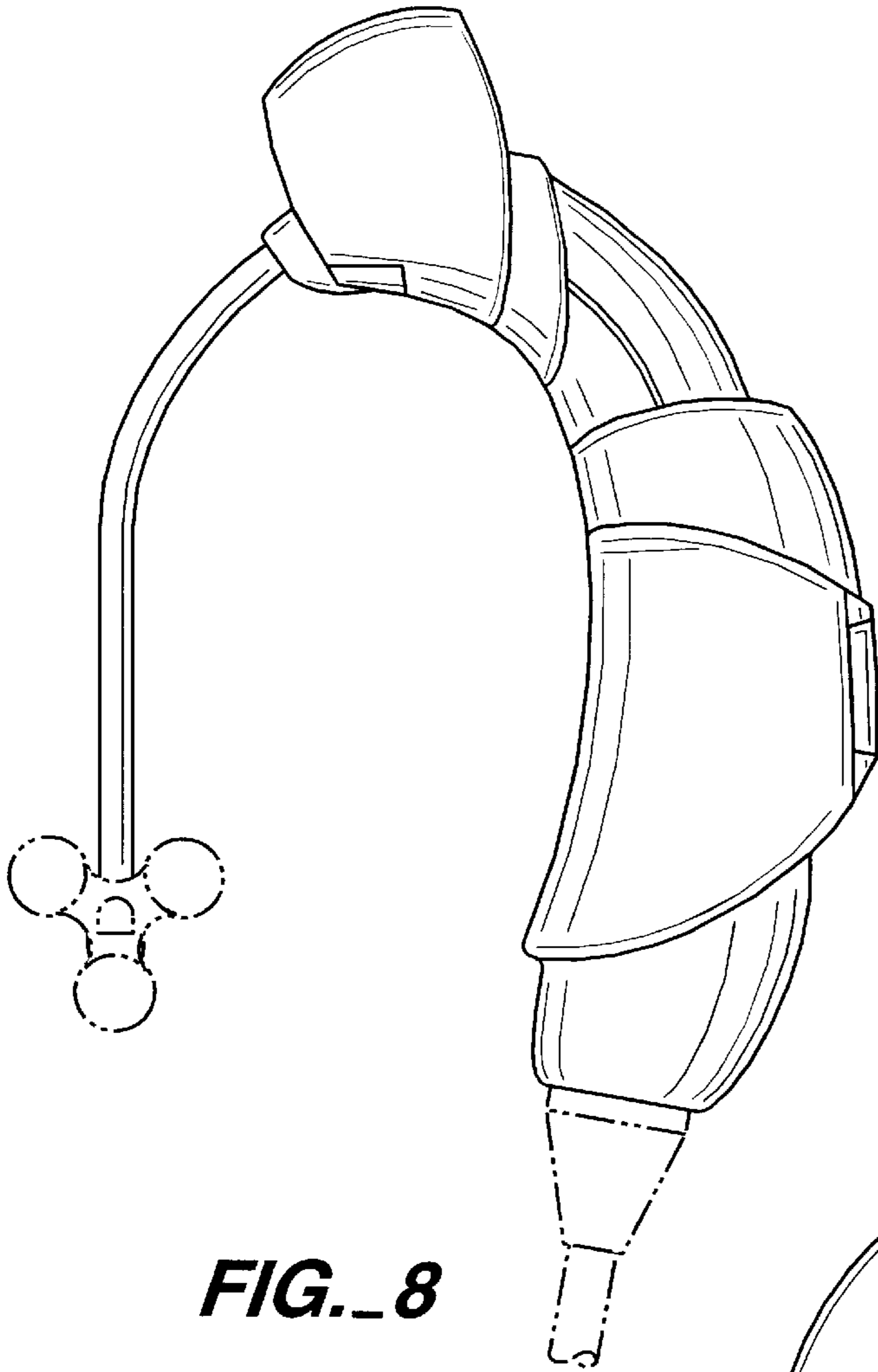
**FIG.\_4**



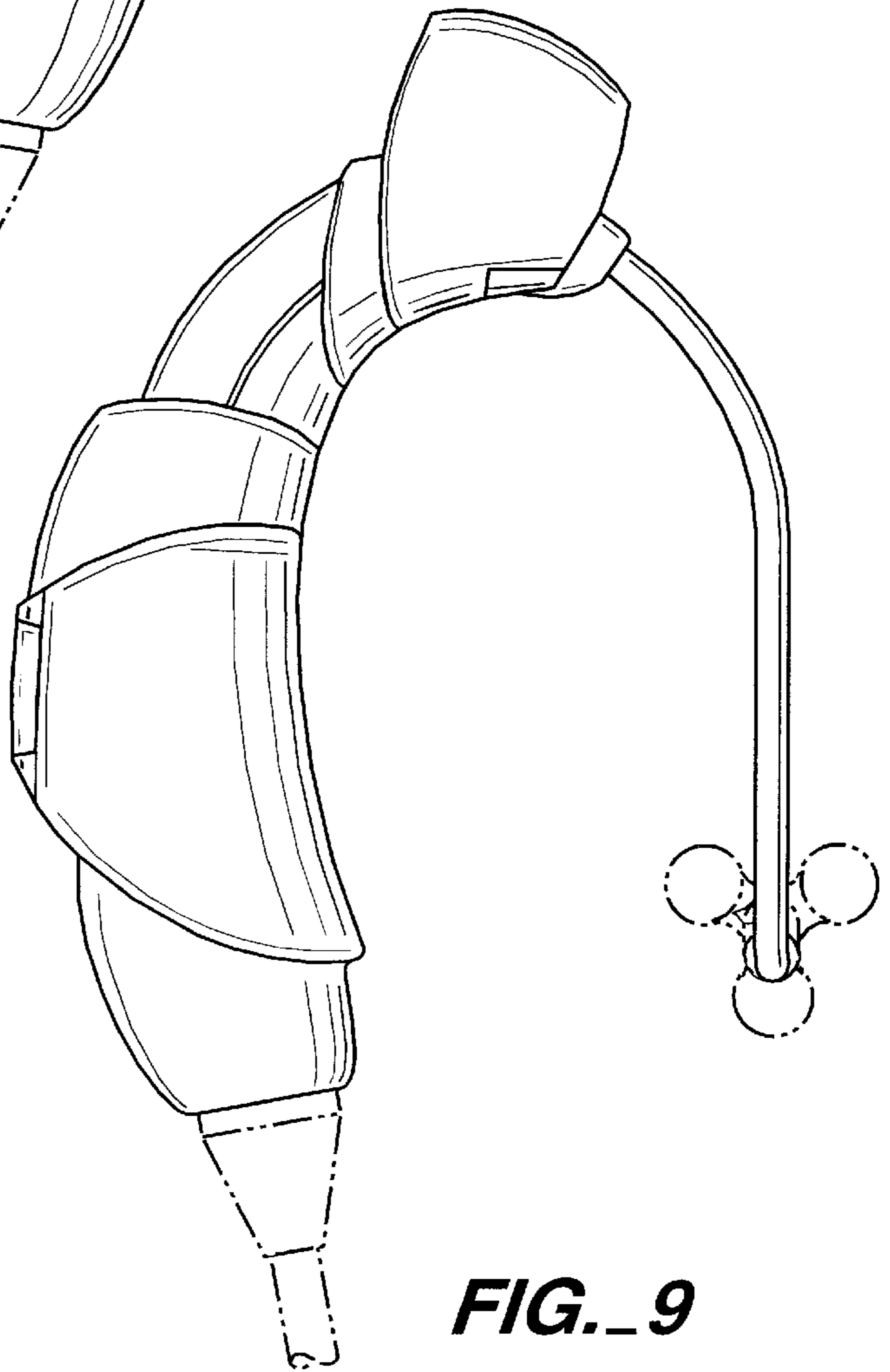
**FIG.\_5**



**FIG.\_7**



**FIG.\_8**



**FIG.\_9**