



US00D411538S

United States Patent [19] Fitzgerald

[11] Patent Number: Des. 411,538

[45] Date of Patent: ** Jun. 29, 1999

[54] **CORDLESS TELEPHONE HEADSET**

[76] Inventor: **Robert M. Fitzgerald**, 2290 S. Parker Rd., Suite 150, Denver, Colo. 80231

[**] Term: **14 Years**

[21] Appl. No.: **29/089,569**

[22] Filed: **Jun. 18, 1998**

[51] **LOC (6) Cl.** **14-03**

[52] **U.S. Cl.** **D14/142; D14/206**

[58] **Field of Search** D14/137, 138, D14/147-148, 247-248, 250, 240, 140, 142, 205, 206, 223; 379/430, 433, 434, 419, 420, 428, 440; 455/550, 575, 90; 381/375-378; 181/128, 137

[56] **References Cited**

U.S. PATENT DOCUMENTS

D. 305,759	1/1990	Balbuena .	
D. 327,265	6/1992	Jasey .	
D. 337,116	7/1993	Hattori .	
D. 342,947	1/1994	Totsuka	D14/205
D. 344,730	3/1994	Gathey et al.	D14/206
D. 364,617	11/1995	Fitzgerald .	
D. 394,058	5/1998	Fitzgerald .	
D. 394,436	5/1998	Hall et al.	D14/206
4,484,029	11/1984	Kenney	455/568
4,882,745	11/1989	Silver .	
5,003,589	3/1991	Chen	379/433
5,086,464	2/1992	Groppe .	
5,117,464	5/1992	Jones et al. .	

5,469,505 11/1995 Gathey et al. .
5,528,689 6/1996 Chan .

OTHER PUBLICATIONS

Hello Direct, Winter 1991, p. 6, Cordless Headset.

Primary Examiner—Jeffrey Asch

Attorney, Agent, or Firm—Davis, Graham & Stubbs, LLP

[57] **CLAIM**

The ornamental design for a cordless telephone headset, as shown and described.

DESCRIPTION

FIG. 1 is a right side front perspective view of a cordless telephone headset showing my new design;

FIG. 2 is a front elevation view;

FIG. 3 is a right side elevation view;

FIG. 4 is a left side elevation view;

FIG. 5 is a rear elevation view;

FIG. 6 is a bottom plan view;

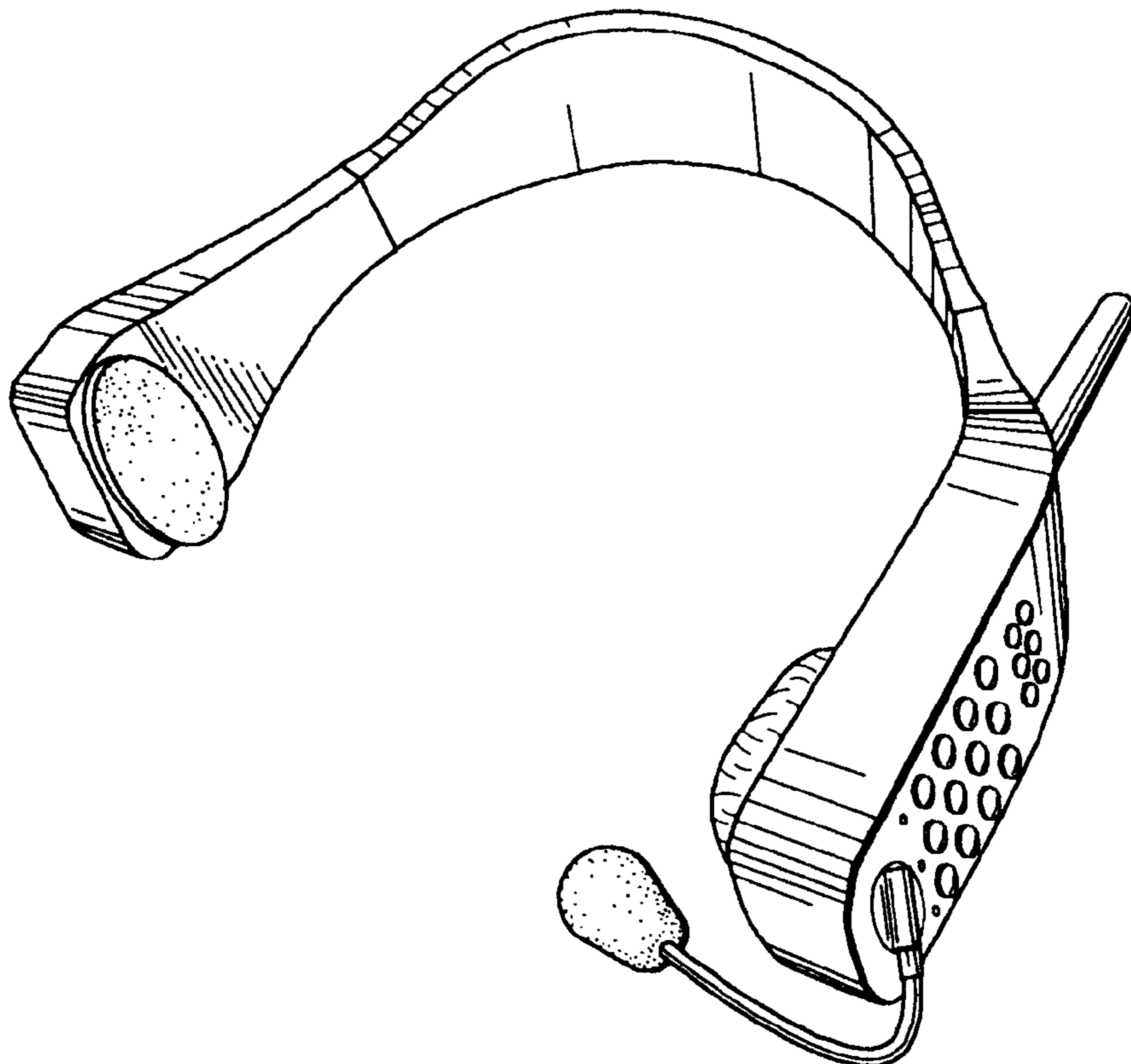
FIG. 7 is a top plan view; and,

FIG. 8 is a right side front perspective view thereof showing, in phantom, a telephone base supporting said cordless telephone headset therein.

The broken line showing in FIG. 8 is illustrative purposes only and forms no part of the claimed design.

Portions of the broken line disclosure have been shown through the solid line disclosure for convenience of illustration. The headset of FIG. 8 being the same in appearance as that shown in FIG. 1.

1 Claim, 4 Drawing Sheets



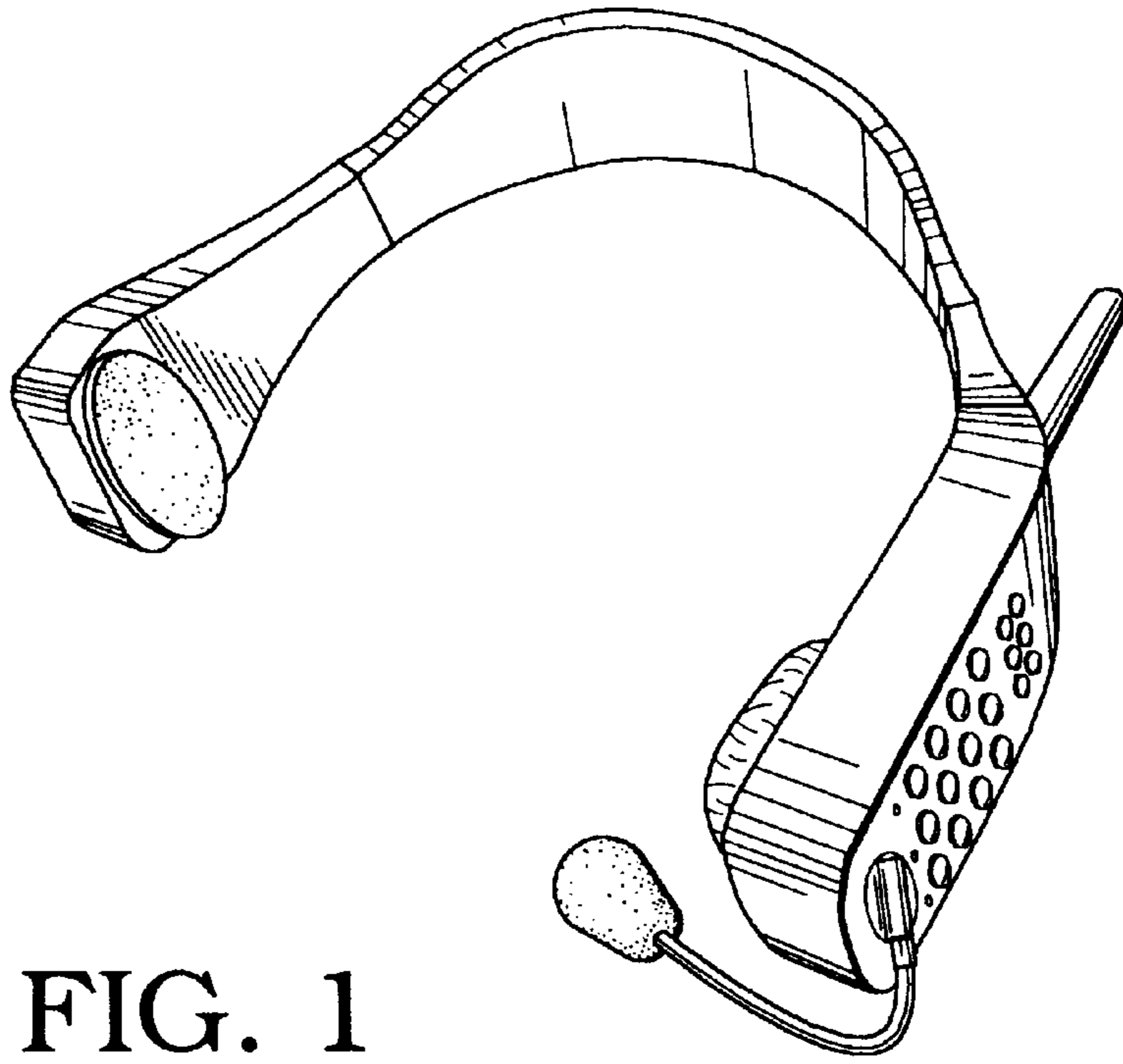


FIG. 1

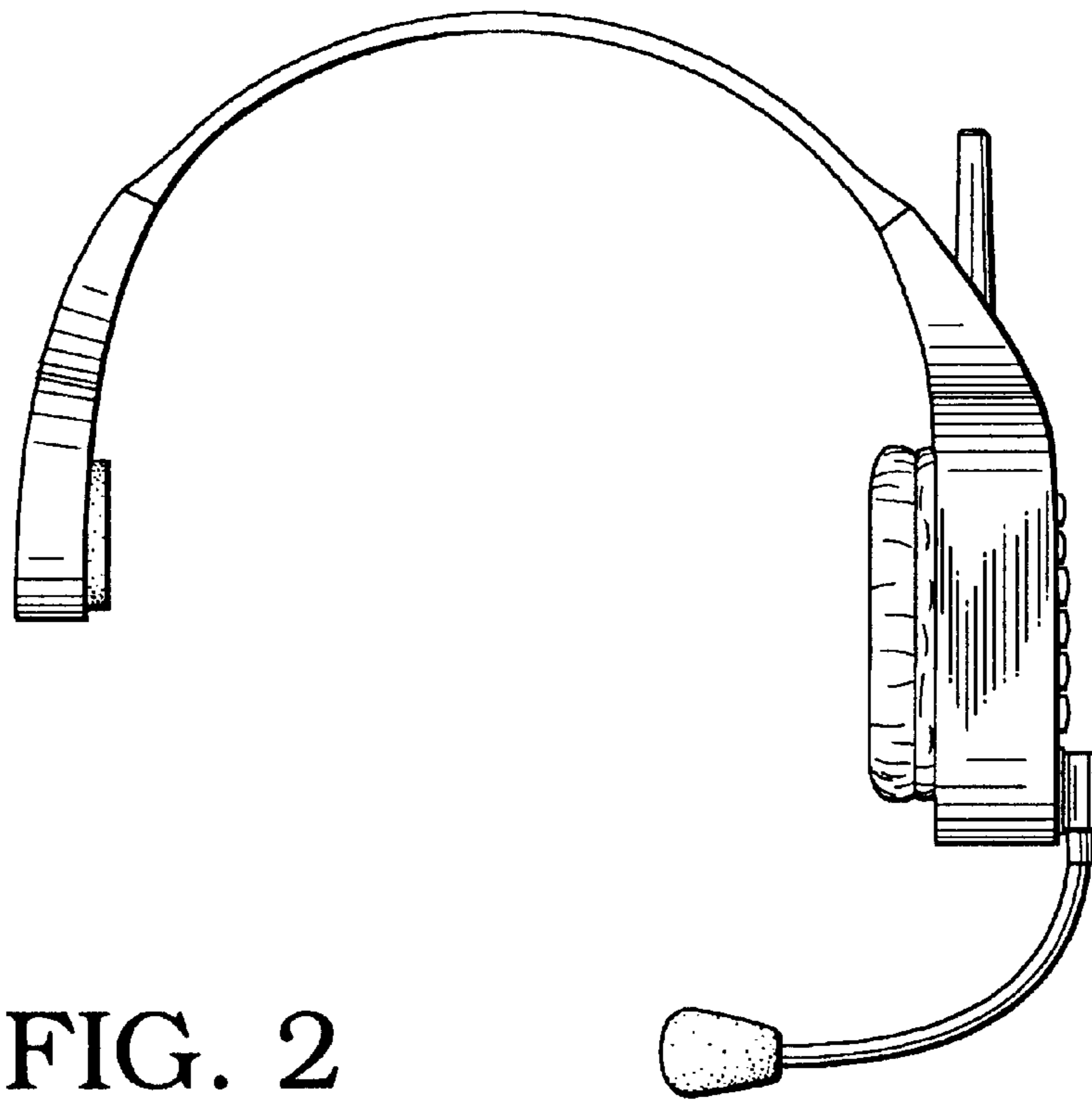


FIG. 2

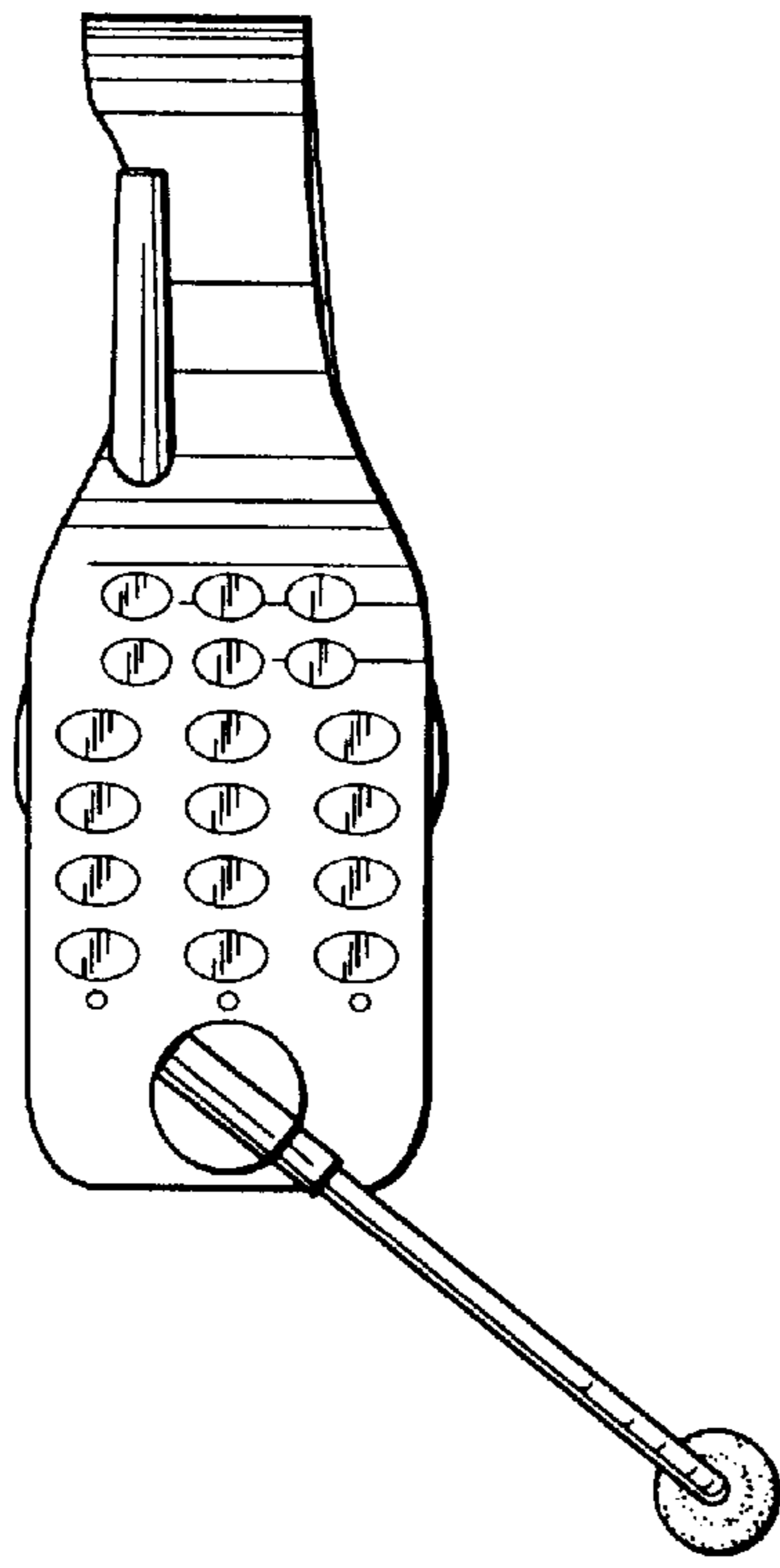


FIG. 3

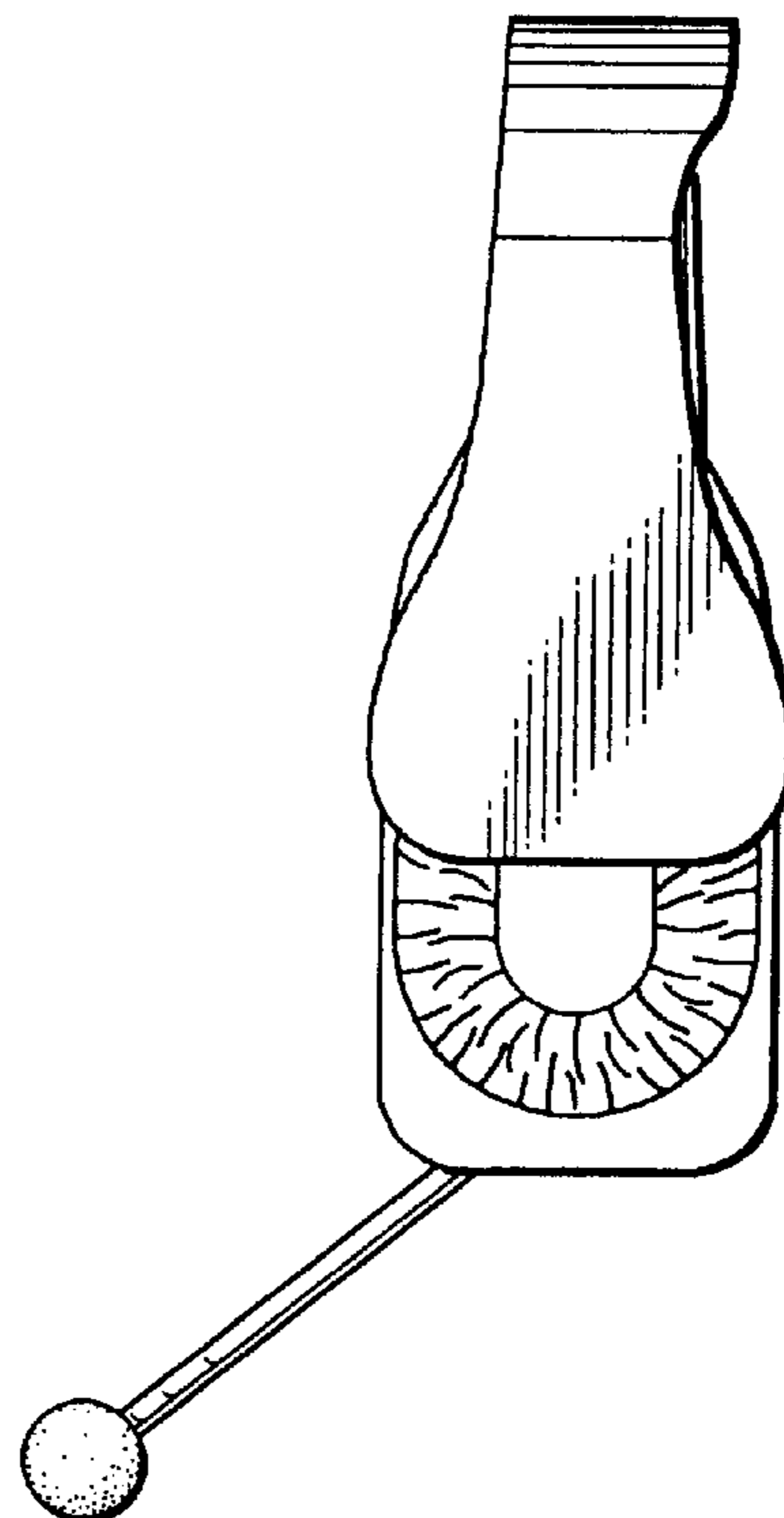


FIG. 4

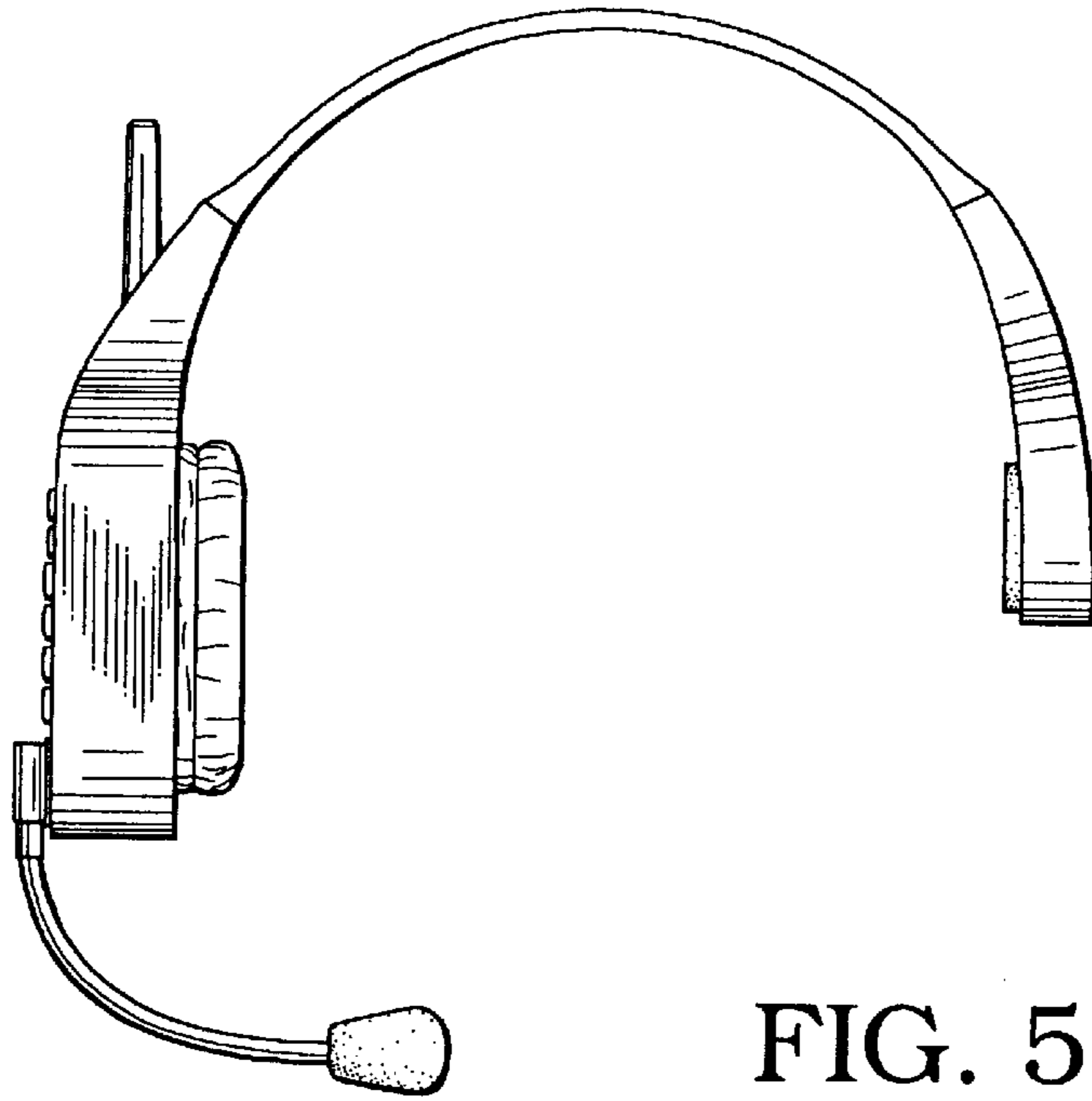


FIG. 5

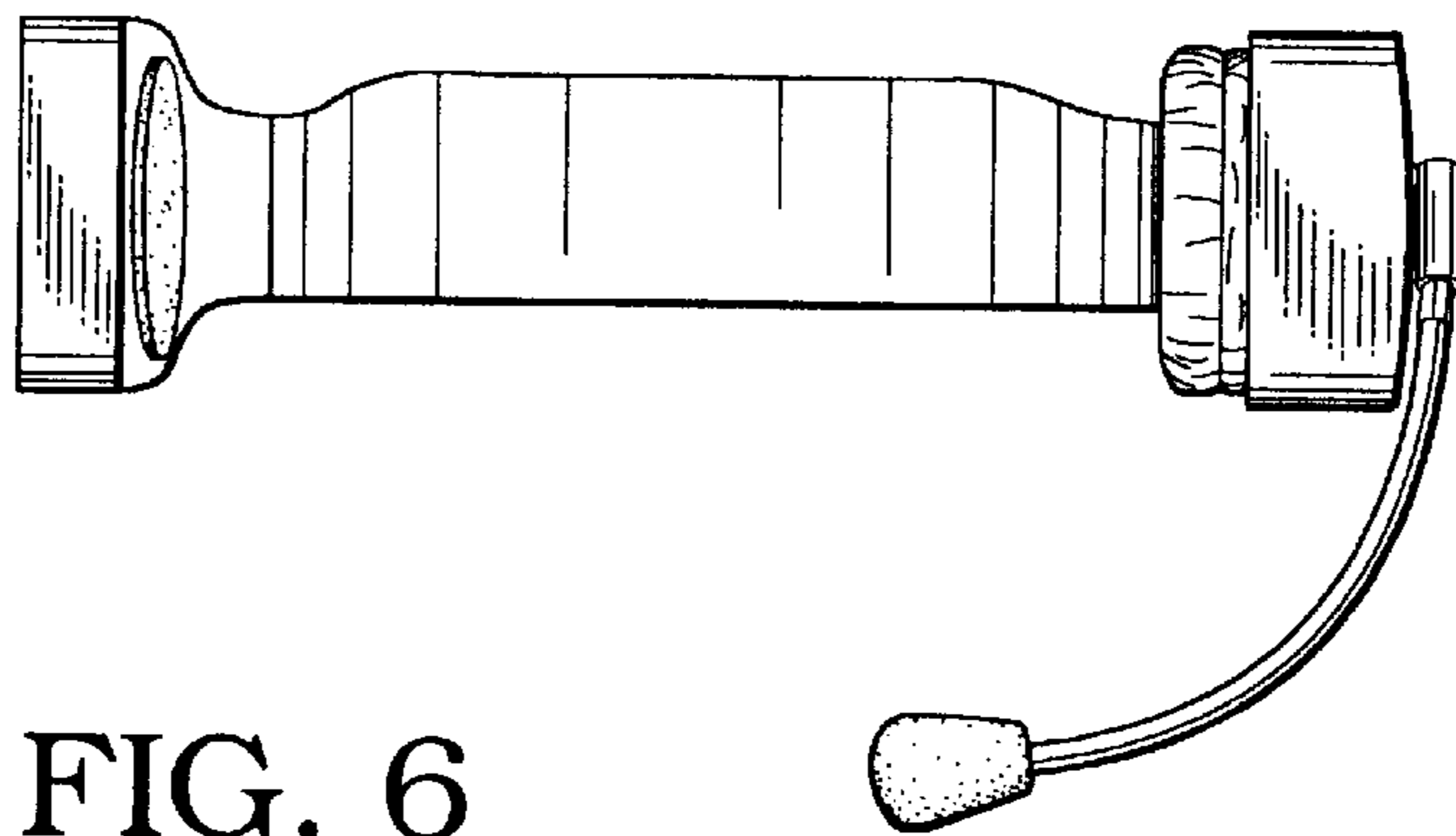


FIG. 6

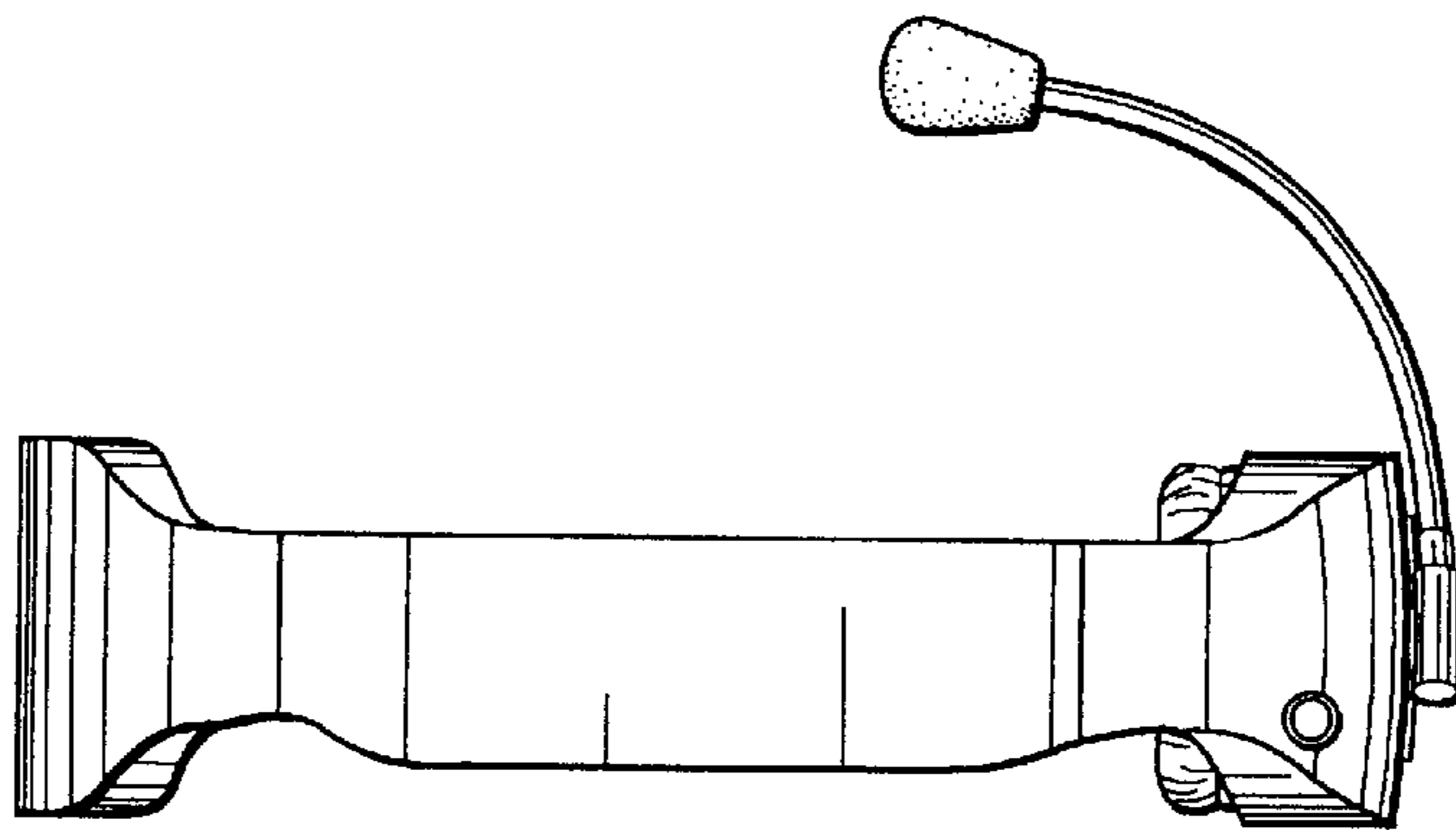


FIG. 7

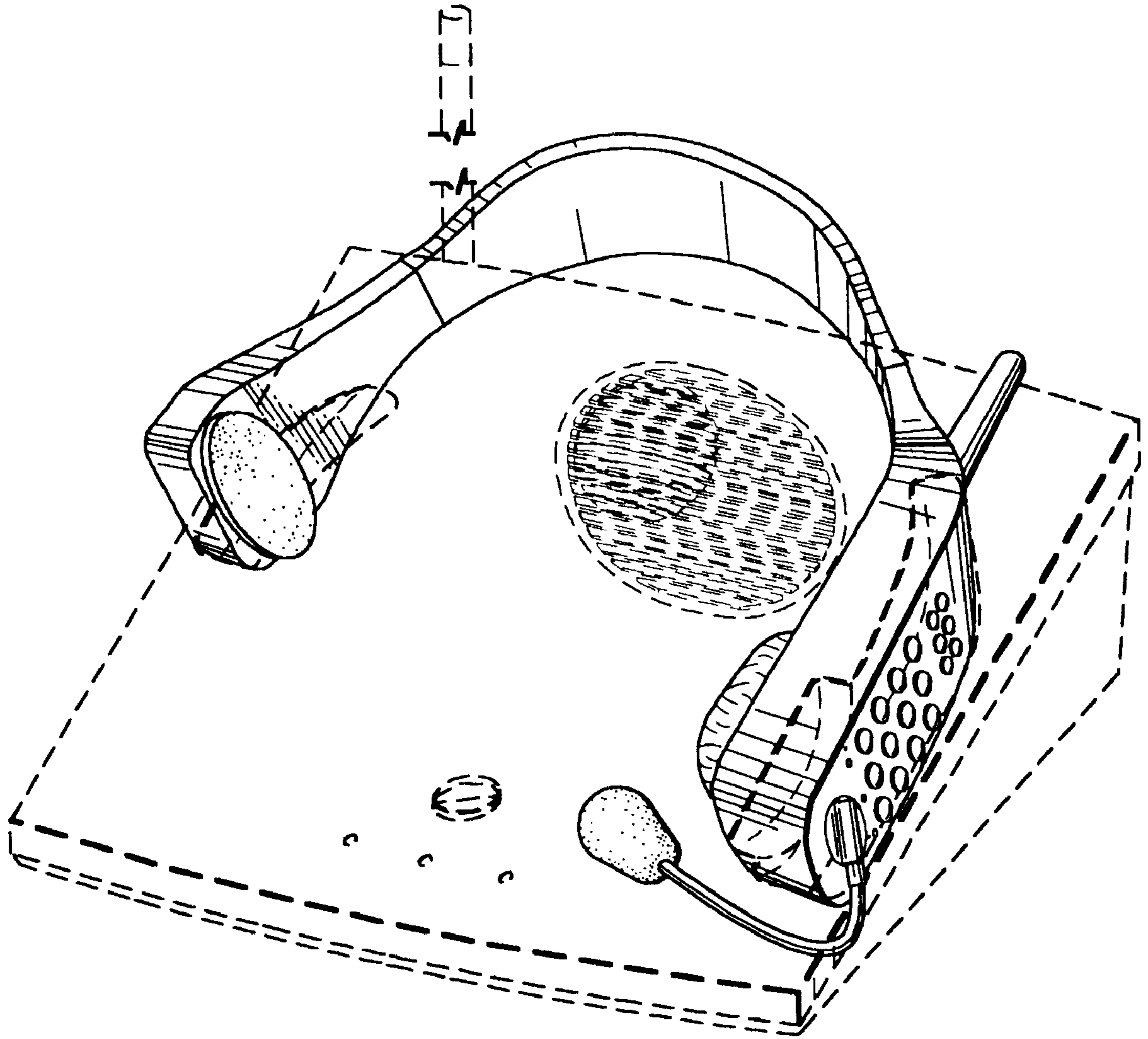


FIG. 8