



US00D411535S

# United States Patent [19]

Beaumont et al.

[11] Patent Number: **Des. 411,535**

[45] Date of Patent: **\*\* Jun. 29, 1999**

[54] **HOUSING FOR A WIRELESS FIXED ACCESS UNIT**

[75] Inventors: **Thomas Glenn Beaumont**, Bedford;  
**Son Le**, Ft. Worth, both of Tex.;  
**Kenneth Warren Larson**, Elmhurst, Ill.

[73] Assignee: **Motorola, Inc.**, Schaumburg, Ill.

[\*\*] Term: **14 Years**

[21] Appl. No.: **29/069,716**

[22] Filed: **Mar. 27, 1997**

### Related U.S. Application Data

[63] Continuation of application No. 29/030,703, Nov. 4, 1994, abandoned.

[51] **LOC (6) Cl.** ..... **14-03**

[52] **U.S. Cl.** ..... **D14/137**

[58] **Field of Search** ..... D14/124, 137-139,  
D14/159, 299, 140, 142, 240; D21/517;  
D10/104; D13/184; 455/90, 575; 361/814

### [56] References Cited

#### U.S. PATENT DOCUMENTS

D. 299,664 1/1989 Ferguson et al. .... D14/137 X

D. 310,218 8/1990 Murphy ..... D14/137  
D. 310,664 9/1990 Murphy ..... D14/137  
D. 323,826 2/1992 Suzuki et al. .... D14/137  
D. 328,069 7/1992 Langton ..... D14/137  
D. 352,033 11/1994 Robertson et al. .... D14/137 X

### OTHER PUBLICATIONS

NTT Personal Communications Network, PALDIO Cordless Telephone System brochure, p. 7; published in 1995.

*Primary Examiner*—Ted Shooman

*Assistant Examiner*—Richelle Shelton

*Attorney, Agent, or Firm*—John G. Rauch; Anthony G. Sarli

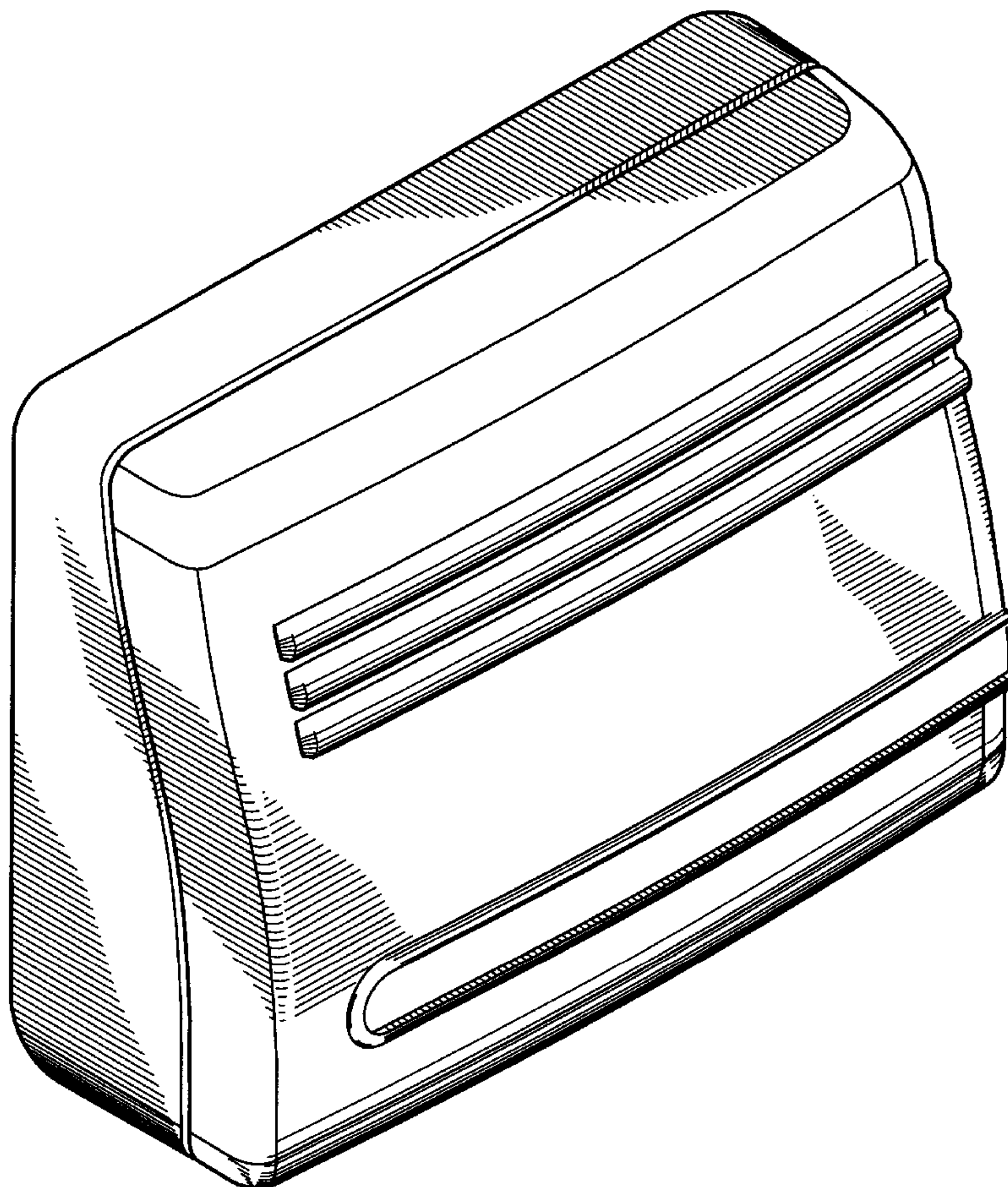
### [57] CLAIM

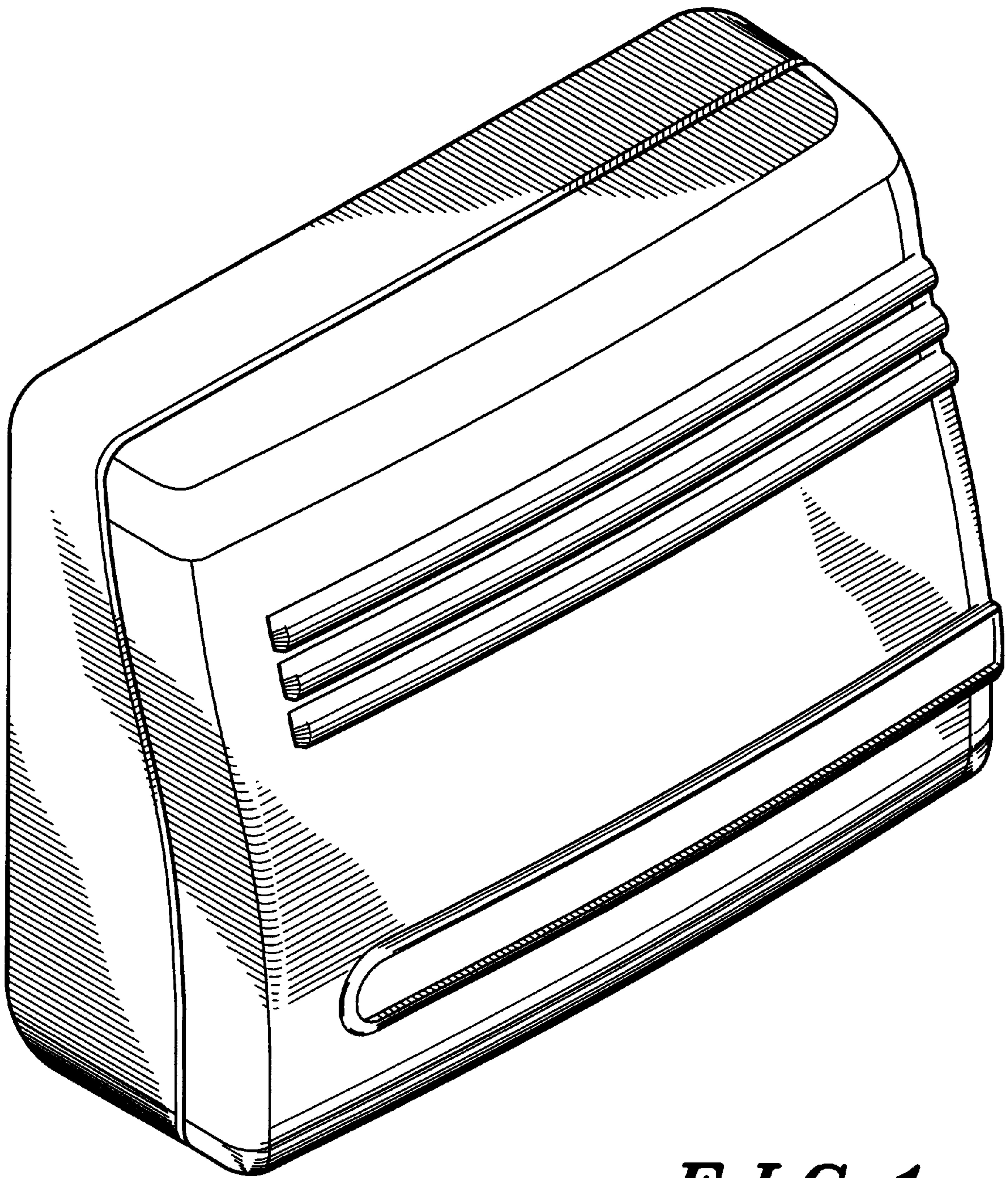
The ornamental design for a housing for a wireless fixed access unit, as shown and described.

### DESCRIPTION

FIG. 1 is a left front perspective view of a housing for a wireless fixed access unit showing our new design; FIG. 2 is a front elevational view thereof; FIG. 3 is a right side elevational view thereof; FIG. 4 is a left side elevational view thereof; FIG. 5 is a top plan view thereof; FIG. 6 is a bottom plan view thereof; and, FIG. 7 is a rear elevational view thereof.

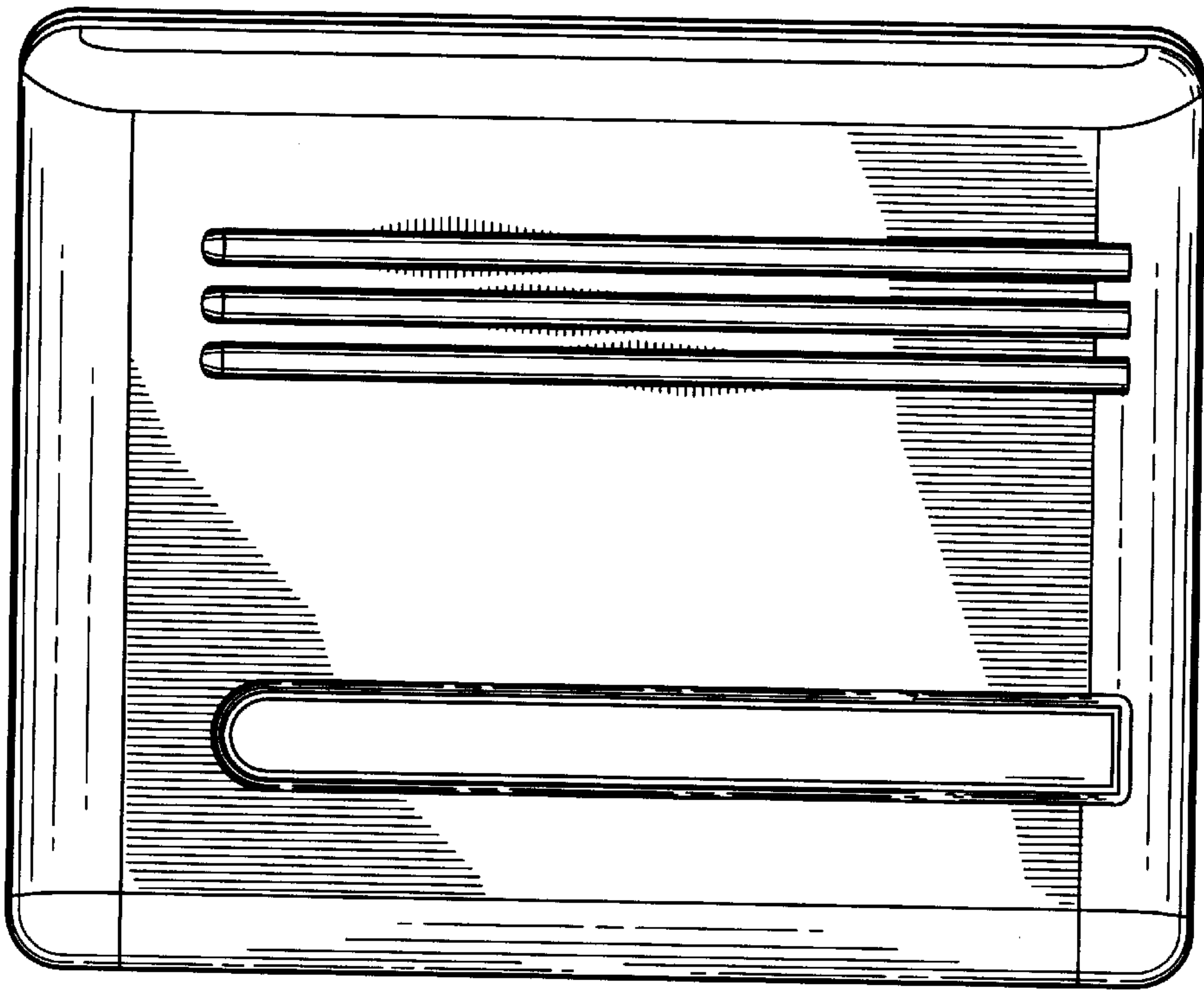
**1 Claim, 3 Drawing Sheets**



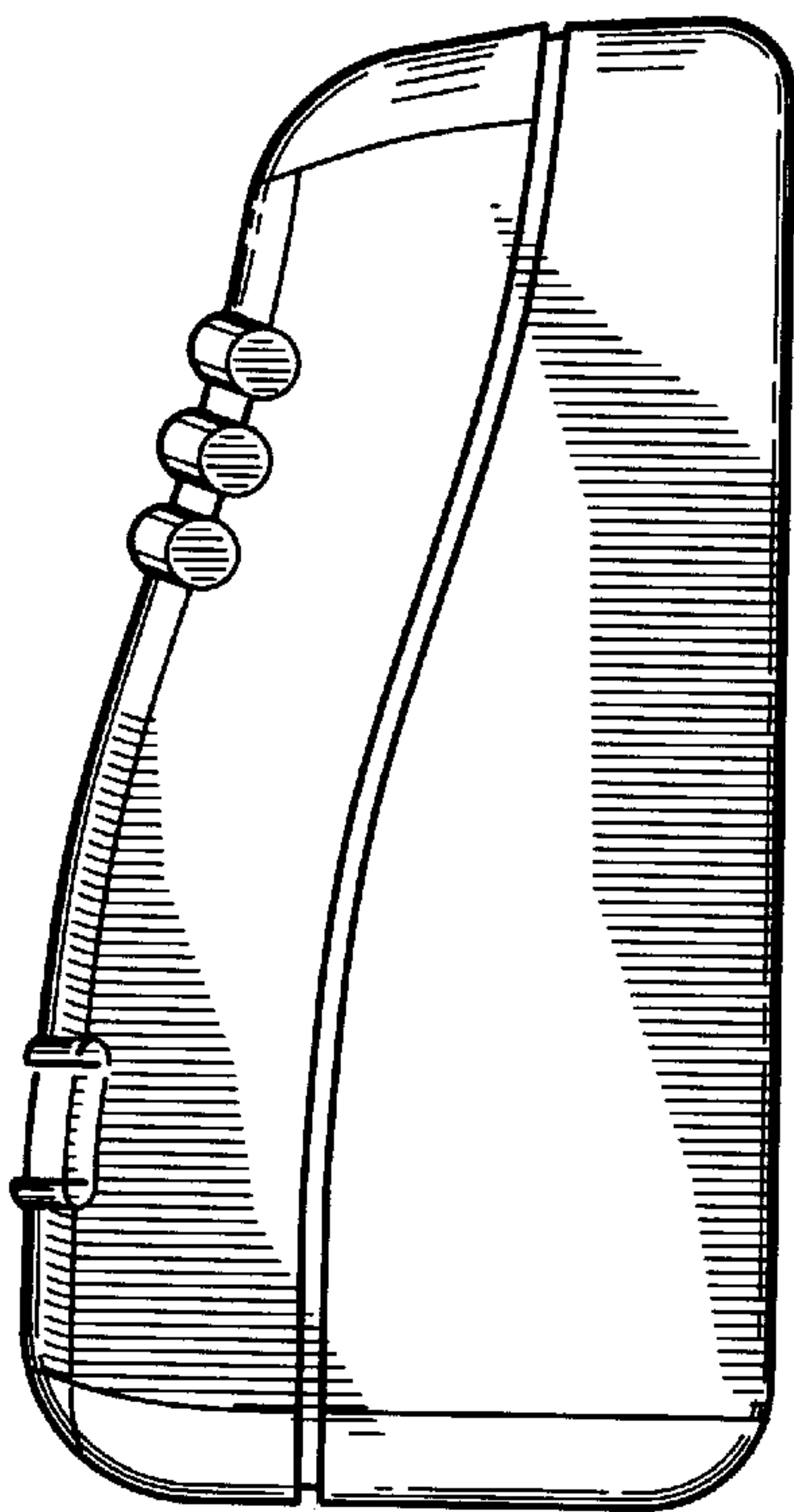


*FIG. 1*

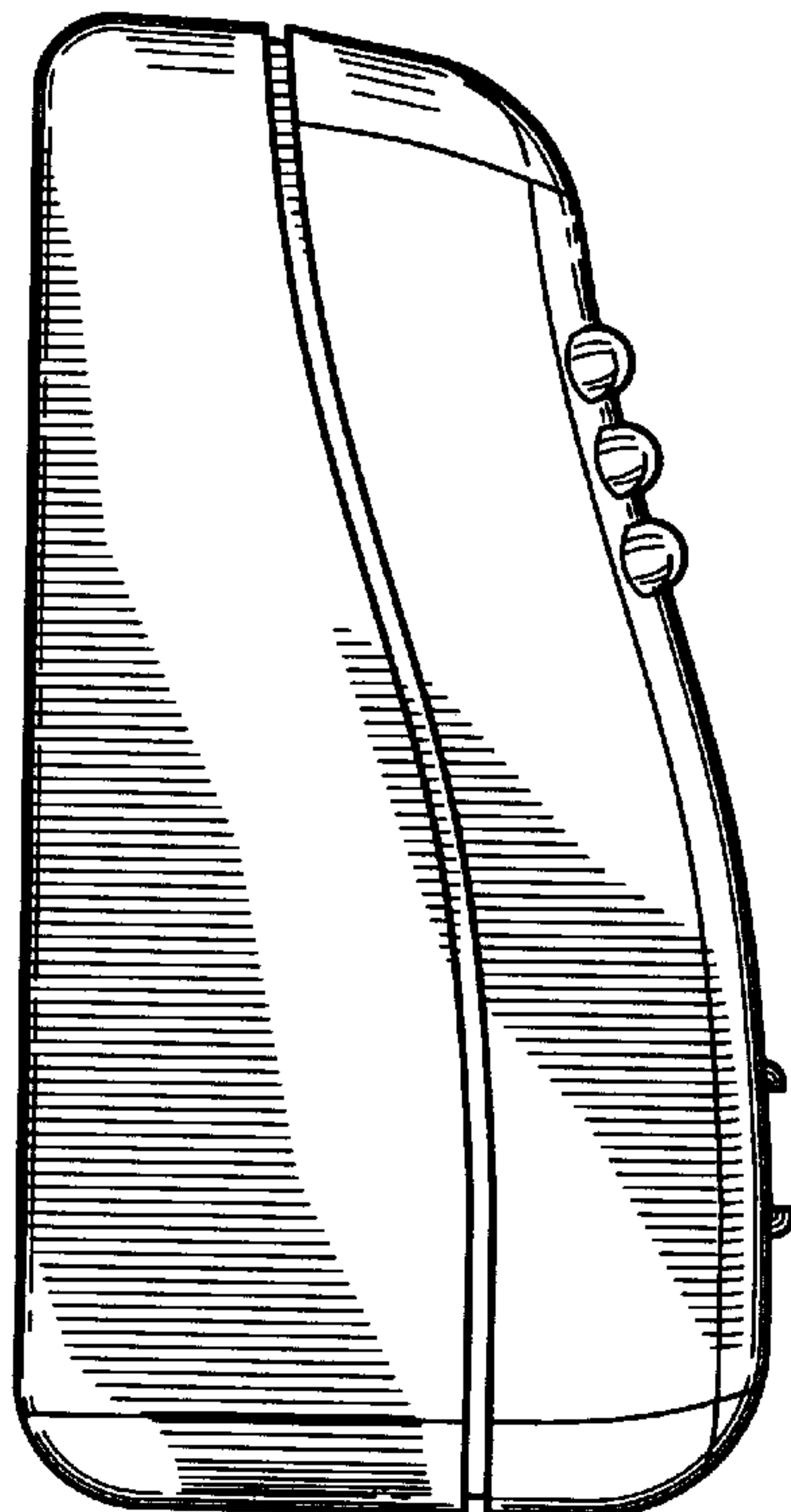




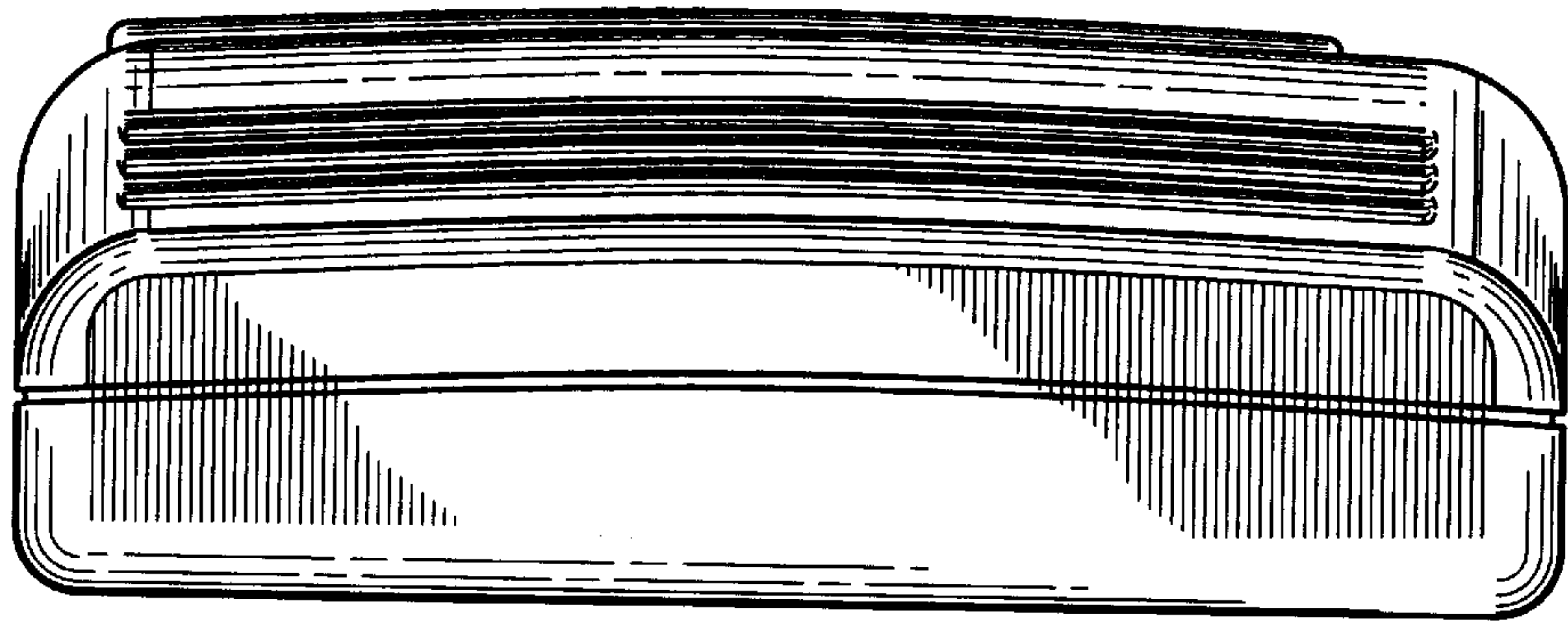
*FIG. 2*



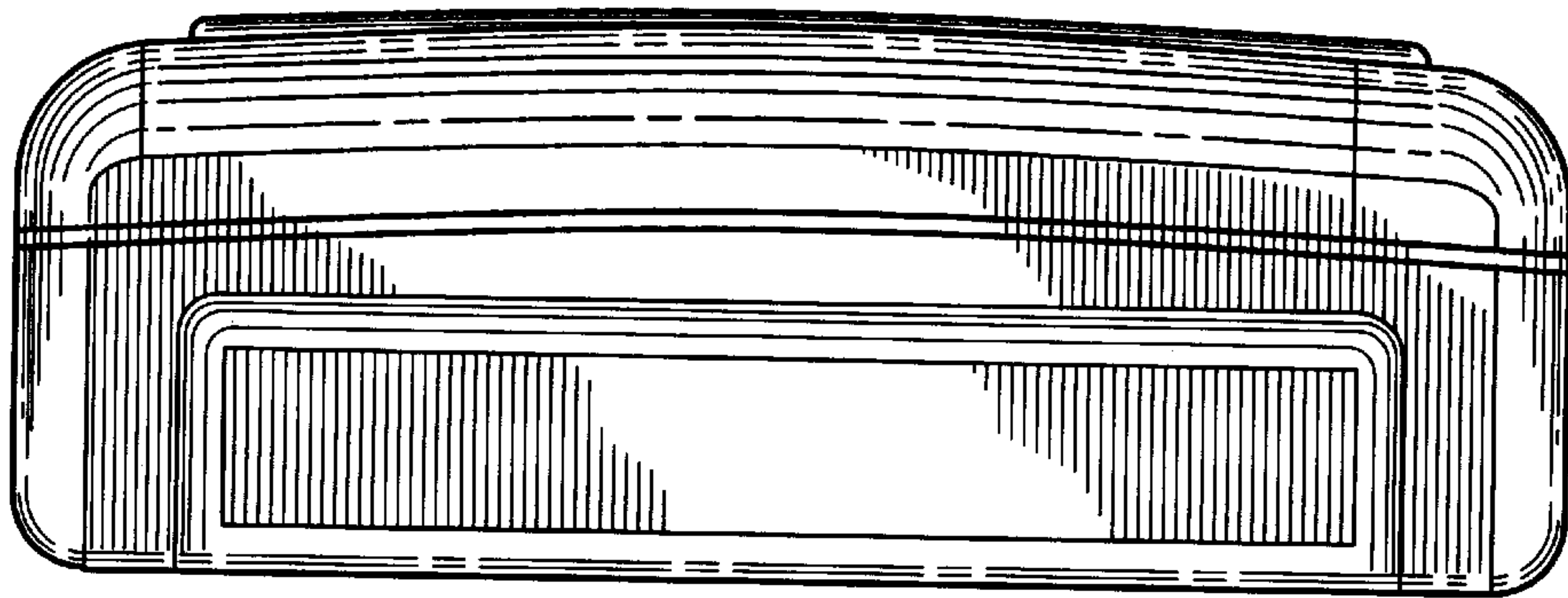
*FIG. 3*



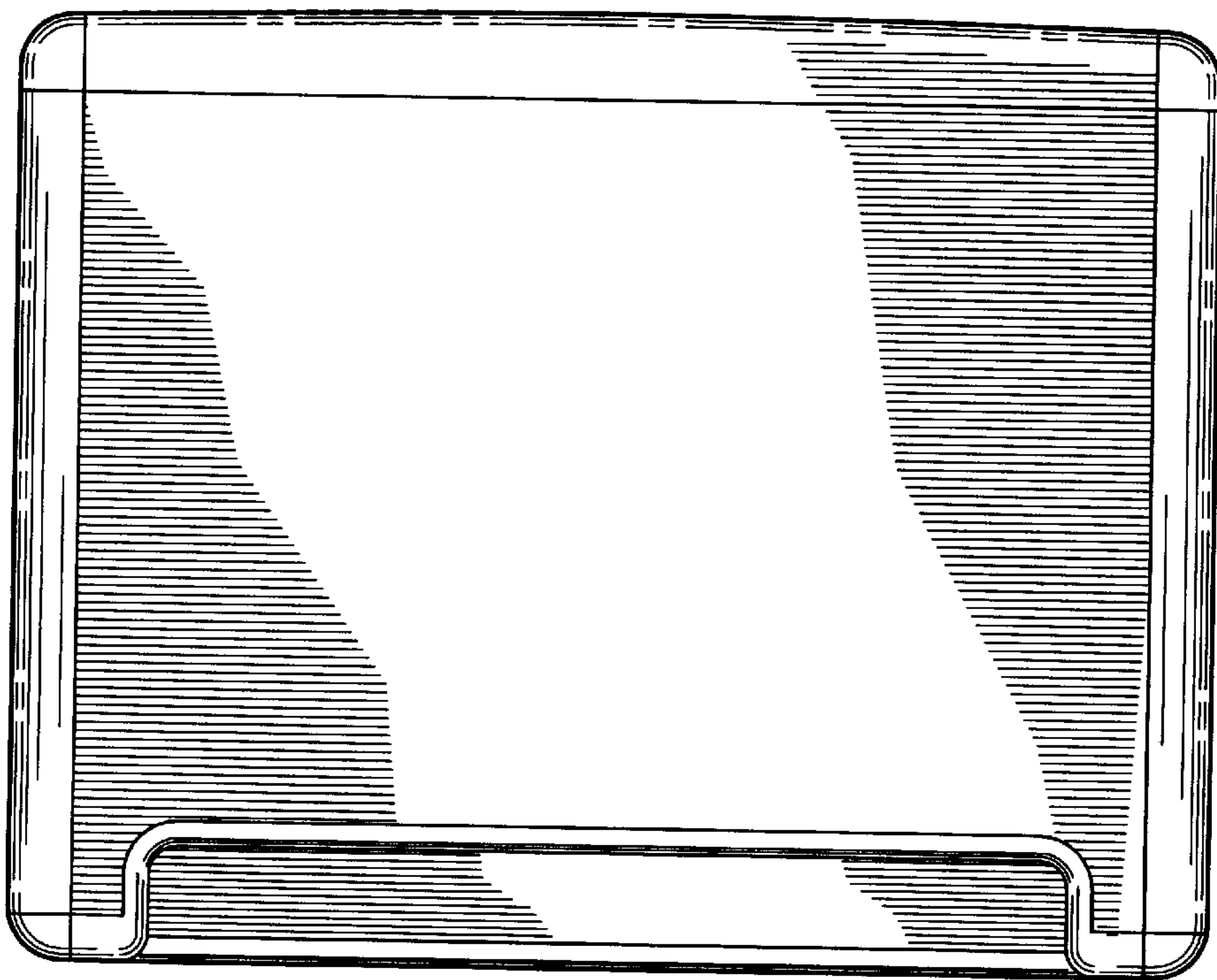
*FIG. 4*



*FIG. 5*



*FIG. 6*



*FIG. 7*