



US00D411533S

United States Patent [19]

[11] Patent Number: **Des. 411,533**

Iftikar et al.

[45] Date of Patent: **** Jun. 29, 1999**

[54] **ELEMENT OF AN AUDIO VIDEO AND COMPUTER DATA CARTRIDGE**

[75] Inventors: **Syed H. Iftikar**, Pleasanton; **Albert J. Guerini**, Gilroy; **Long Nguyen**, San Jose, all of Calif.

[73] Assignee: **Castlewood Systems, Inc.**, Milpitas, Calif.

[**] Term: **14 Years**

[21] Appl. No.: **29/087,953**

[22] Filed: **May 12, 1998**

[51] **LOC (6) Cl.** **14-99**

[52] **U.S. Cl.** **D14/121; D14/121**

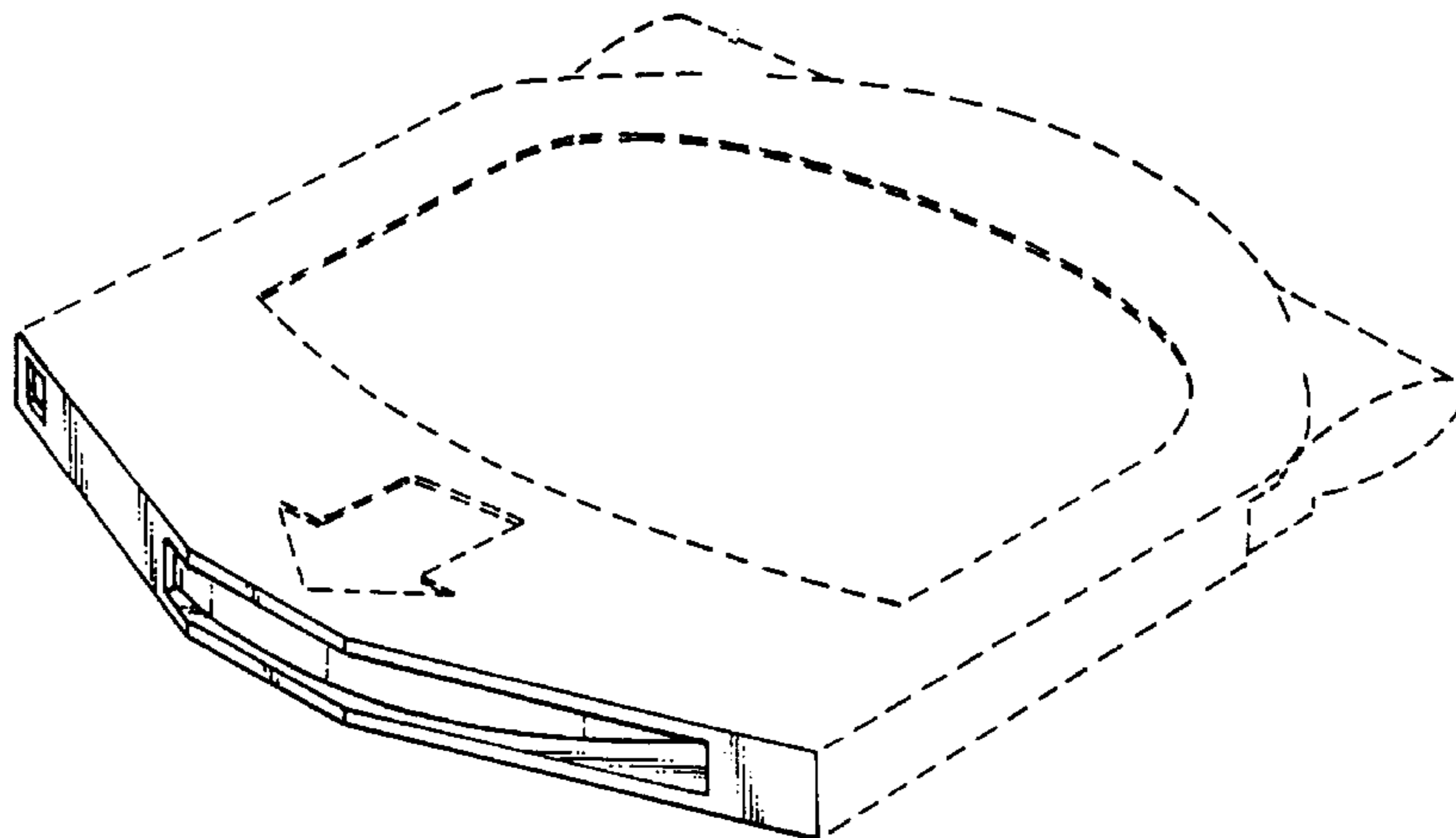
[58] **Field of Search** D14/120, 121, D14/100, 114; D21/332; 360/132, 133, 135, 60, 129, 900; 369/291, 292; 206/307, 305.1; 413/44, 46, 47

[56] **References Cited**

U.S. PATENT DOCUMENTS

D. 271,688	12/1983	Tajima et al.	D14/121
D. 315,903	4/1991	Nakauma	D14/121
D. 316,711	5/1991	Kantrowitz	D14/114
D. 330,370	10/1992	Tseng	D14/121 X
D. 339,798	9/1993	Tannert et al.	D14/114
D. 350,951	9/1994	Tseng	D14/121
D. 356,789	3/1995	Miyazaki	D14/114
D. 357,239	4/1995	Kato et al.	D14/114
D. 368,082	3/1996	Goto	D14/114
D. 370,009	5/1996	Smedley, Jr. et al.	D14/114
D. 375,304	11/1996	Takahata et al.	D14/121
2,259,156	10/1941	Ebert	200/5
2,288,526	6/1942	Hokanson	274/10
2,291,538	7/1942	Ebert	274/10
3,650,378	3/1972	Kakiuchi et al.	206/1
4,045,821	8/1977	Fujikura	360/132
4,078,246	3/1978	Berthoux et al.	360/133
4,184,184	1/1980	Hedin et al.	360/133
4,274,119	6/1981	Hayward et al.	360/97
4,320,430	3/1982	Vogt	360/133
4,400,748	8/1983	Bauck et al.	360/99
4,532,564	7/1985	Larson et al.	360/97
4,546,397	10/1985	Asami et al.	360/99

4,559,575	12/1985	Noto et al.	360/133
4,603,455	8/1986	Woest et al.	29/25.42
4,608,617	8/1986	Oishi et al.	360/133
4,636,891	1/1987	Barski	360/97
4,658,318	4/1987	Bauck et al.	360/133
4,688,127	8/1987	Oishi et al.	360/132
4,714,973	12/1987	Kato et al.	360/133
4,717,981	1/1988	Nigam et al.	360/133
4,730,292	3/1988	Hasegawa et al.	369/39
4,743,989	5/1988	Bauck et al.	360/133
4,746,013	5/1988	Suzuki et al.	206/309
4,750,075	6/1988	Oishi et al.	360/133
4,757,401	7/1988	Teranishi	360/98
4,769,733	9/1988	Freeman et al.	360/133
4,791,516	12/1988	Seto	360/133
4,794,480	12/1988	Jones et al.	360/99.04
4,797,865	1/1989	Imai et al.	369/39
4,800,554	1/1989	Yamasaki et al.	369/291
4,802,027	1/1989	Talmadge et al.	360/60
4,812,938	3/1989	Rogers et al.	360/133
4,814,924	3/1989	Ozeki	360/133
4,814,926	3/1989	Gulbrandsen	360/133
4,843,511	6/1989	Downey	360/133
4,860,143	8/1989	van Blerk	360/133
4,864,452	9/1989	Thompson et al.	360/133
4,879,621	11/1989	Chamberlin et al.	360/133
4,885,652	12/1989	Leonard et al.	360/133
4,901,173	2/1990	Jones et al.	360/99.04
4,942,364	7/1990	Nishijima et al.	324/696
4,943,880	7/1990	Muehlhausen et al.	360/133
5,006,948	4/1991	Fukunaga et al.	360/133
5,030,260	7/1991	Beck et al.	55/316
5,041,923	8/1991	Iwata et al.	360/60
5,050,434	9/1991	Demish	73/336.5
5,060,105	10/1991	Howey	360/133
5,075,807	12/1991	Inoue et al.	360/97.02
5,083,231	1/1992	Veenstra et al.	360/133
5,115,961	5/1992	Nakajima	228/111
5,138,591	8/1992	Ogawa et al.	369/36
5,148,337	9/1992	Cullen et al.	360/97.04
5,150,269	9/1992	Iwaki et al.	360/133
5,179,487	1/1993	Niitsuma et al.	360/133
5,182,742	1/1993	Ohmori et al.	369/116
5,189,574	2/1993	Imamura et al.	360/103
5,189,585	2/1993	Kubo	360/133
5,216,566	6/1993	Obara et al.	360/133
5,218,503	6/1993	Martin	360/133
5,224,216	6/1993	Gordon et al.	395/275
5,262,918	11/1993	Tannert	360/133
5,282,106	1/1994	Saito et al.	360/133
5,311,389	5/1994	Howey	360/133



5,381,402	1/1995	Lee et al.	369/291
5,392,192	2/1995	Dunn et al.	361/683
5,398,141	3/1995	Tannert	360/133
5,422,775	6/1995	Martin	360/133
5,434,737	7/1995	Miura	360/133
5,444,586	8/1995	Iftikar et al.	360/99.12
5,481,420	1/1996	Cardona et al.	360/99.06
5,515,358	5/1996	Goto	369/291
5,570,252	10/1996	Sumner et al.	360/133
5,650,899	7/1997	Schick et al.	360/133
5,671,109	9/1997	Sumner et al.	360/133
5,694,278	12/1997	Sumner	360/133
5,724,217	3/1998	Oishi	360/133
5,726,971	3/1998	Wanger et al.	369/291

2-193387	7/1990	Japan	G11B 33/04
57-205875	12/1992	Japan	G11B 25/04

Primary Examiner—Prabhakar Deshmukh
Attorney, Agent, or Firm—Townsend and Townsend and Crew LLP

[57] **CLAIM**

The ornamental design of an element of an audio, video and computer data cartridge, as shown and described.

DESCRIPTION

FIG. 1 is a perspective view from above of element of an audio, video, and computer data cartridge showing our new design;

FIG. 2 is a front elevational view thereof;

FIG. 3 is a top plan view thereof;

FIG. 4 is a right side elevational view thereof;

FIG. 5 is a left side elevational view thereof; and,

FIG. 6 is a bottom plan view thereof.

The broken line showing of cartridge is for illustrative purpose and forms no part of the claim.

FOREIGN PATENT DOCUMENTS

WO 89/08312	9/1989	European Pat. Off.	G11B 23/02
369 651 A2	5/1990	European Pat. Off.	G11B 23/03
3607 586 A1	10/1986	Germany	G11B 17/26
59-8173	1/1984	Japan	G11B 23/02
60-143495	7/1985	Japan	G11B 33/14
62-22774	1/1987	Japan	C07D 263/24
62-29678	2/1987	Japan	E04H 3/12
62-298980	12/1987	Japan	G11B 23/03
63-291282	11/1988	Japan	G11B 23/033
64-19572	1/1989	Japan	G11B 23/03
2-30704	2/1990	Japan	B22F 7/04

1 Claim, 2 Drawing Sheets

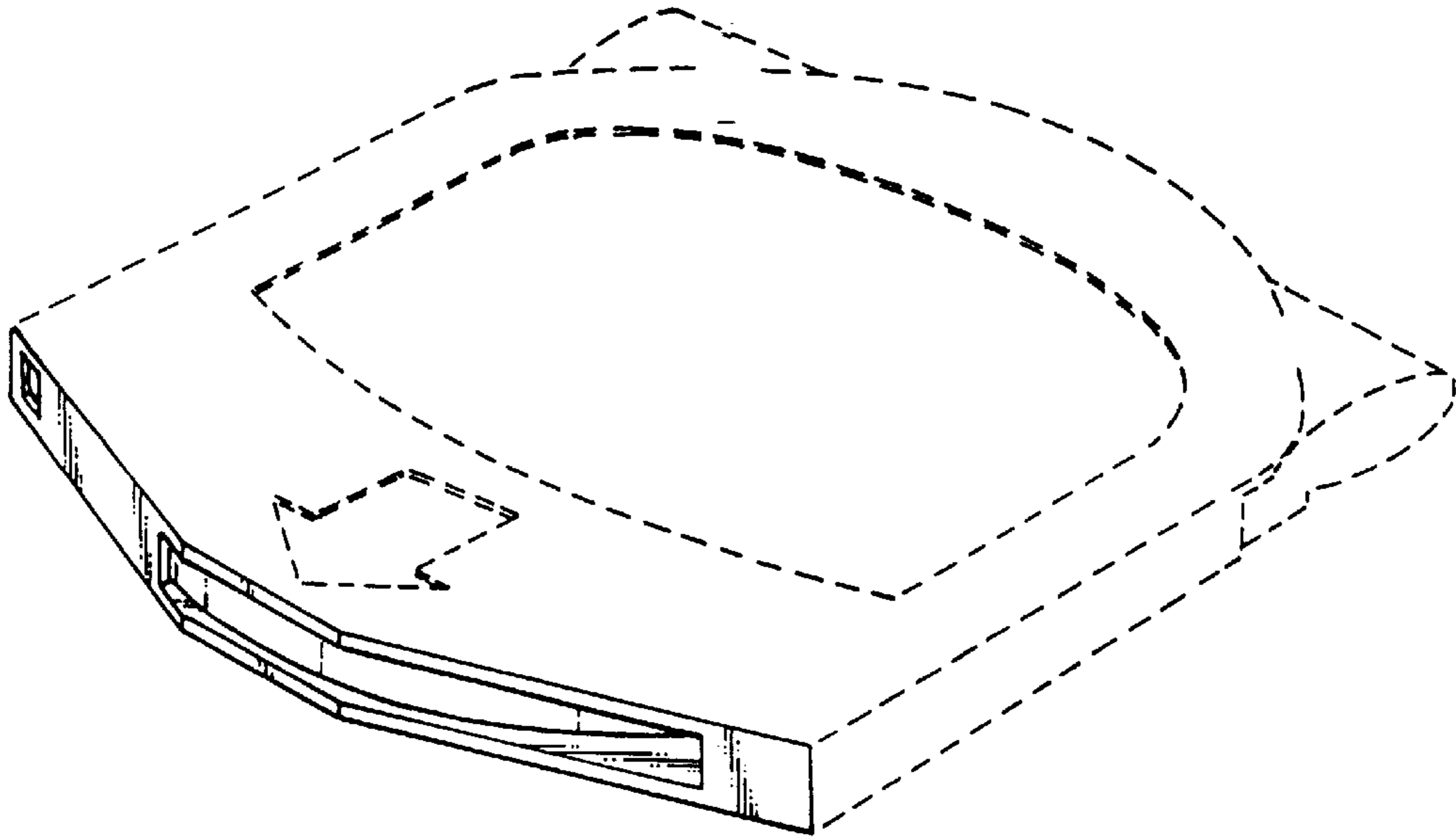


FIG. 1.



FIG. 2.



FIG. 4.

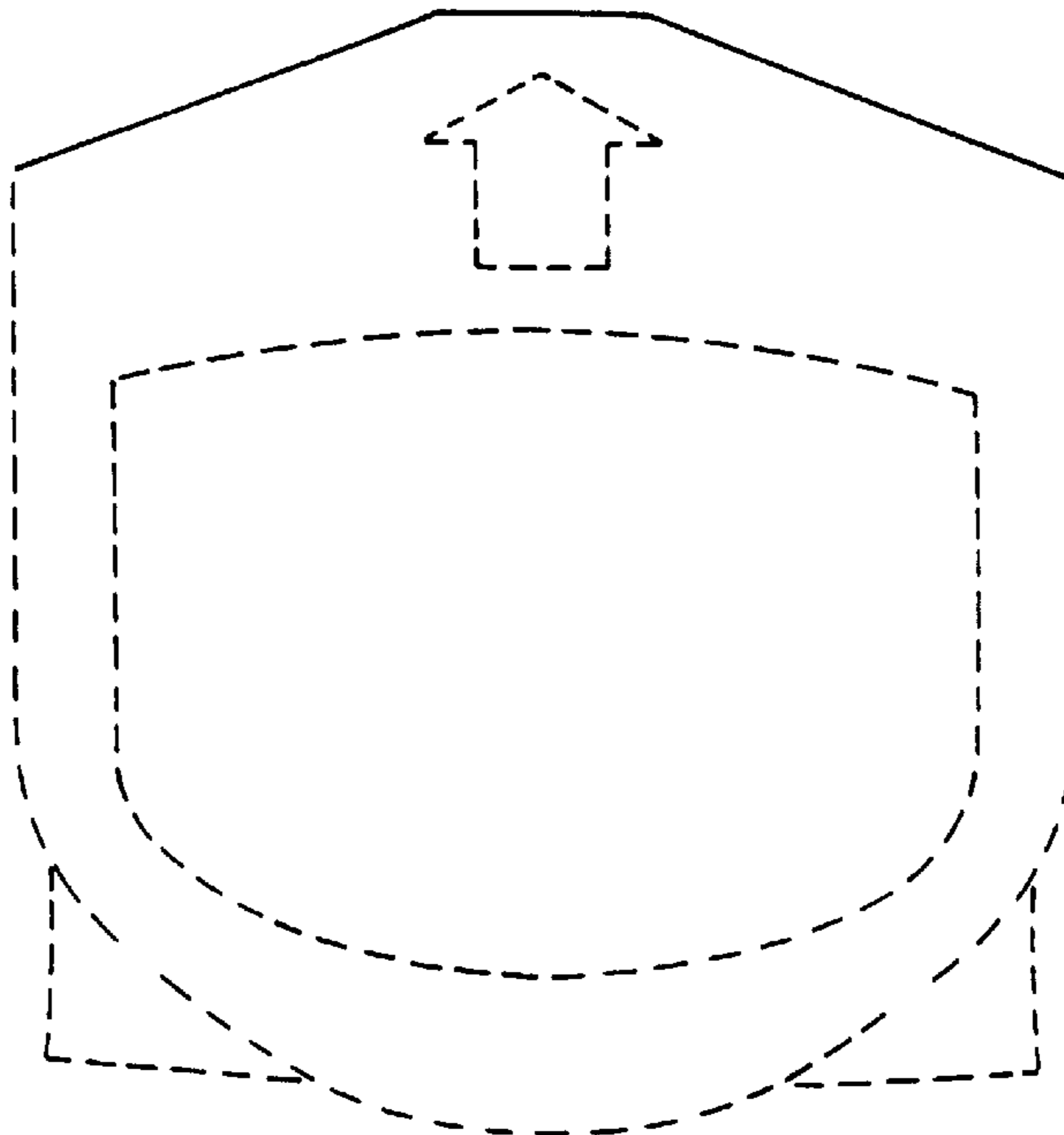


FIG. 3.



FIG. 5.

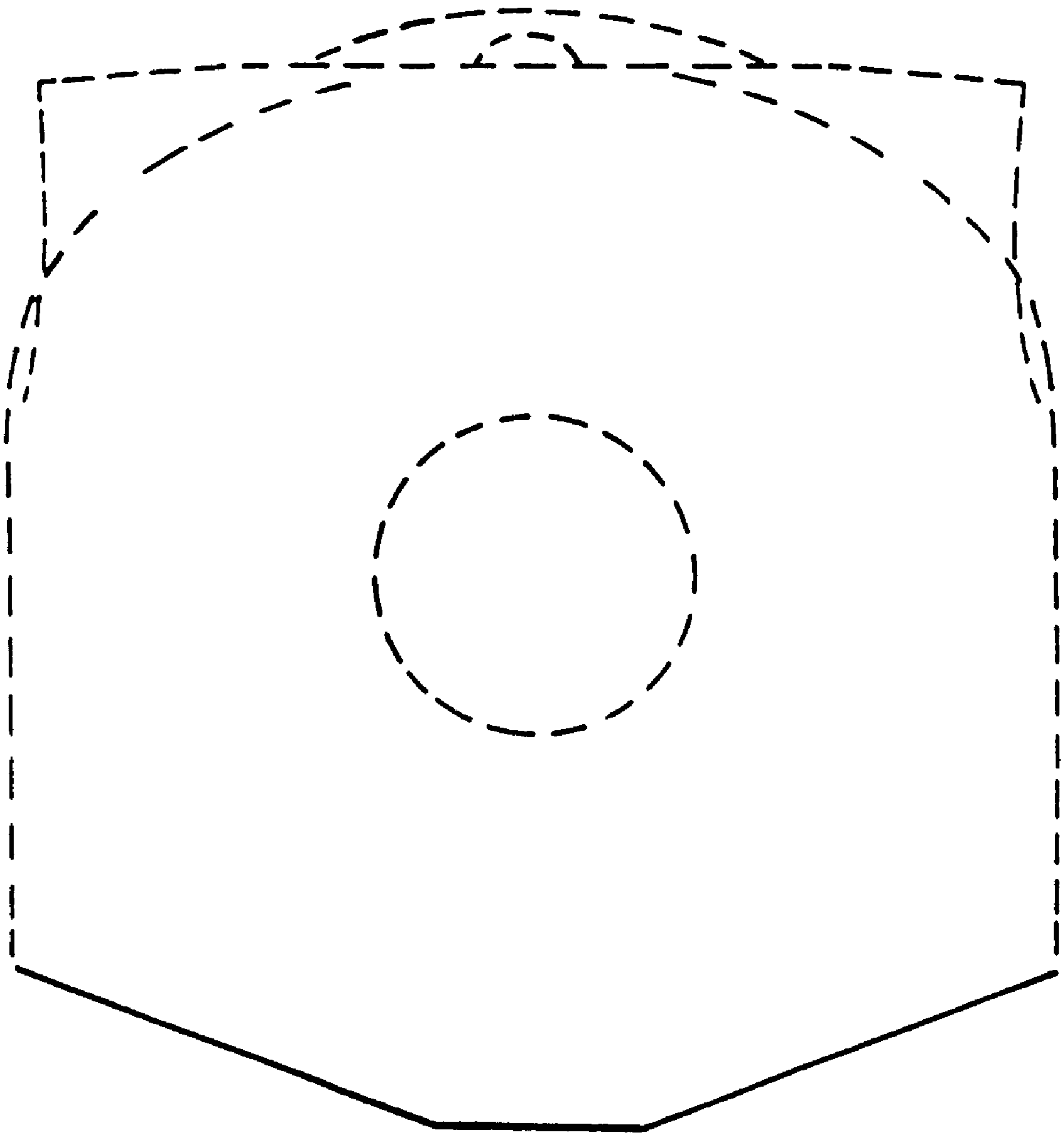


FIG. 6.