



US00D411532S

United States Patent [19] Sugino

[11] Patent Number: Des. 411,532

[45] Date of Patent: ** Jun. 29, 1999

[54] VIDEO GAME CARTRIDGE

[75] Inventor: Kenichi Sugino, Kyoto, Japan

[73] Assignee: Nintendo Co., Ltd., Japan

[**] Term: 14 Years

[21] Appl. No.: 29/087,615

[22] Filed: May 6, 1998

[30] Foreign Application Priority Data

Nov. 7, 1997 [JP] Japan 9-74245

[51] LOC (6) Cl. 14-99

[52] U.S. Cl. D14/121; D21/332

[58] Field of Search D21/324, 329,
D21/332, 333; D14/124, 114; 273/148 B;
463/43-47, 1, 30

[56] References Cited

U.S. PATENT DOCUMENTS

- D. 264,356 5/1982 Nagel D21/329
- D. 271,688 12/1983 Tajima et al. D14/121
- D. 292,399 10/1987 Yukawa .
- D. 294,020 2/1988 Yukawa .
- D. 312,081 11/1990 Yukawa D14/121
- D. 315,903 4/1991 Nakauma D14/121
- D. 318,273 7/1991 Takaichi D14/121
- D. 319,823 9/1991 Kojo .
- D. 320,203 9/1991 Ashida .
- D. 321,429 11/1991 Kojo .
- D. 330,370 10/1992 Tseng D14/121 X
- D. 343,833 2/1994 Barr et al. .

- D. 344,504 2/1994 Barr et al. .
- D. 344,725 3/1994 Barr et al. .
- D. 355,414 2/1995 Inoue et al. .
- D. 362,846 10/1995 Inoue et al. .
- D. 365,556 12/1995 Inoue et al. .
- D. 371,353 7/1996 Ashida et al. .
- D. 376,795 12/1996 Ashida .
- D. 377,488 1/1997 Ashida .
- D. 381,977 8/1977 Nagata et al. D14/121
- 4,865,321 9/1989 Nakagawa et al. 463/44
- 5,362,068 11/1994 Liu 463/44

OTHER PUBLICATIONS

PC Engine Duo-Rx Brochure, 1994.

Primary Examiner—Prabhakar G. Deshmukh
Attorney, Agent, or Firm—Nixon & Vanderhye P.C.

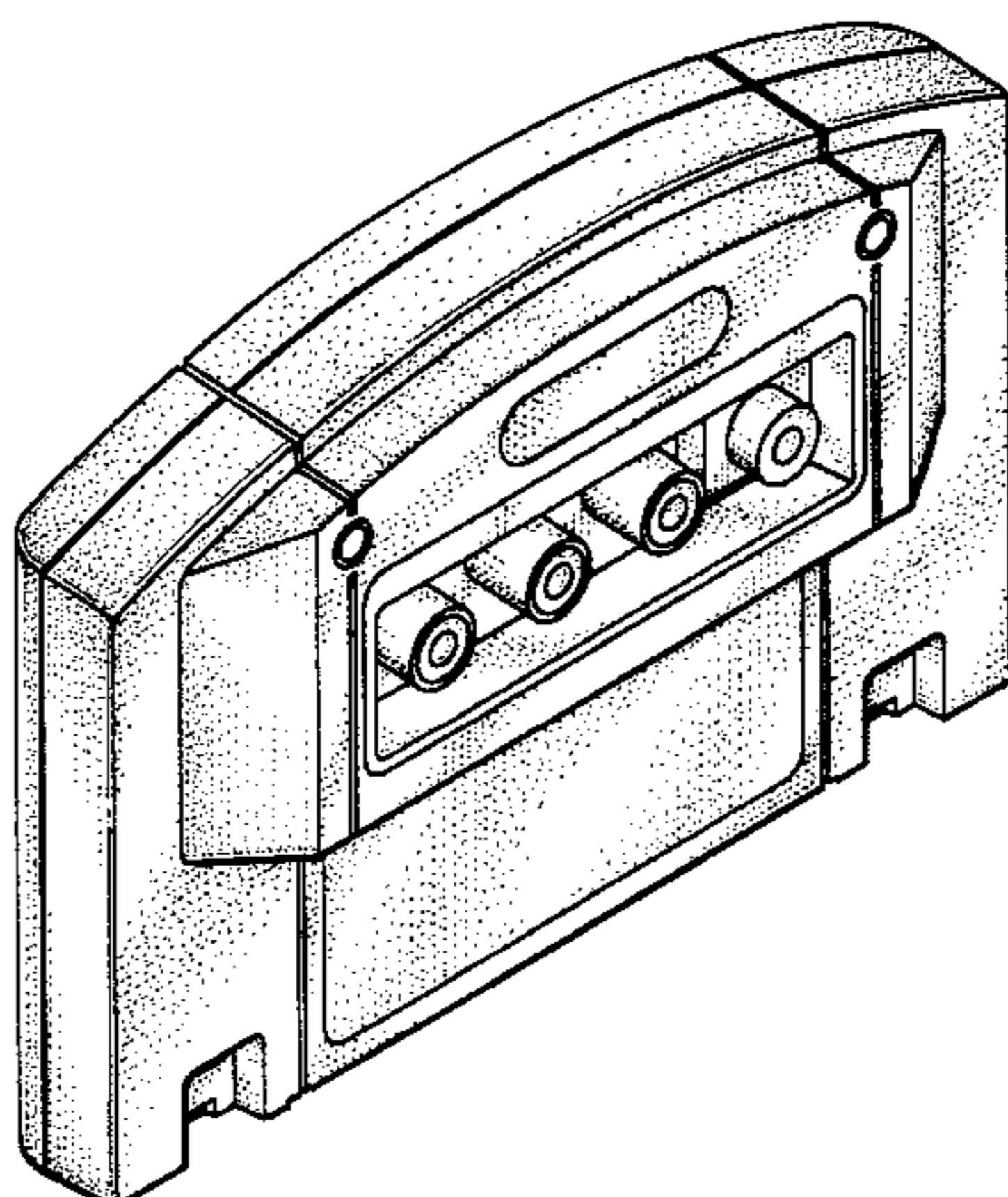
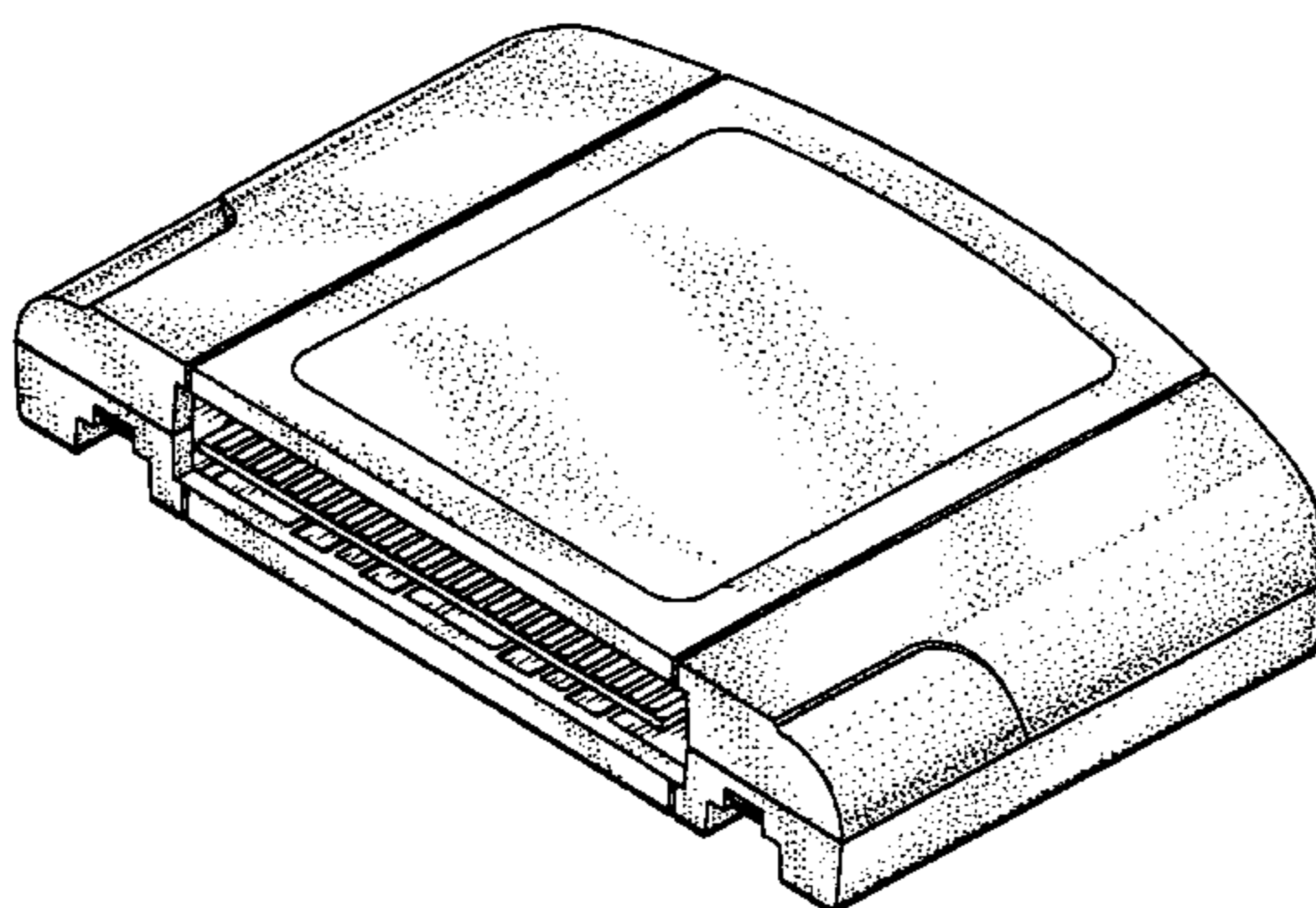
[57] CLAIM

The ornamental design for a “video game cartridge”, as shown and described.

DESCRIPTION

FIG. 1 is a top plan view of a video game cartridge in accordance with my new design;
 FIG. 2 is a front end elevation view thereof;
 FIG. 3 is a rear end elevation view;
 FIG. 4 is a right side elevation view thereof, the left side elevation view being identical thereto;
 FIG. 5 is a bottom plan view thereof;
 FIG. 6 is a right top front perspective view thereof; and,
 FIG. 7 is a right bottom rear perspective view thereof.

1 Claim, 5 Drawing Sheets



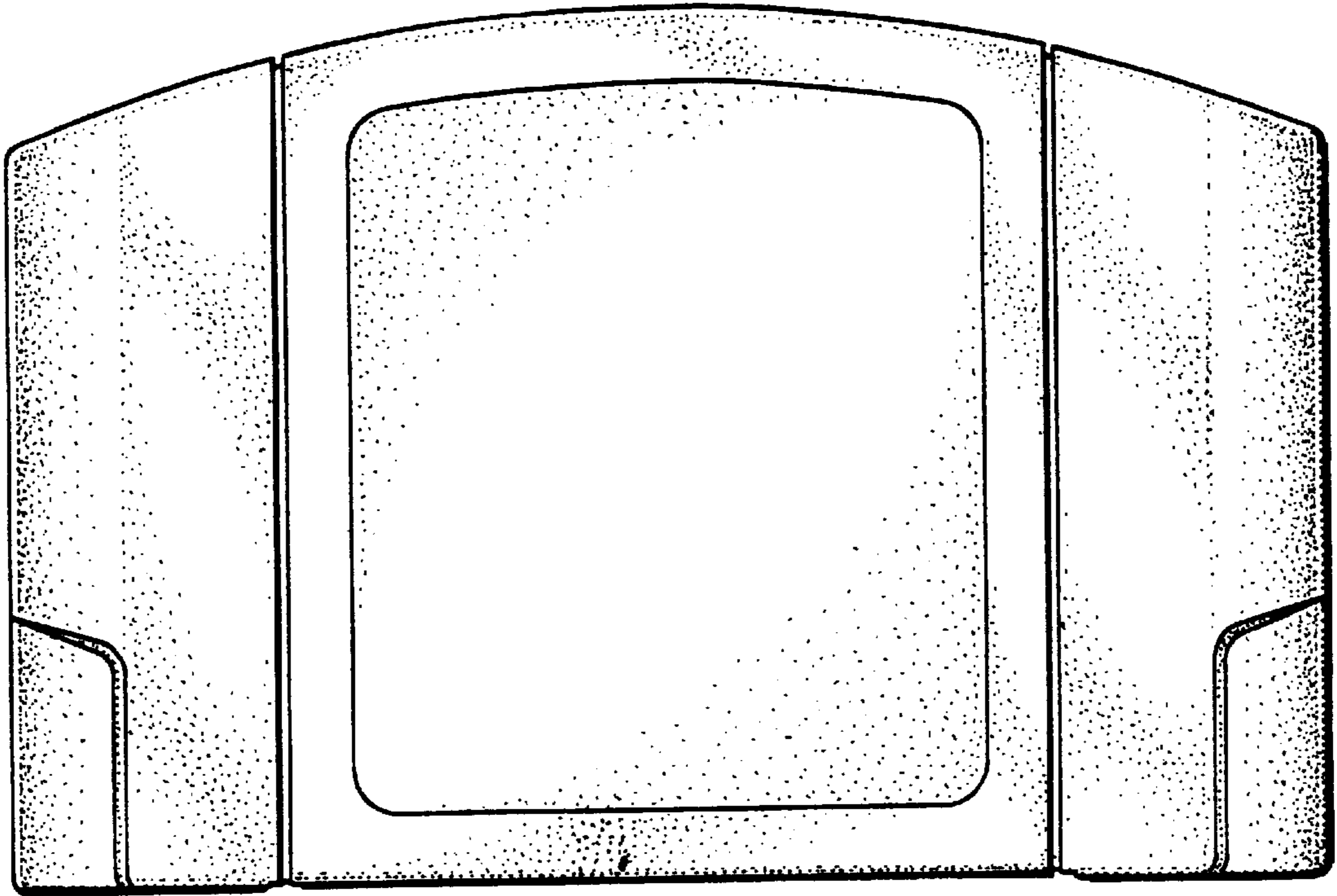


Fig. 1

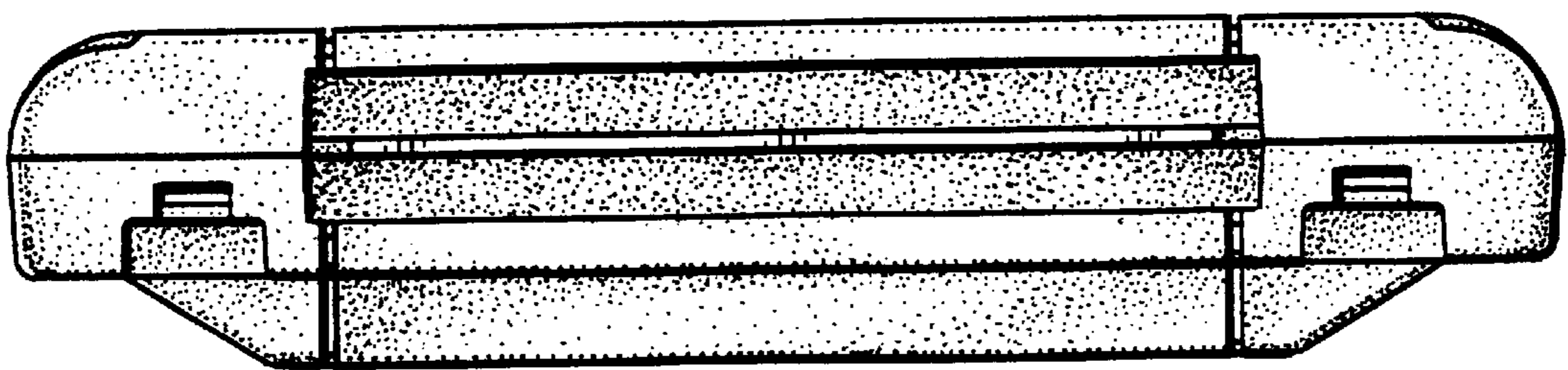


Fig. 2

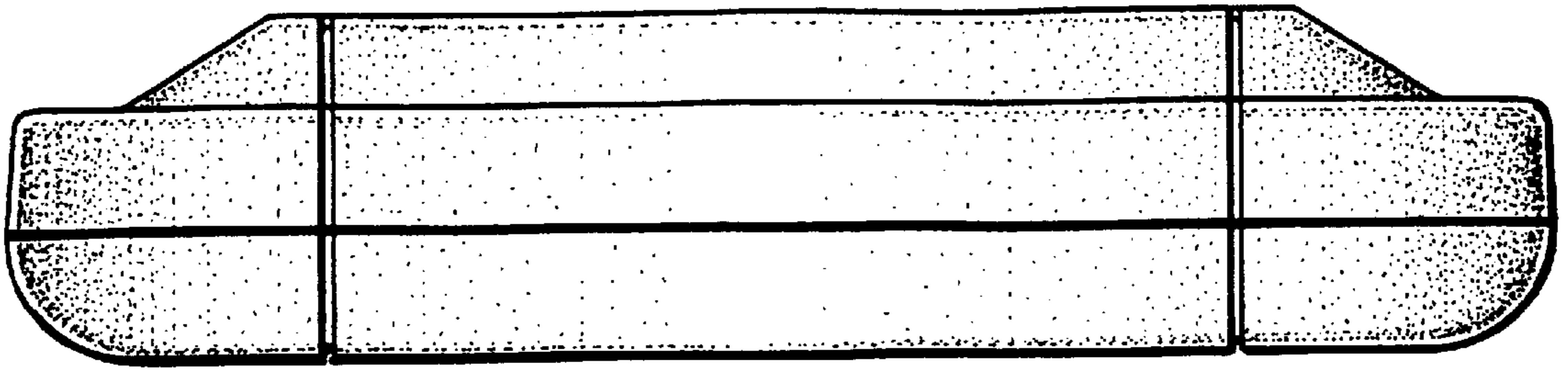


Fig. 3

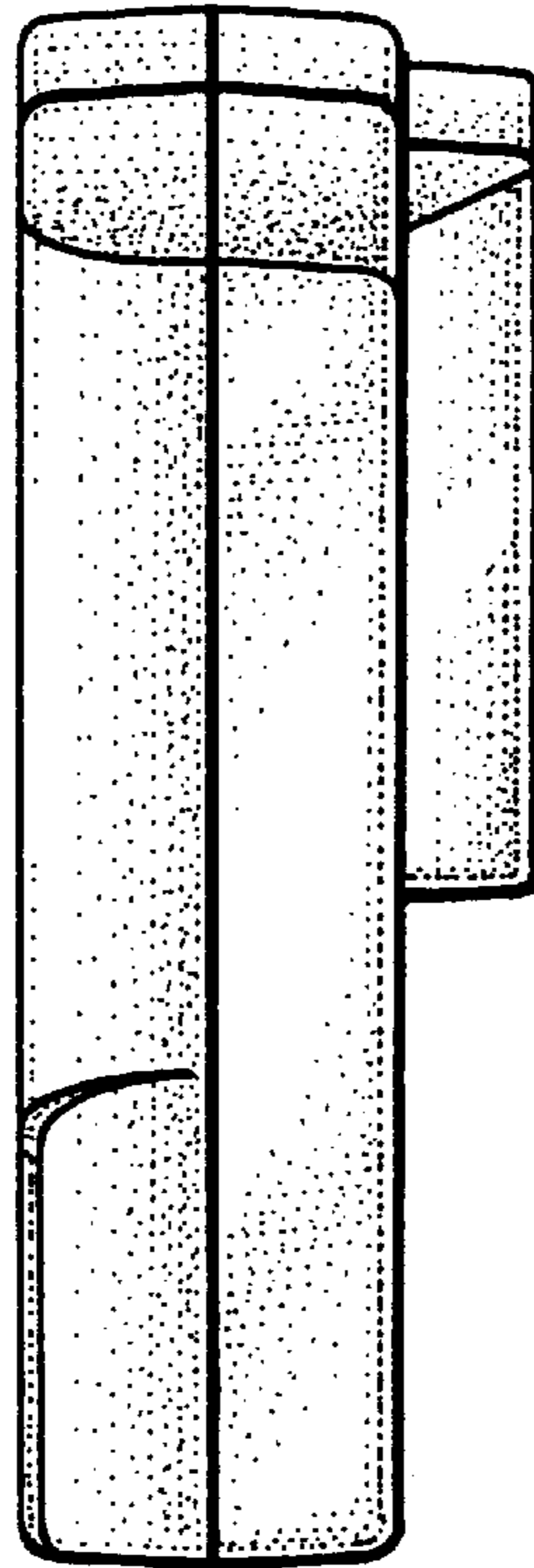


Fig. 4

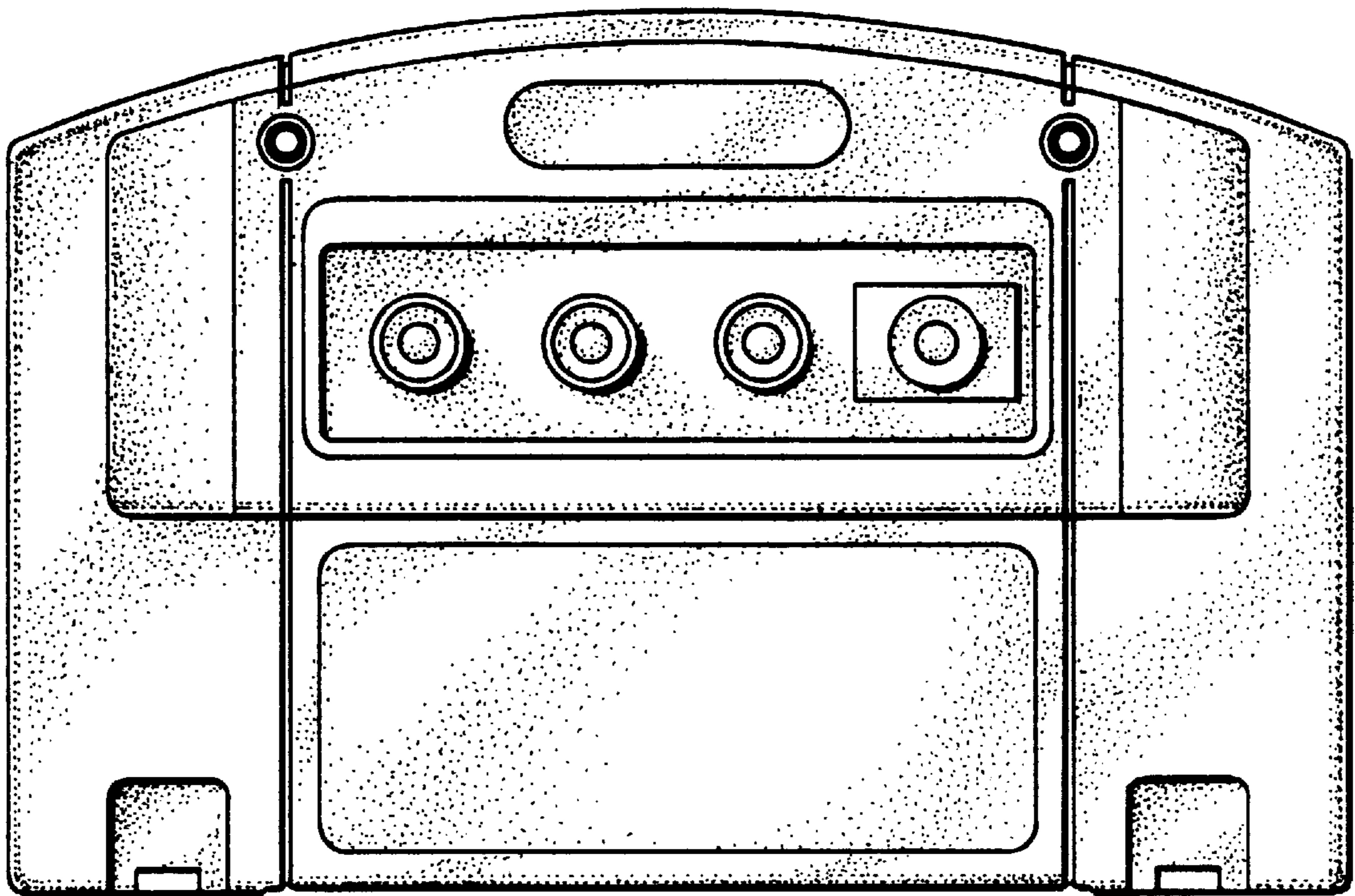


Fig. 5

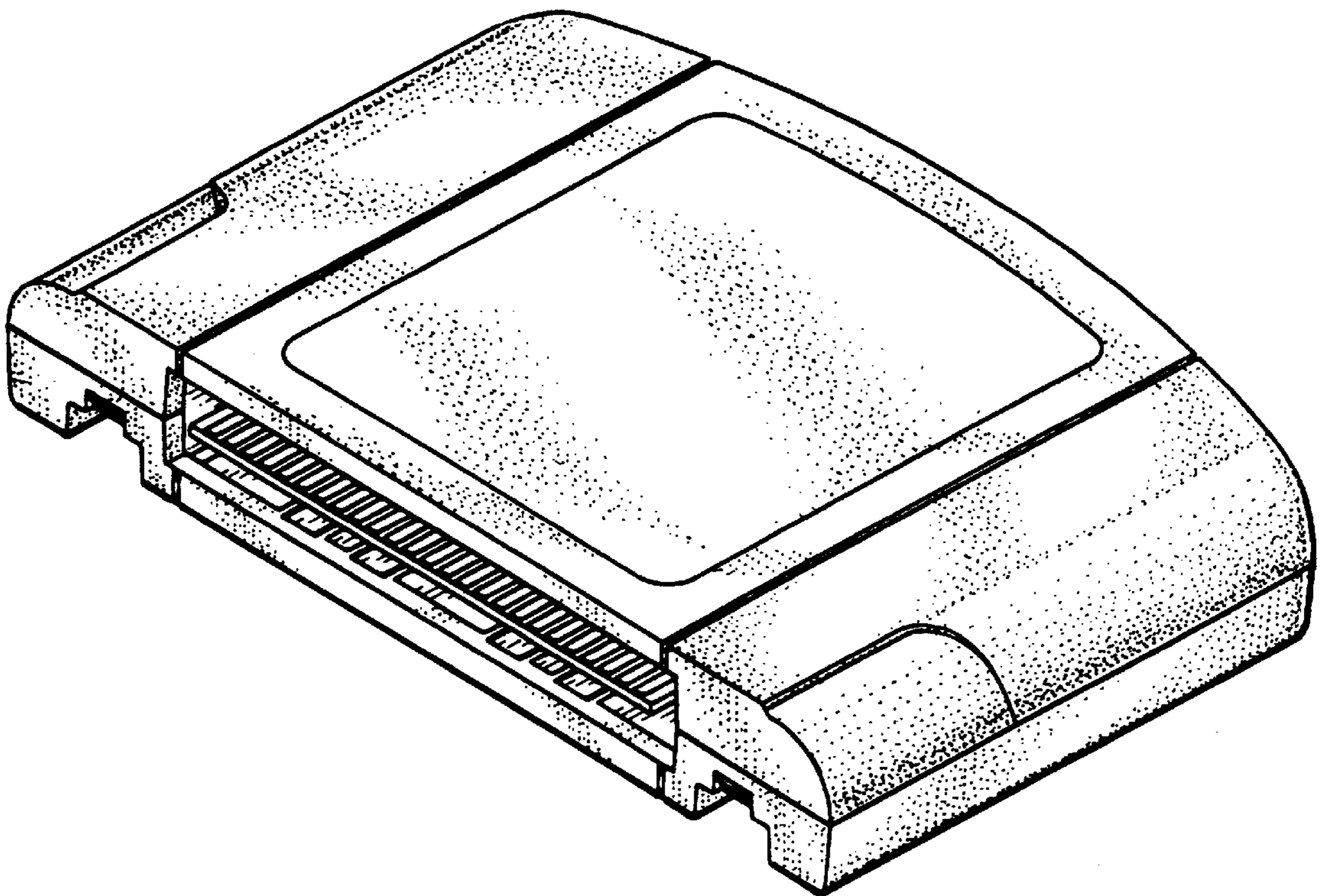


Fig. 6

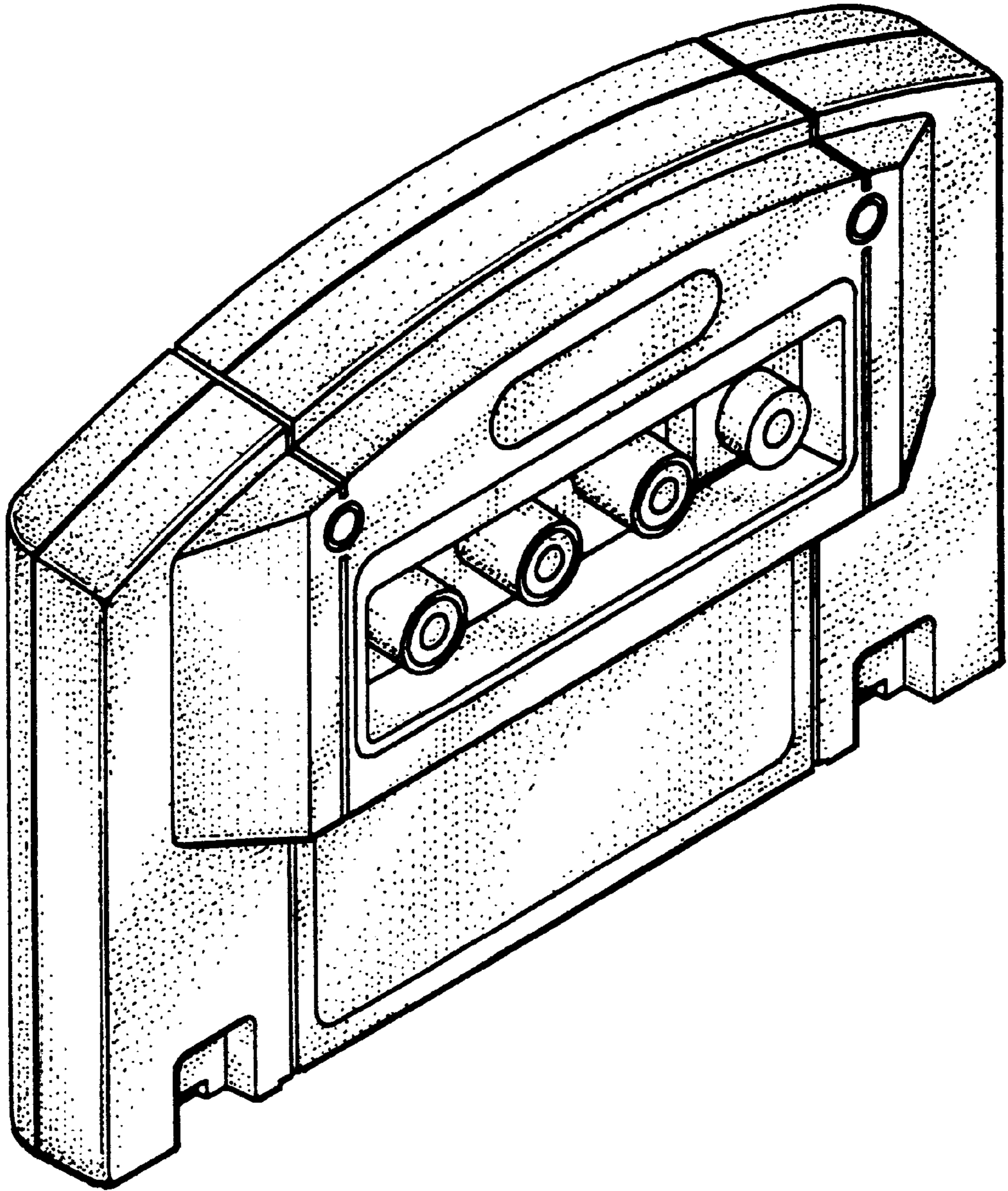


Fig. 7