



US00D411525S

United States Patent [19] Franklin

[11] Patent Number: Des. 411,525

[45] Date of Patent: ** Jun. 29, 1999

[54] ERGONOMIC COMPUTER MOUSE

[75] Inventor: William F. Franklin, Houston, Tex.

[73] Assignee: Key Solutions, Inc., Houston, Tex.

[**] Term: 14 Years

[21] Appl. No.: 29/087,584

[22] Filed: May 6, 1998

[51] LOC (6) Cl. 14-02

[52] U.S. Cl. D14/114

[58] Field of Search D14/100, 114,
D14/117.1-117.9; D13/156; D21/385, 333;
200/5 R, 5 A, 6 R, 6 A; 273/148 B; 345/156-67;
74/471 XY; 463/36-39

[56] **References Cited**

U.S. PATENT DOCUMENTS

- D. 346,373 4/1994 Grant D14/114
- D. 347,628 6/1994 Ashmun et al. D14/114
- D. 376,140 12/1996 Schultz D14/114

- D. 385,863 11/1997 Tseng D14/114
- D. 389,821 1/1998 Martella D14/114
- D. 391,944 3/1998 Han D14/114
- D. 400,589 11/1998 Ham D14/114 X

Primary Examiner—M. H. Tung
Attorney, Agent, or Firm—Tim L. Burgess

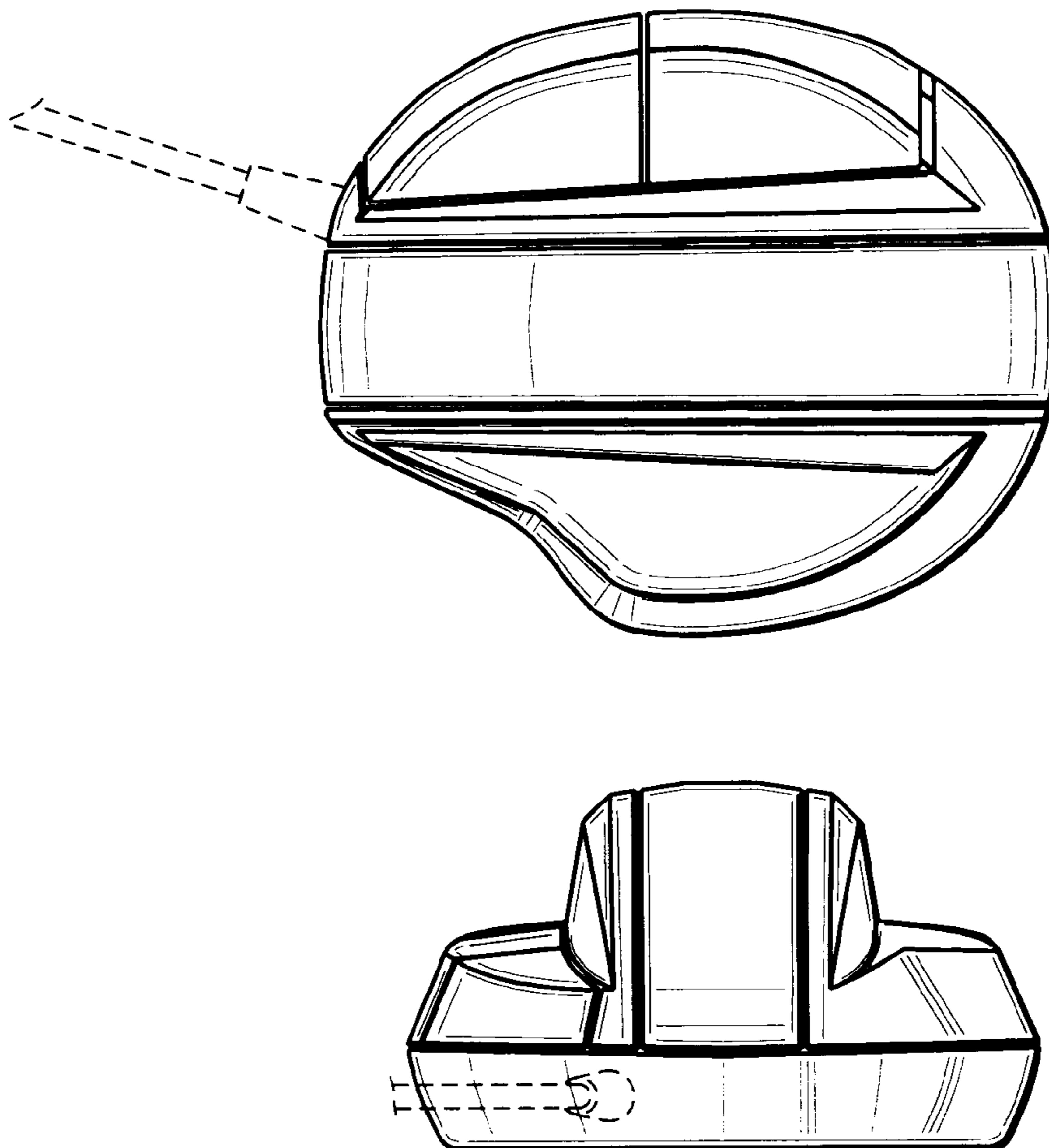
[57] **CLAIM**

I claim the ornamental design for an ergonomic computer mouse, as shown and described.

DESCRIPTION

FIG. 1 is a top view of an ergonomic computer mouse showing my new design;
FIG. 2 is a bottom view thereof;
FIG. 3 is a rear view thereof;
FIG. 4 is a front view thereof;
FIG. 5 is a left side view thereof; and,
FIG. 6 is a right side view thereof.
The broken line illustration in the drawings disclosure (FIGS. 1, 3-6) is not part of the design sought to be patented.

1 Claim, 1 Drawing Sheet



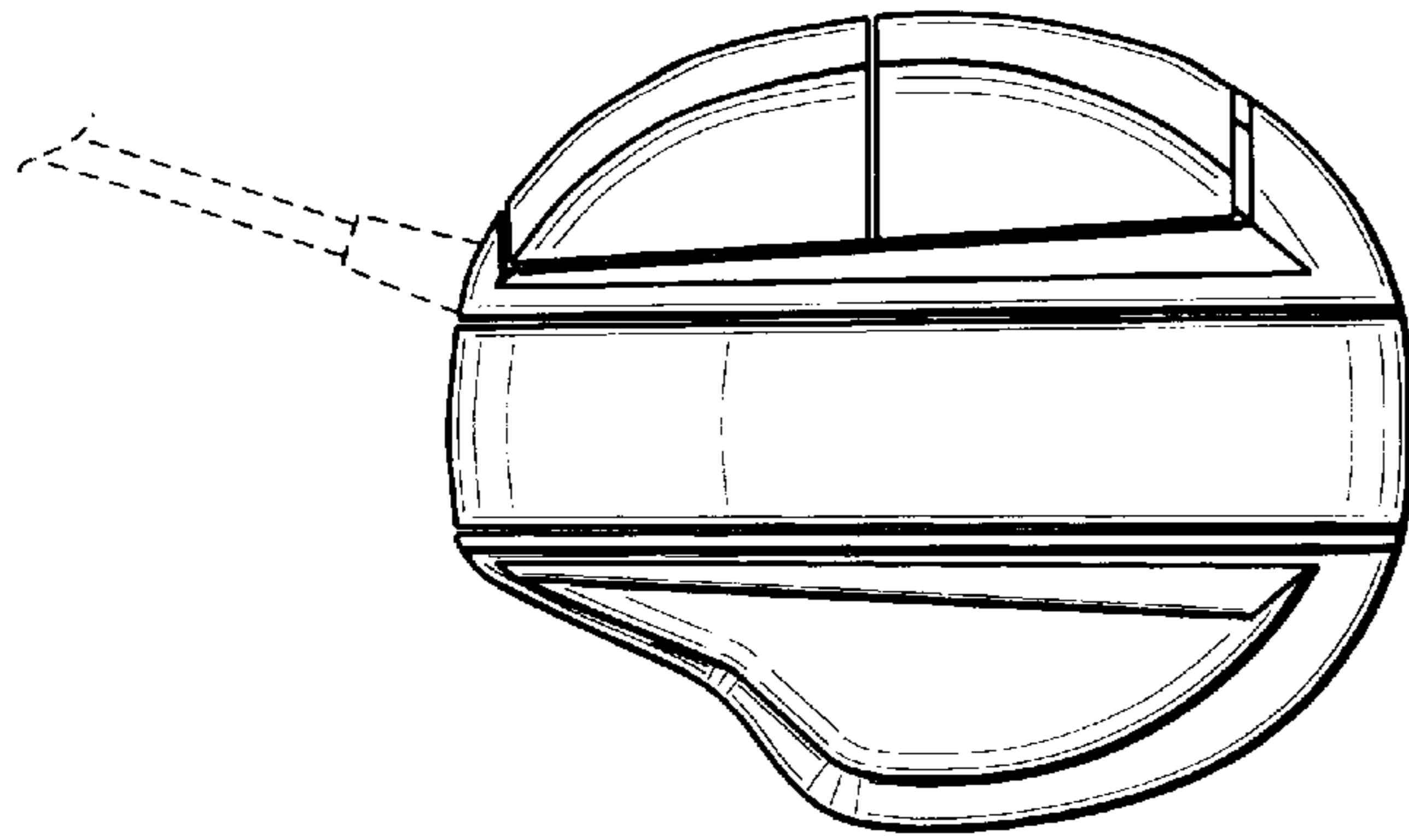


FIG. 1

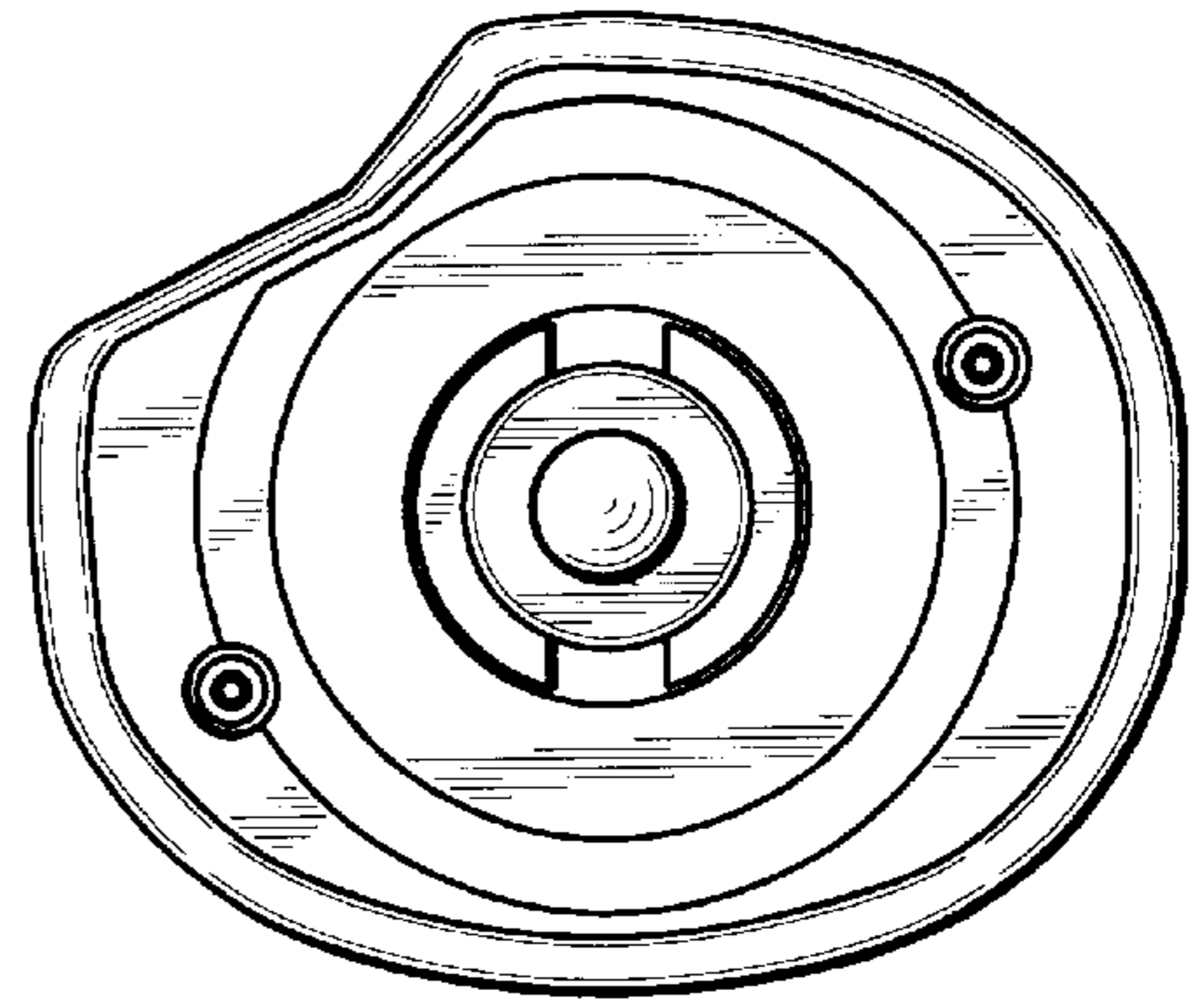


FIG. 2

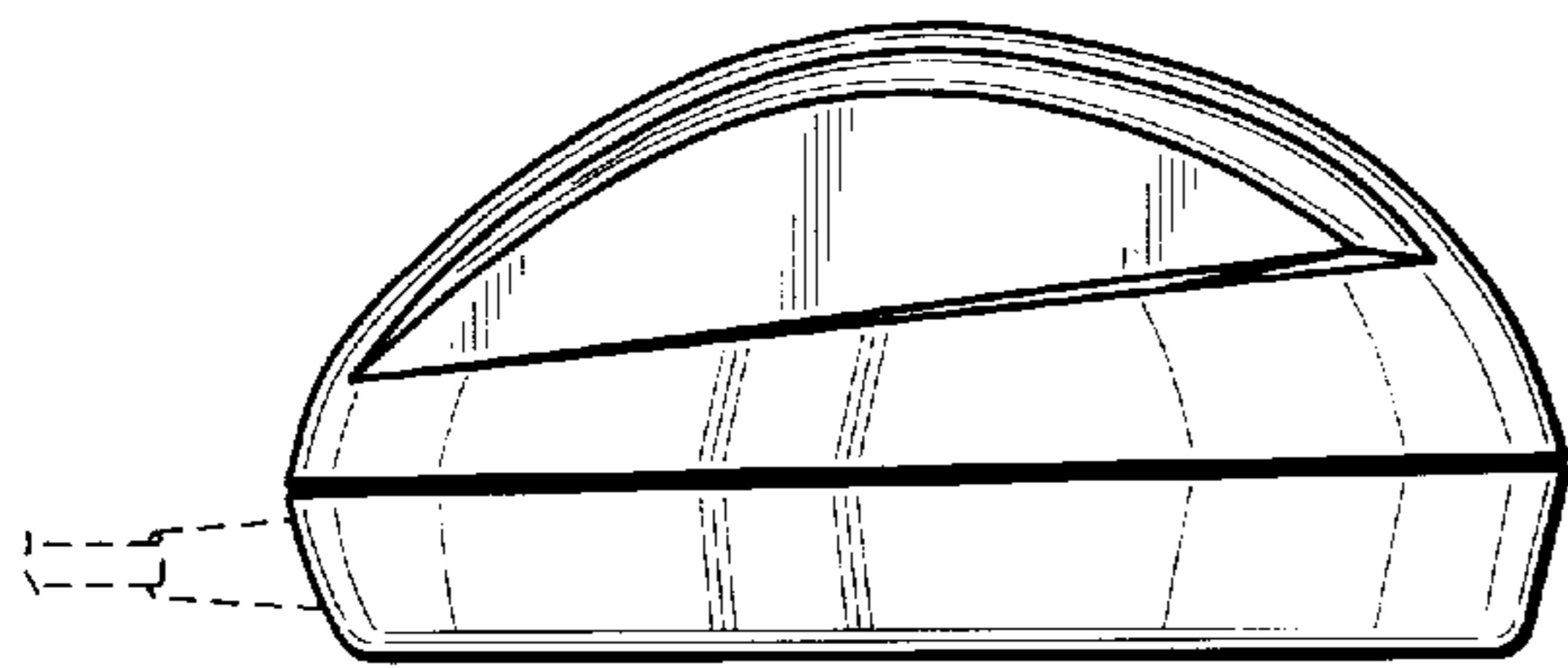


FIG. 3

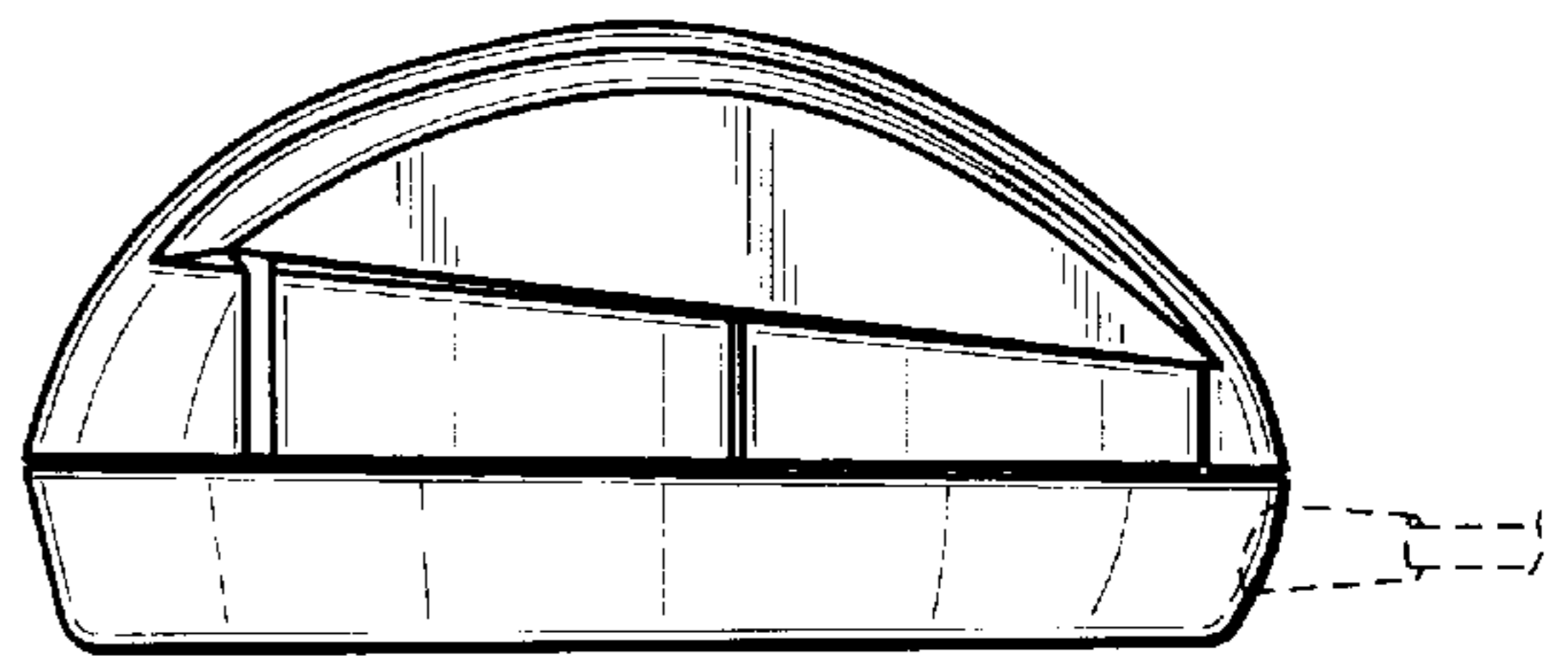


FIG. 4

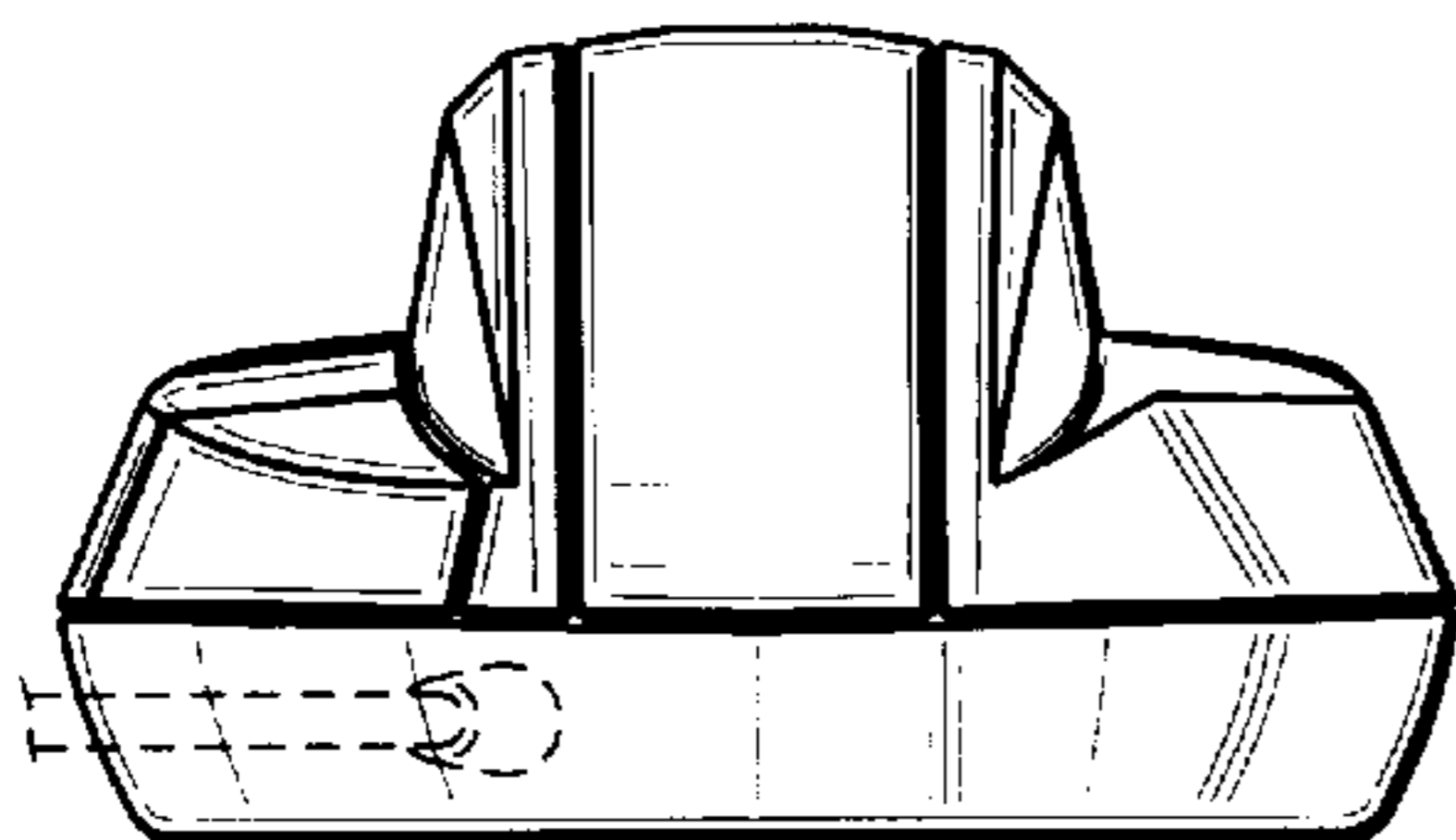


FIG. 5

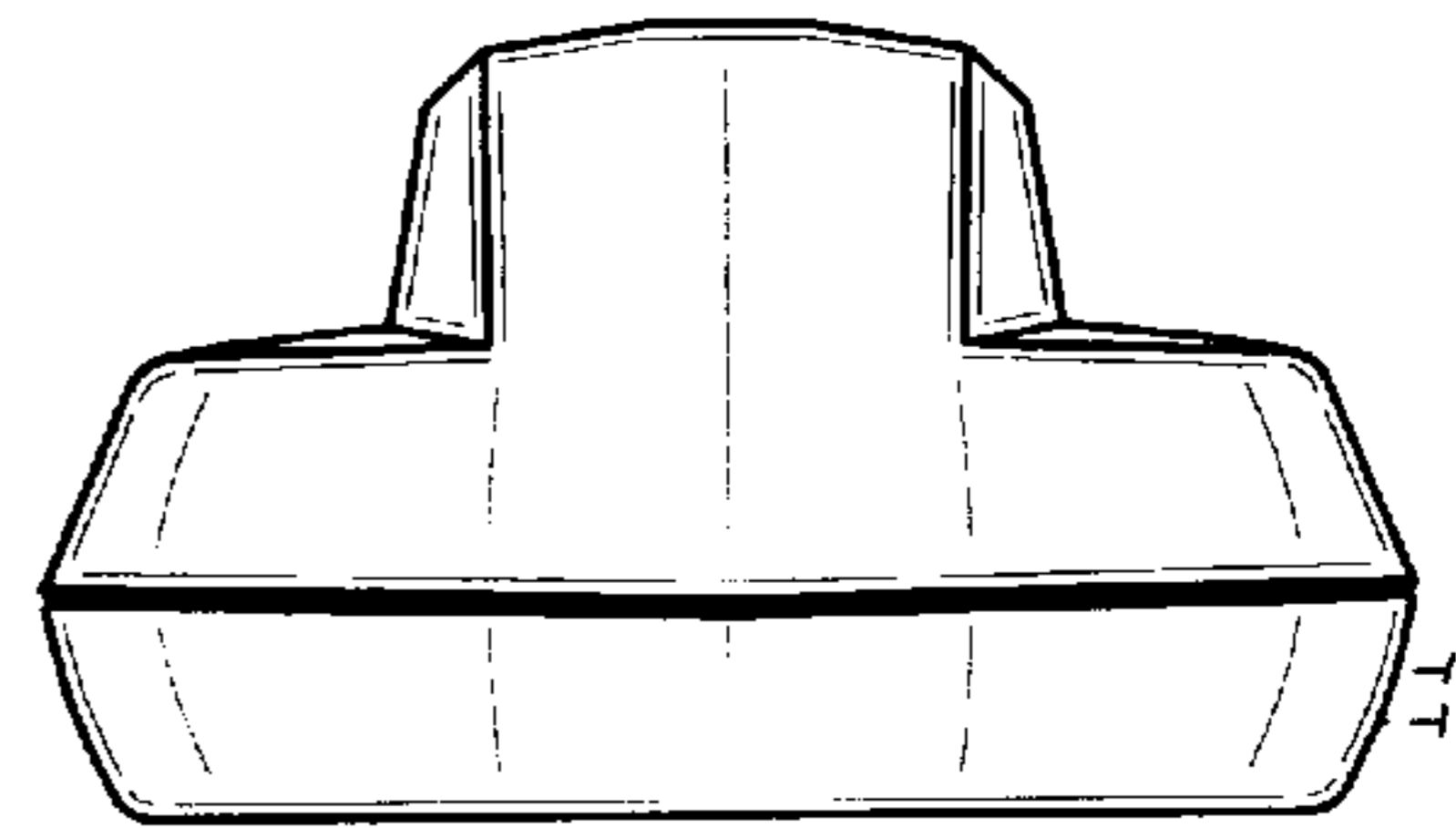


FIG. 6