



US00D411520S

**United States Patent** [19]  
**Iwakawa et al.**

[11] **Patent Number: Des. 411,520**  
[45] **Date of Patent: \*\* Jun. 29, 1999**

[54] **IMAGE SCANNER**

D. 376,586 12/1996 Shinano ..... D14/107  
D. 384,653 10/1997 Hasegawa ..... D14/107  
D. 386,157 11/1997 Hasegawa ..... D14/107

[75] Inventors: **Masato Iwakawa**, Tokyo; **Hajime Yamamoto**, Kanagawa; **Toshiaki Mizushima**, Tokyo, all of Japan

*Primary Examiner*—Freda Nunn  
*Attorney, Agent, or Firm*—Sughrue, Mion, Zinn, Macpeak & Seas, PLLC

[73] Assignee: **NEC Corporation**, Tokyo, Japan

[\*\*] Term: **14 Years**

[57] **CLAIM**

[21] Appl. No.: **29/086,735**

The ornamental design for an image scanner, as shown.

[22] Filed: **Apr. 20, 1998**

**DESCRIPTION**

[30] **Foreign Application Priority Data**

Oct. 20, 1997 [JP] Japan ..... 9-72092

FIG. 1 is a perspective view of the top, front and right side of an image scanner showing our new design;  
FIG. 2 is a front elevational view thereof;  
FIG. 3 is a rear elevational view thereof;  
FIG. 4 is a top plan view thereof;  
FIG. 5 is a bottom plan view thereof;  
FIG. 6 is a right side elevational view thereof; and,  
FIG. 7 is a left side elevational view thereof.

[51] **LOC (6) Cl.** ..... **14-02**

[52] **U.S. Cl.** ..... **D14/107; D16/208**

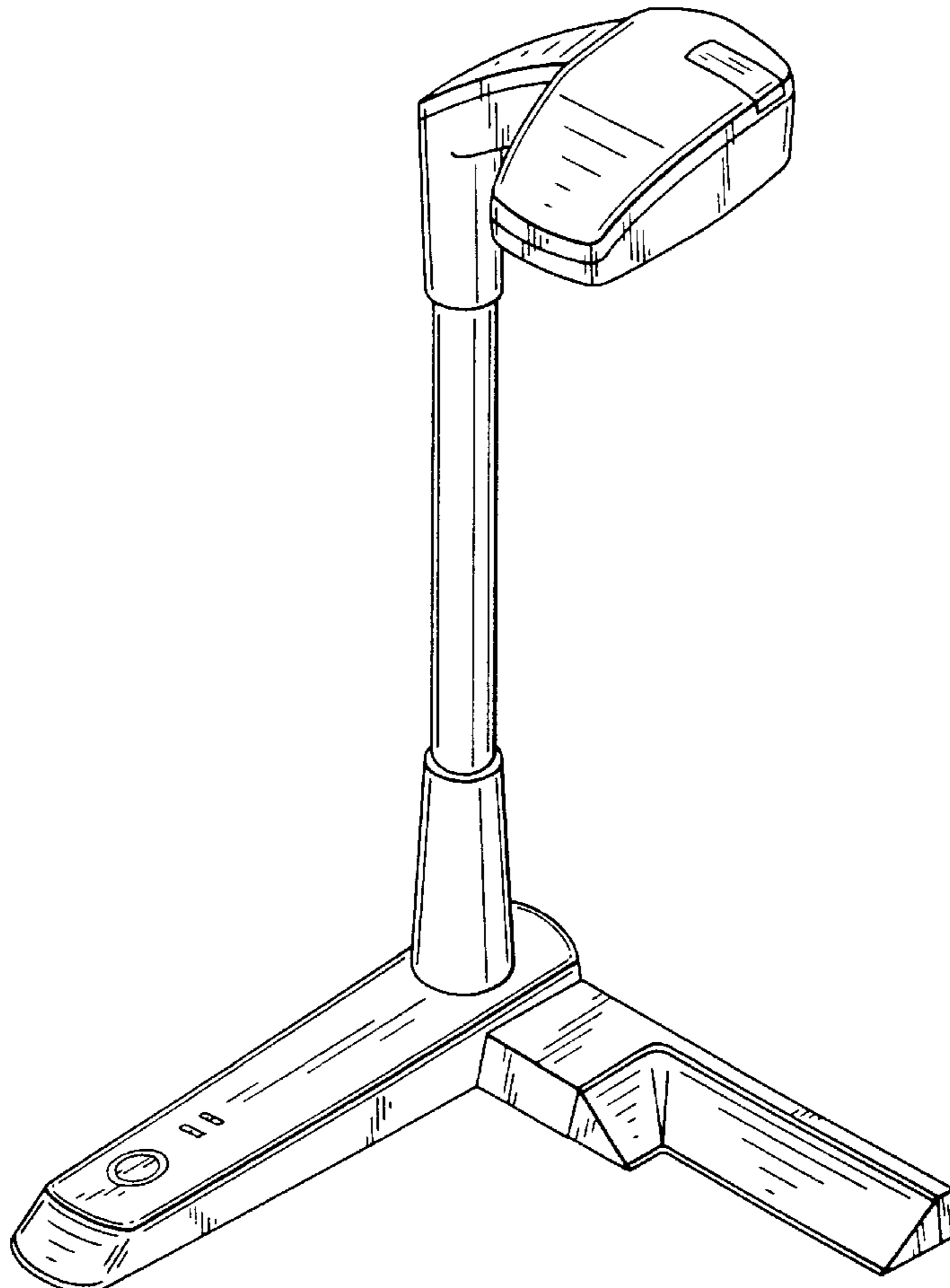
[58] **Field of Search** ..... D14/100, 105, D14/107; D16/208, 214, 223, 232; D18/36, 37, 39; 250/556; 235/454, 470, 476; 355/64, 65, 75, 81; 358/486

[56] **References Cited**

**U.S. PATENT DOCUMENTS**

D. 364,388 11/1995 Miyahara ..... D14/107

**1 Claim, 4 Drawing Sheets**



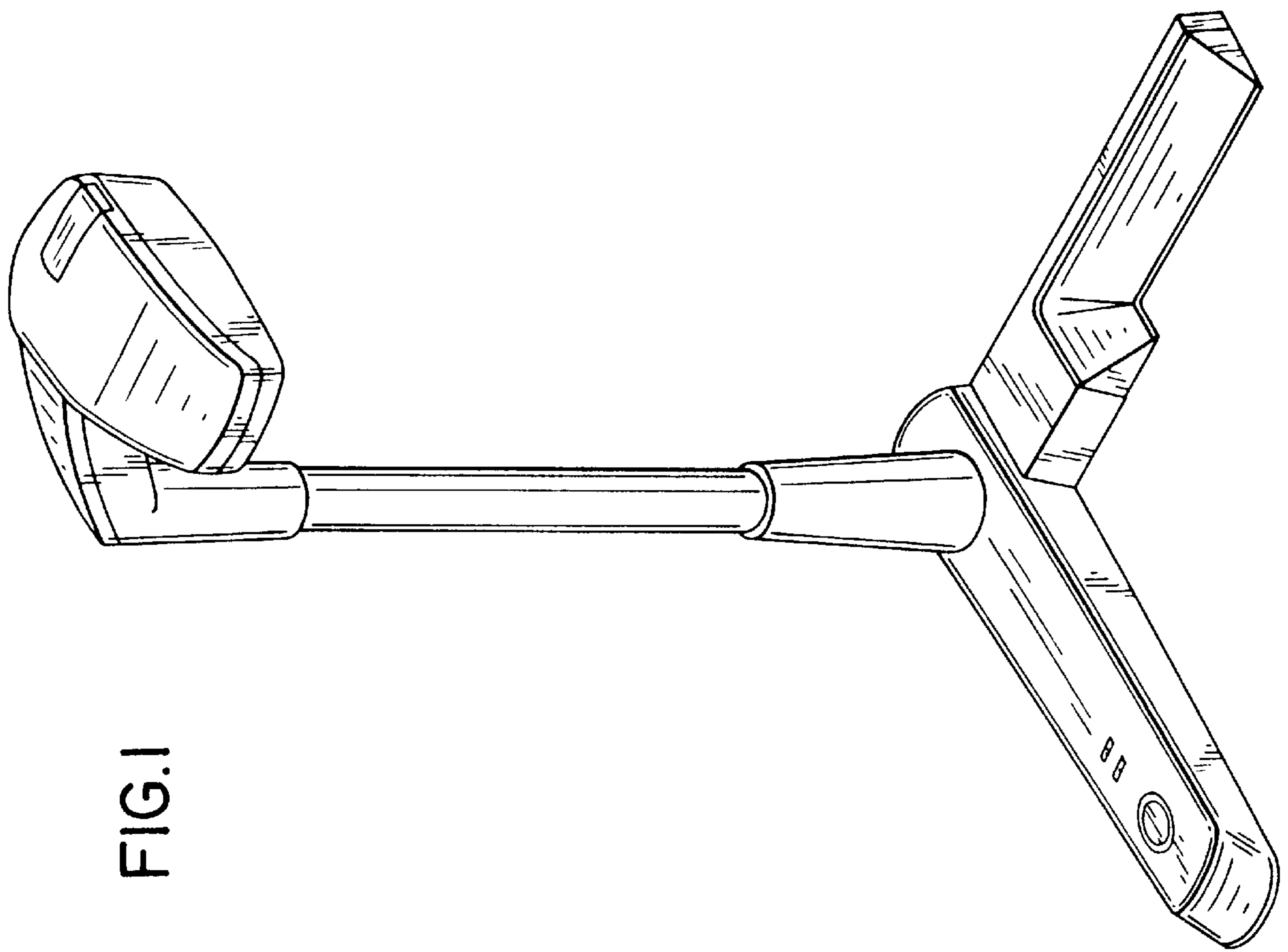


FIG. 1

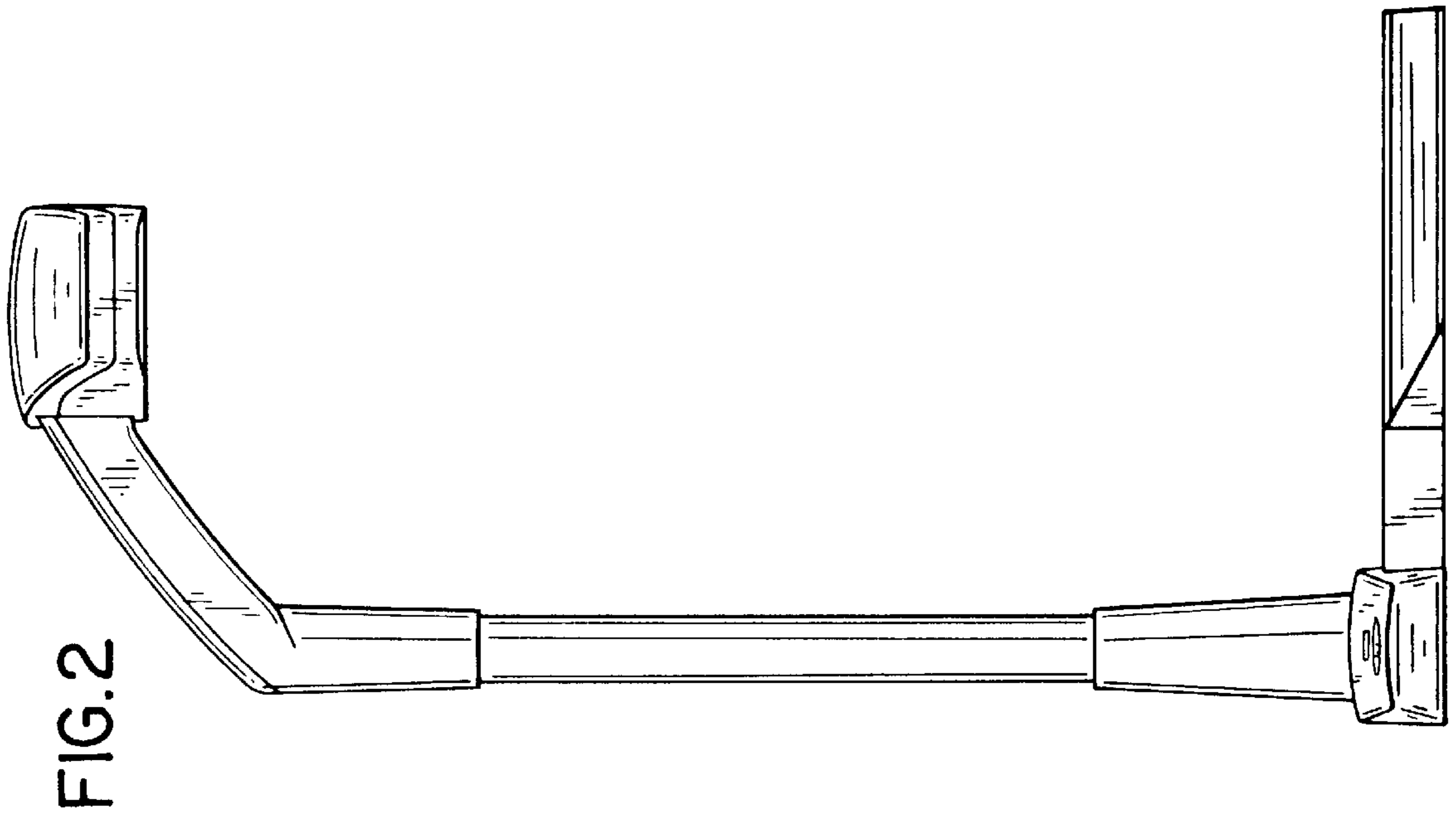
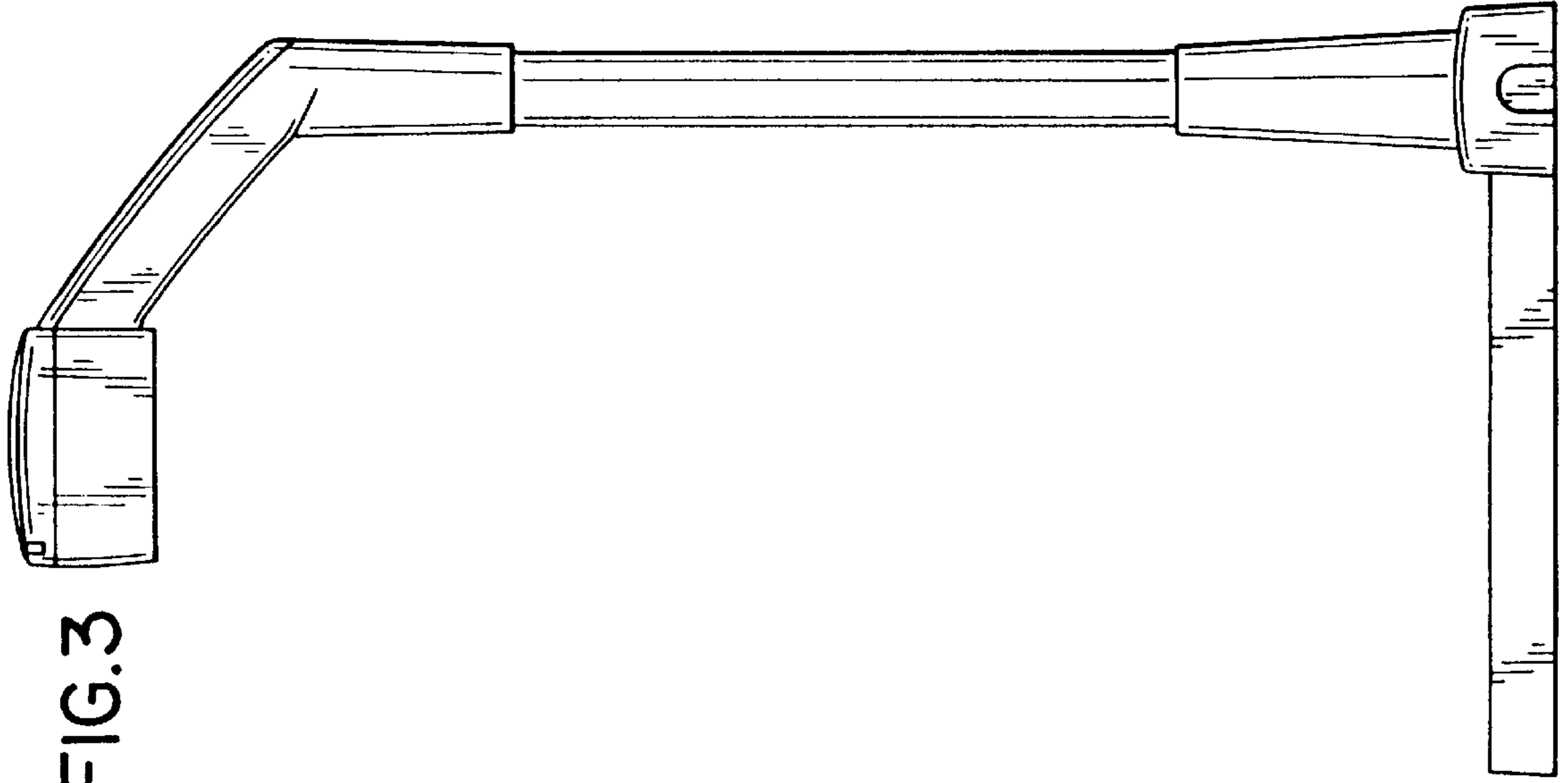


FIG. 5

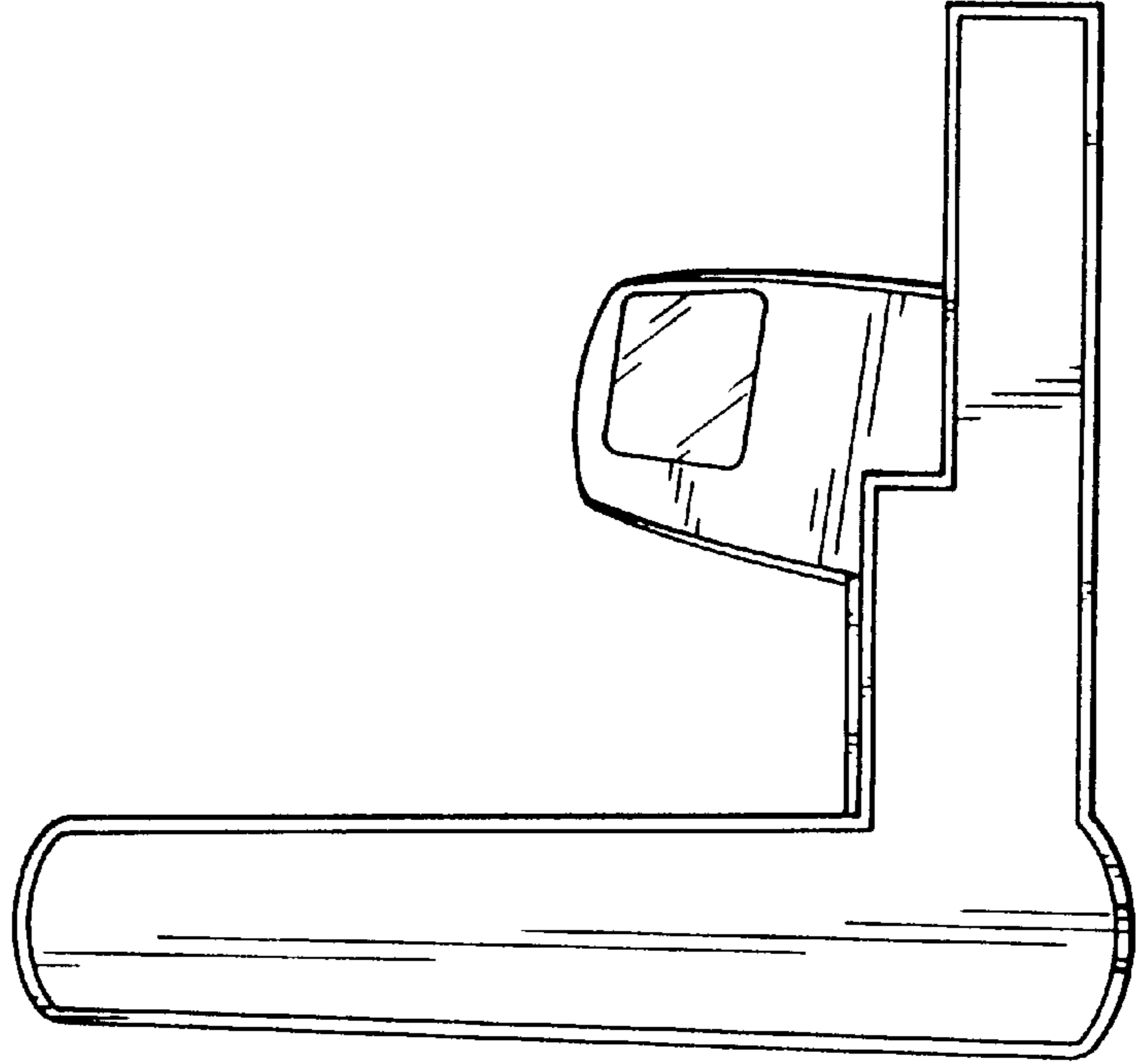
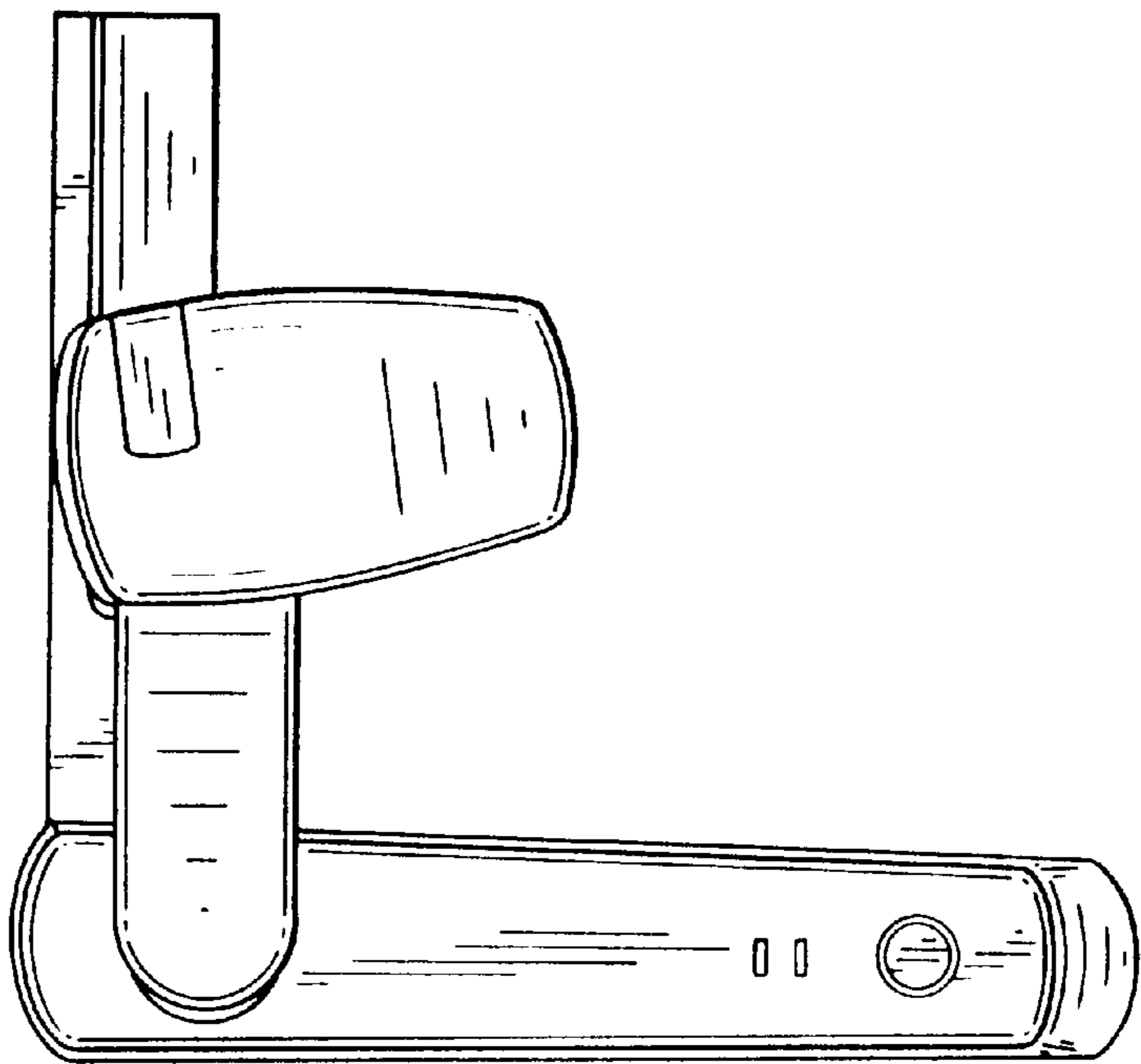


FIG. 4



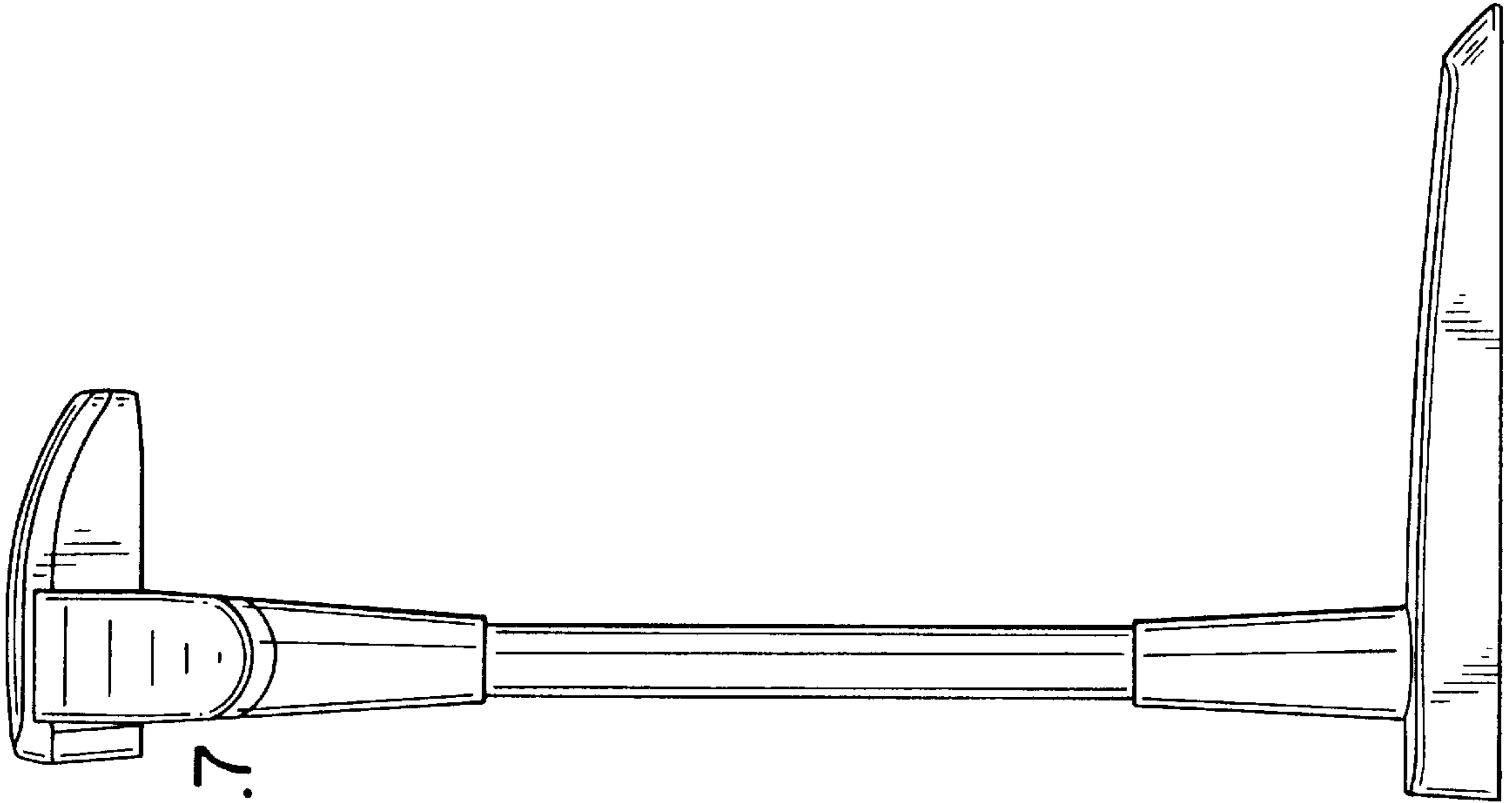


FIG. 7

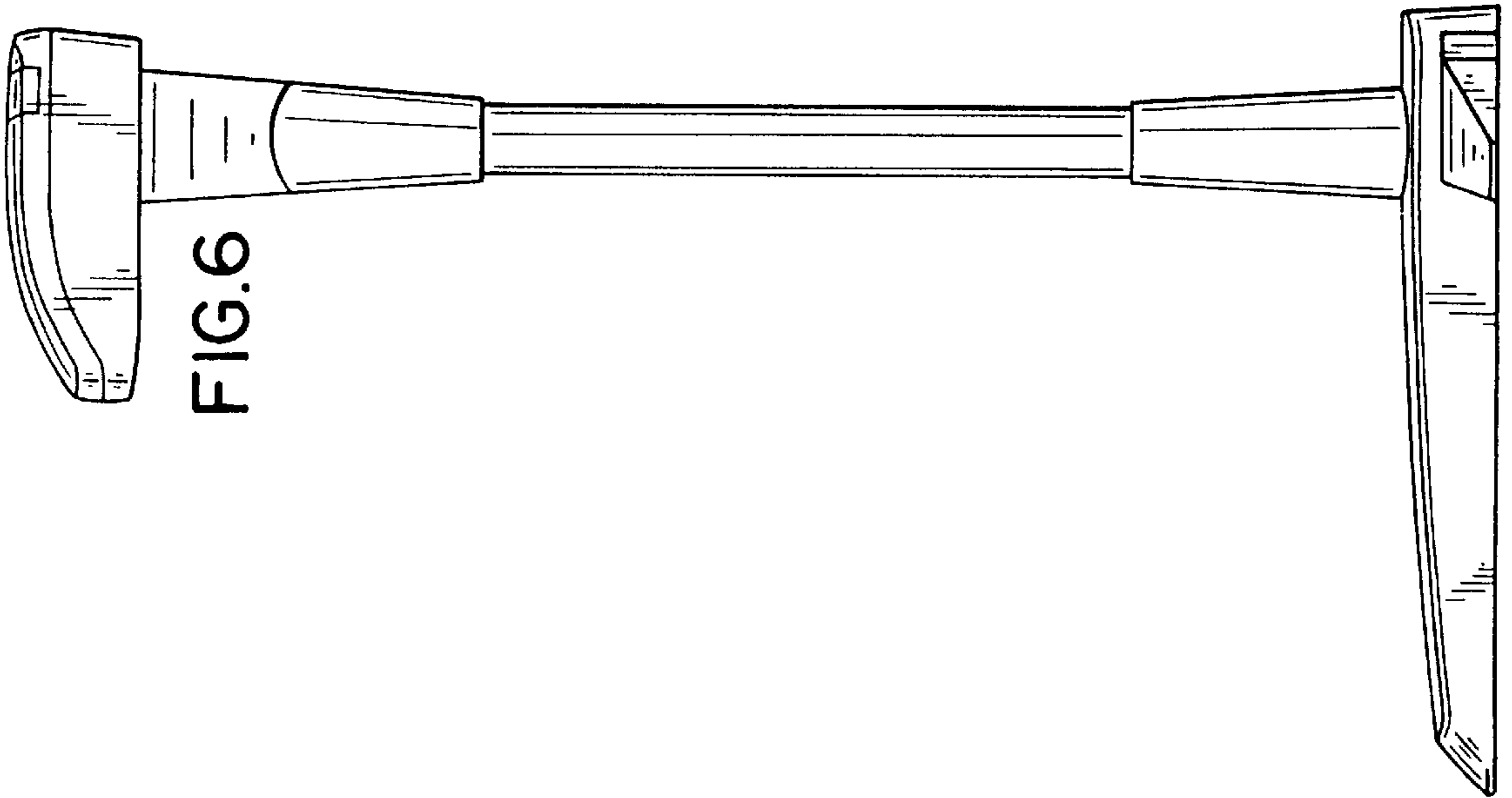


FIG. 6