



US00D411518S

United States Patent [19]
Shirasu et al.

[11] **Patent Number: Des. 411,518**
[45] **Date of Patent: ** Jun. 29, 1999**

[54] **COMPUTER**

[75] Inventors: **Noriyuki Shirasu; Hidebumi Arai; Hideto Iwamoto; Yoshio Satoh**, all of Tokyo, Japan

[73] Assignee: **Mitsubishi Denki Kabushiki Kaisha**, Tokyo, Japan

[**] Term: **14 Years**

[21] Appl. No.: **29/082,105**

[22] Filed: **Jan. 15, 1998**

[30] **Foreign Application Priority Data**

Jul. 18, 1997 [JP] Japan 9-62105
Jul. 18, 1997 [JP] Japan 9-62107

[51] **LOC (6) Cl.** **14-02**

[52] **U.S. Cl.** **D14/106**

[58] **Field of Search** D14/100, 101, D14/106, 113, 115, 124-127; D18/1, 2, 7; 235/145 A, 145 R; 345/104, 156, 168, 173, 87, 901-905; 341/22, 23; 361/680-686; 364/708.1; 400/486, 489

[56] **References Cited**

U.S. PATENT DOCUMENTS

D. 361,553 8/1995 De Luliis D14/106
D. 384,043 9/1997 Tamaki D14/106

OTHER PUBLICATIONS

Application Ser. No. 29/082,105, filed Jan. 15, 1998, status pending.
Application Ser. No. 29/082,190, filed Jan. 16, 1998, status pending.
Application Ser. No. 29/082,215, filed Jan. 16, 1998, status pending.
Application Ser. No. 29/082,203, filed Jan. 16, 1998, status pending.

Application Ser. No. 29/082,191, filed Jan. 16, 1998, status pending.

Application Ser. No. 29/083,894, filed Feb. 19, 1998, status pending.

Primary Examiner—Freda Nunn
Attorney, Agent, or Firm—Oblon, Spivak, McClelland, Maier & Neustadt, P.C.

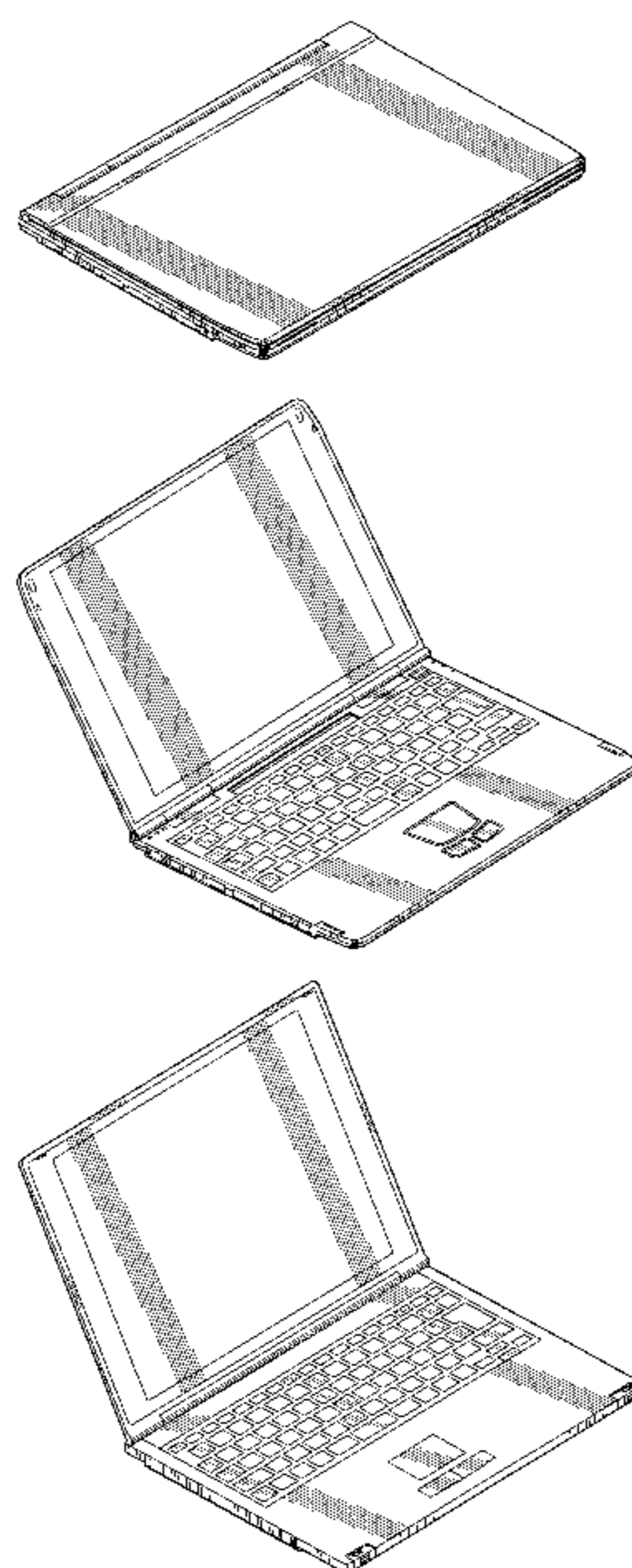
[57] **CLAIM**

The ornamental design for a computer, as shown and described.

DESCRIPTION

FIG. 1 is a front elevational view of computer embodying our new design;
FIG. 2 is a rear elevational view thereof;
FIG. 3 is a left side elevational view thereof;
FIG. 4 is a right side elevational view thereof;
FIG. 5 is a top plan view thereof;
FIG. 6 is a bottom plan view thereof;
FIG. 7 is a cross-sectional view thereof taken along lines 7—7 in FIG. 1;
FIG. 8 is a top, front and left side perspective view thereof with the lid closed;
FIG. 9 is a top, front and left side perspective view thereof with the lid open;
FIG. 10 is a front elevational view of a second embodiment of the computer embodying our new design;
FIG. 11 is a rear elevational view thereof;
FIG. 12 is a left side elevational view thereof;
FIG. 13 is a right side elevational view thereof;
FIG. 14 is a top plan view thereof;
FIG. 15 is a bottom plan view thereof;
FIG. 16 is a cross-sectional view thereof taken along line 16—16 in FIG. 10;
FIG. 17 is a top, front and left side perspective view thereof with the lid closed; and,
FIG. 18 is a top, front and left side perspective view thereof with the lid open.

1 Claim, 8 Drawing Sheets



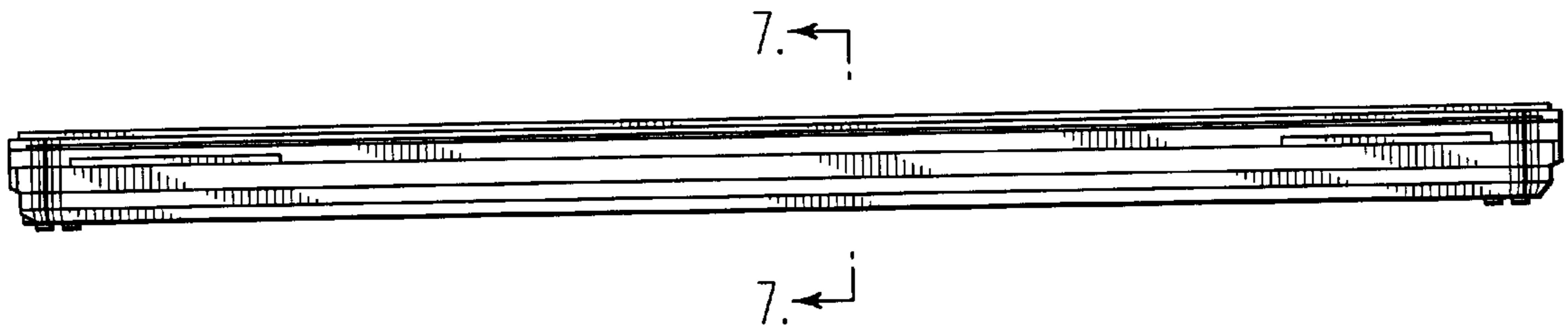


FIG. 1

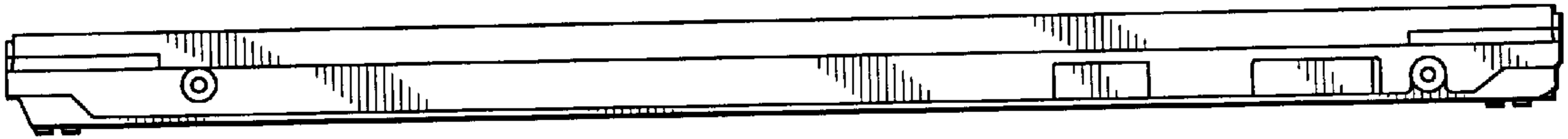


FIG. 2

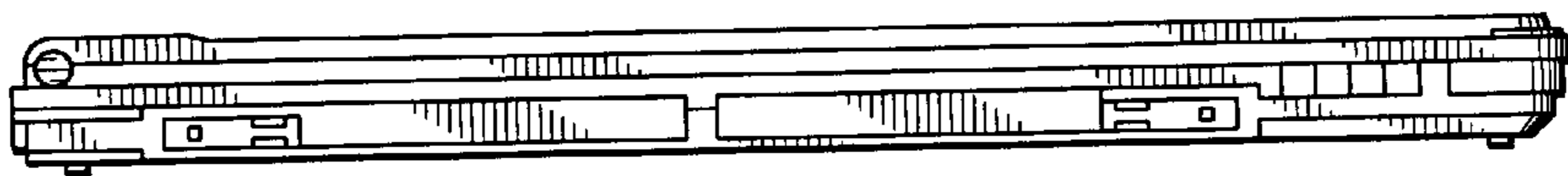


FIG. 3

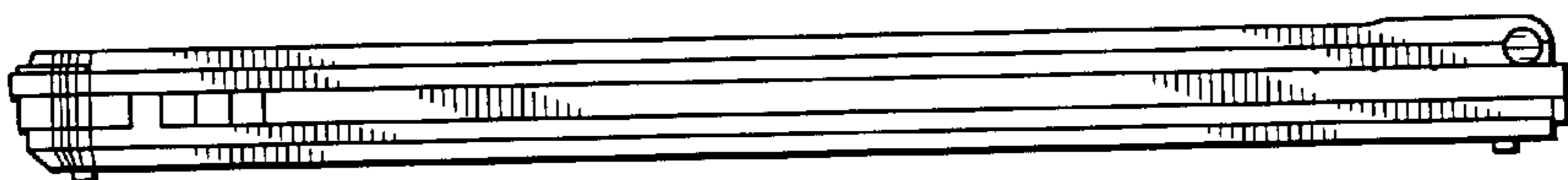


FIG. 4

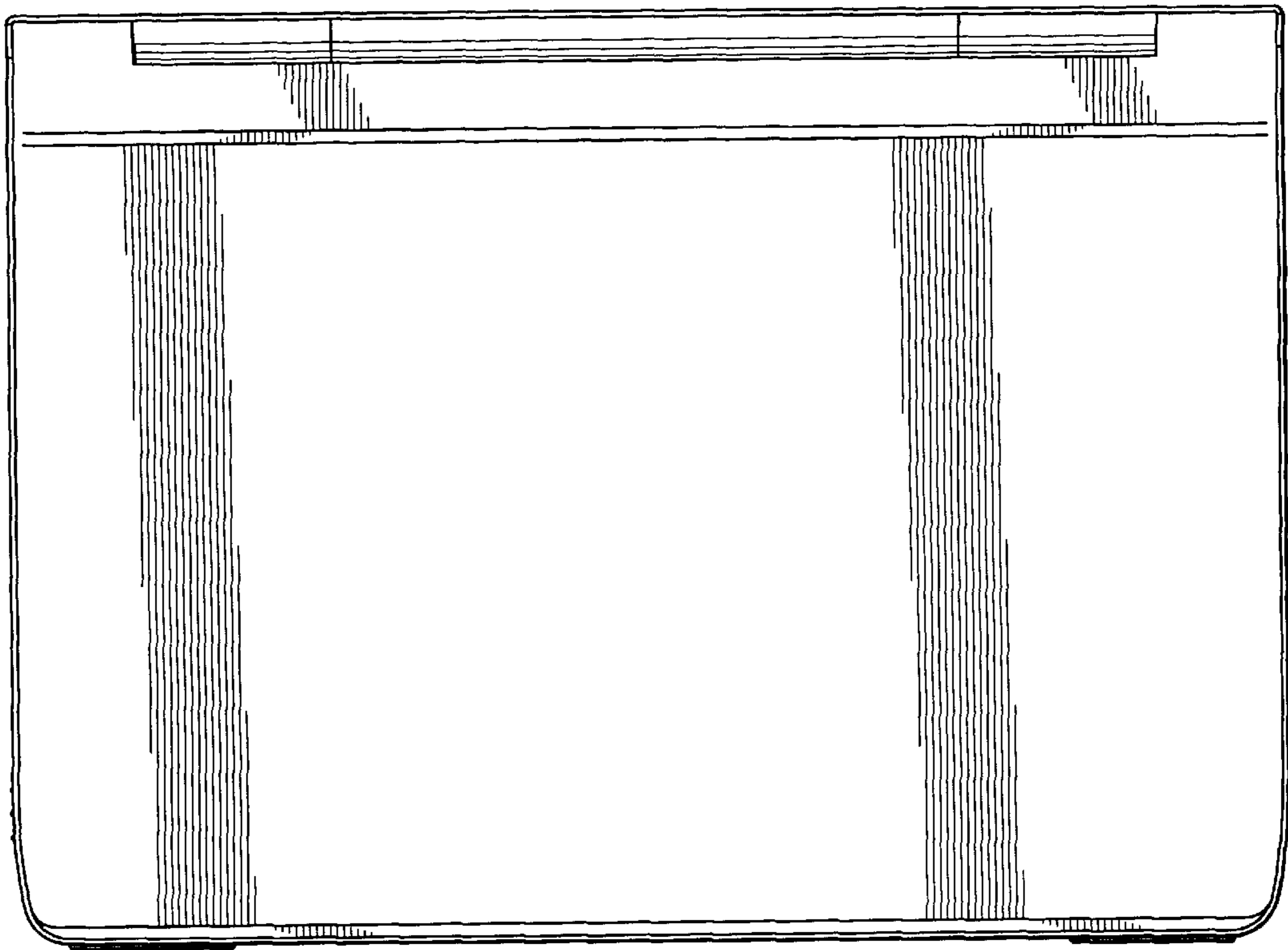


FIG. 5

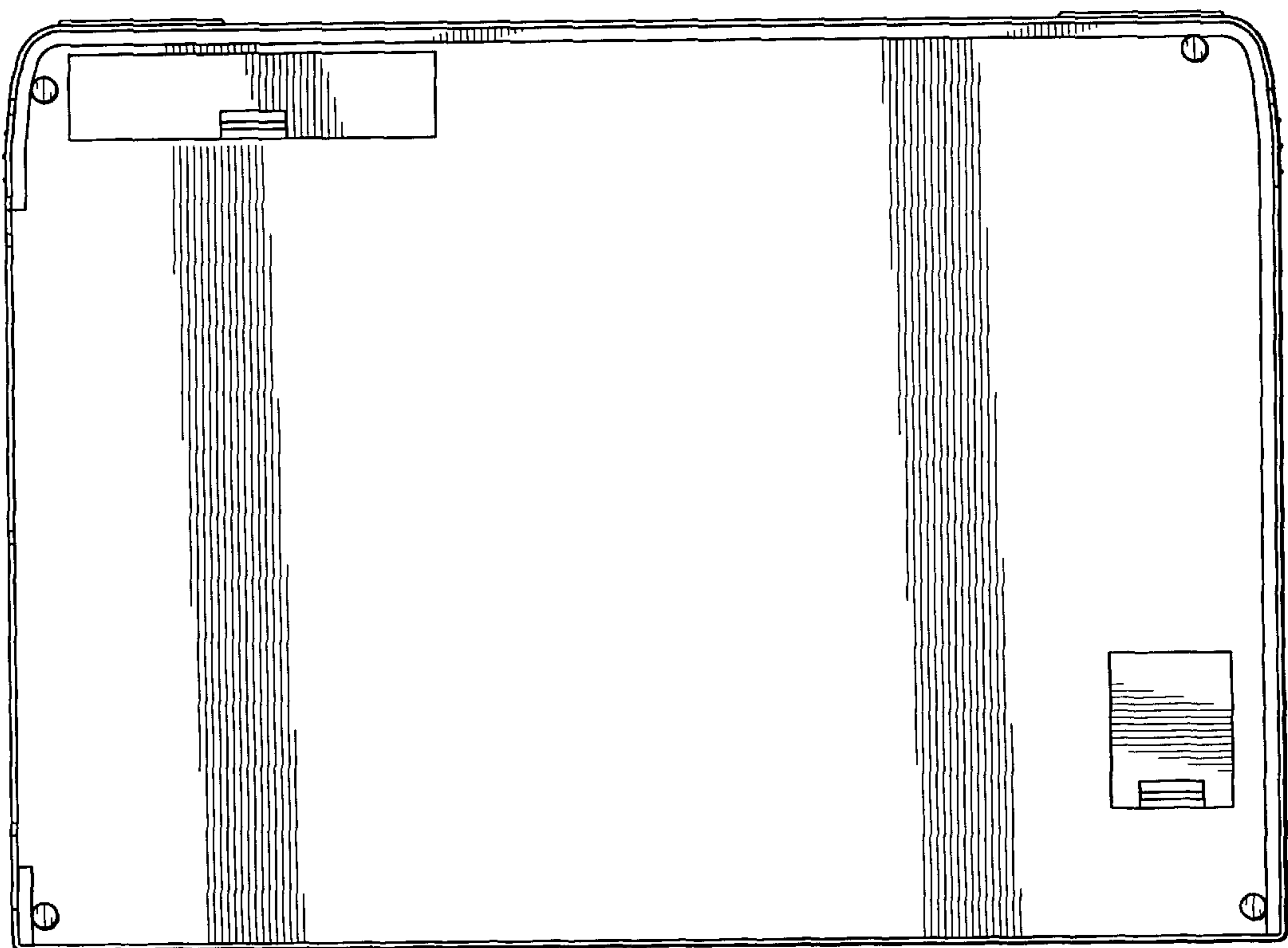


FIG. 6

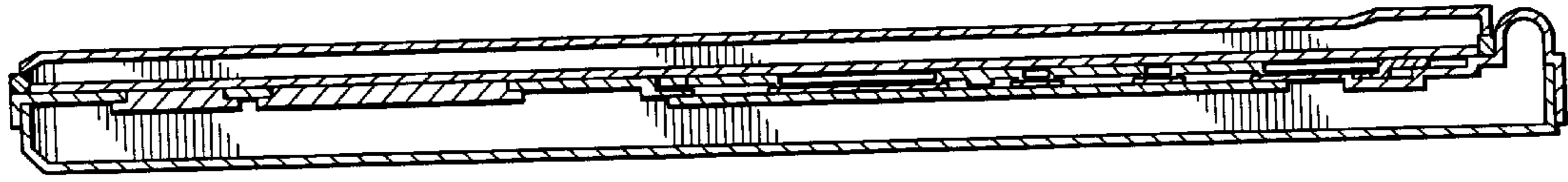


FIG. 7

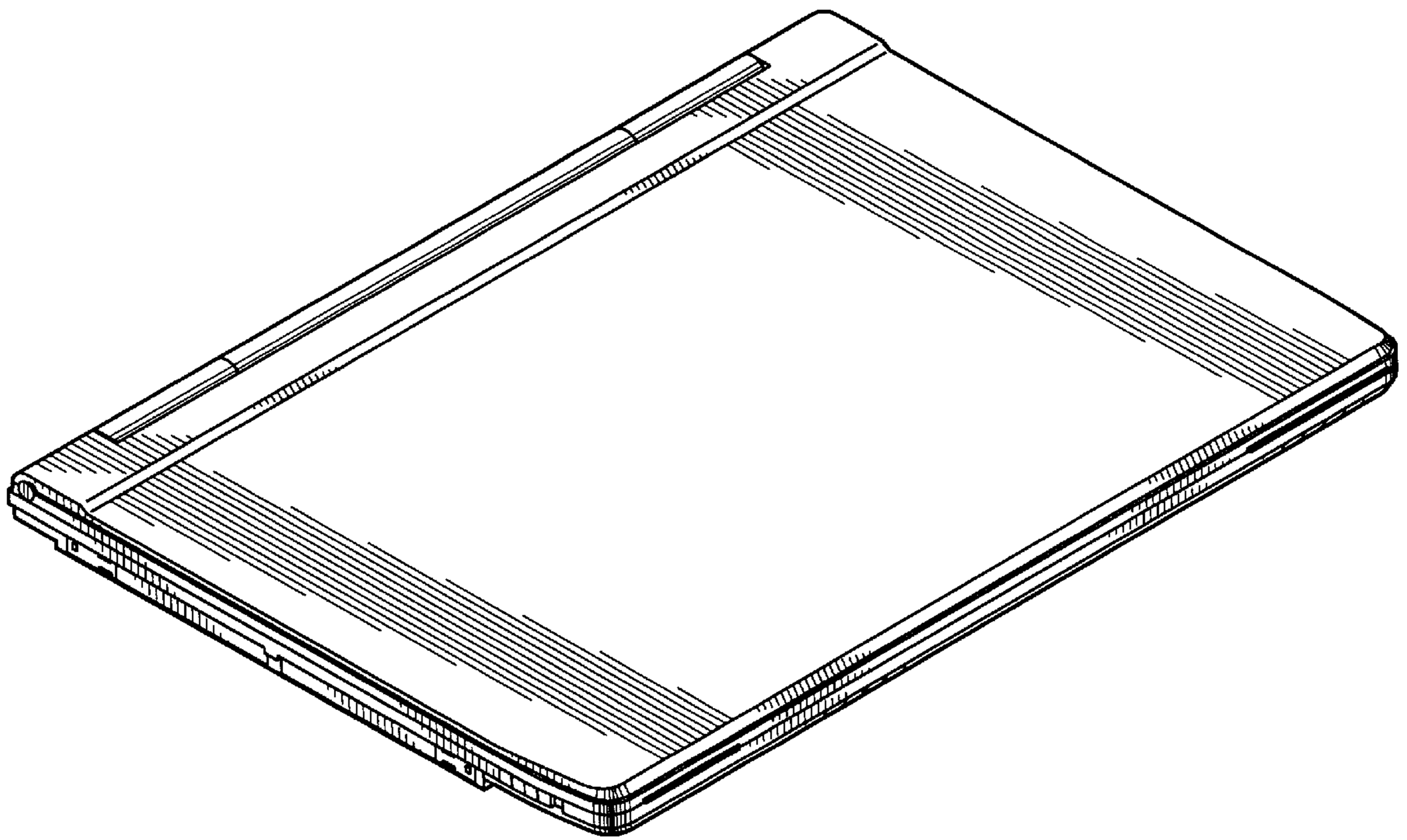
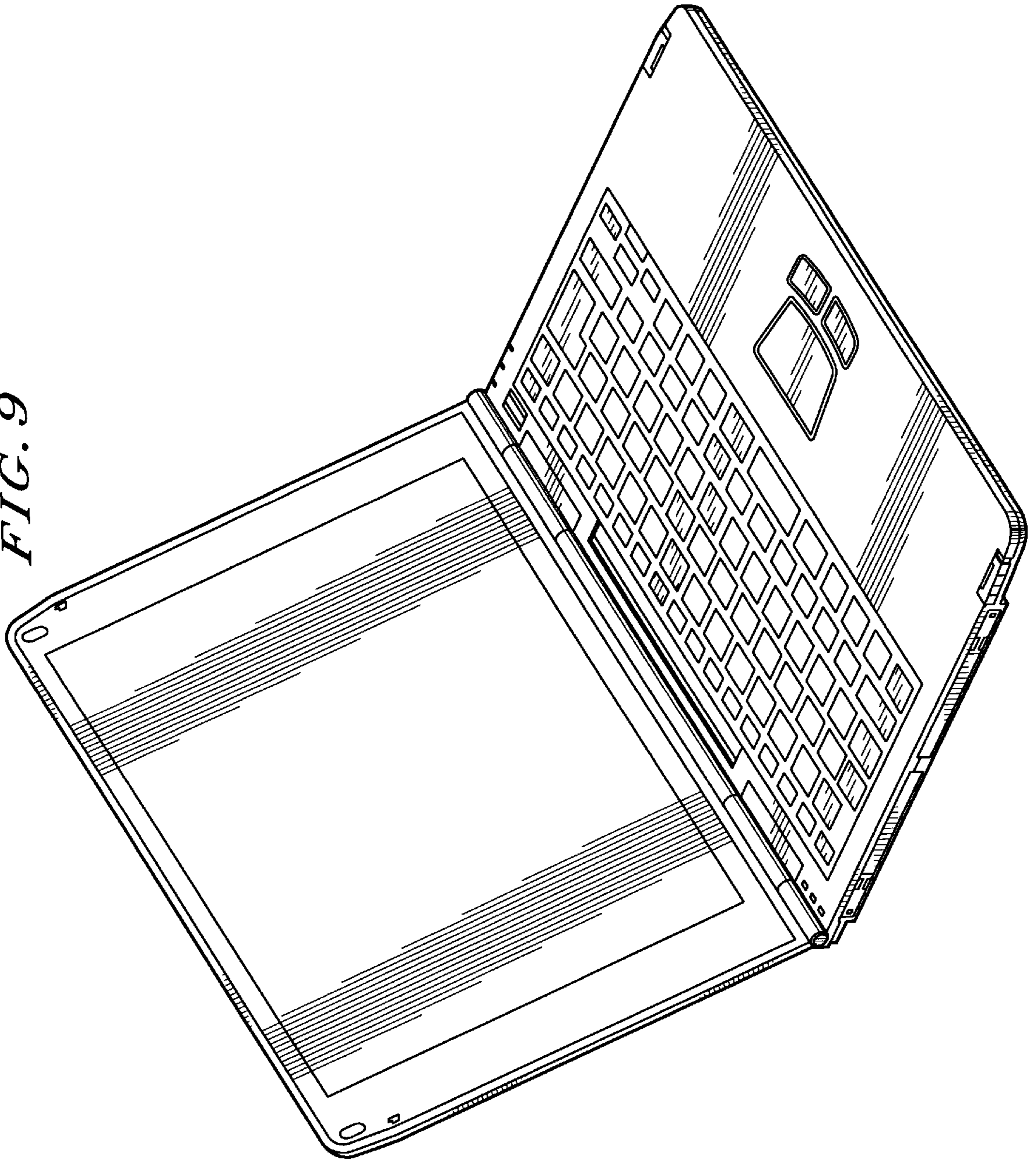


FIG. 8

FIG. 9



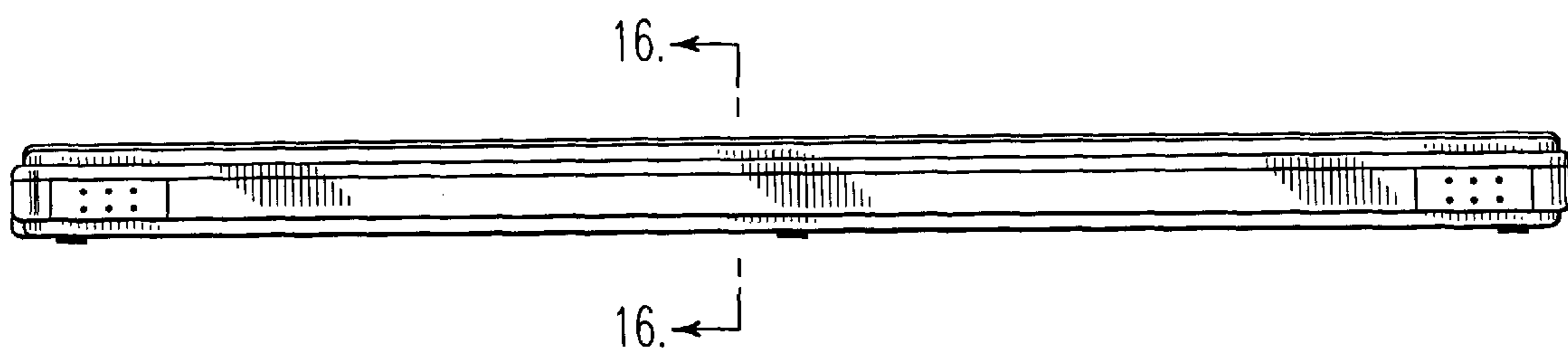


FIG. 10



FIG. 11

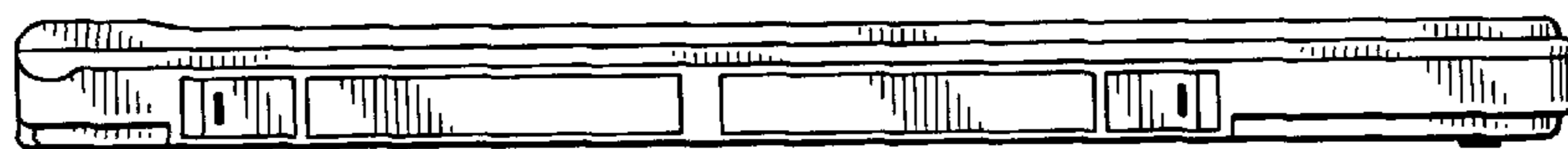


FIG. 12

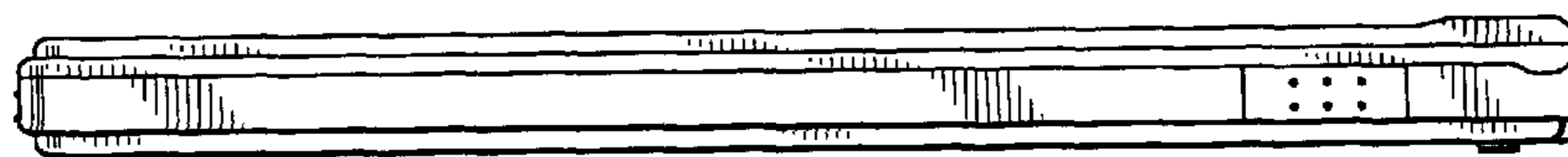


FIG. 13

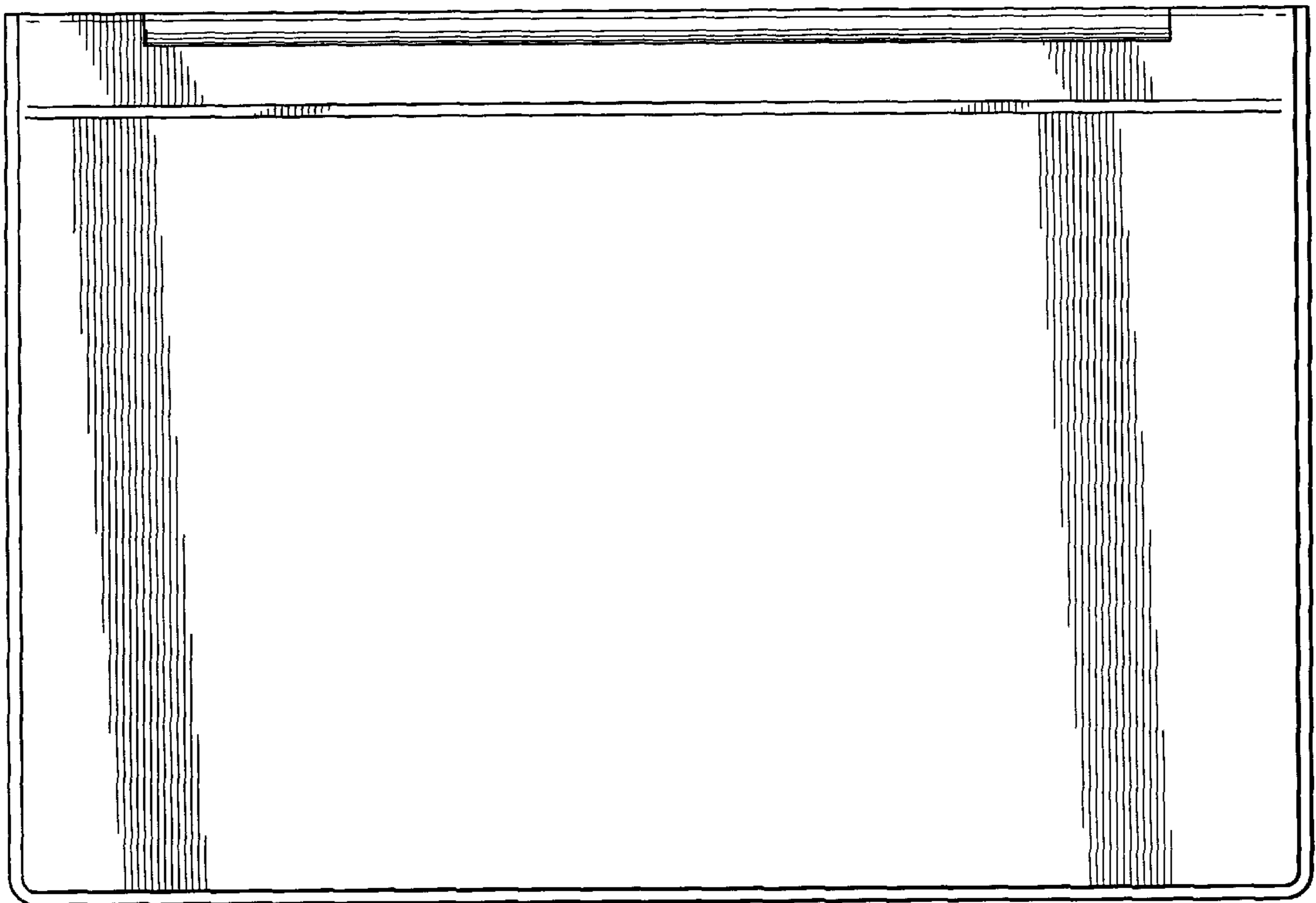


FIG. 14

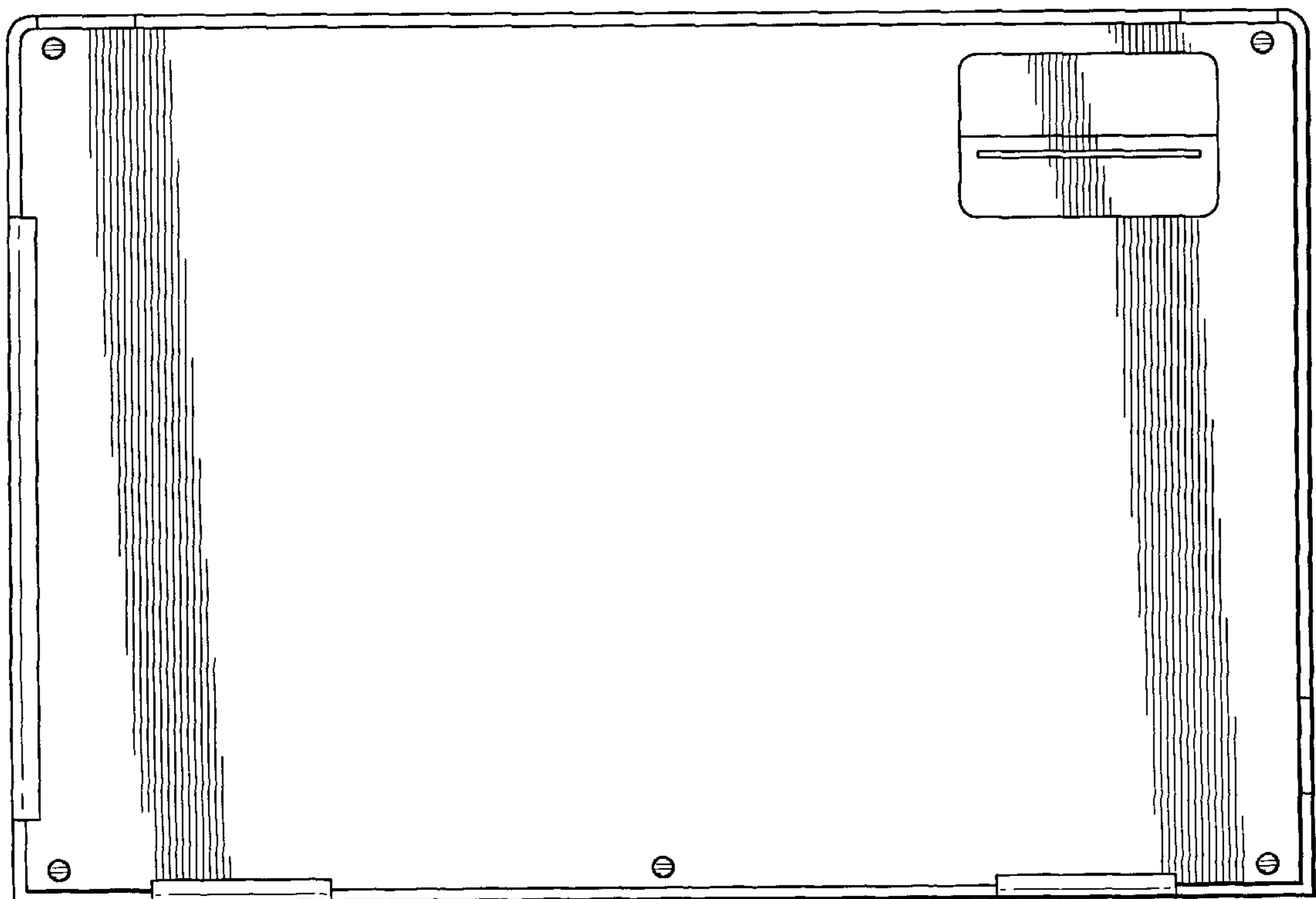


FIG. 15

FIG. 16

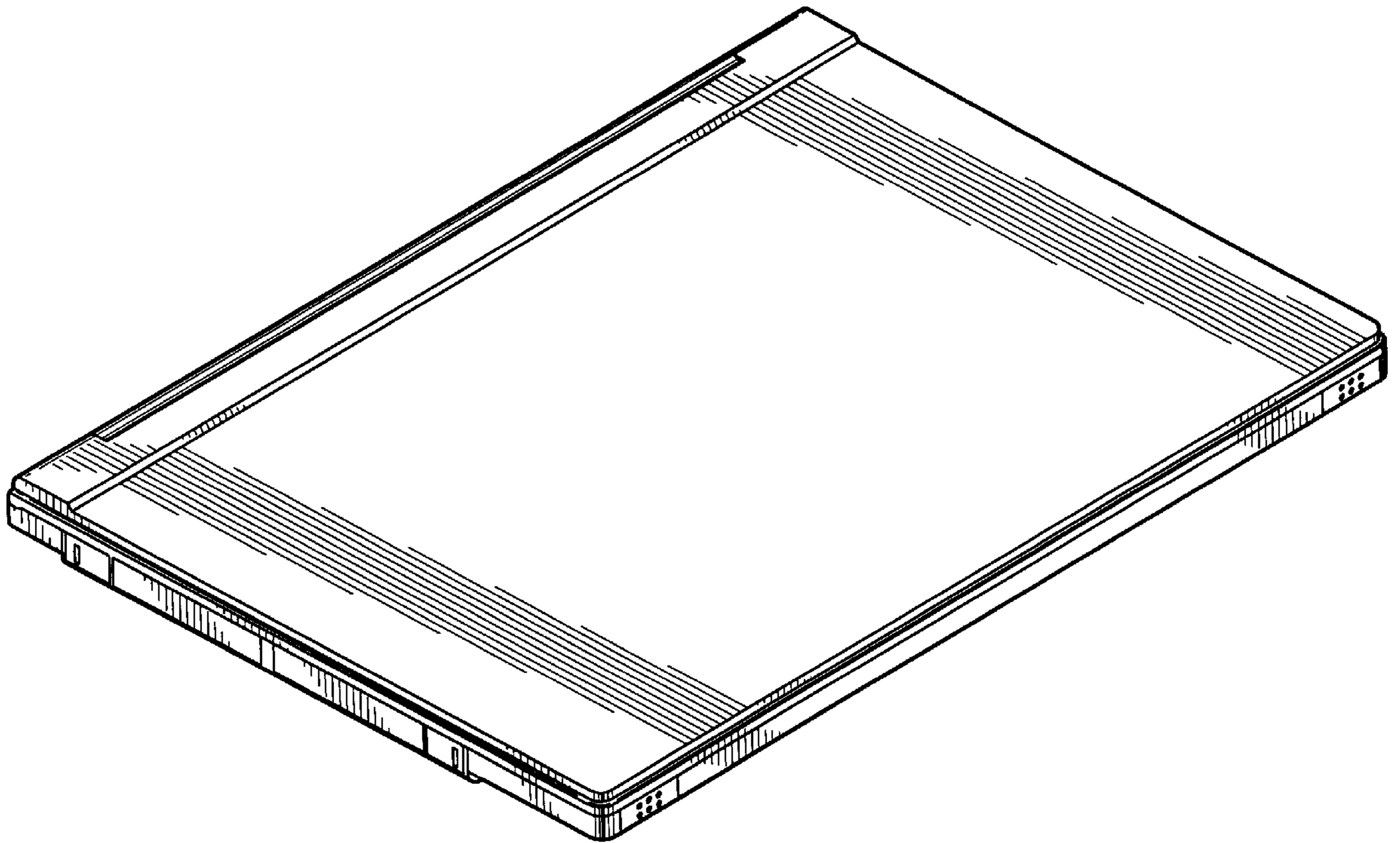
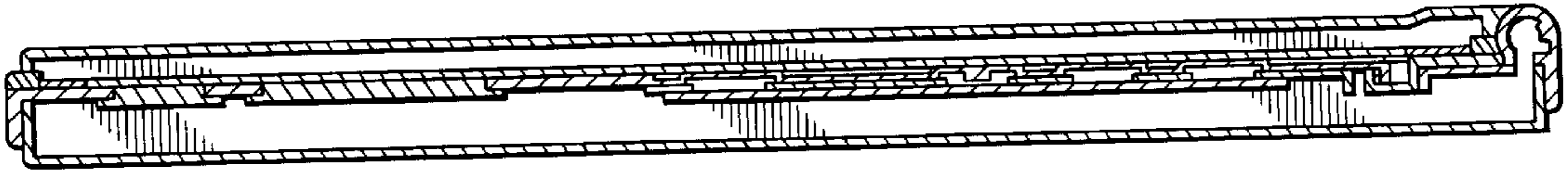


FIG. 17

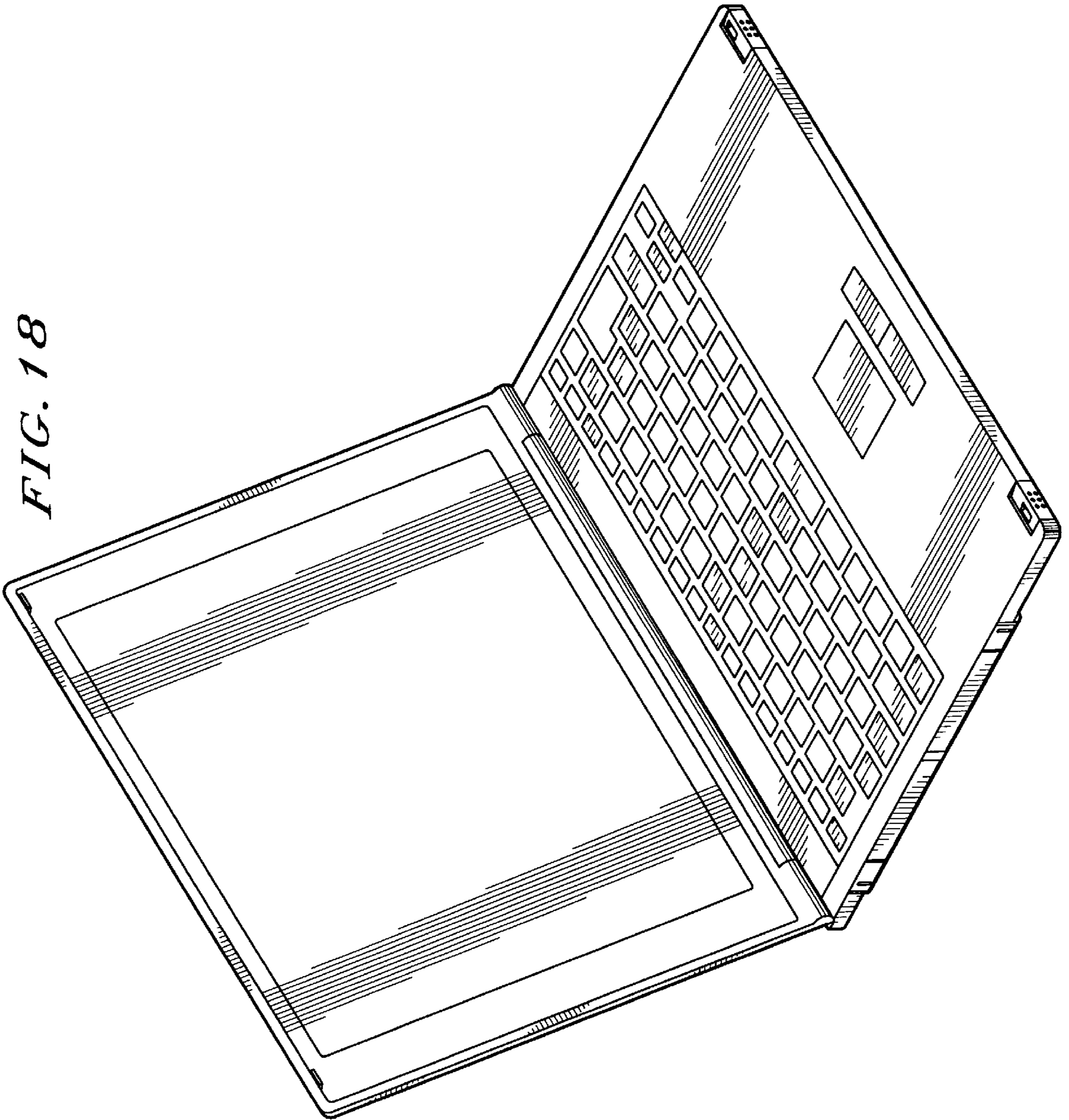


FIG. 18