



US00D411517S

United States Patent [19] Lin

[11] **Patent Number: Des. 411,517**

[45] **Date of Patent: ** Jun. 29, 1999**

[54] **COMPUTER**

D. 384,338 9/1997 Oates et al. D14/100
D. 389,462 1/1998 Johns et al. D14/100

[75] Inventor: **Horng-Jaan Lin**, Lawrenceville, Ga.

Primary Examiner—Freda Nunn
Attorney, Agent, or Firm—Paul W. Martin

[73] Assignee: **NCR Corporation**, Dayton, Ohio

[**] Term: **14 Years**

[57] **CLAIM**

[21] Appl. No.: **29/090,611**

The ornamental design for a computer, as shown and described.

[22] Filed: **Jul. 13, 1998**

DESCRIPTION

[51] **LOC (6) Cl.** **14-02**

[52] **U.S. Cl.** **D14/100; D14/106**

[58] **Field of Search** D14/100, 101,
D14/107, 106, 113, 124-129; 345/104,
156, 168, 173; 361/680-686; 364/708.1

FIG. 1 is a perspective view of the computer;
FIG. 2 is a front view;
FIG. 3 is a back view;
FIG. 4 is a left side view;
FIG. 5 is a right side view; and,
FIG. 6 is a top view.

[56] **References Cited**

The undisclosed bottom view is not a part of the claimed design.

U.S. PATENT DOCUMENTS

D. 383,444 9/1997 Han D14/100
D. 383,733 9/1997 Miki D14/100

1 Claim, 6 Drawing Sheets

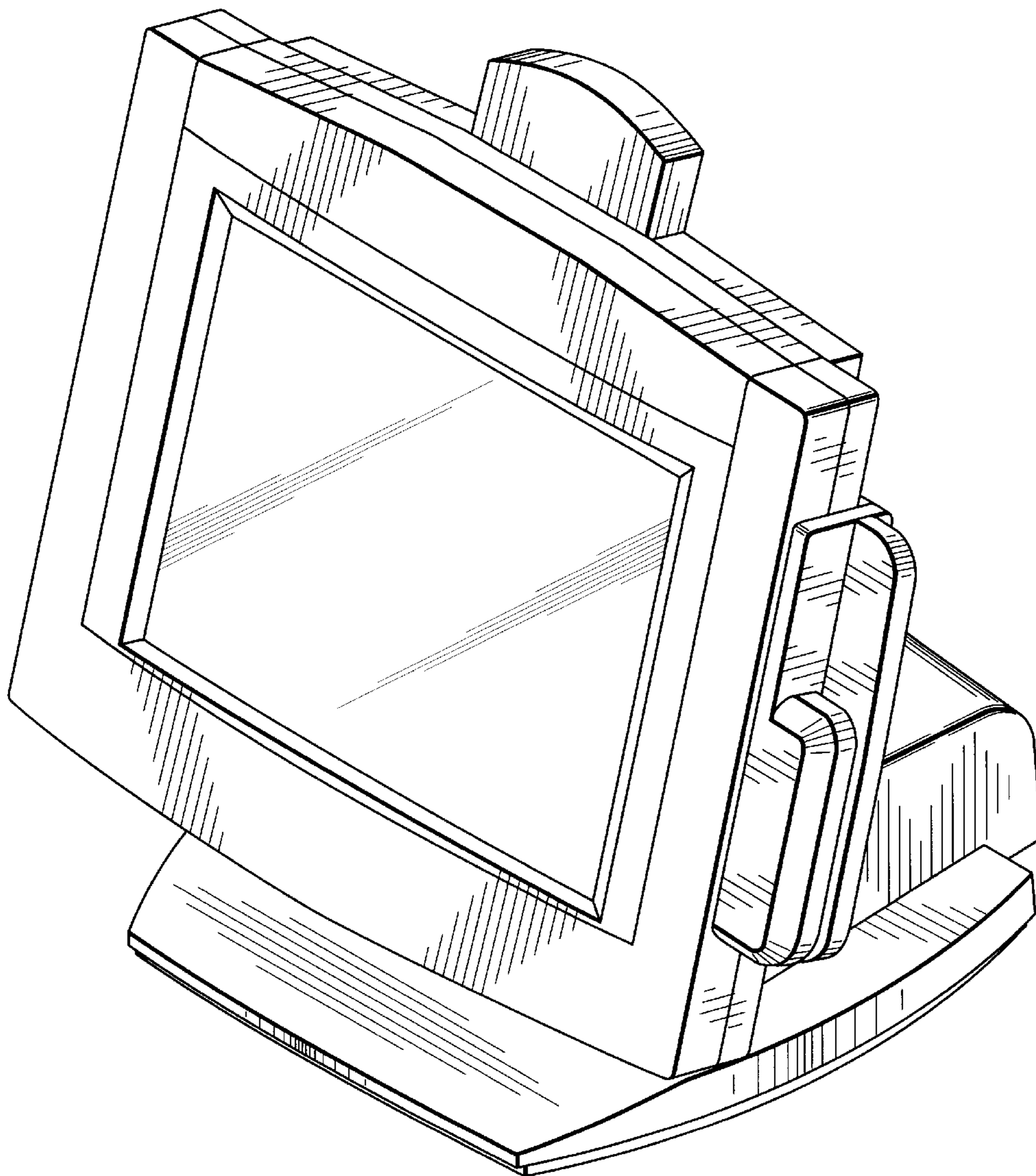


FIG. 1

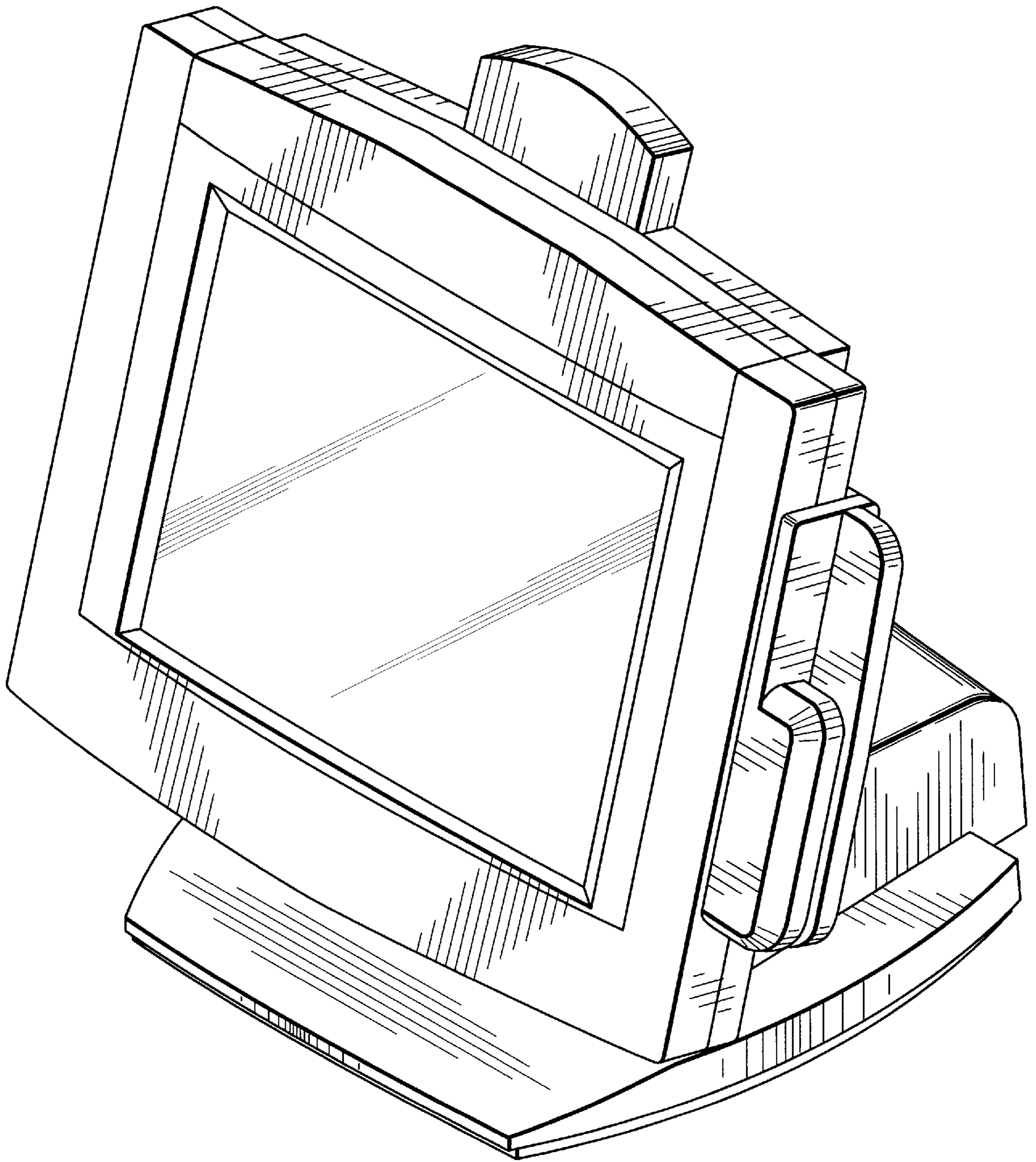


FIG. 2

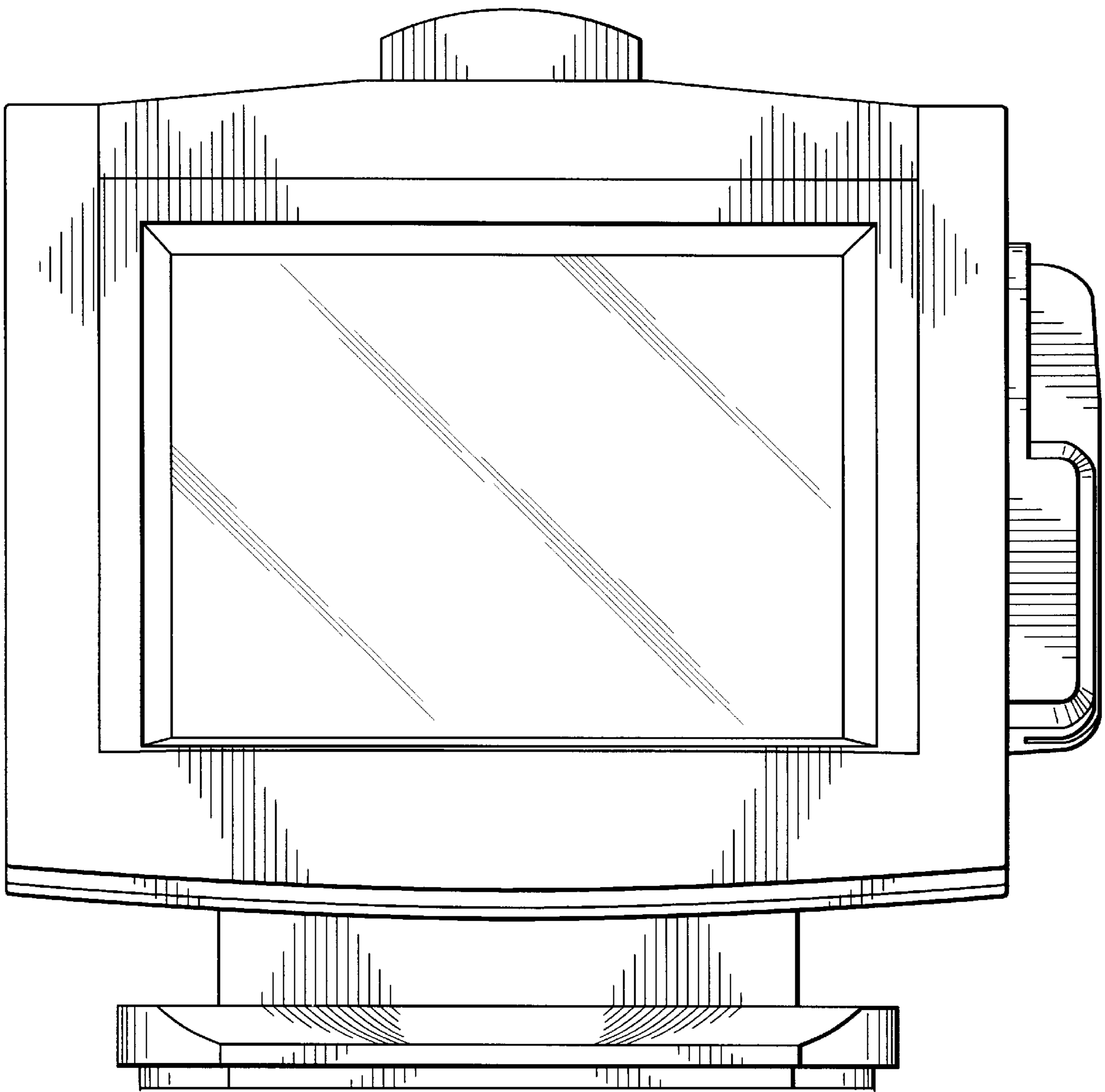


FIG. 3

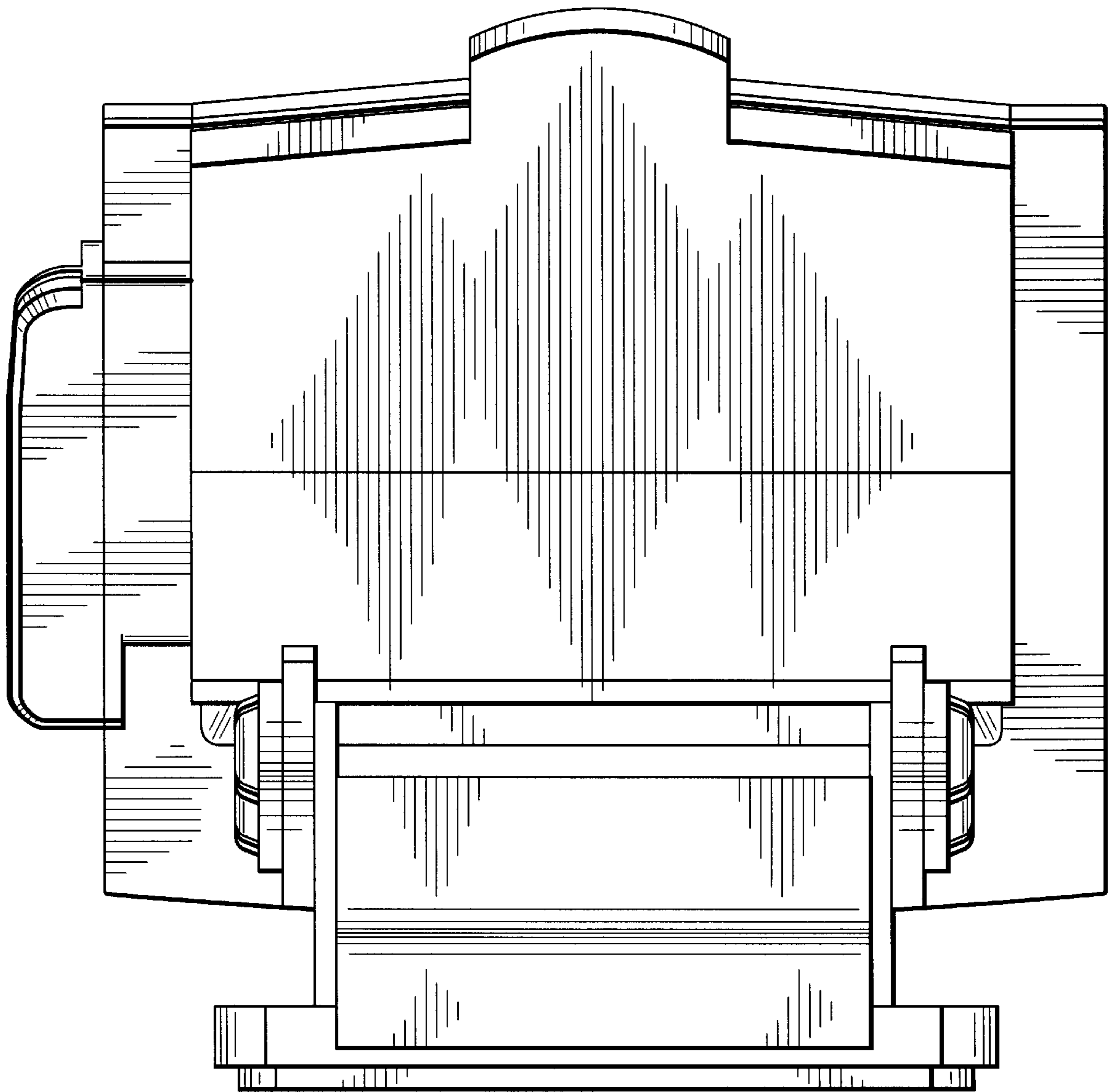


FIG. 4

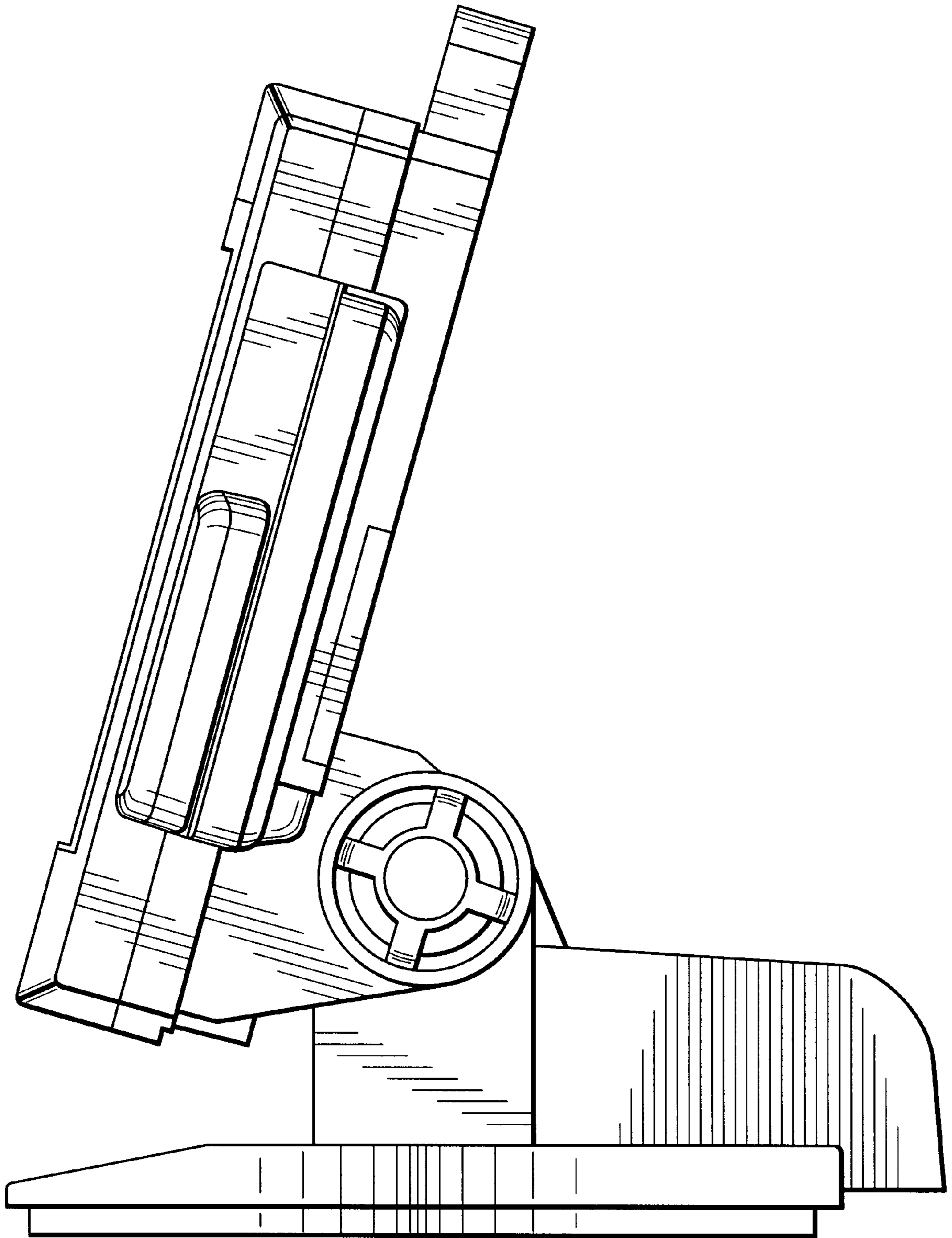


FIG. 5

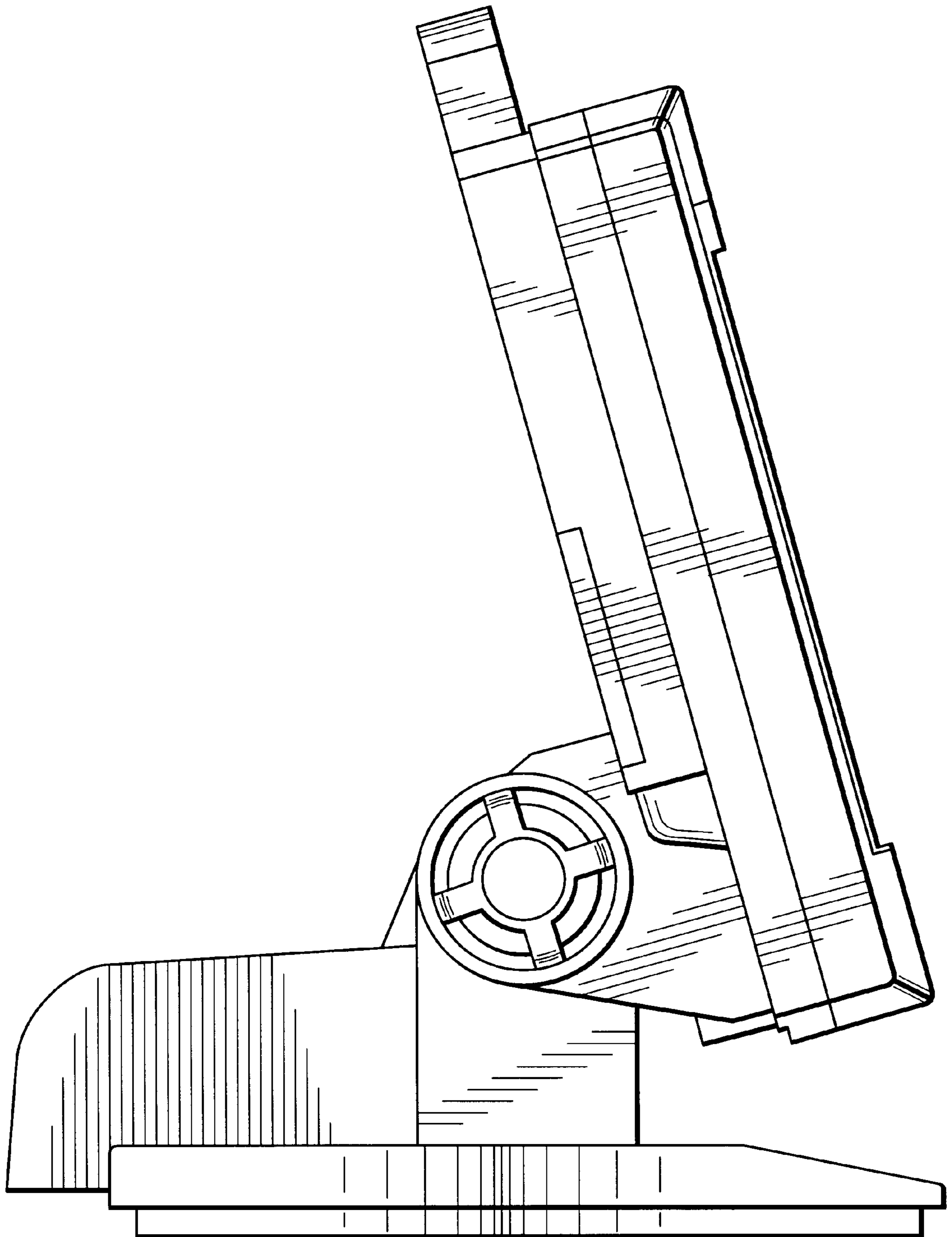


FIG. 6

