



US00D411515S

United States Patent [19] Tulley

[11] Patent Number: **Des. 411,515**

[45] Date of Patent: **** Jun. 29, 1999**

[54] PATCH PANEL

[75] Inventor: **Brian Tulley**, Naugatuck, Conn.

[73] Assignee: **The Siemon Company**, Watertown, Conn.

[**] Term: **14 Years**

[21] Appl. No.: **29/086,220**

[22] Filed: **Apr. 8, 1998**

D. 359,475	6/1995	Coffey	D13/154
D. 402,261	12/1998	Carslon, Jr. et al.	D13/154
D. 402,631	12/1998	Walters	D13/154
3,522,377	7/1970	Merrill	439/45 X
5,545,057	8/1996	Tan et al.	439/45 X

Primary Examiner—Brian N. Vinson
Attorney, Agent, or Firm—Cantor Colburn LLP

Related U.S. Application Data

[62] Division of application No. 29/074,074, Jul. 24, 1997.

[51] **LOC (6) Cl.** **13-03**

[52] **U.S. Cl.** **D13/154**

[58] **Field of Search** D13/133, 146,
D13/152, 154; 361/810, 822, 828, 829;
439/44, 45, 47, 49, 50

References Cited

U.S. PATENT DOCUMENTS

D. 318,847 8/1991 Reed D13/154

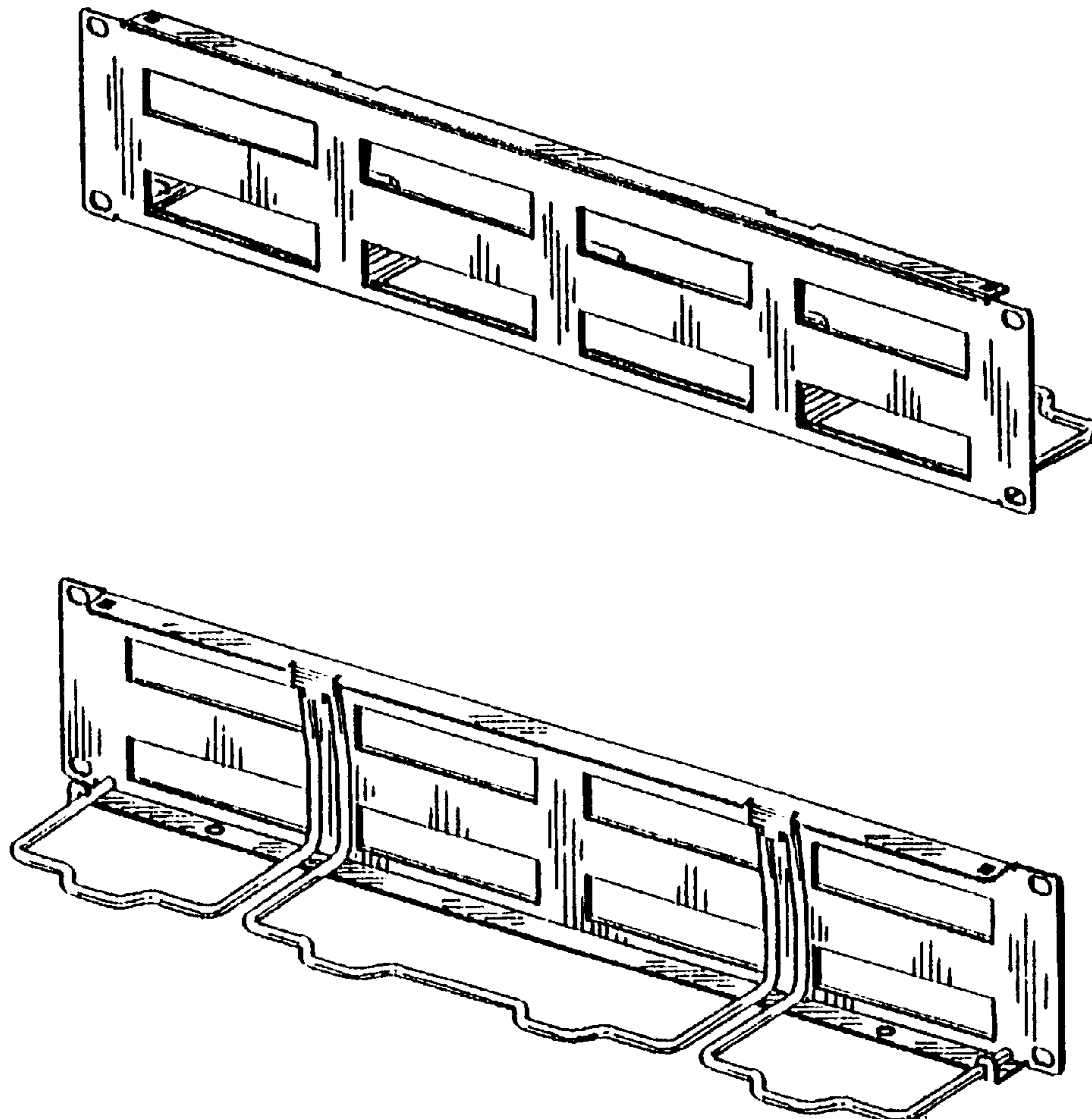
DESCRIPTION

FIG. 1 is a perspective view of a patch panel;
FIG. 2 is a perspective view of the patch panel;
FIG. 3 is a front view of the patch panel;
FIG. 4 is a right side view of the patch panel, the left side view being a mirror image thereof;
FIG. 5 is a top view of the patch panel;
FIG. 6 is a bottom view of the patch panel; and,
FIG. 7 is a rear view of the patch panel.

[57] CLAIM

The ornamental design for a patch panel, as shown.

1 Claim, 2 Drawing Sheets



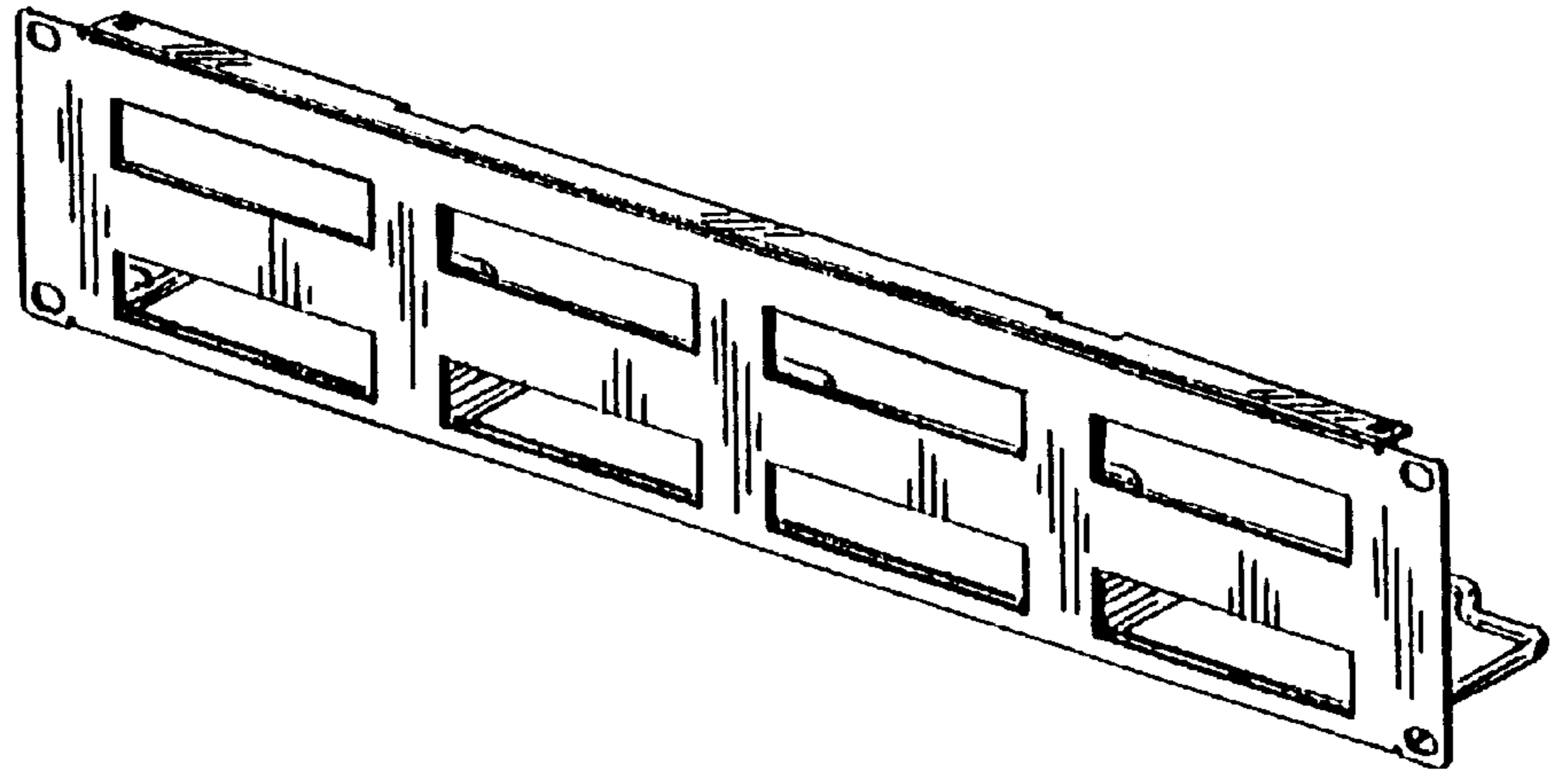


FIG. 1

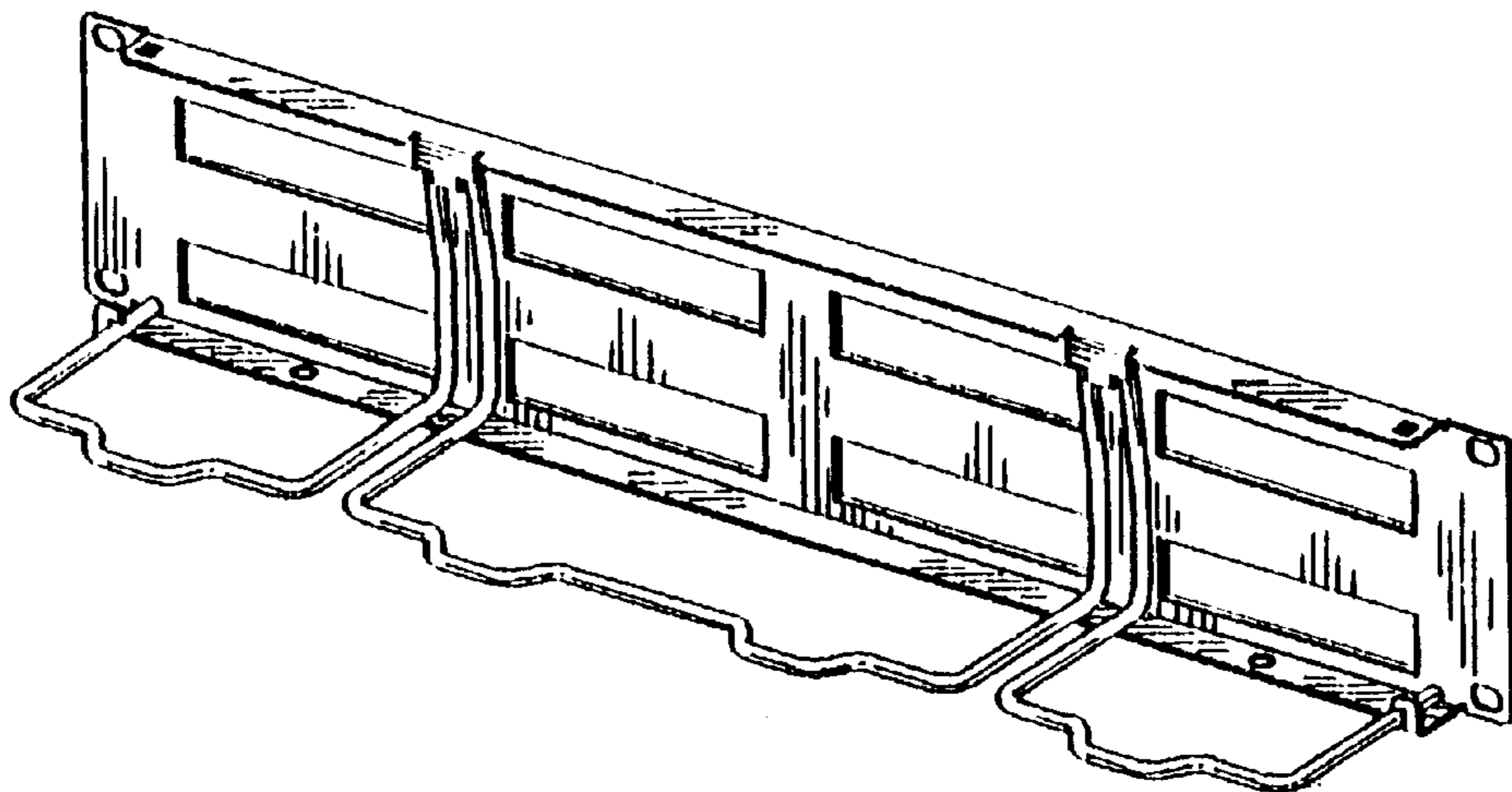


FIG. 2

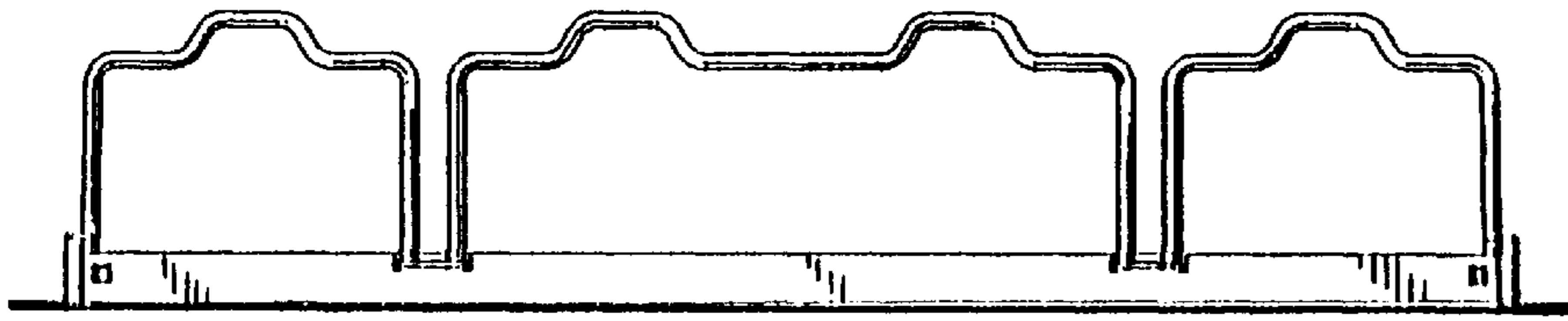


FIG. 5

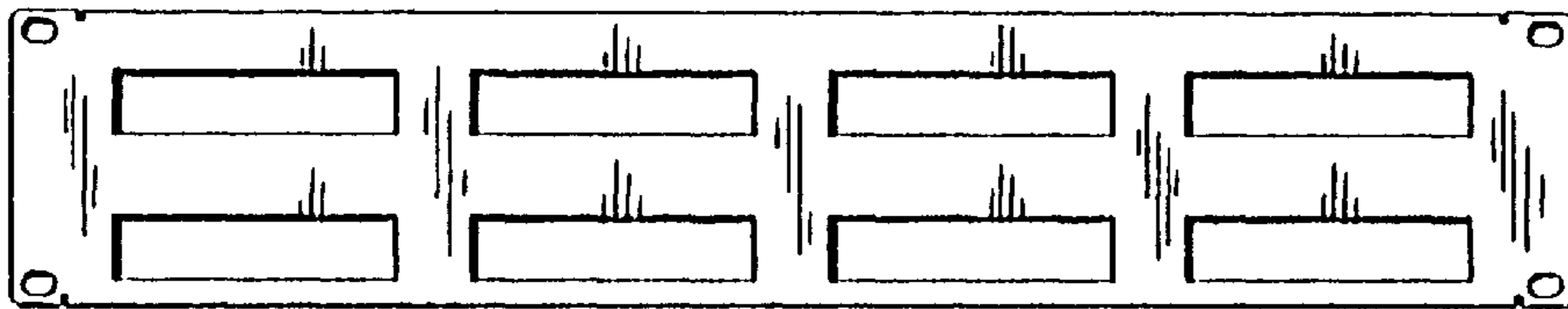


FIG. 3

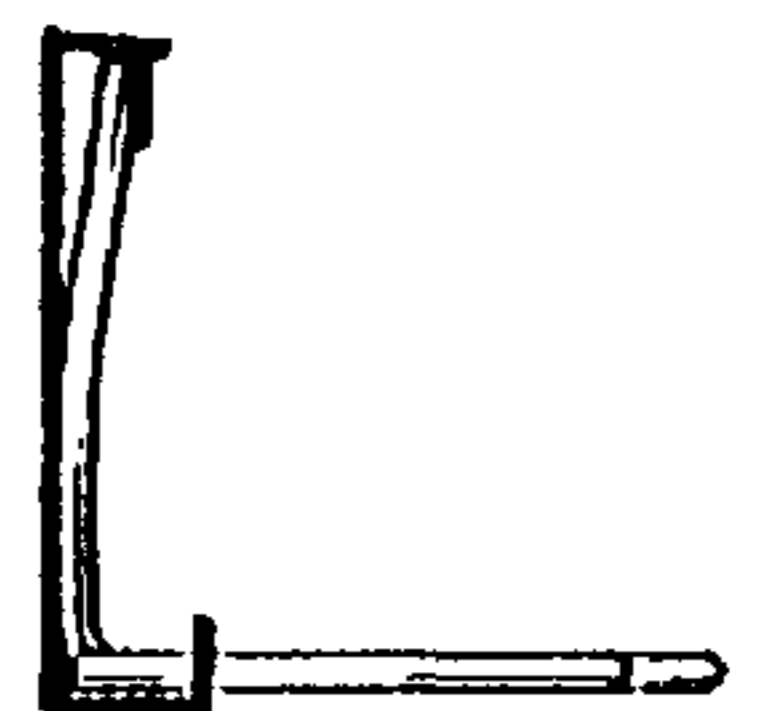


FIG. 4

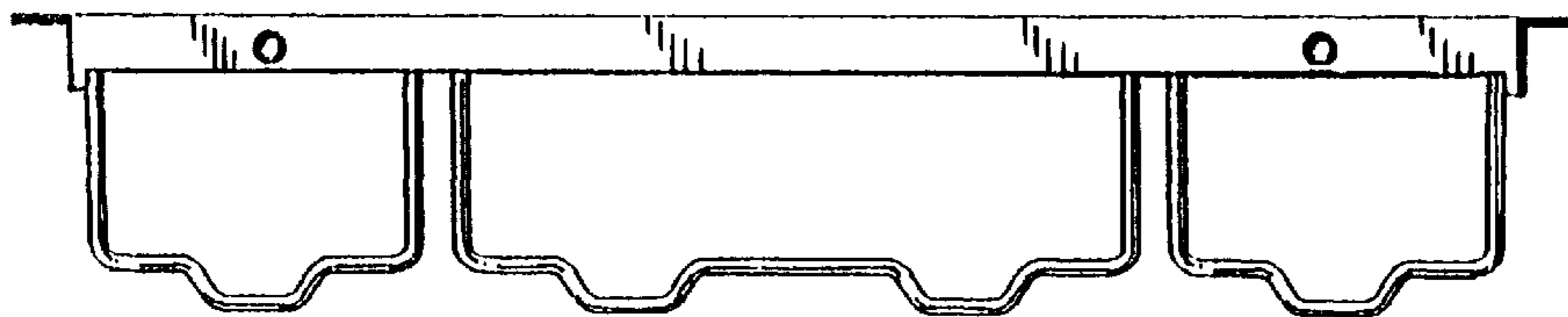


FIG. 6

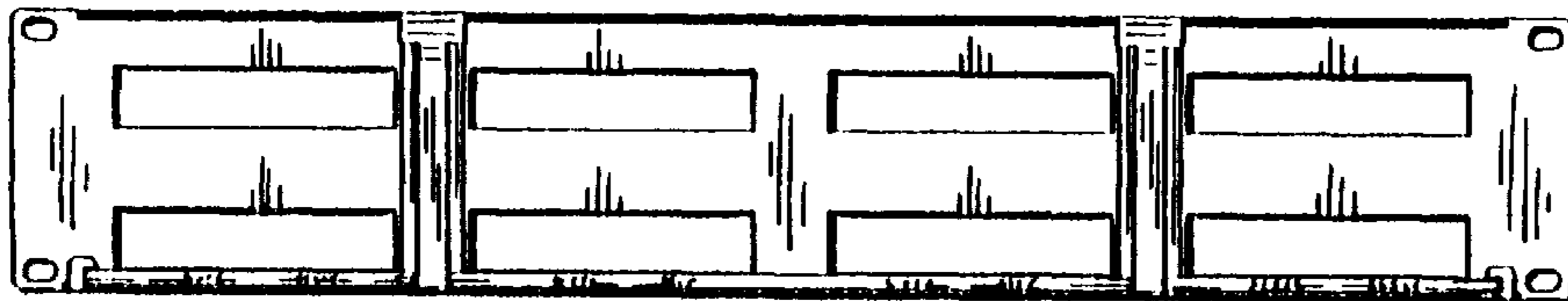


FIG. 7