



US00D411514S

United States Patent [19] Tulley

[11] **Patent Number: Des. 411,514**
[45] **Date of Patent: ** Jun. 29, 1999**

[54] **PATCH PANEL**

DESCRIPTION

[75] Inventor: **Brian Tulley**, Naugatuck, Conn.
[73] Assignee: **The Siemon Company**, Watertown, Conn.
[**] Term: **14 Years**
[21] Appl. No.: **29/074,074**
[22] Filed: **Jul. 24, 1997**
[51] **LOC (6) Cl.** **13-03**
[52] **U.S. Cl.** **D13/154**
[58] **Field of Search** D13/133, 154,
D13/158, 162, 173, 184, 199; 361/810,
822, 828, 829; 439/45, 49, 540.1

FIG. 1 is a perspective view of a patch panel in a first embodiment;
FIG. 2 is a perspective view of the patch panel in the first embodiment;
FIG. 3 is a front view of the patch panel in the first embodiment;
FIG. 4 is a right side view of the patch panel in the first embodiment, the left side view being a mirror image thereof;
FIG. 5 is a top view of the patch panel in the first embodiment;
FIG. 6 is a bottom view of the patch panel in the first embodiment;
FIG. 7 is a rear view of the patch panel in the first embodiment;
FIG. 8 is a perspective view of a patch panel in a second embodiment;
FIG. 9 is a perspective view of the patch panel in the second embodiment;
FIG. 10 is a front view of the patch panel in the second embodiment;
FIG. 11 is a right side view of the patch panel in the second embodiment, the left side view being a mirror image thereof;
FIG. 12 is a top view of the patch panel in the second embodiment;
FIG. 13 is a bottom view of the patch panel in the second embodiment; and,
FIG. 14 is a rear view of the patch panel in the second embodiment.

[56] **References Cited**

U.S. PATENT DOCUMENTS

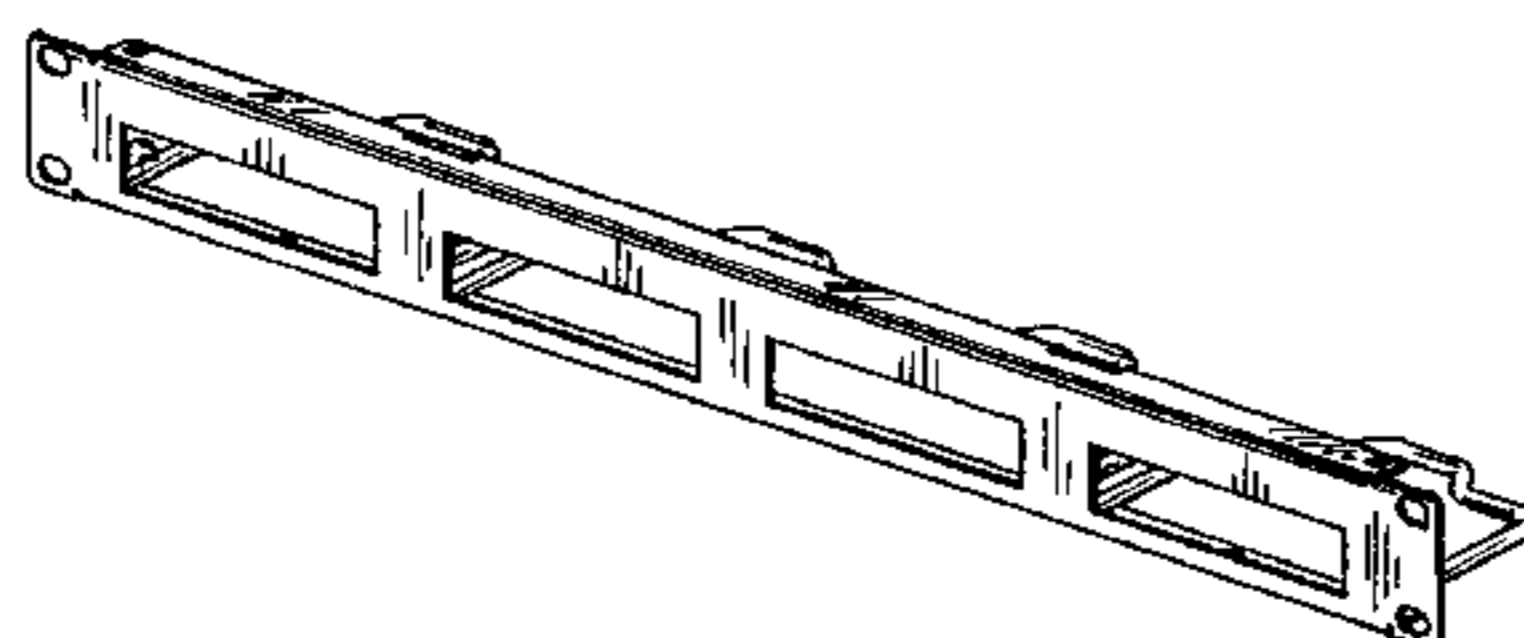
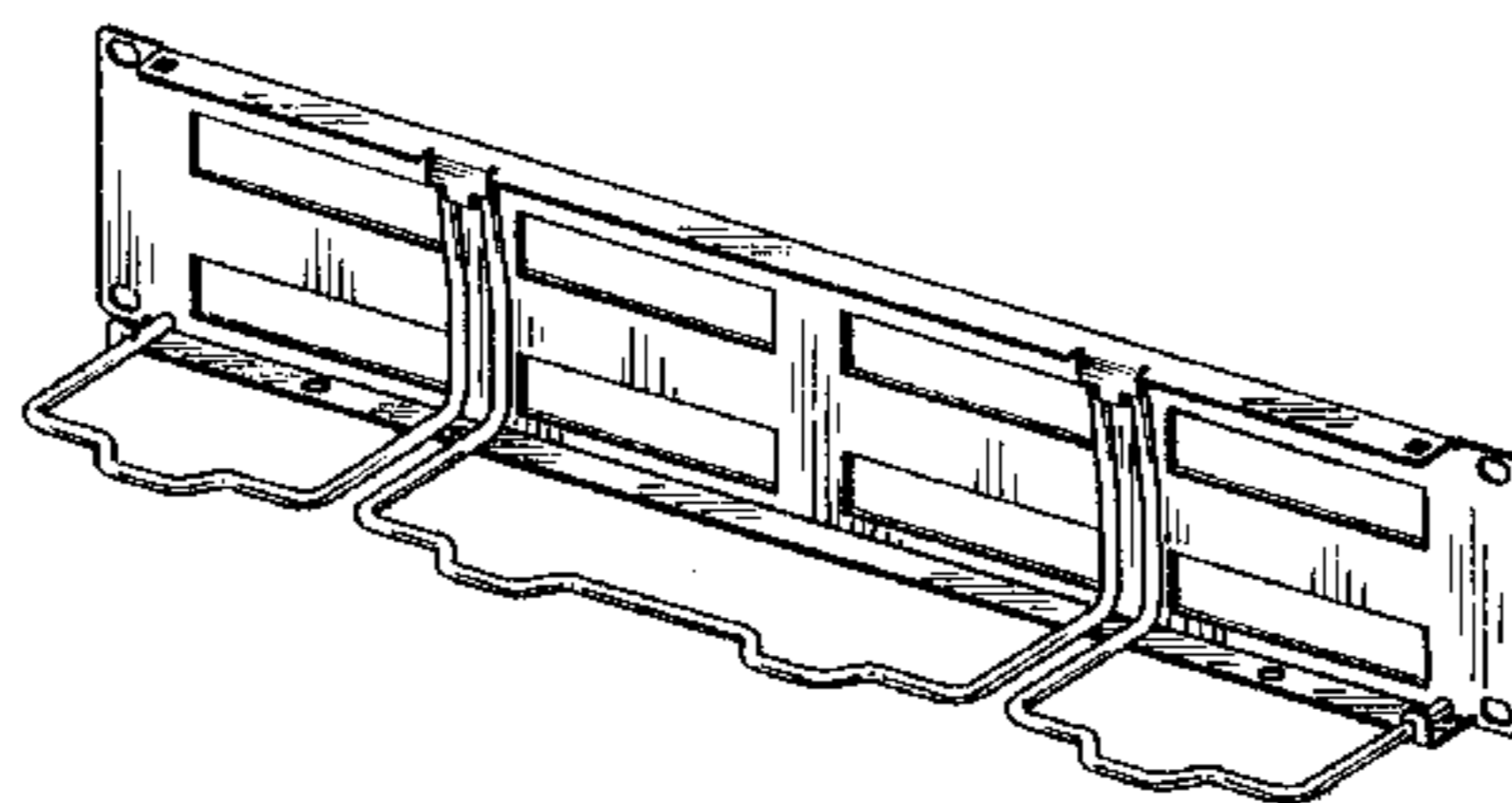
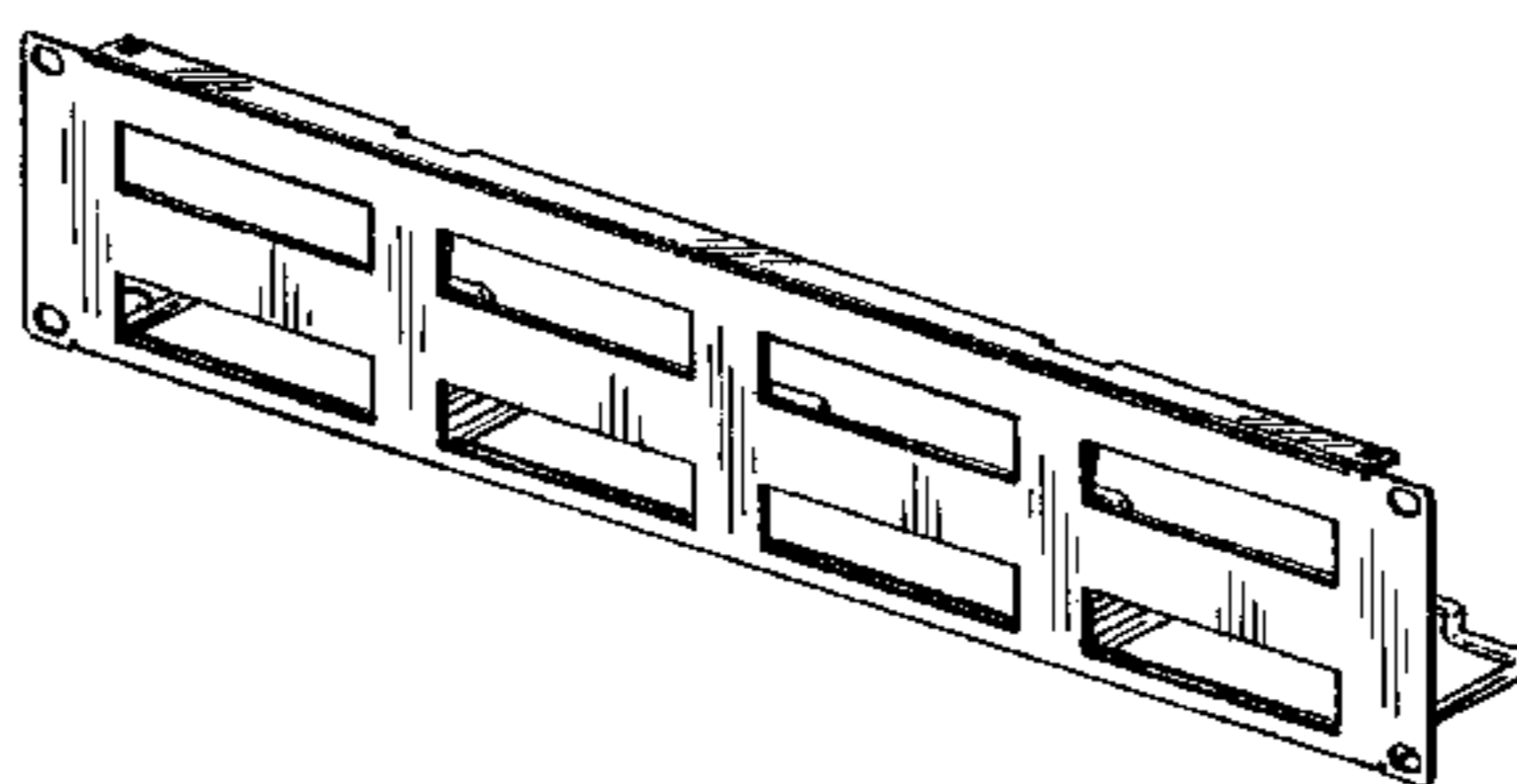
D. 318,847	8/1991	Reed	D13/154
D. 359,475	6/1995	Coffey	D13/154
D. 360,189	7/1995	Orlando	D13/154
D. 366,025	1/1996	Siemon et al.	D13/154
5,545,057	8/1996	Tan et al.	439/540.1

Primary Examiner—Brian N. Vinson
Attorney, Agent, or Firm—Cantor Colburn

[57] **CLAIM**

The ornamental design for a patch panel, as shown.

1 Claim, 4 Drawing Sheets



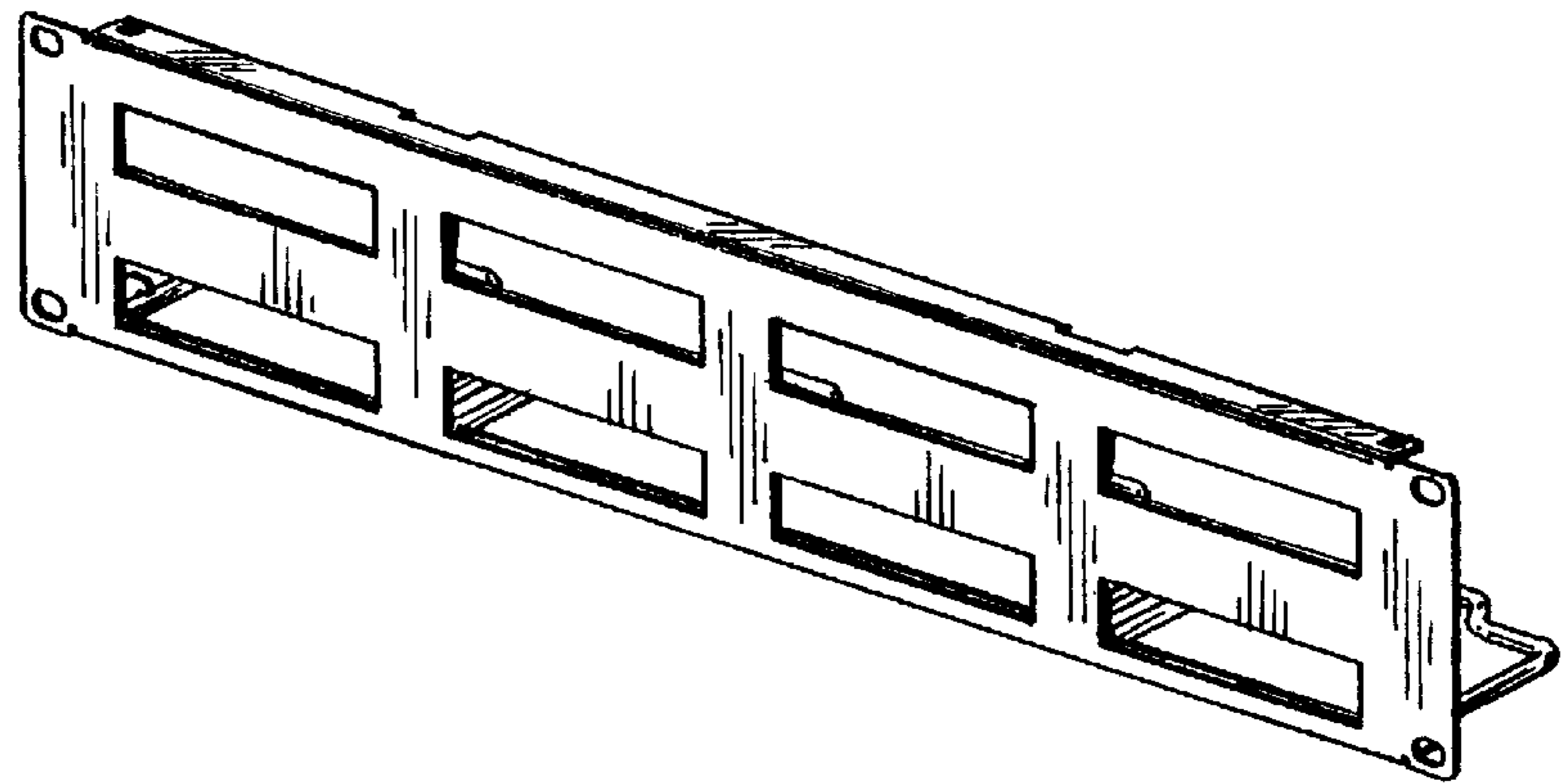


FIG. 1

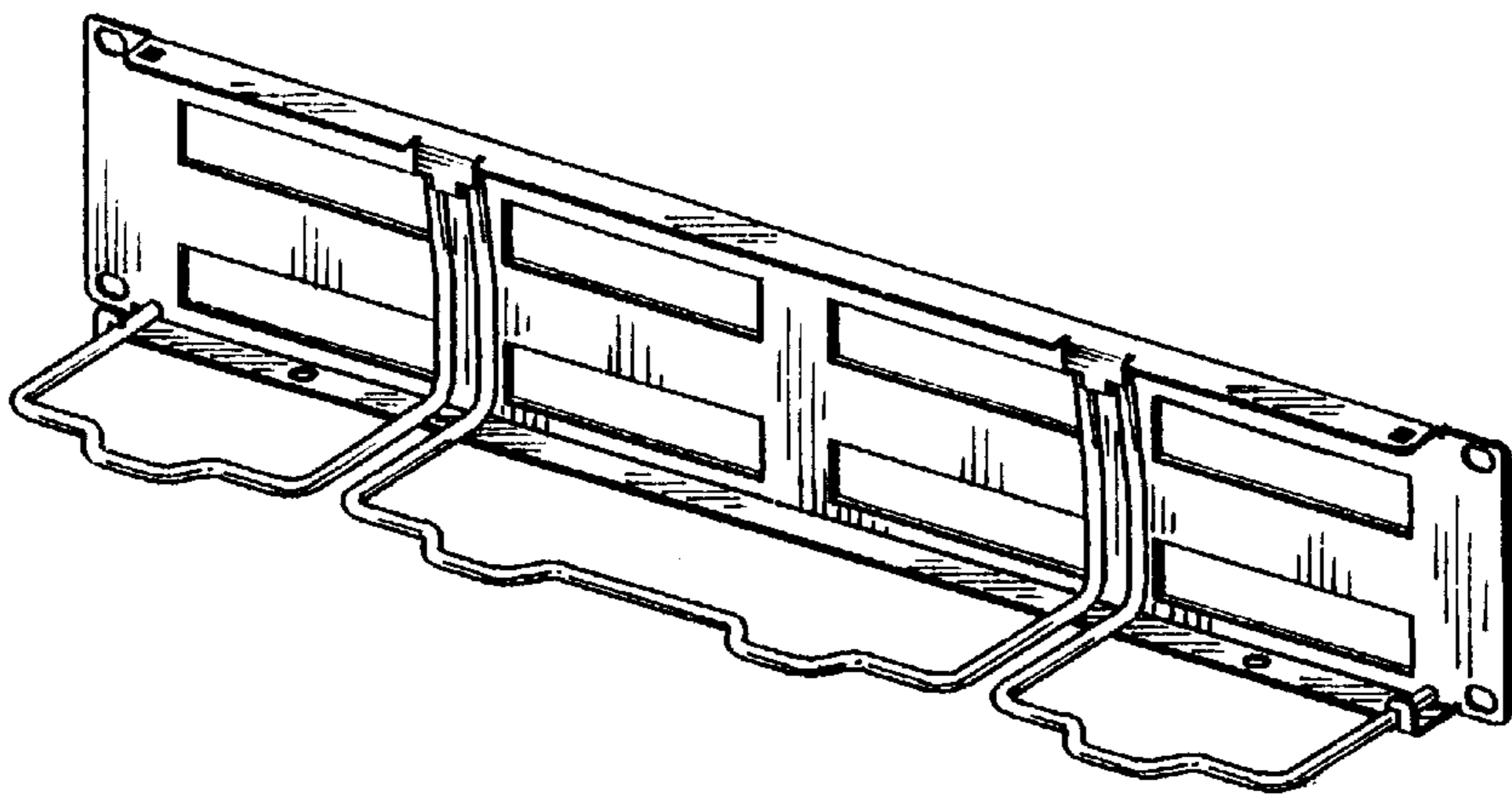


FIG. 2

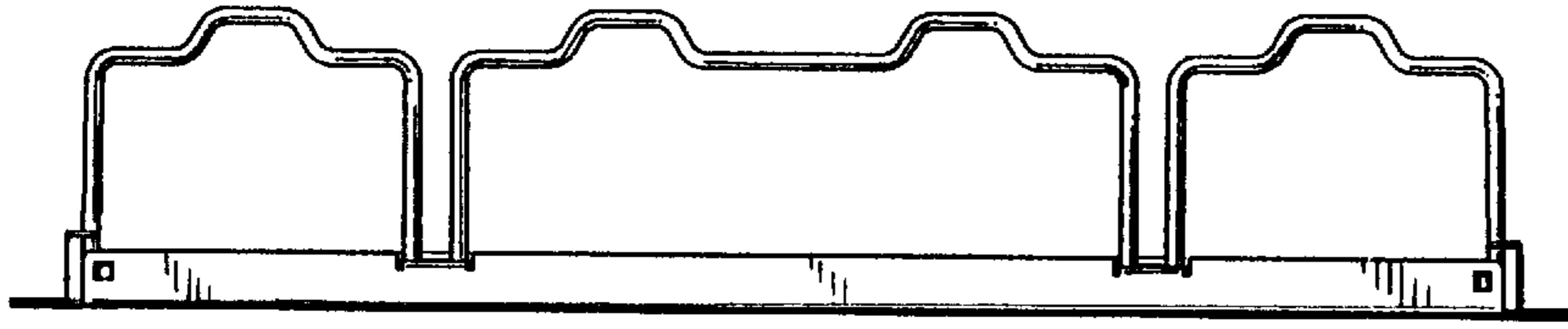


FIG. 5

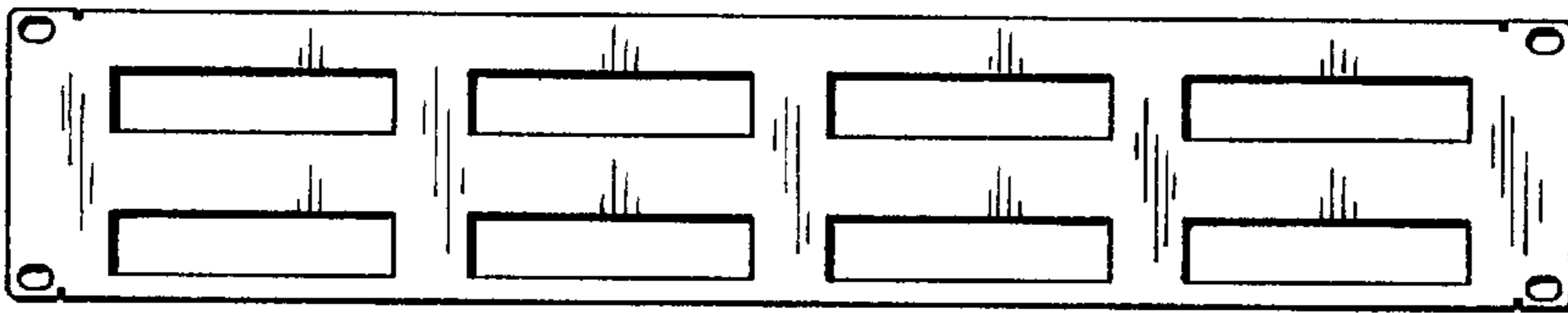


FIG. 3

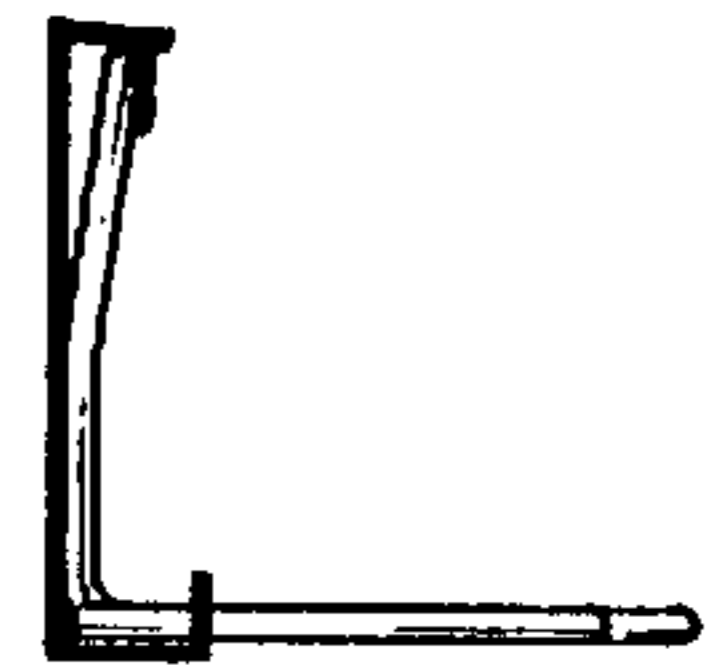


FIG. 4

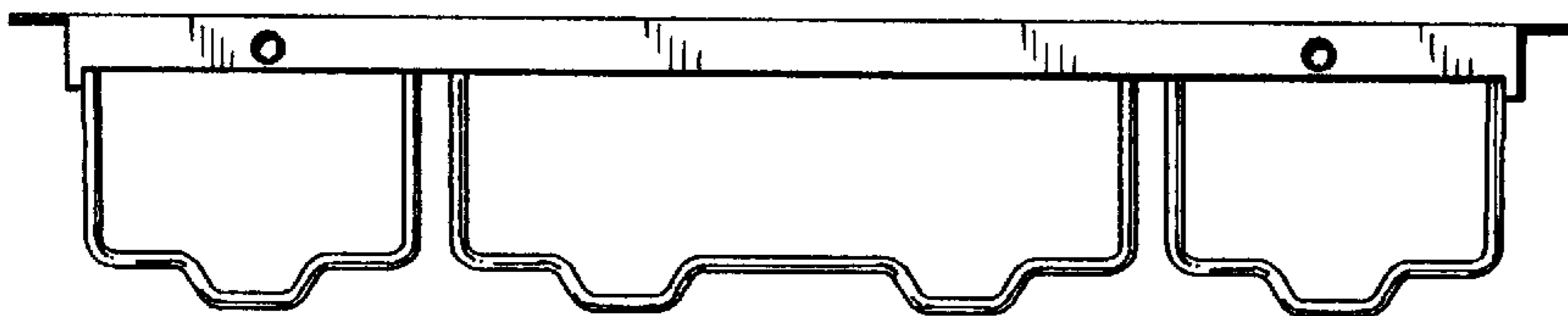


FIG. 6

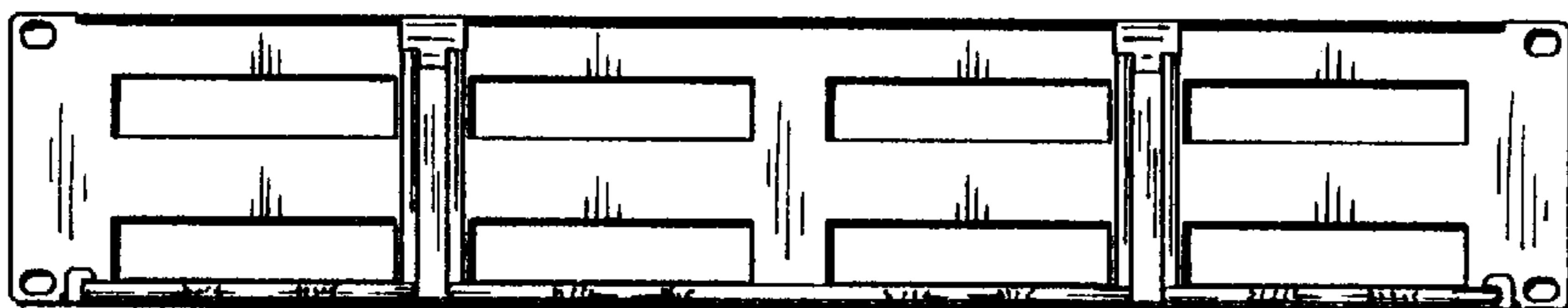


FIG. 7

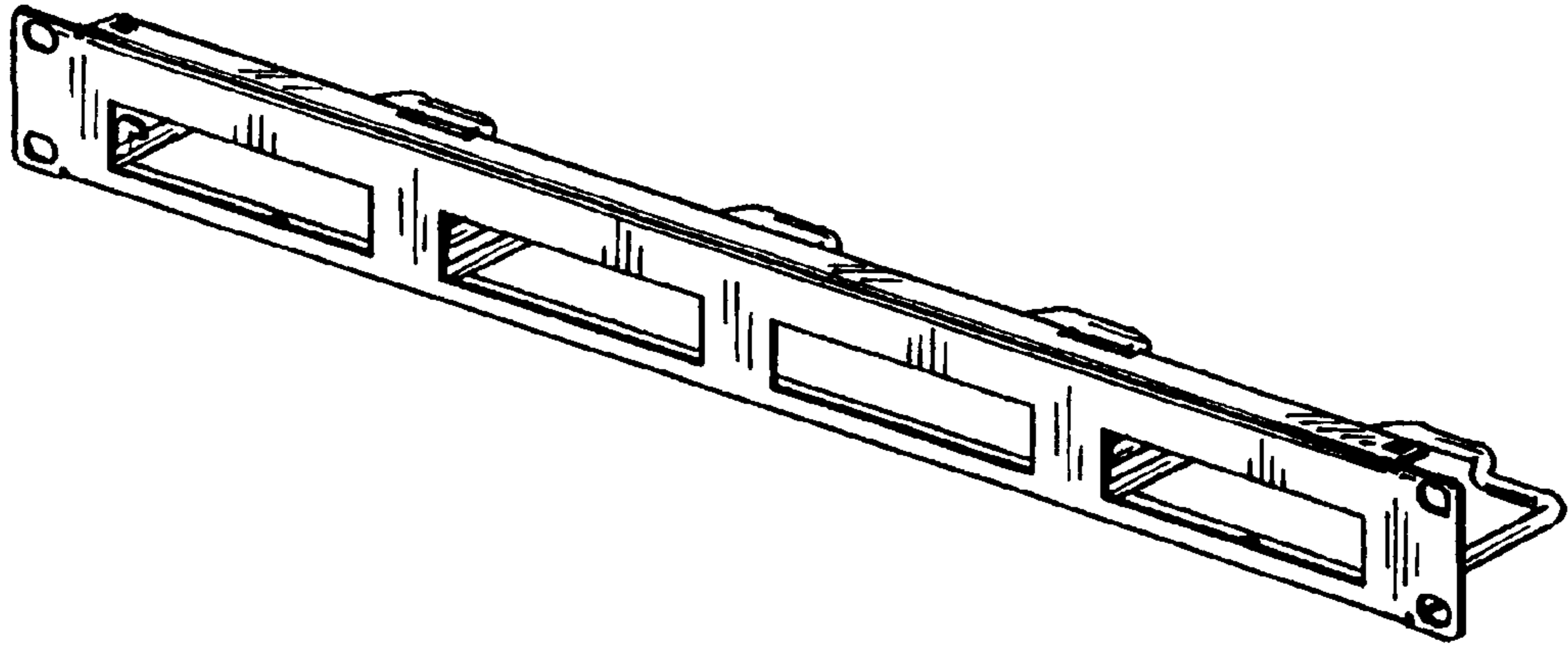


FIG. 8

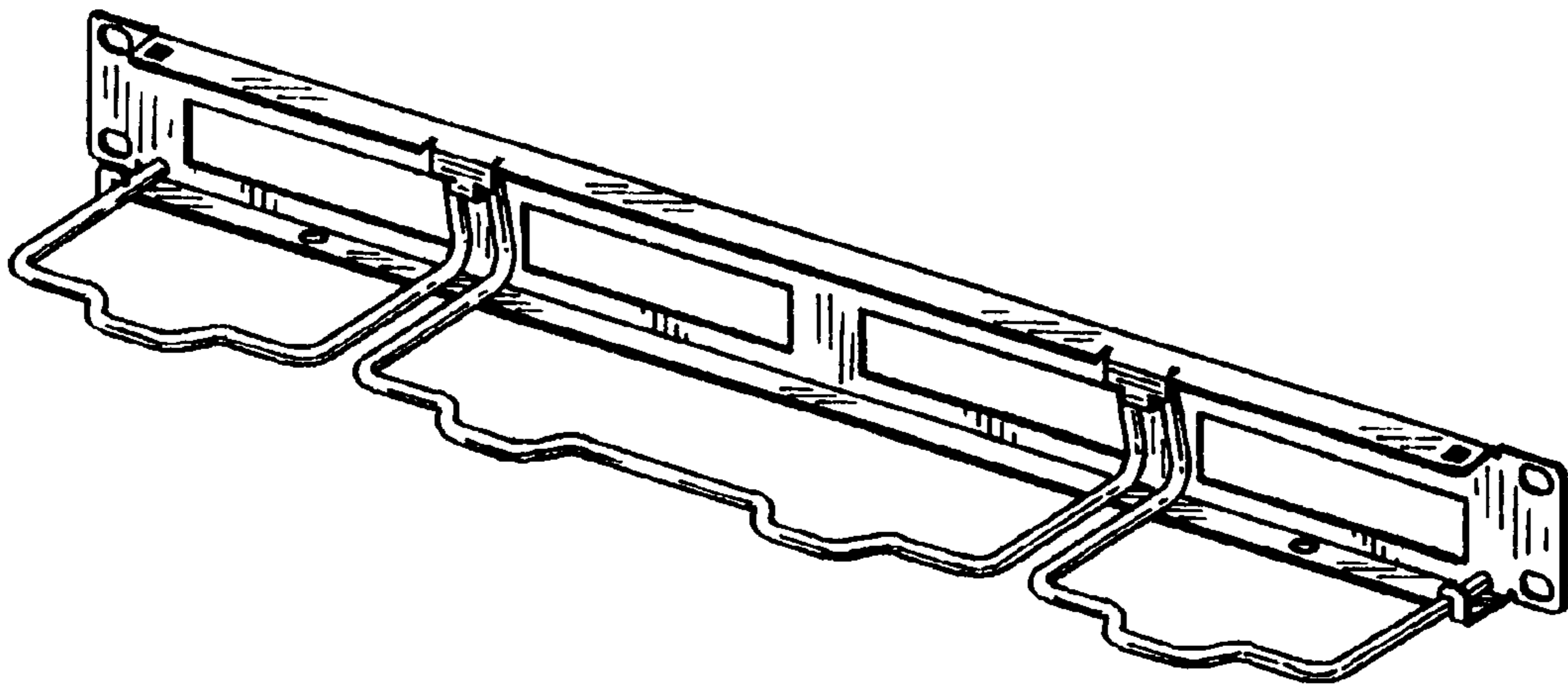


FIG. 9

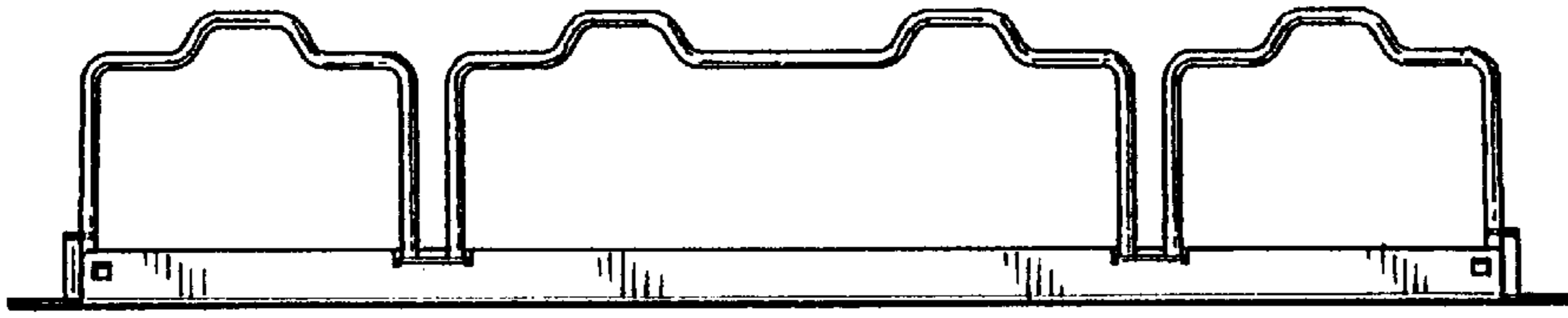


FIG. 12



FIG. 10



FIG. 11

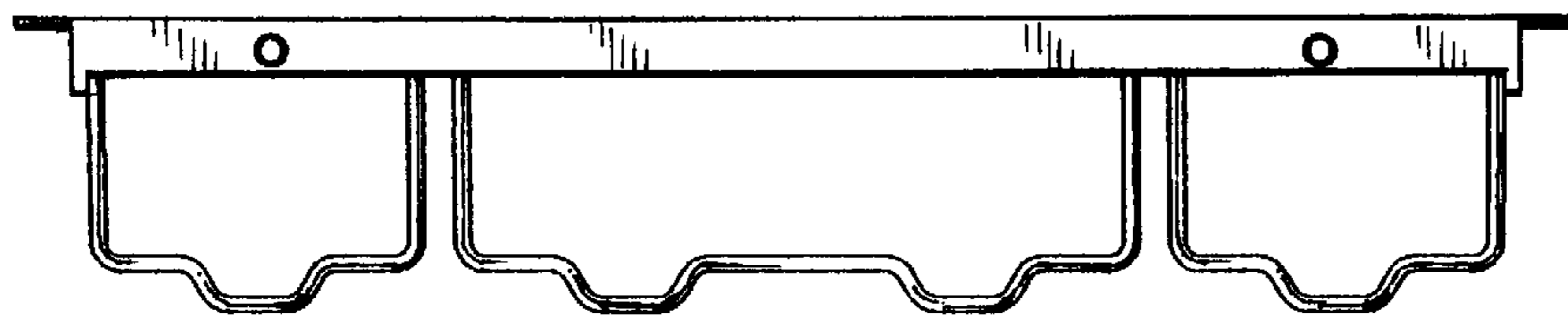


FIG. 13



FIG. 14

UNITED STATES PATENT AND TRADEMARK OFFICE
CERTIFICATE OF CORRECTION

PATENT NO. : Des. 411,514
DATED : Jun. 29, 1999
INVENTOR(S) : Brian Tulley

Page 1 of 6

It is certified that error appears in the above-identified patent and that said Letters Patent is hereby corrected as shown below:

The title page, showing the illustrative figures, should be deleted to appear as per the attached title page.

Delete figs., 1-14, and substitute figs., 1-14, as shown on the attached pages.

Signed and Sealed this
Ninth Day of May, 2000



Q. TODD DICKINSON

Director of Patents and Trademarks

Attest:

Attesting Officer



US00D411514S

United States Patent [19]
Tulley

[11] Patent Number: **Des. 411,514**
[45] Date of Patent: ** **Jun. 29, 1999**

[54] **PATCH PANEL**

[75] Inventor: **Brian Tulley**, Naugatuck, Conn.
[73] Assignee: **The Siemon Company**, Watertown, Conn.
[**] Term: **14 Years**
[21] Appl. No.: **29/074,074**
[22] Filed: **Jul. 24, 1997**
[51] LOC (6) CL **13-03**
[52] U.S. Cl. **D13/154**
[58] Field of Search **D13/133, 154, 162, 173, 184, 199; 361/810, 822, 828, 829; 439/45, 49, 540.1**

[56] **References Cited**

U.S. PATENT DOCUMENTS

D. 318,847	8/1991	Reed	D13/154
D. 359,475	6/1995	Coffey	D13/154
D. 360,189	7/1995	Orlando	D13/154
D. 366,025	1/1996	Siemon et al.	D13/154
5,545,057	8/1996	Tan et al.	439/540.1

Primary Examiner—**Brian N. Vinson**
Attorney, Agent, or Firm—**Cantor Colburn**

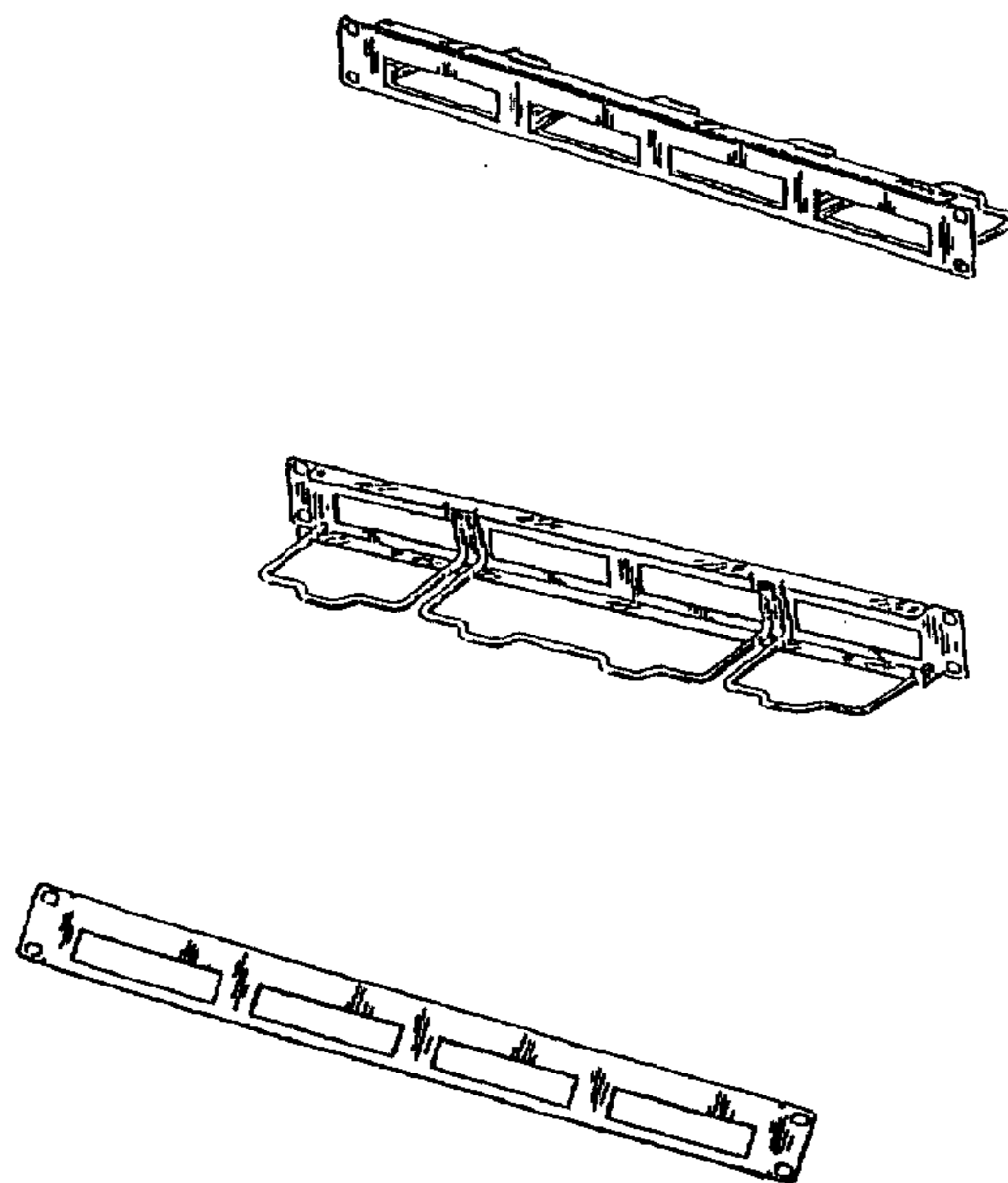
[57] **CLAIM**

The ornamental design for a patch panel, as shown.

DESCRIPTION

FIG. 1 is a perspective view of a patch panel in a first embodiment;
FIG. 2 is a perspective view of the patch panel in the first embodiment;
FIG. 3 is a front view of the patch panel in the first embodiment;
FIG. 4 is a right side view of the patch panel in the first embodiment, the left side view being a mirror image thereof;
FIG. 5 is a top view of the patch panel in the first embodiment;
FIG. 6 is a bottom view of the patch panel in the first embodiment;
FIG. 7 is a rear view of the patch panel in the first embodiment;
FIG. 8 is a perspective view of a patch panel in a second embodiment;
FIG. 9 is a perspective view of the patch panel in the second embodiment;
FIG. 10 is a front view of the patch panel in the second embodiment;
FIG. 11 is a right side view of the patch panel in the second embodiment, the left side view being a mirror image thereof;
FIG. 12 is a top view of the patch panel in the second embodiment;
FIG. 13 is a bottom view of the patch panel in the second embodiment; and,
FIG. 14 is a rear view of the patch panel in the second embodiment.

1 Claim, 4 Drawing Sheets



UNITED STATES PATENT AND TRADEMARK OFFICE
CERTIFICATE OF CORRECTION

PATENT NO. : D411,514

Page 3 of 6

DATED : June 29, 1999

INVENTOR(S) : Tulley

It is certified that error appears in the above-identified patent and that said Letters Patent is hereby corrected as shown below:

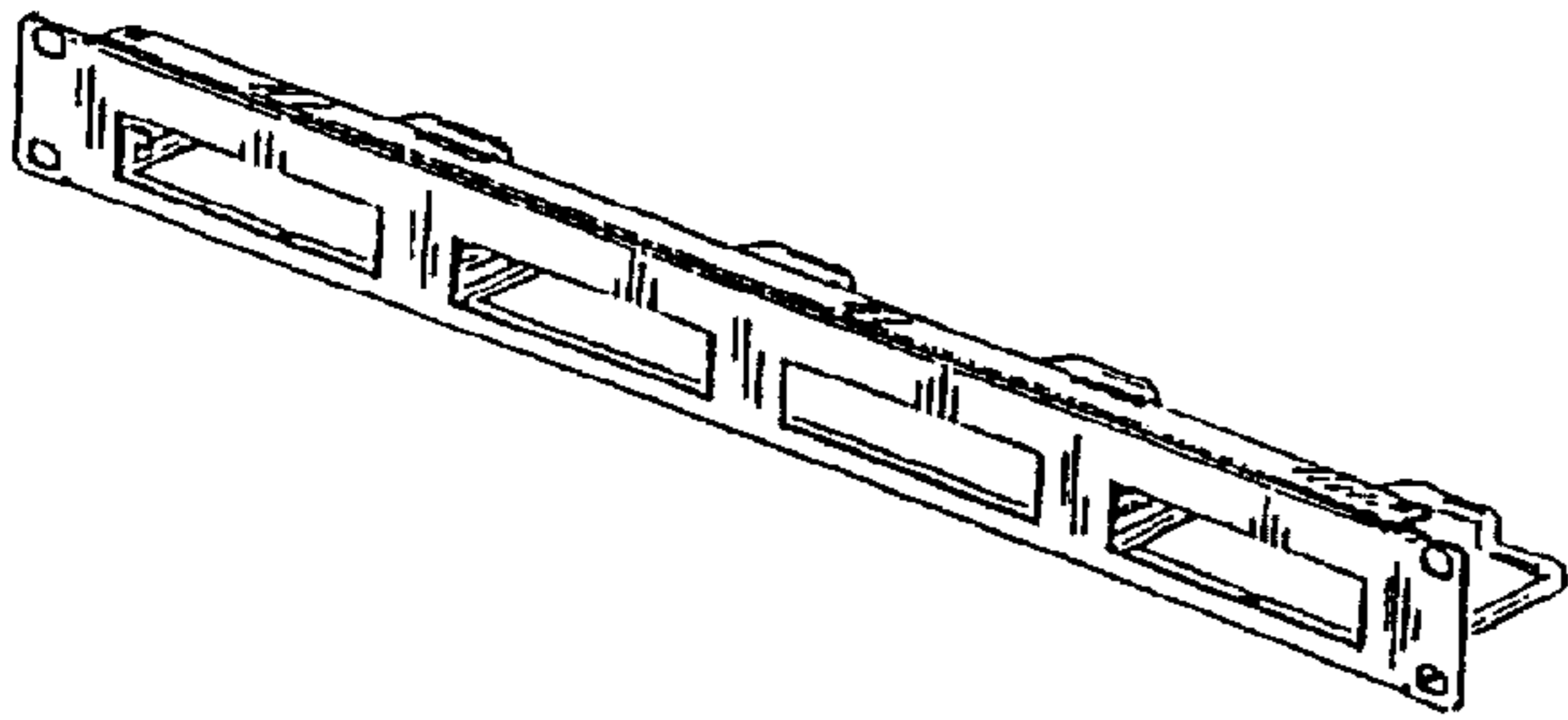


FIG. 1

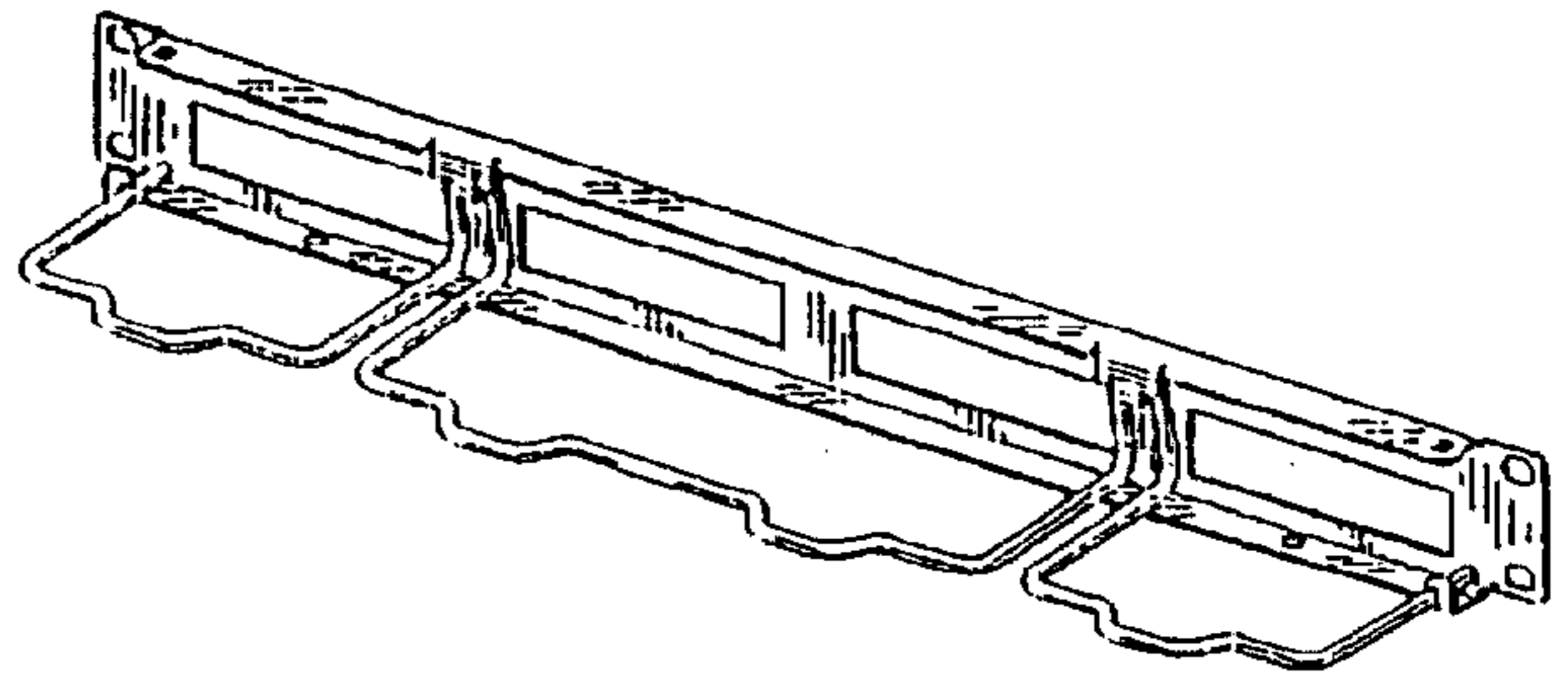


FIG. 2



FIG. 3



FIG. 4

UNITED STATES PATENT AND TRADEMARK OFFICE
CERTIFICATE OF CORRECTION

PATENT NO. : D411,514

Page 4 of 6

DATED : June 29, 1999

INVENTOR(S): Tulley

It is certified that error appears in the above-identified patent and that said Letters Patent is hereby corrected as shown below:

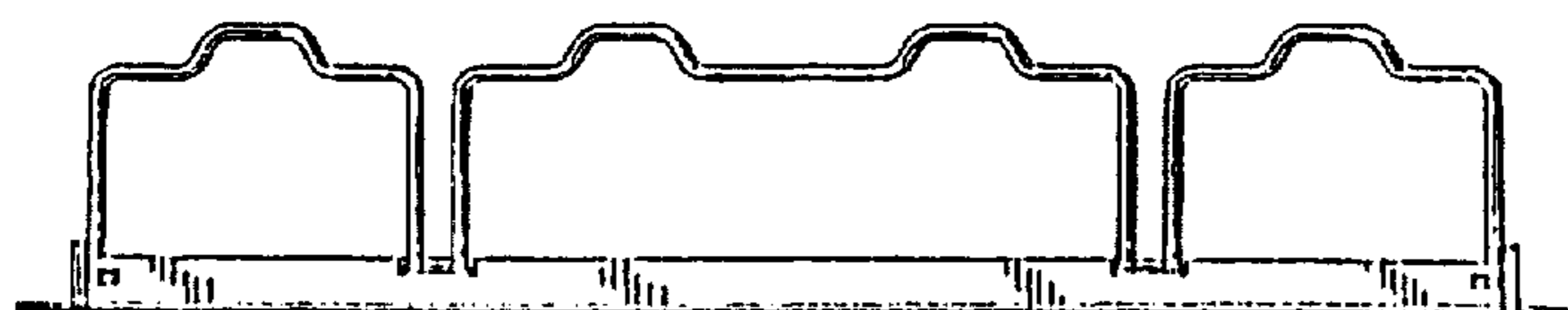


FIG. 5

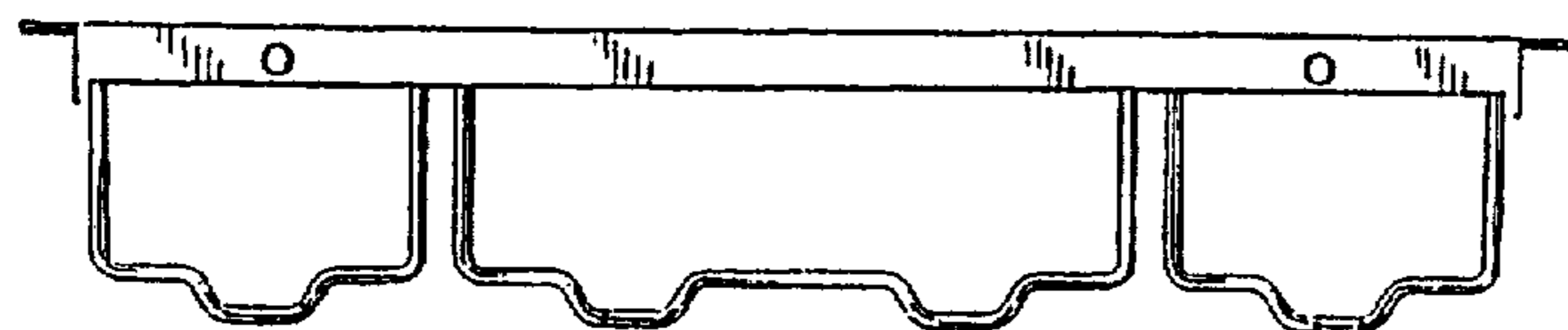


FIG. 6



FIG. 7

UNITED STATES PATENT AND TRADEMARK OFFICE
CERTIFICATE OF CORRECTION

PATENT NO. : D411,514

Page 5 of 6

DATED : June 29, 1999

INVENTOR(S) : Tulley

It is certified that error appears in the above-identified patent and that said Letters Patent is hereby corrected as shown below:

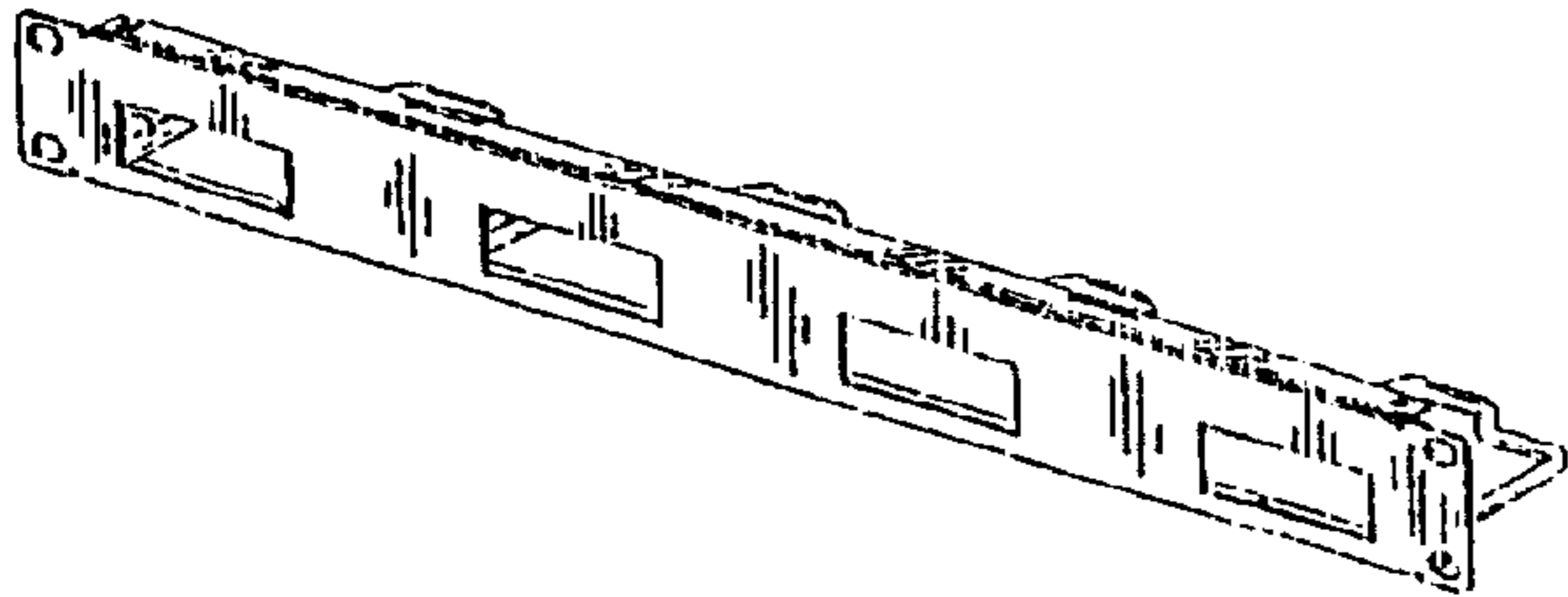


FIG. 8



FIG. 10

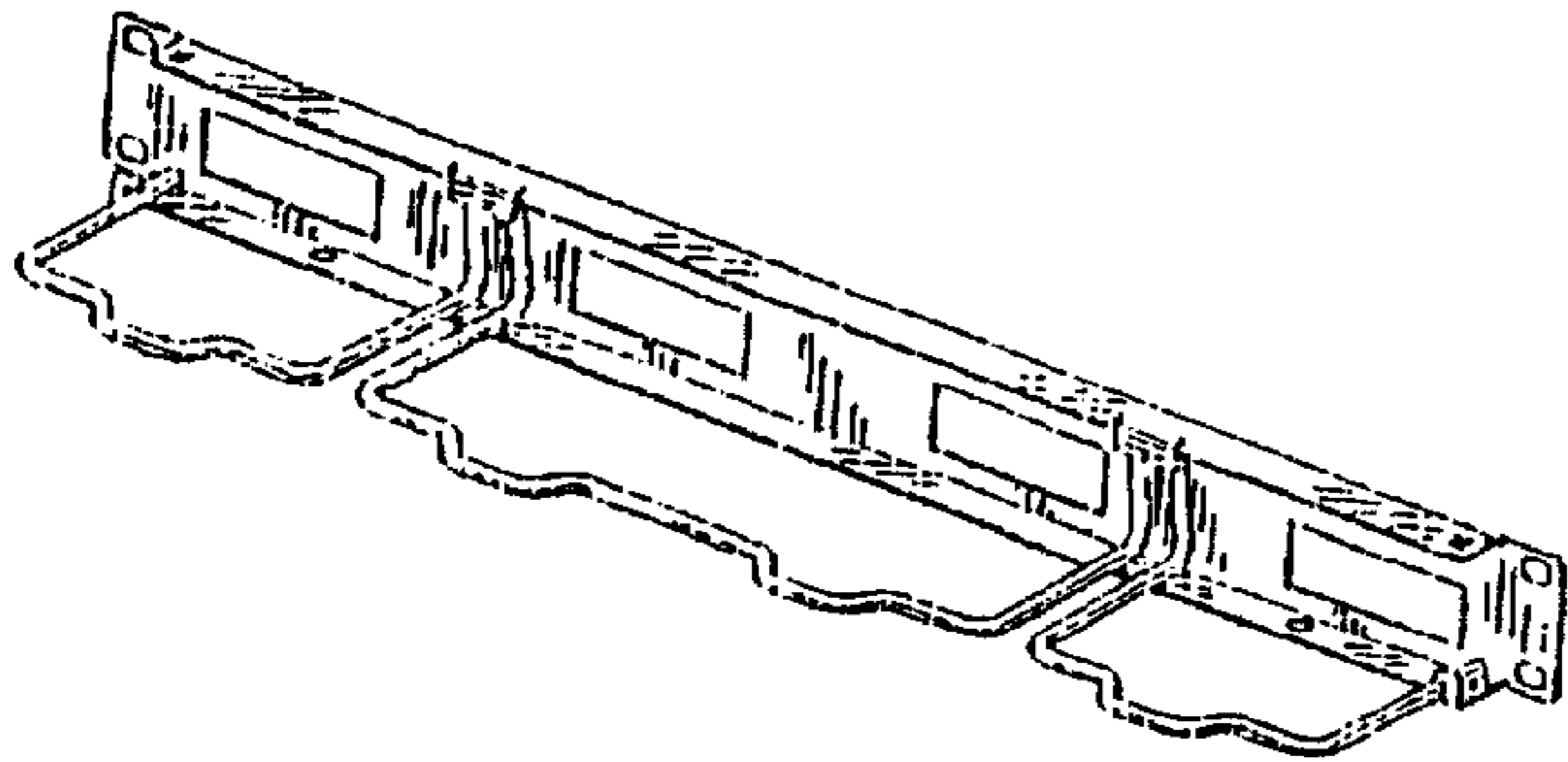


FIG. 9



FIG. 11

UNITED STATES PATENT AND TRADEMARK OFFICE
CERTIFICATE OF CORRECTION

PATENT NO. : D411,514

Page 6 of 6

DATED : June 29, 1999

INVENTOR(S) : Tulley

It is certified that error appears in the above-identified patent and that said Letters Patent is hereby corrected as shown below:

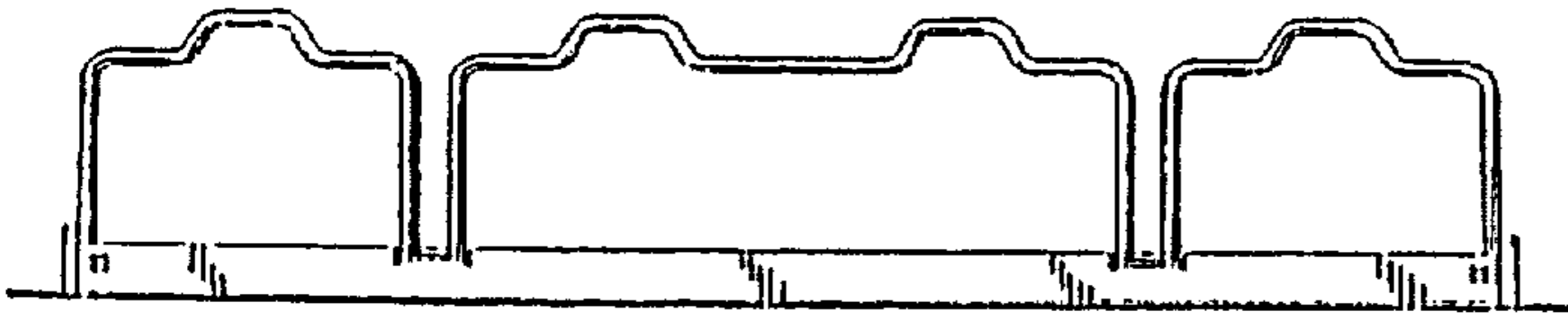


FIG. 12

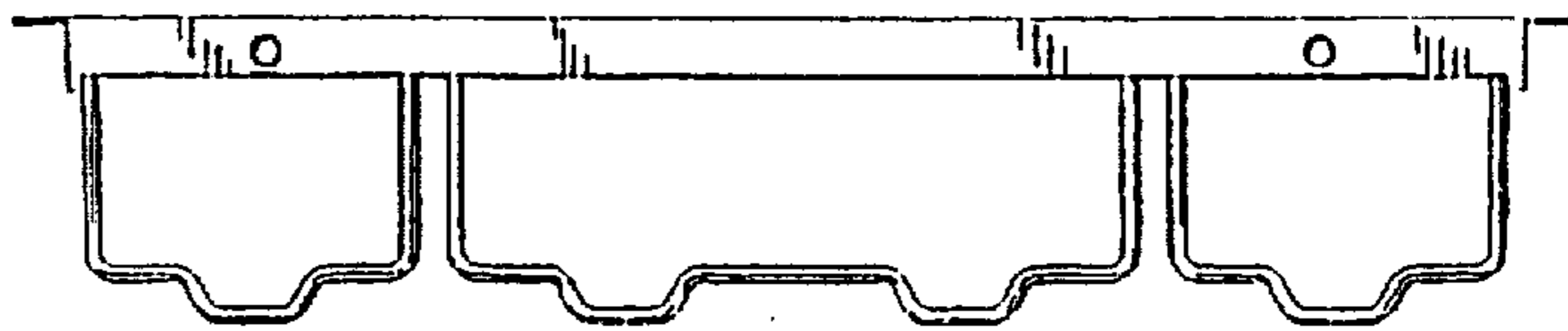


FIG. 13



FIG. 14